

US00D605811S

(12) **United States Design Patent**
Salatto-Rose

(10) **Patent No.:** **US D605,811 S**

(45) **Date of Patent:** **** Dec. 8, 2009**

(54) **LAMP**

D528,695 S * 9/2006 Salatto-Rose D26/93

(75) Inventor: **Darlene Salatto-Rose**, Hickory, NC
(US)

* cited by examiner

Primary Examiner—Brian N Vinson

(73) Assignee: **Robert Abbey Inc.**, Hickory, NC (US)

(74) *Attorney, Agent, or Firm*—Alston & Bird LLP

(**) Term: **14 Years**

(57) **CLAIM**

(21) Appl. No.: **29/328,994**

The ornamental design for a lamp, as shown and described.

(22) Filed: **Dec. 5, 2008**

DESCRIPTION

(51) **LOC (9) Cl.** **23-03**

(52) **U.S. Cl.** **D26/94**

(58) **Field of Classification Search** D26/1,
D26/24, 67, 93-94, 101, 104-110, 113, 118;
362/3, 153, 186, 217, 255, 257, 277, 317,
362/351, 353, 362, 363, 382, 431, 433, 458,
362/806; D11/157, 160; 27/1

See application file for complete search history.

FIG. 1 is a perspective front view of a lamp showing my new design;

FIG. 2 is a front elevational view thereof;

FIG. 3 is a rear elevational view thereof;

FIG. 4 is a side elevational view thereof, the opposite side being a mirror image of that shown;

FIG. 5 is a top plan view thereof; and,

FIG. 6 is a bottom plan view thereof.

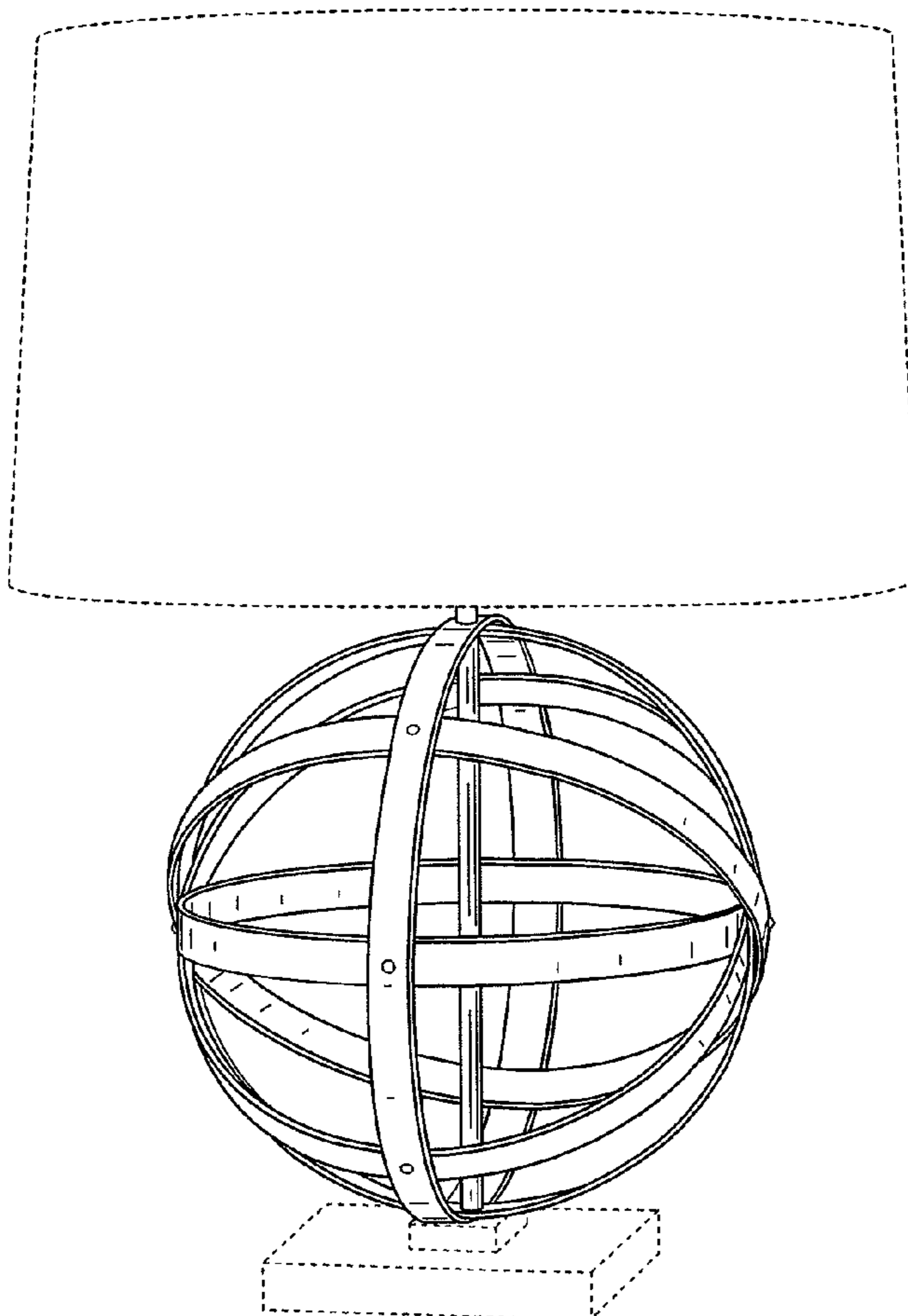
The broken line disclosure in the views is understood to represent portions of the article in which the claimed design is embodied, but which forms no part of the claimed design.

(56) **References Cited**

U.S. PATENT DOCUMENTS

- D345,024 S * 3/1994 Fox D26/93
- D347,196 S * 5/1994 Boyd et al. D11/157
- 6,854,165 B1 * 2/2005 Parker 27/1

1 Claim, 6 Drawing Sheets



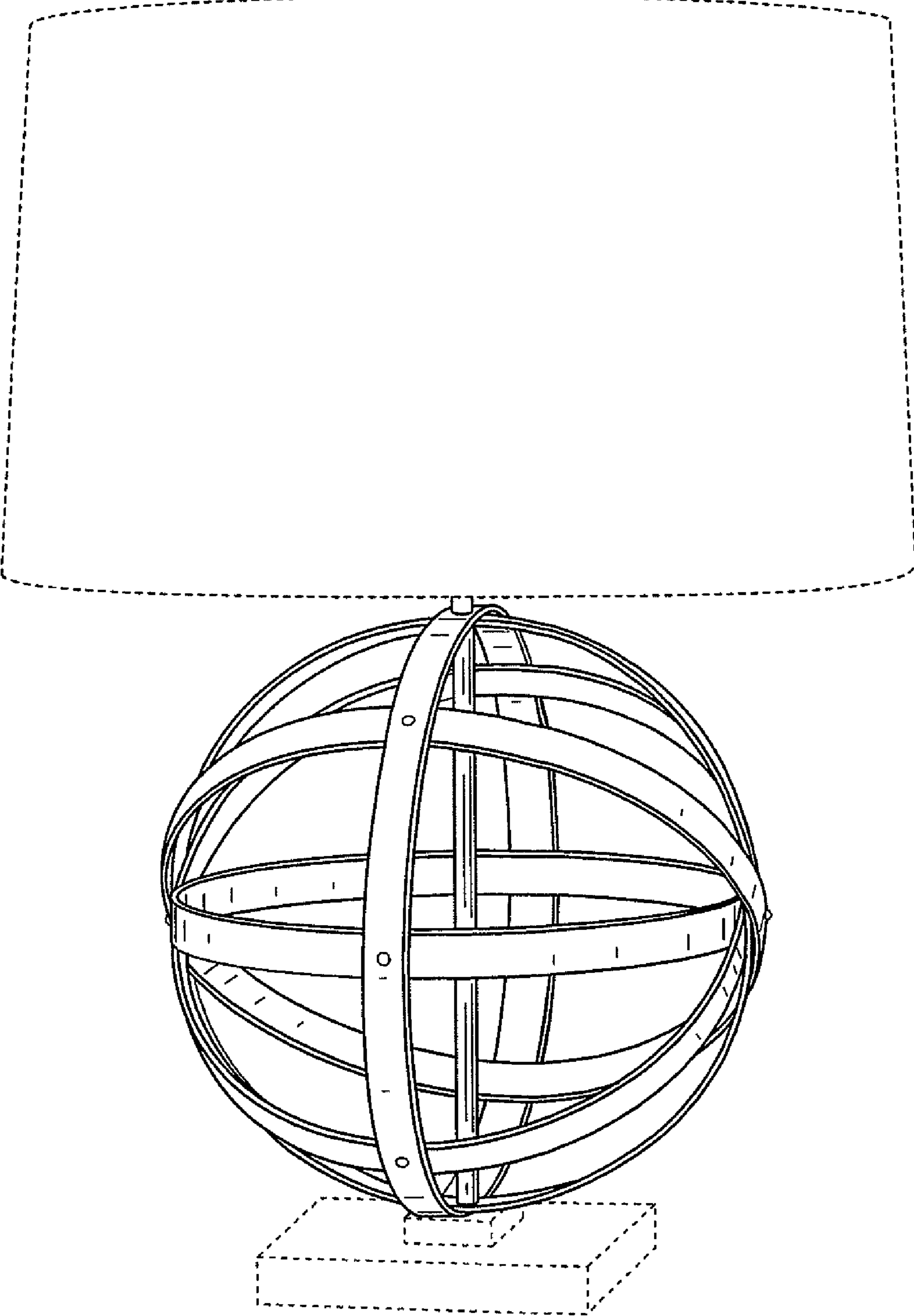


FIG. 1

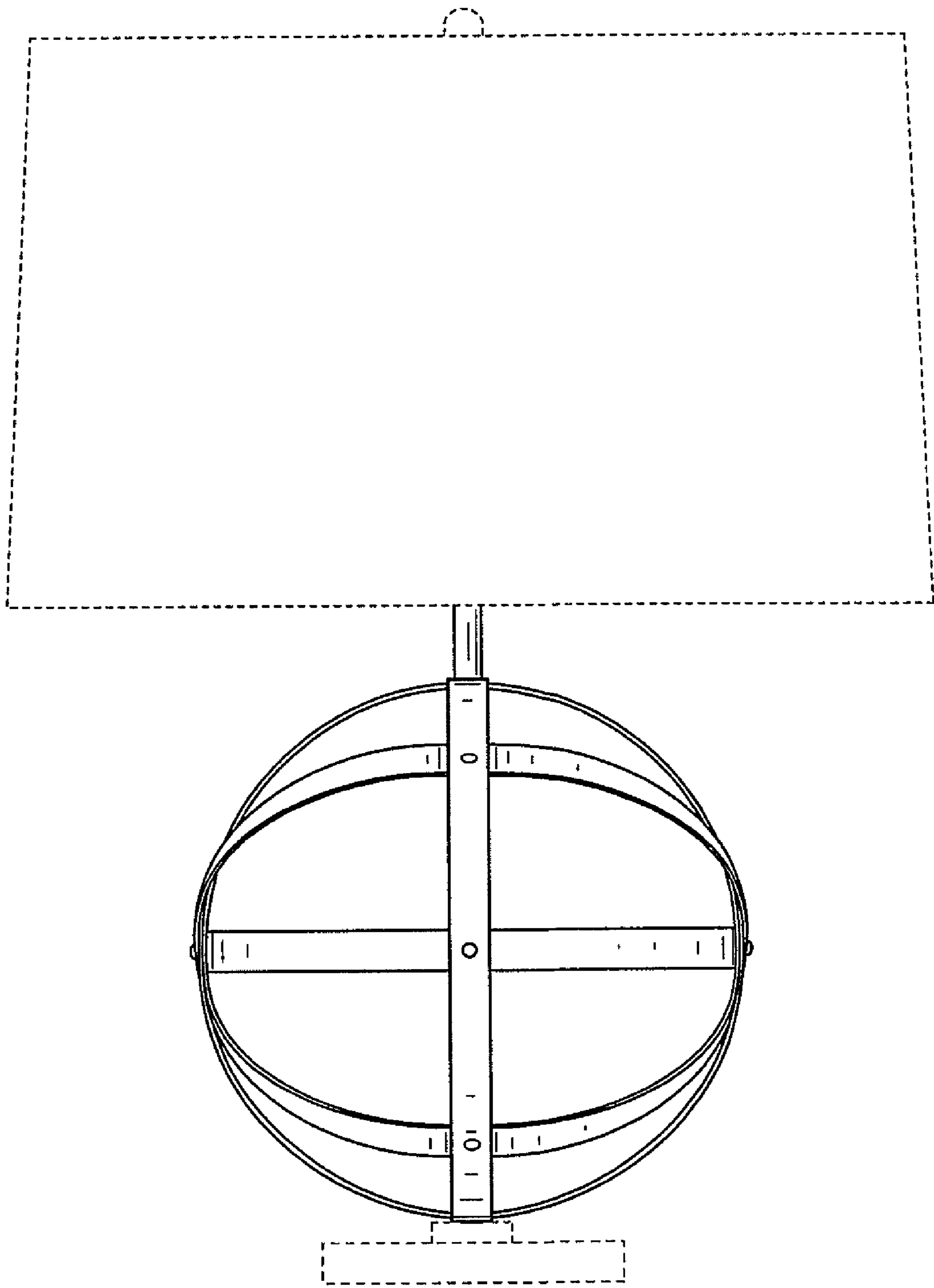


FIG. 2

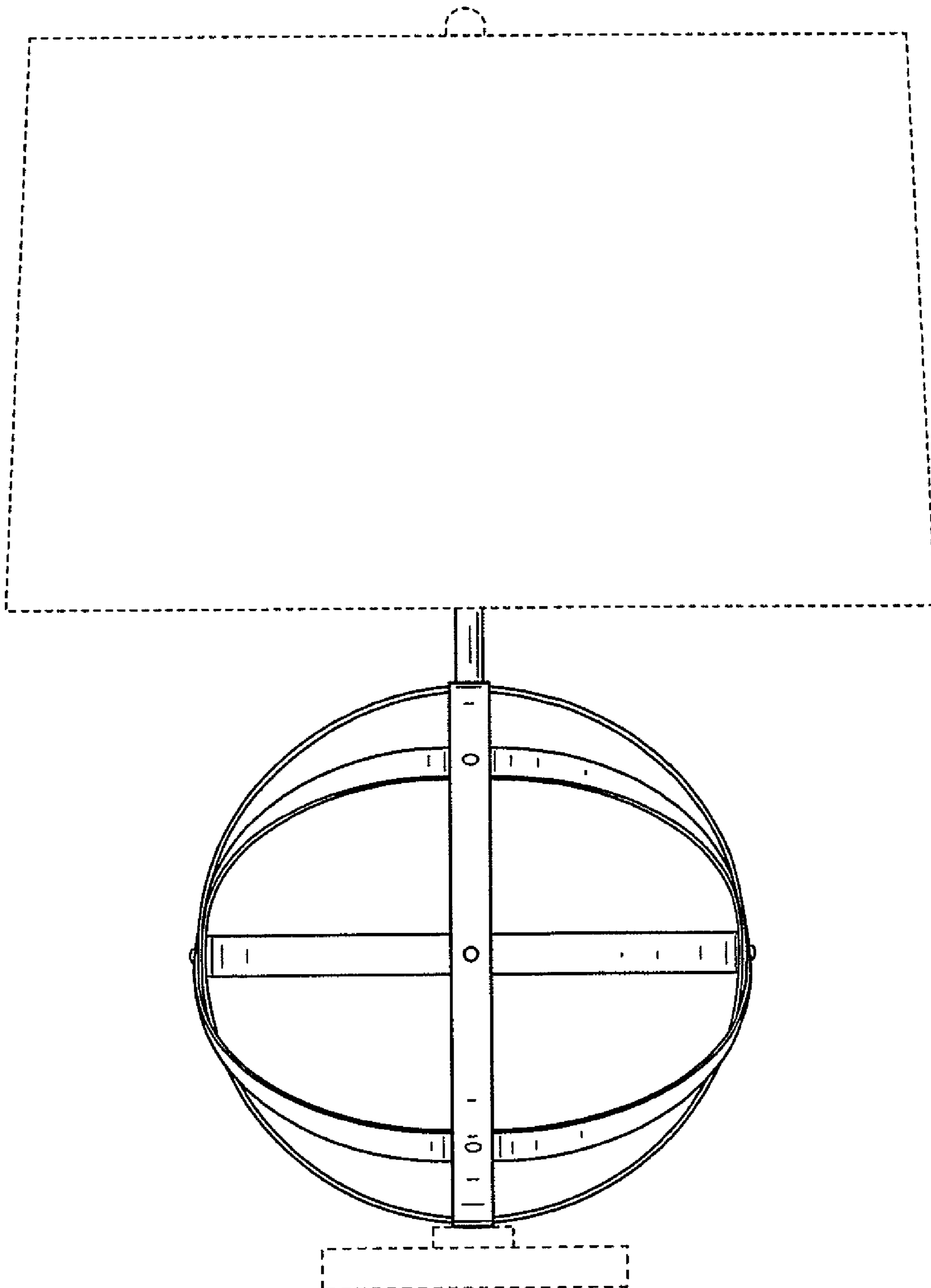


FIG. 3

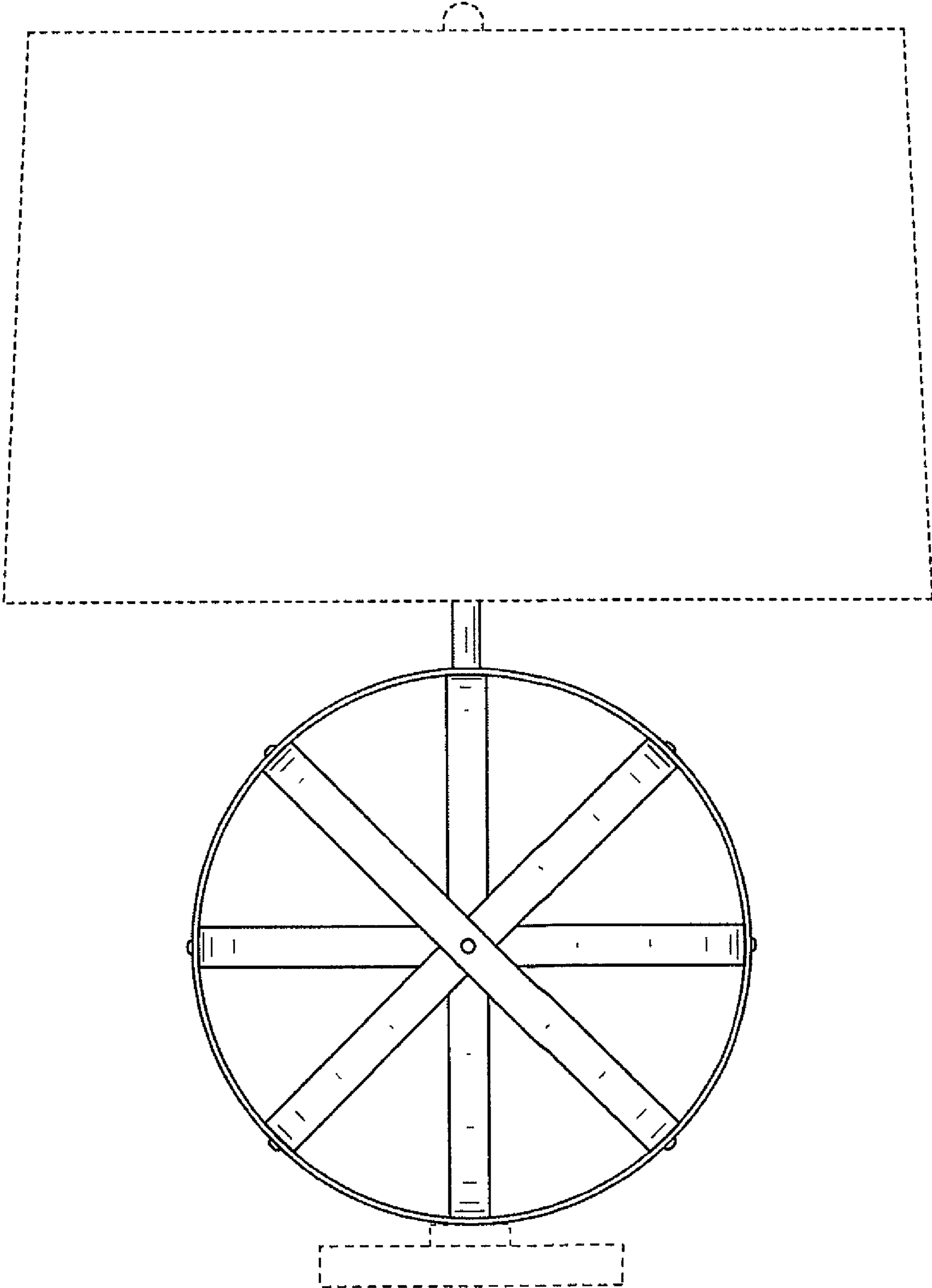


FIG. 4

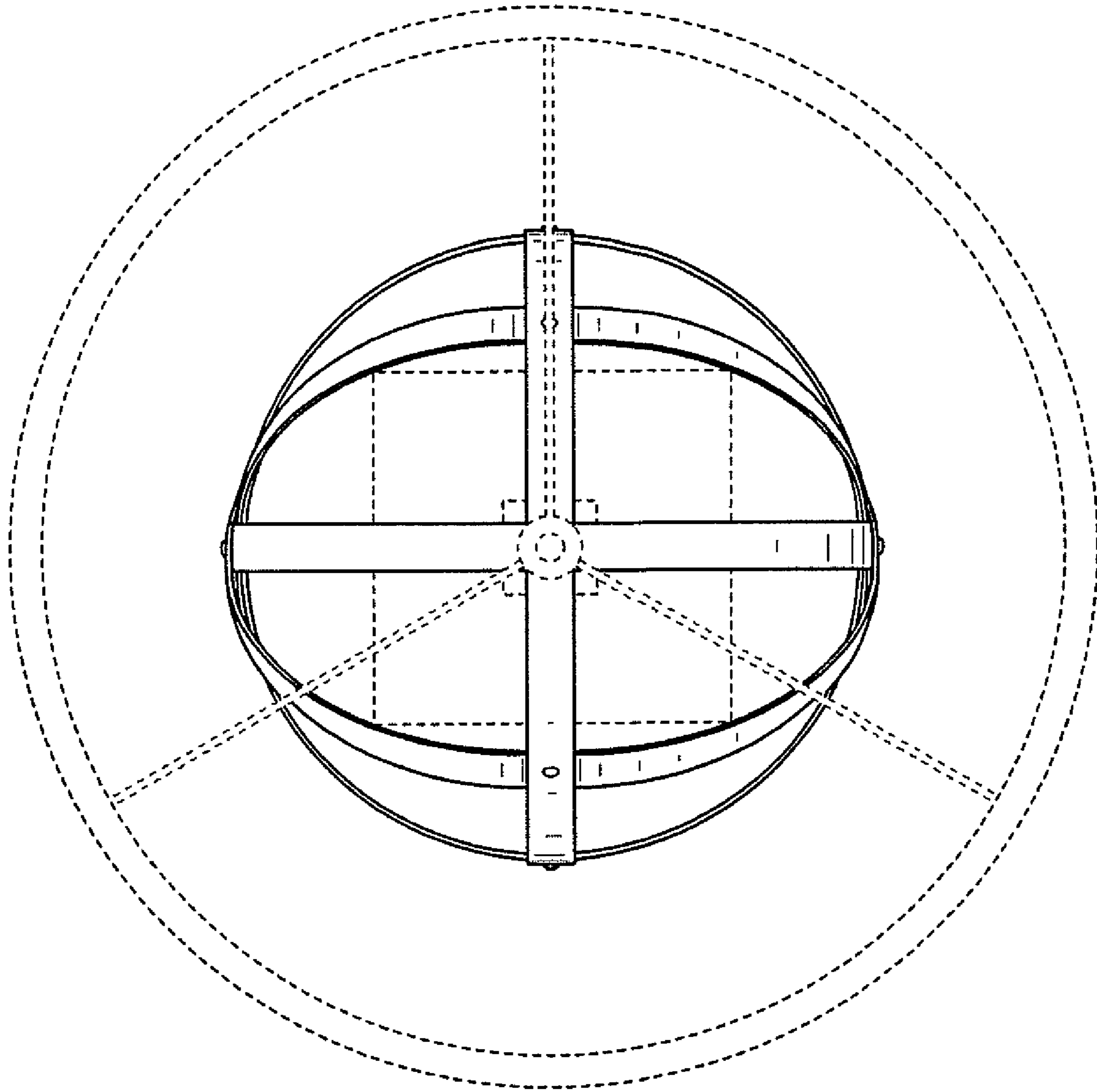


FIG. 5

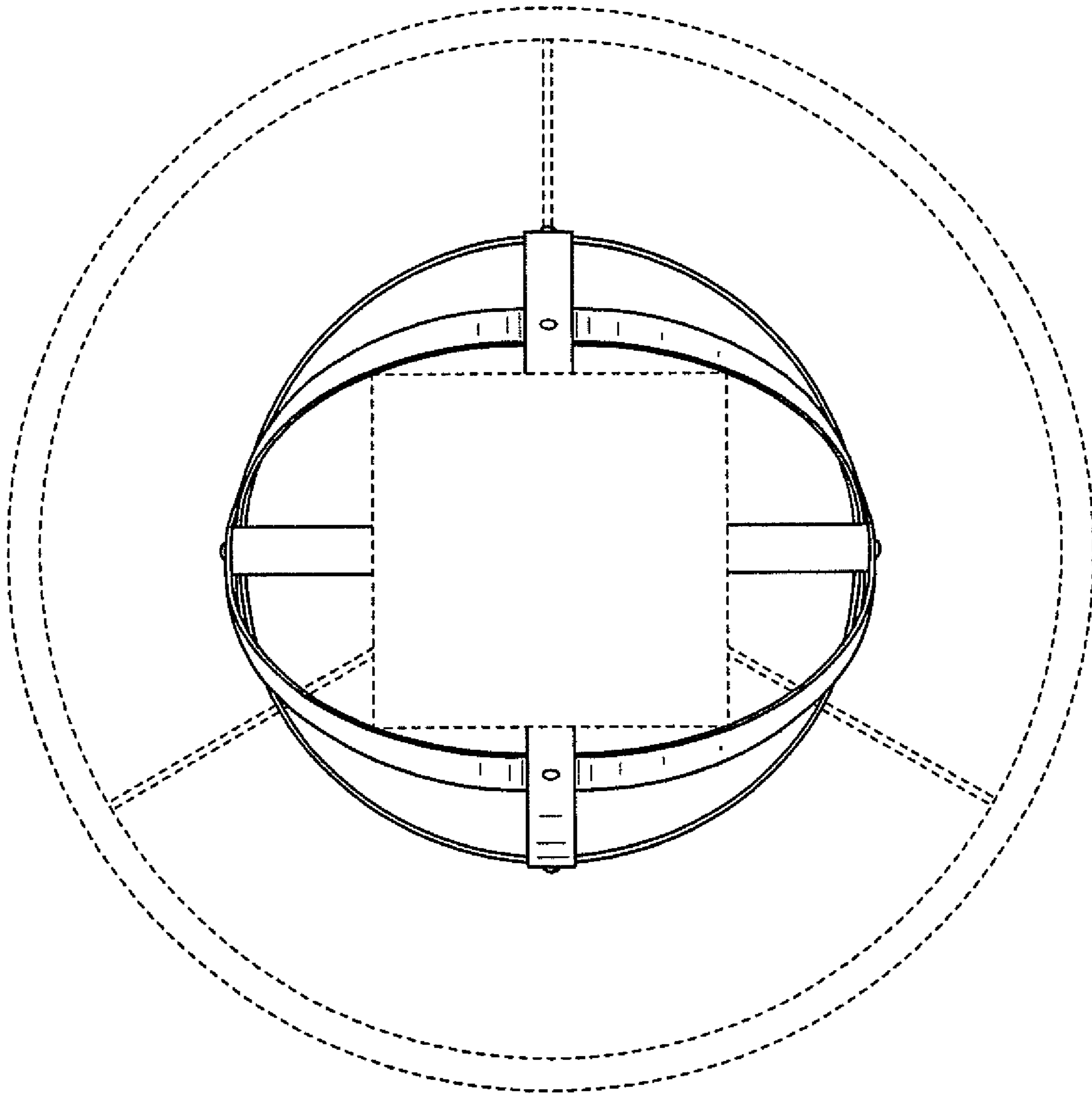


FIG. 6