



US00D605809S

(12) **United States Design Patent**  
**Noh**

(10) **Patent No.:** **US D605,809 S**  
(45) **Date of Patent:** **\*\* Dec. 8, 2009**

(54) **CEILING LIGHT**

(75) Inventor: **Si Chung Noh**, 624-8, Seogu-ri,  
Gwangjeok-myeon, Yangju-si,  
Gyeonggi-do (KR)

(73) Assignee: **Si Chung Noh (KR)**

(\*\*) Term: **14 Years**

(21) Appl. No.: **29/310,252**

(22) Filed: **Aug. 4, 2008**

(30) **Foreign Application Priority Data**

Feb. 4, 2008 (KR) ..... 30-2008-0005126

(51) **LOC (9) Cl.** ..... **26-03**

(52) **U.S. Cl.** ..... **D26/76**

(58) **Field of Classification Search** ..... D26/24-28,  
D26/37, 67, 71, 74-78, 80, 85, 89, 104, 108,  
D26/118, 120-122, 138; 362/132, 145, 147-150,  
362/157, 217-225, 228, 260, 262-264, 267,  
362/310, 345, 364, 365, 368, 432, 440  
See application file for complete search history.

(56) **References Cited**

**U.S. PATENT DOCUMENTS**

4,246,629	A *	1/1981	Marrero	.....	362/147
5,333,124	A *	7/1994	Kikuchi et al.	.....	369/13.2
D388,395	S *	12/1997	Henrici	.....	D13/134
5,905,329	A *	5/1999	Thomas et al.	.....	313/318.01
6,176,594	B1 *	1/2001	Yarconi	.....	362/222
6,652,119	B1 *	11/2003	Barton	.....	362/225
D493,425	S *	7/2004	Henrici et al.	.....	D13/134
6,802,626	B2 *	10/2004	Belfer et al.	.....	362/249
6,880,952	B2 *	4/2005	Kiraly et al.	.....	362/218
7,165,863	B1 *	1/2007	Thomas et al.	.....	362/219

7,465,063	B2 *	12/2008	Stillman	.....	362/225
2003/0021110	A1 *	1/2003	Noh	.....	362/217
2003/0223232	A1 *	12/2003	Belfer et al.	.....	362/219

\* cited by examiner

*Primary Examiner*—Philip S Hyder  
*Assistant Examiner*—Susan E Krakower

(74) *Attorney, Agent, or Firm*—Finnegan, Henderson,  
Farabow, Garrett & Dunner, LLP

(57) **CLAIM**

The ornamental design for a ceiling light, as shown and described.

**DESCRIPTION**

FIG. 1 is a perspective view of the “ceiling light” showing a new design;

FIG. 2 is a front view thereof;

FIG. 3 is a rear view thereof;

FIG. 4 is a left-side view thereof;

FIG. 5 is a right-side view thereof;

FIG. 6 is a top plan view thereof;

FIG. 7 is a bottom view thereof;

FIG. 8 is a partial enlarged left portion of the perspective view thereof;

FIG. 9 is a partial enlarged left portion of the front view thereof; and,

FIG. 10 is a partial enlarged left portion of the rear view thereof.

The broken lines show environmental subject matter and form no part of the claimed design.

**1 Claim, 8 Drawing Sheets**

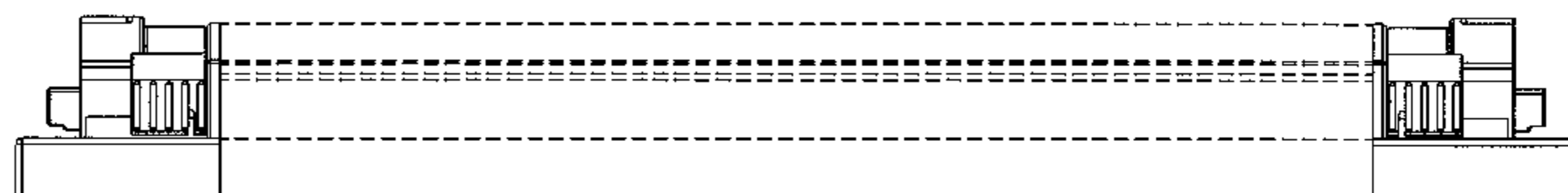
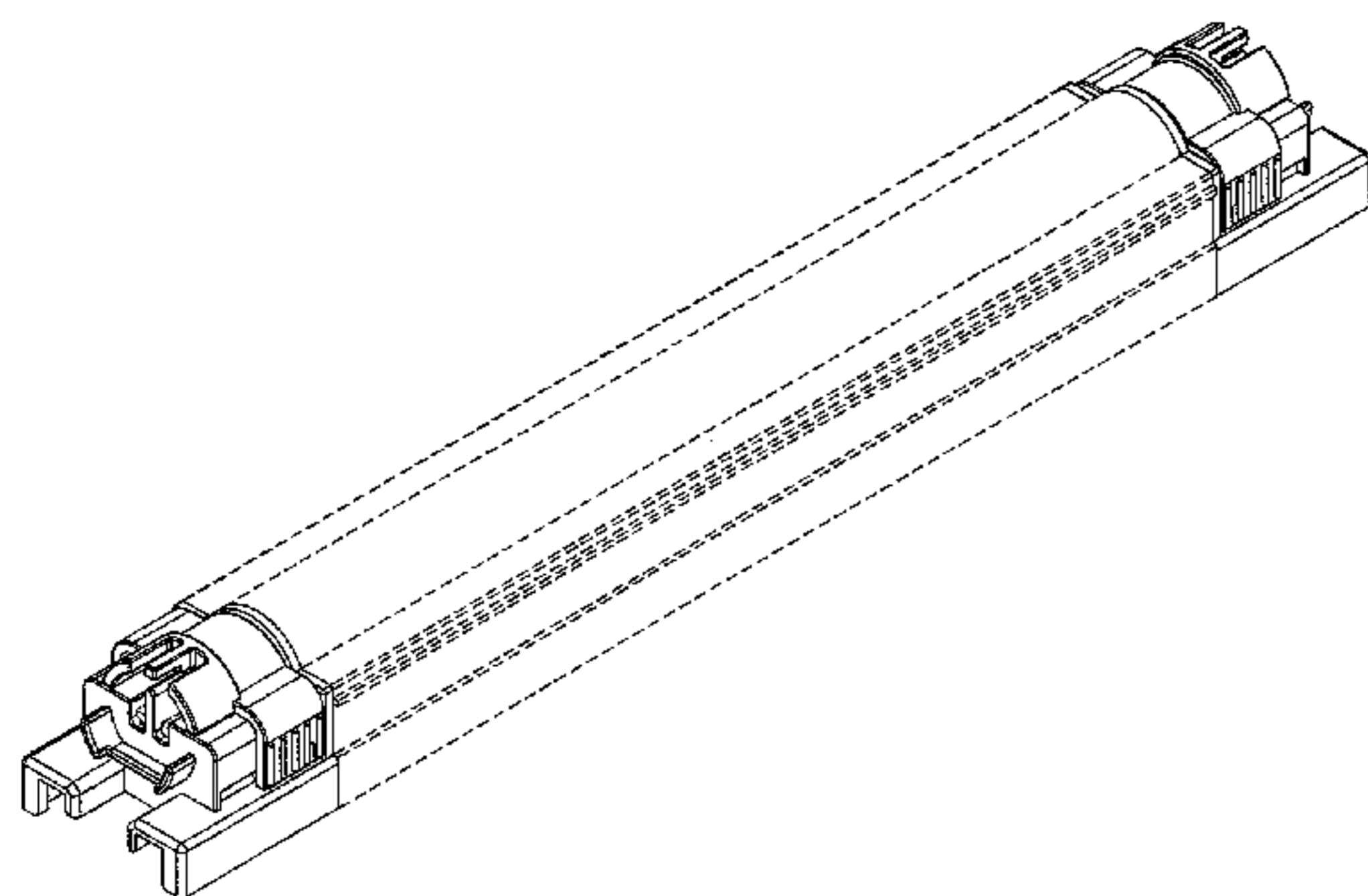


FIG. 1

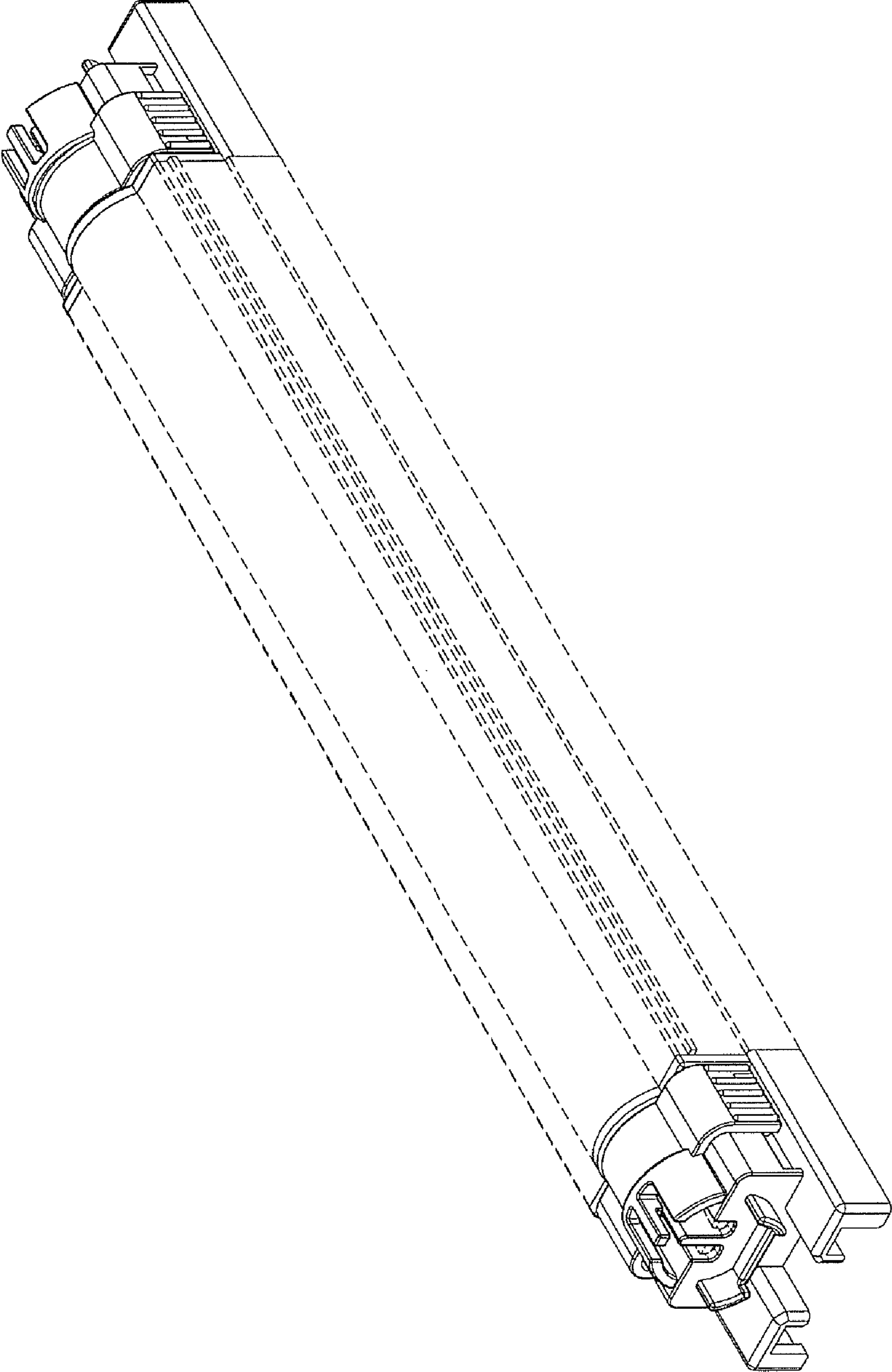


FIG. 2

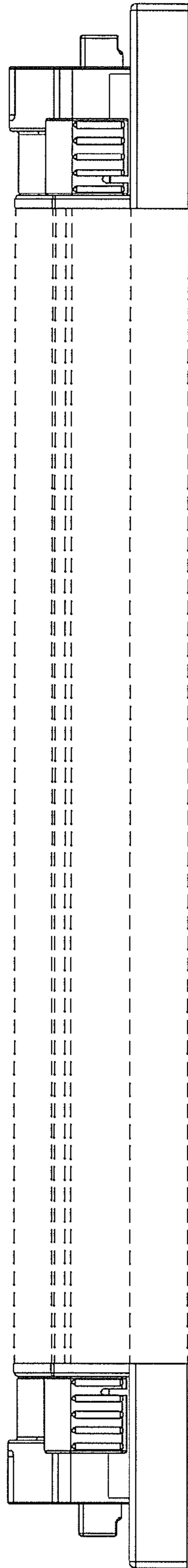


FIG. 3

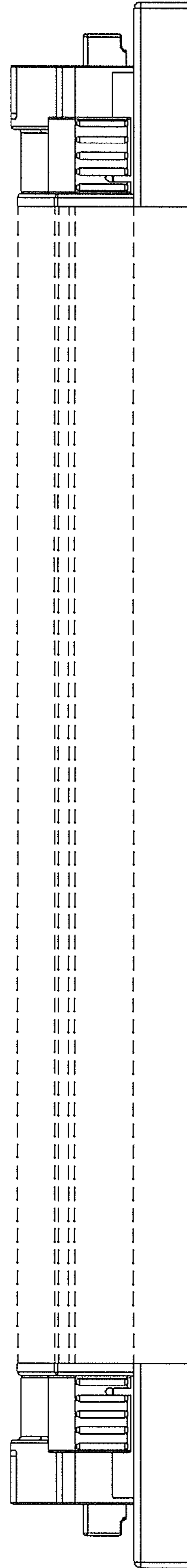


FIG. 4

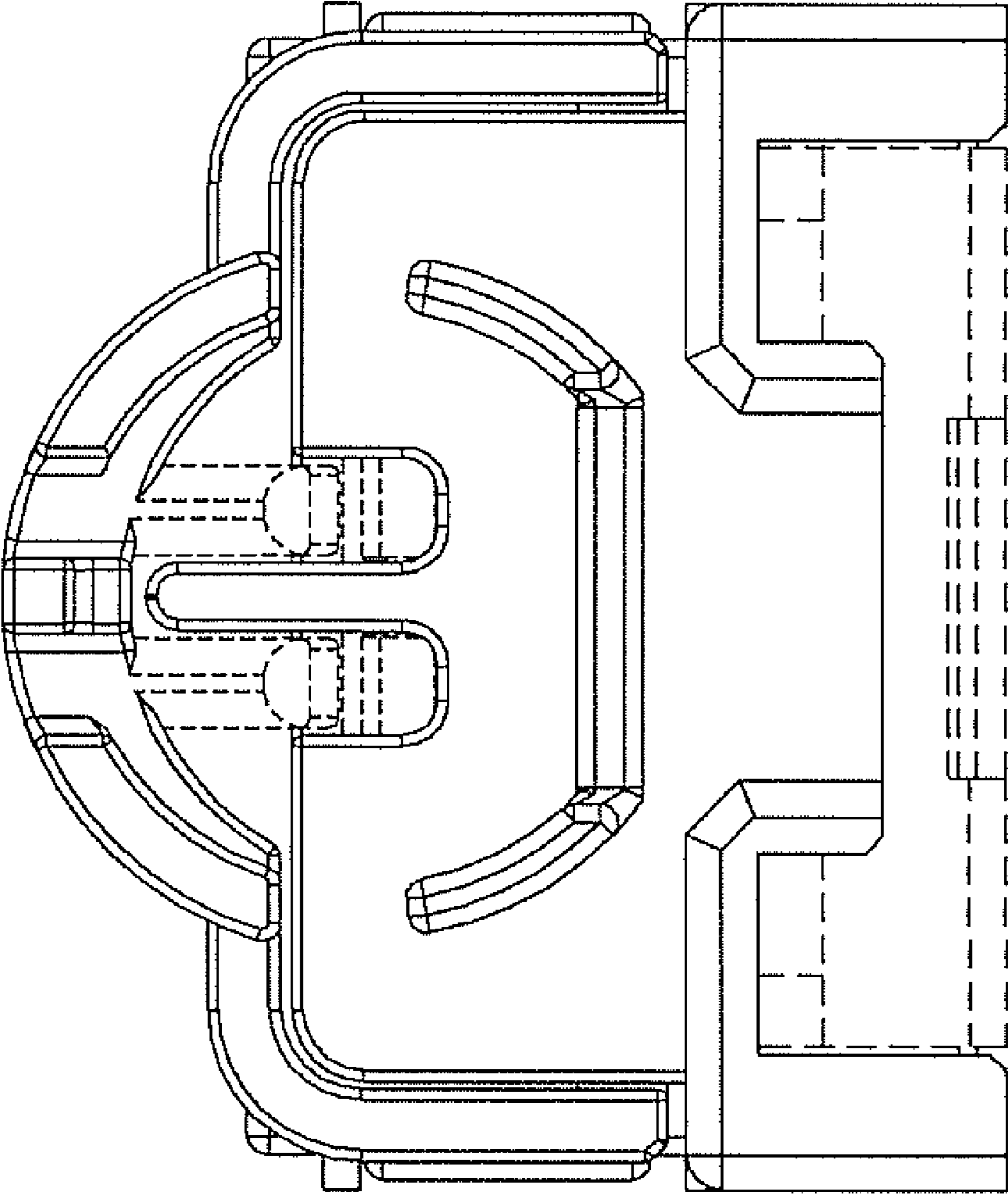


FIG. 5

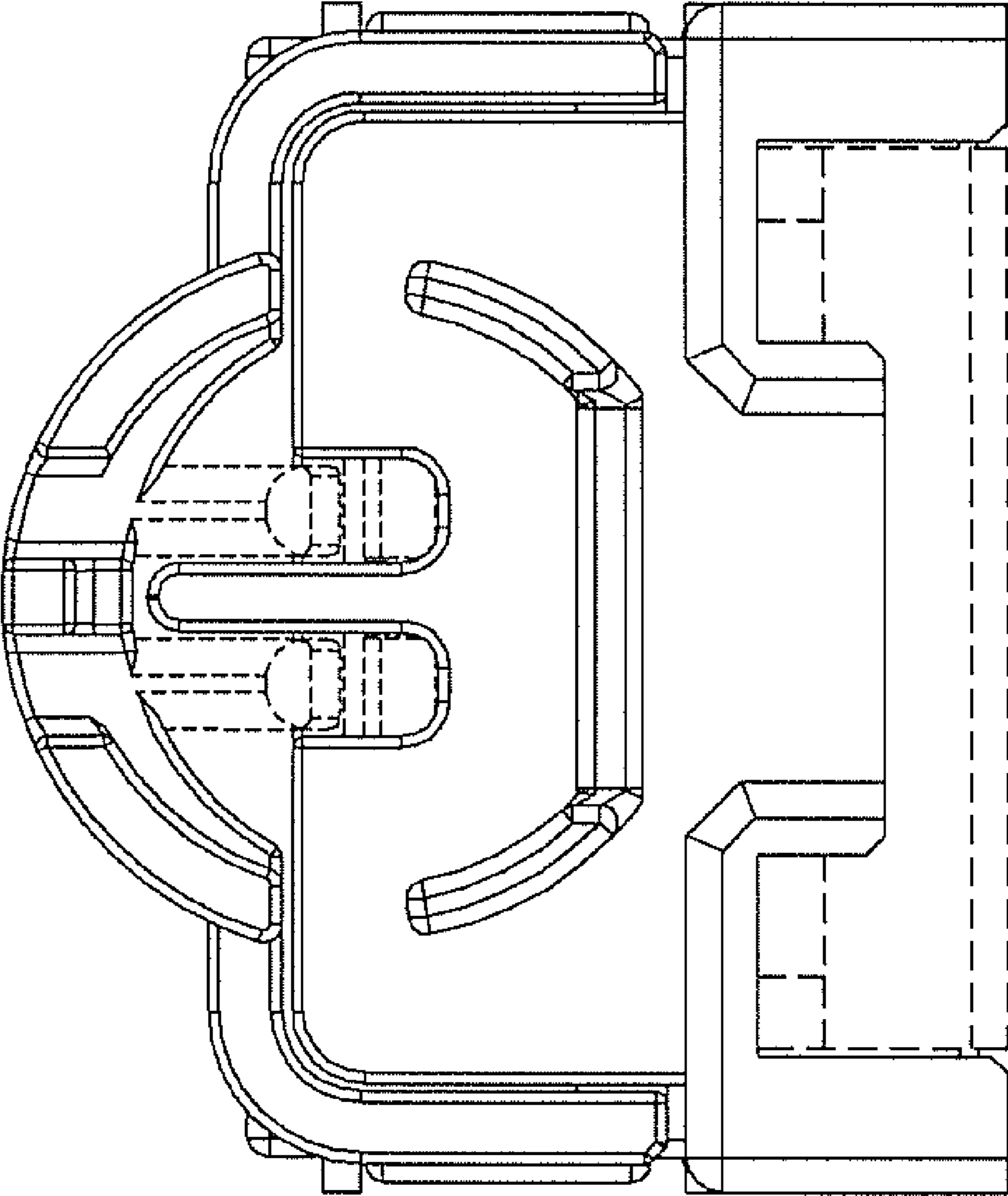


FIG. 6

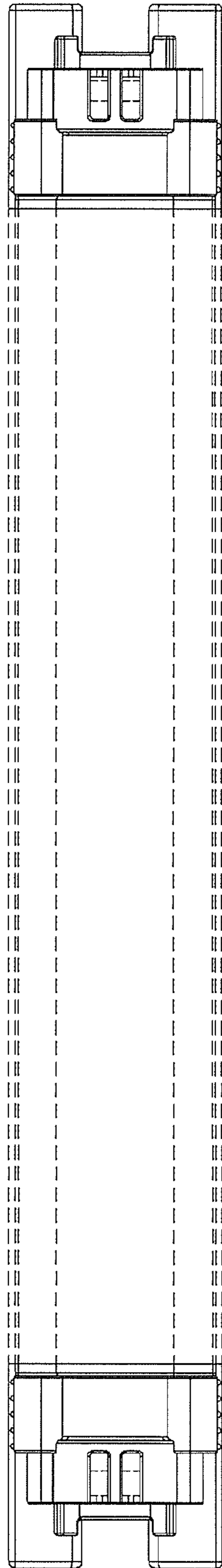


FIG. 7

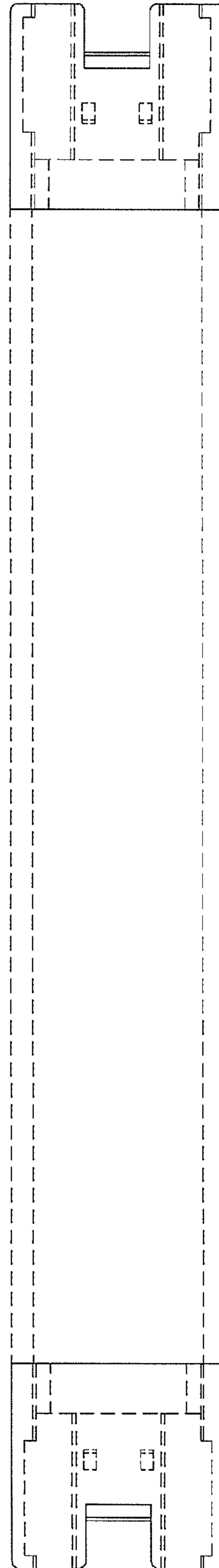




FIG. 8

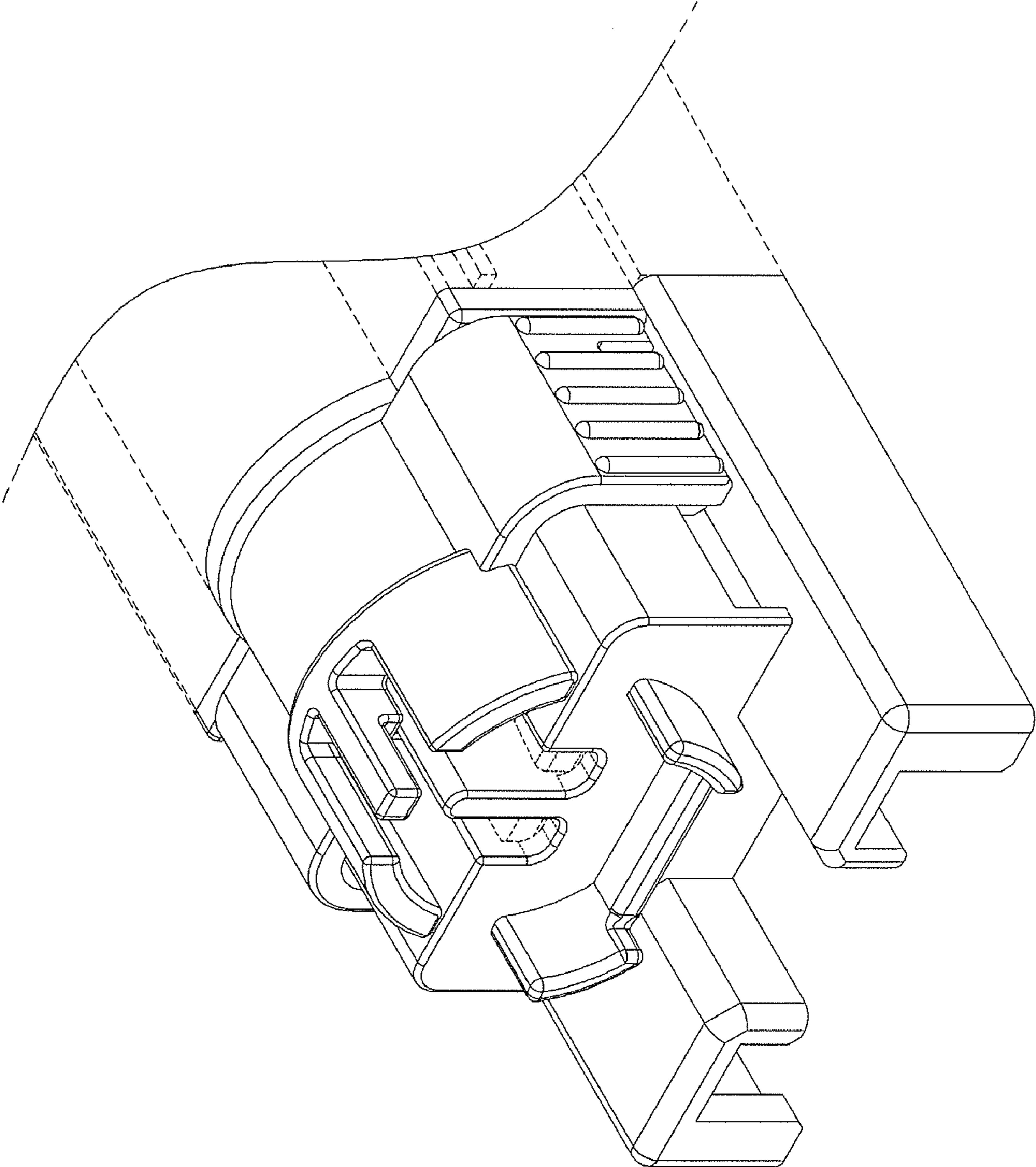


FIG. 9

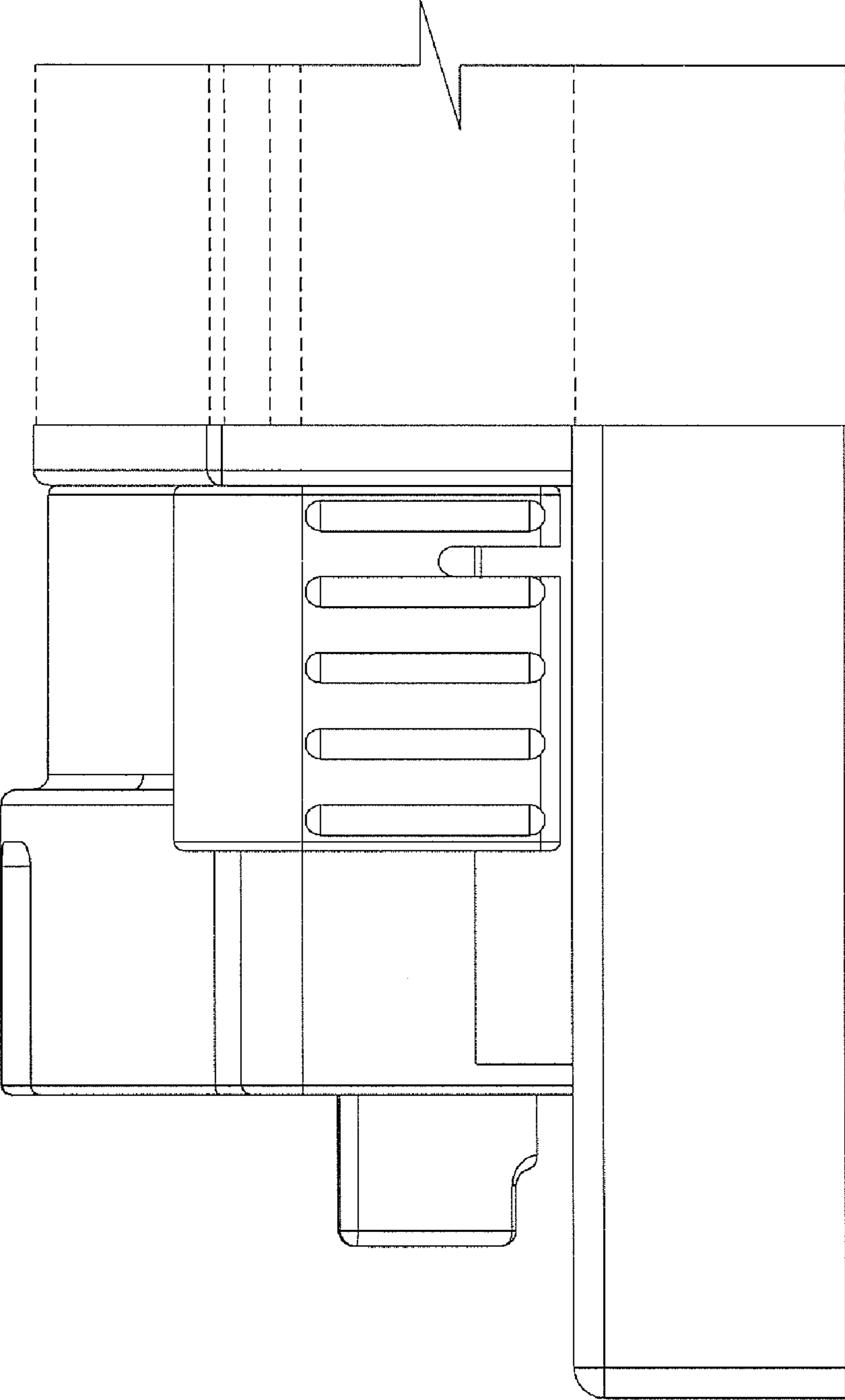




FIG. 10

