



US00D605805S

(12) **United States Design Patent**  
**Chen**

(10) **Patent No.:** **US D605,805 S**

(45) **Date of Patent:** **\*\* Dec. 8, 2009**

(54) **SOLAR POWERED OUTDOOR LIGHT**

(75) **Inventor:** **Chi Gon Chen**, Guang Zhou (CN)

(73) **Assignee:** **International Development LLC**,  
Roanoke, TX (US)

(\*\*) **Term:** **14 Years**

(21) **Appl. No.:** **29/336,679**

(22) **Filed:** **May 7, 2009**

(51) **LOC (9) Cl.** ..... **23-05**

(52) **U.S. Cl.** ..... **D26/67**

(58) **Field of Classification Search** ..... D26/67-71,  
D26/85; 362/152, 153, 153.1, 180, 183,  
362/431, 653

See application file for complete search history.

(56) **References Cited**

**U.S. PATENT DOCUMENTS**

D509,613 S *	9/2005	Sooferian	.....	D26/67
D518,219 S *	3/2006	Bucher et al.	.....	D26/67
D532,141 S *	11/2006	Chen	.....	D26/67
D533,294 S *	12/2006	Chen	.....	D26/67
D556,931 S *	12/2007	Sooferian	.....	D26/68
D556,932 S *	12/2007	Sooferian	.....	D26/68

**OTHER PUBLICATIONS**

Solar 8 Pack Tapered Lights / Manufacturer's Model #RS2P-HDBZ-8 / Found at HomeDepot.com Jul. 13, 2009.\*

\* cited by examiner

*Primary Examiner*—Clare E Heflin

(74) *Attorney, Agent, or Firm*—Honigman Miller Schwartz and Cohn LLP

(57) **CLAIM**

The ornamental design for a solar powered outdoor light, as shown and described.

**DESCRIPTION**

FIG. 1 is an isometric view of a solar powered outdoor light showing the new design;

FIG. 2 is a front elevation view thereof, the back elevation view being the same;

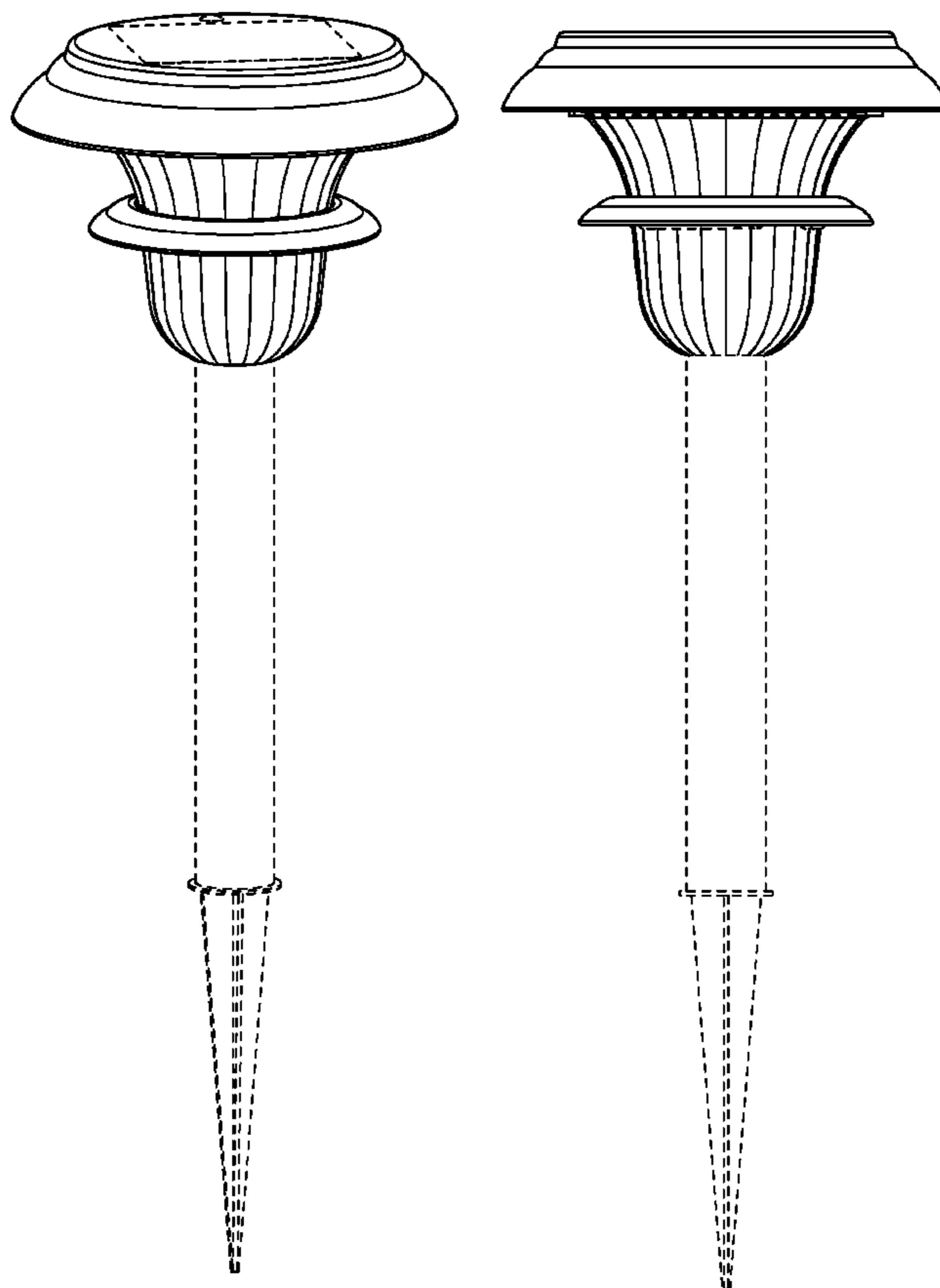
FIG. 3 is a right side elevation view thereof, the left side elevation view being the same;

FIG. 4 is a top plan view thereof; and,

FIG. 5 is a bottom plan view thereof.

The broken lines shown on the drawings represent environment only and form no part of the claim.

**1 Claim, 4 Drawing Sheets**



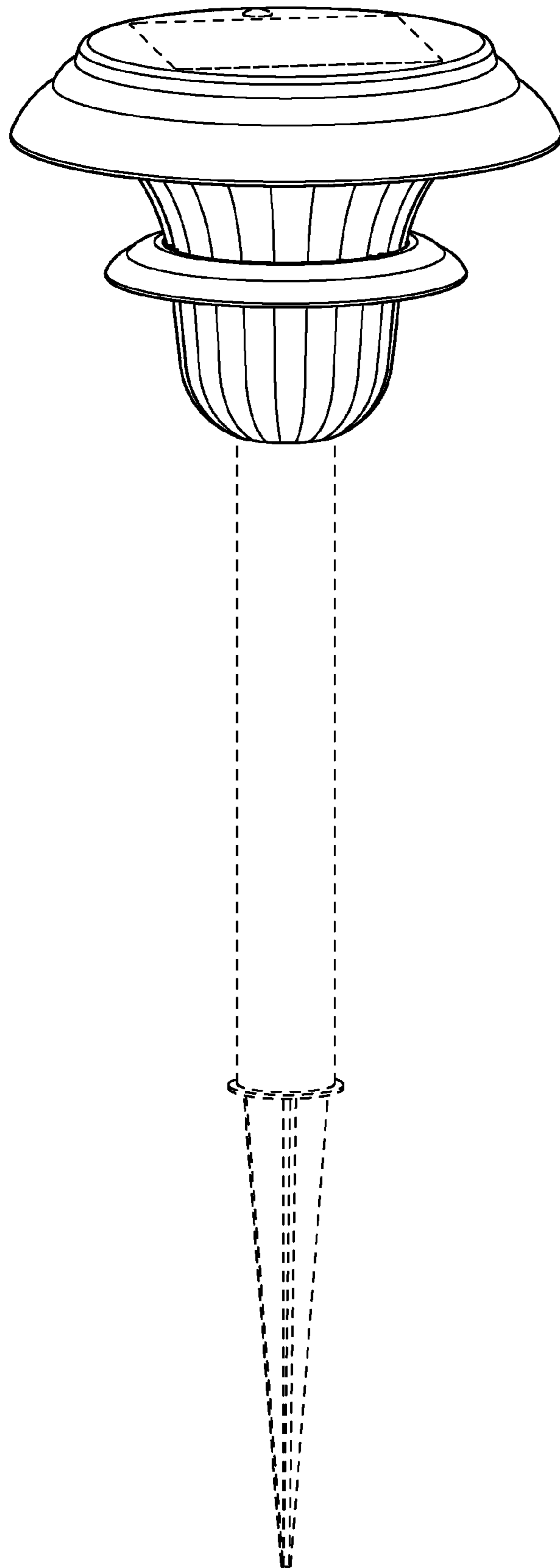


FIG. 1

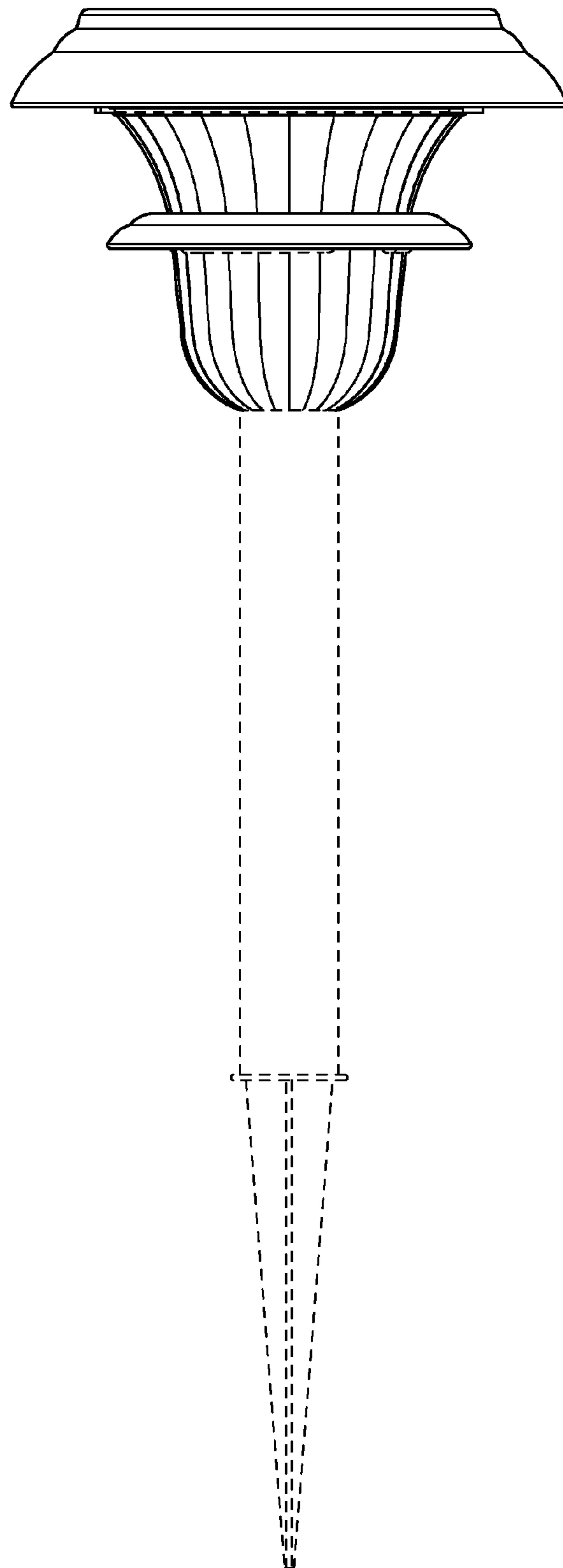


FIG. 2

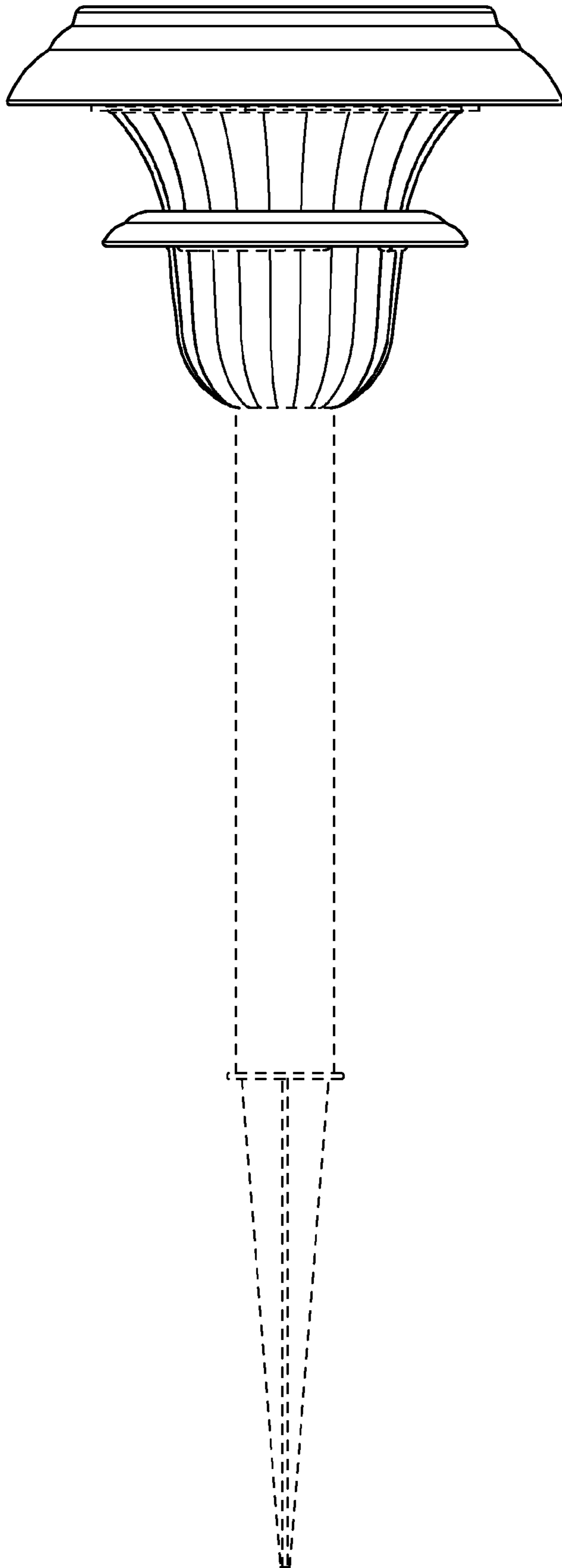


FIG. 3

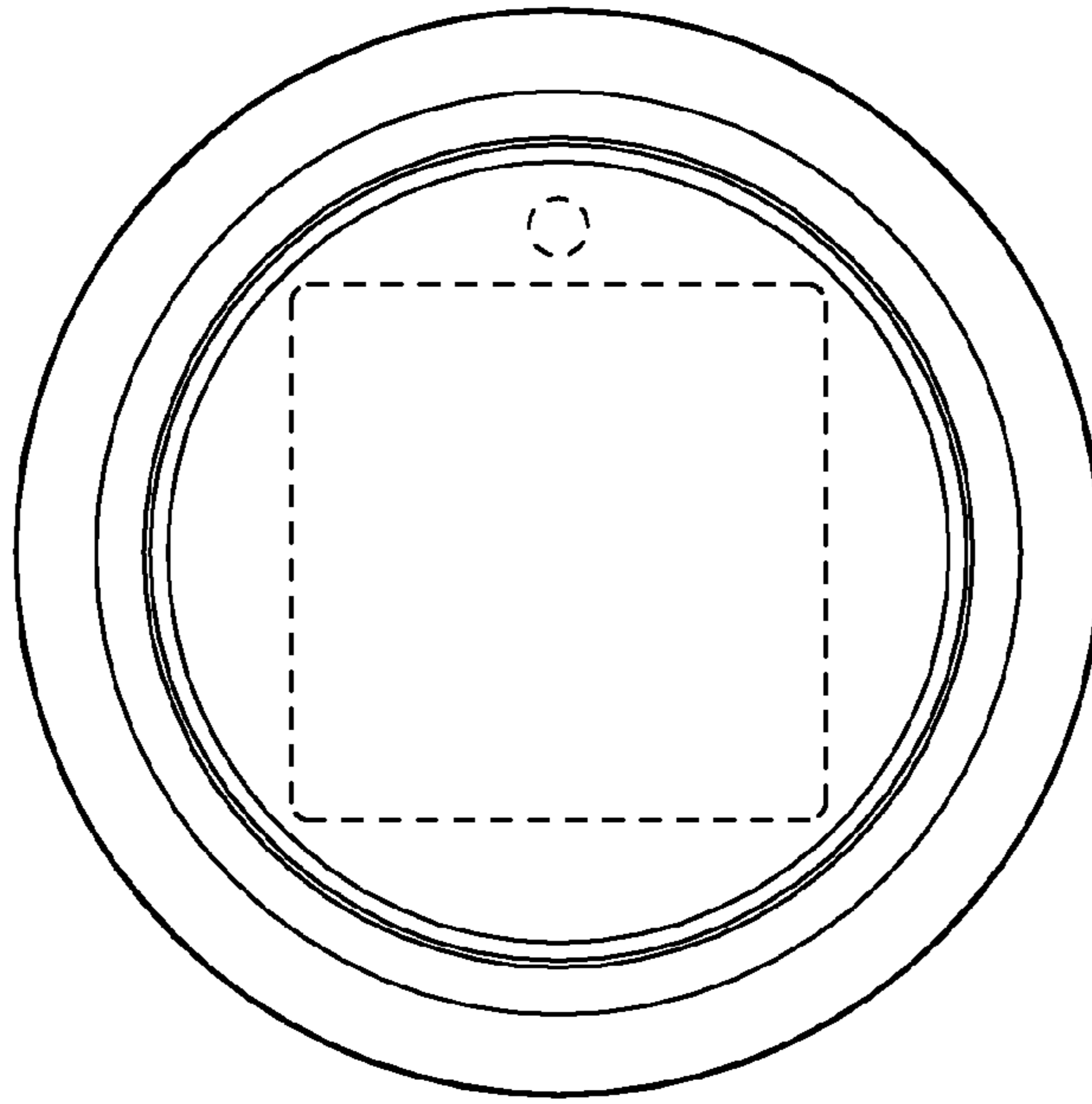


FIG. 4

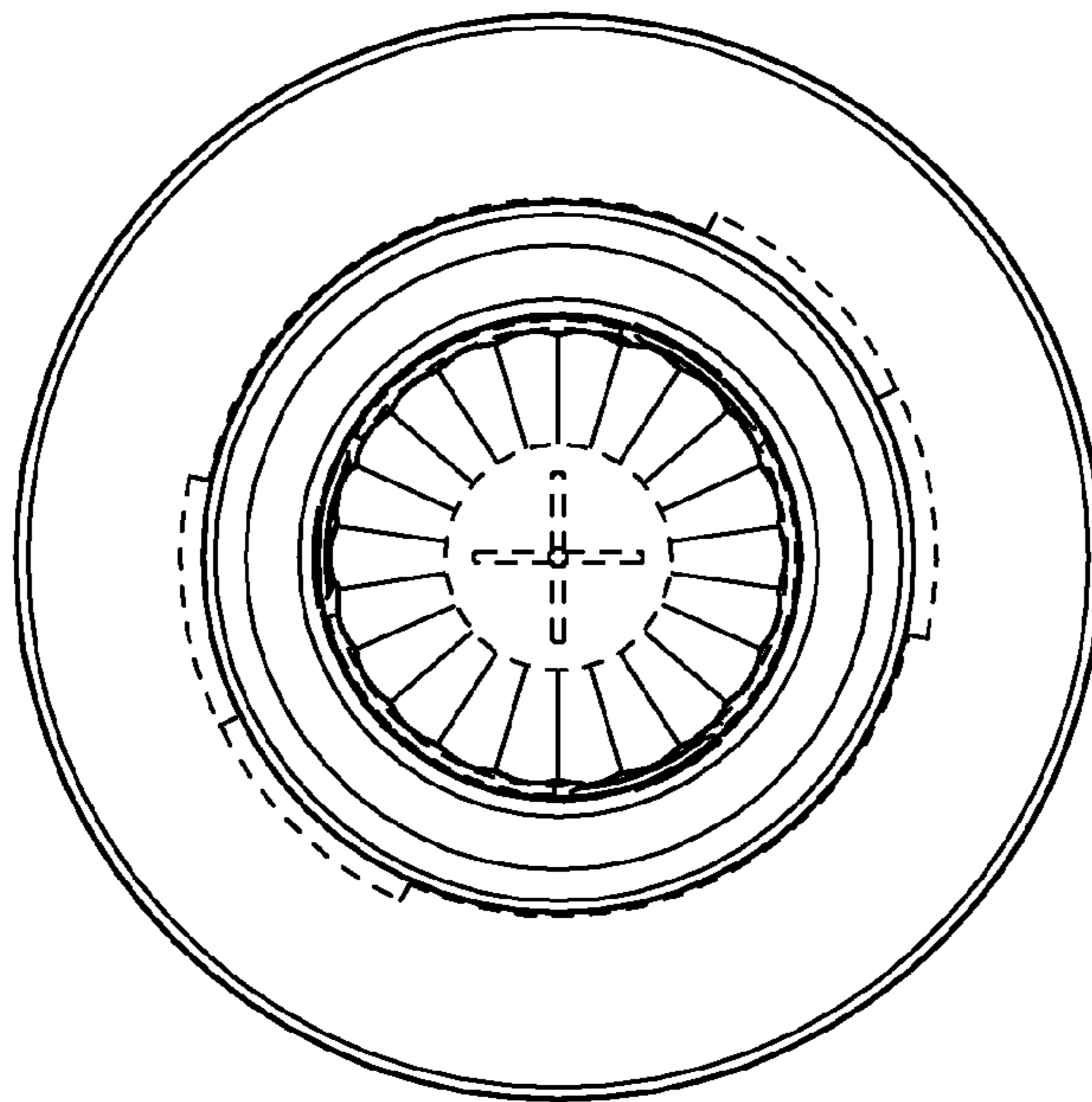


FIG. 5