



(12) **United States Design Patent**
Chen

(10) **Patent No.:** **US D605,804 S**
(45) **Date of Patent:** **** Dec. 8, 2009**

(54) **SOLAR POWERED OUTDOOR LIGHT**

D567,984 S * 4/2008 Chen D26/67

(75) Inventor: **Chi Gon Chen**, Guang Zhou (CN)

OTHER PUBLICATIONS

(73) Assignee: **International Development LLC**,
Roanoke, TX (US)

Solar 8 Pack Tapered Lights. Manufacturer's Model #RS2P-HDBZ-8. Found at HomeDepot.com Jul. 13, 2009.*

(**) Term: **14 Years**

* cited by examiner

(21) Appl. No.: **29/336,671**

Primary Examiner—Clare E Heflin
(74) *Attorney, Agent, or Firm*—Honigman Miller Schwartz and Cohn LLP

(22) Filed: **May 7, 2009**

(57) **CLAIM**

(51) **LOC (9) Cl.** **23-05**

(52) **U.S. Cl.** **D26/67**

(58) **Field of Classification Search** D26/67-71,
D26/85; 362/152, 153, 153.1, 180, 183,
362/431, 653

The ornamental design for a solar powered outdoor light, as shown and described.

See application file for complete search history.

DESCRIPTION

(56) **References Cited**

U.S. PATENT DOCUMENTS

D382,662 S *	8/1997	Shalvi	D26/68
D497,021 S *	10/2004	Pu	D26/67
D499,831 S *	12/2004	Chen	D26/68
D528,692 S *	9/2006	Chen	D26/67
D532,141 S *	11/2006	Chen	D26/67
D533,294 S *	12/2006	Chen	D26/67
D535,425 S *	1/2007	Chen	D26/67

FIG. 1 is an isometric view of a solar powered outdoor light showing the new design;

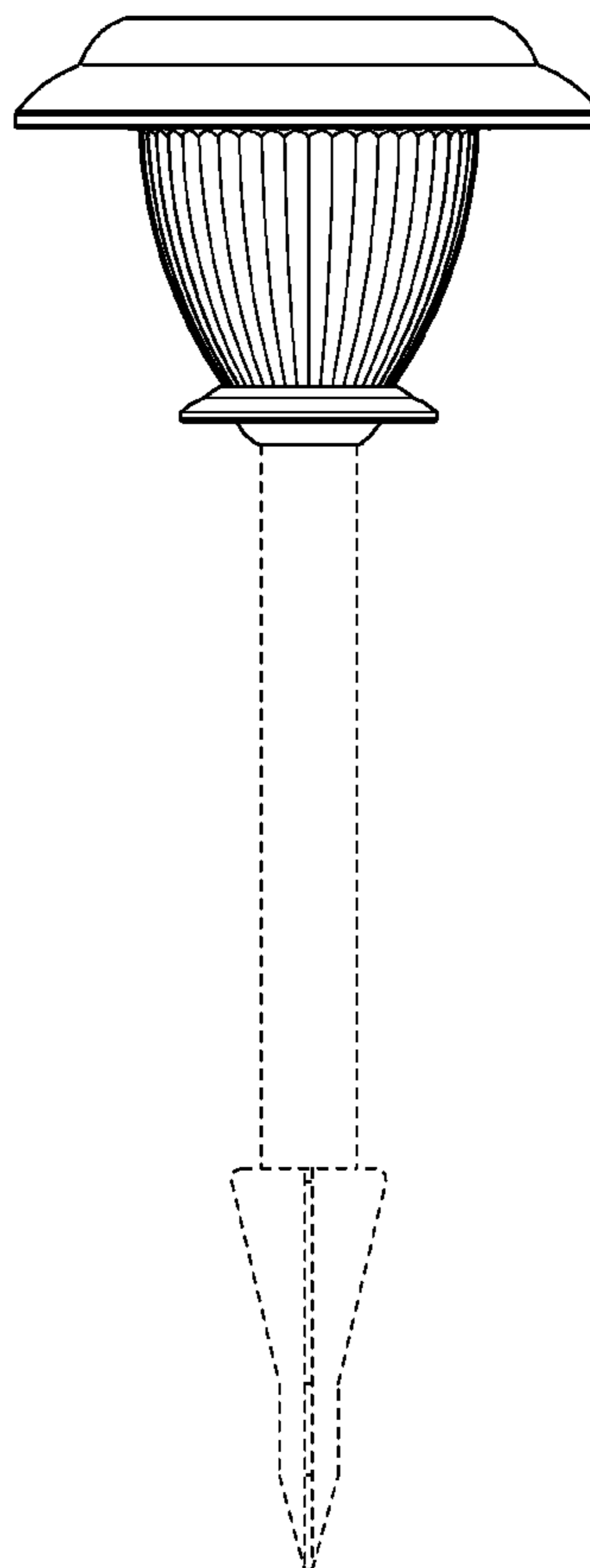
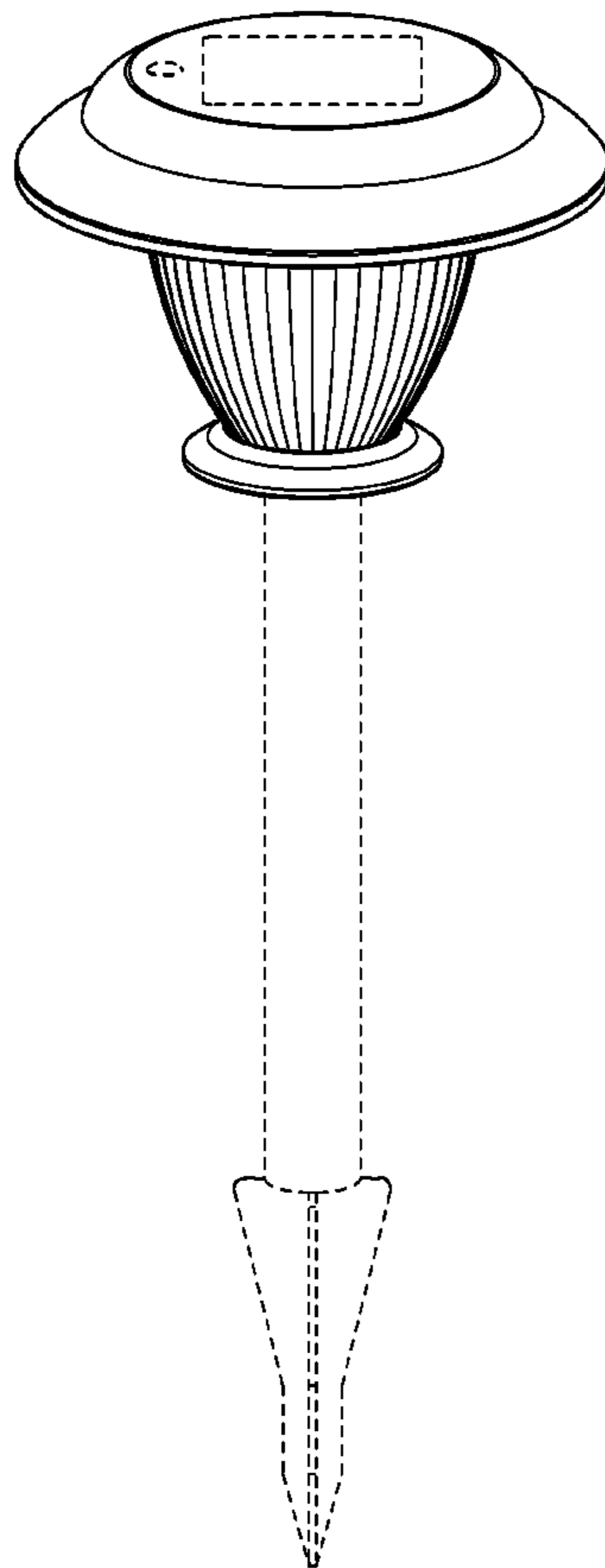
FIG. 2 is a side elevation view thereof, the left, right, front and back elevation views being the same;

FIG. 3 is a top plan view thereof; and,

FIG. 4 is a bottom plan view thereof.

The broken lines shown on the drawings represent environment only and form no part of the claim.

1 Claim, 3 Drawing Sheets



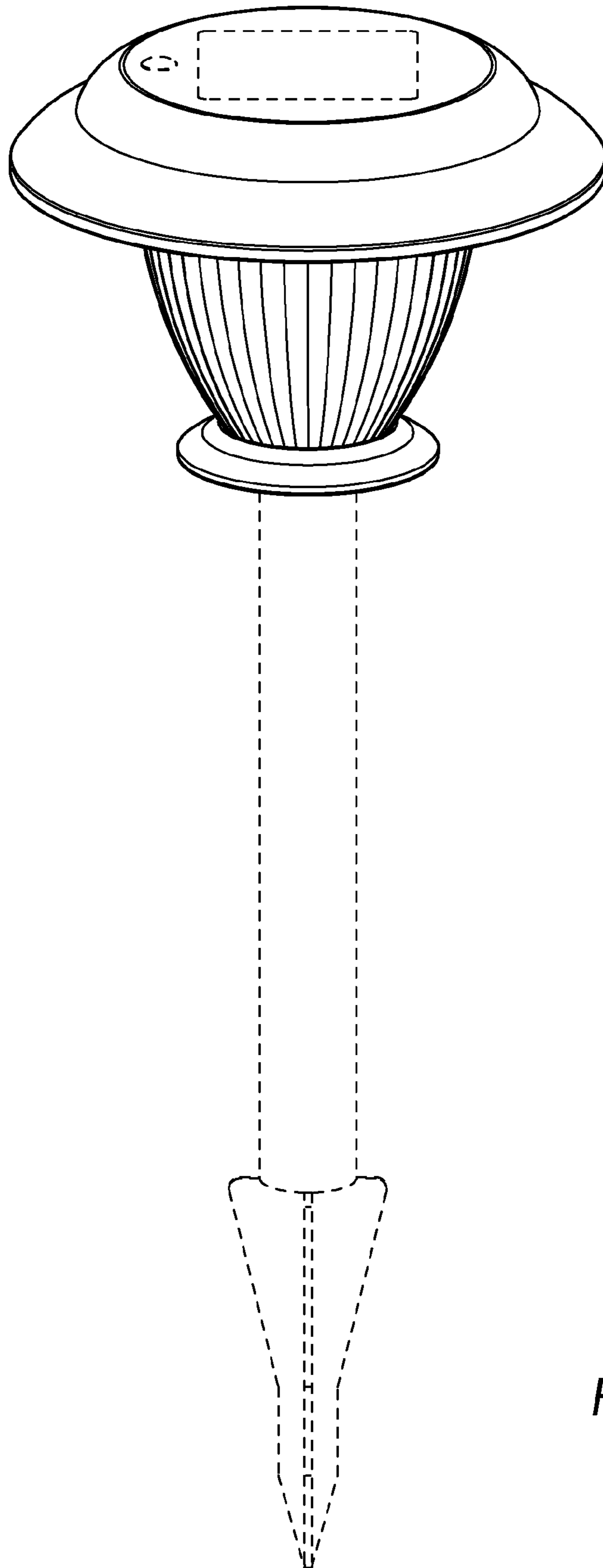


FIG. 1

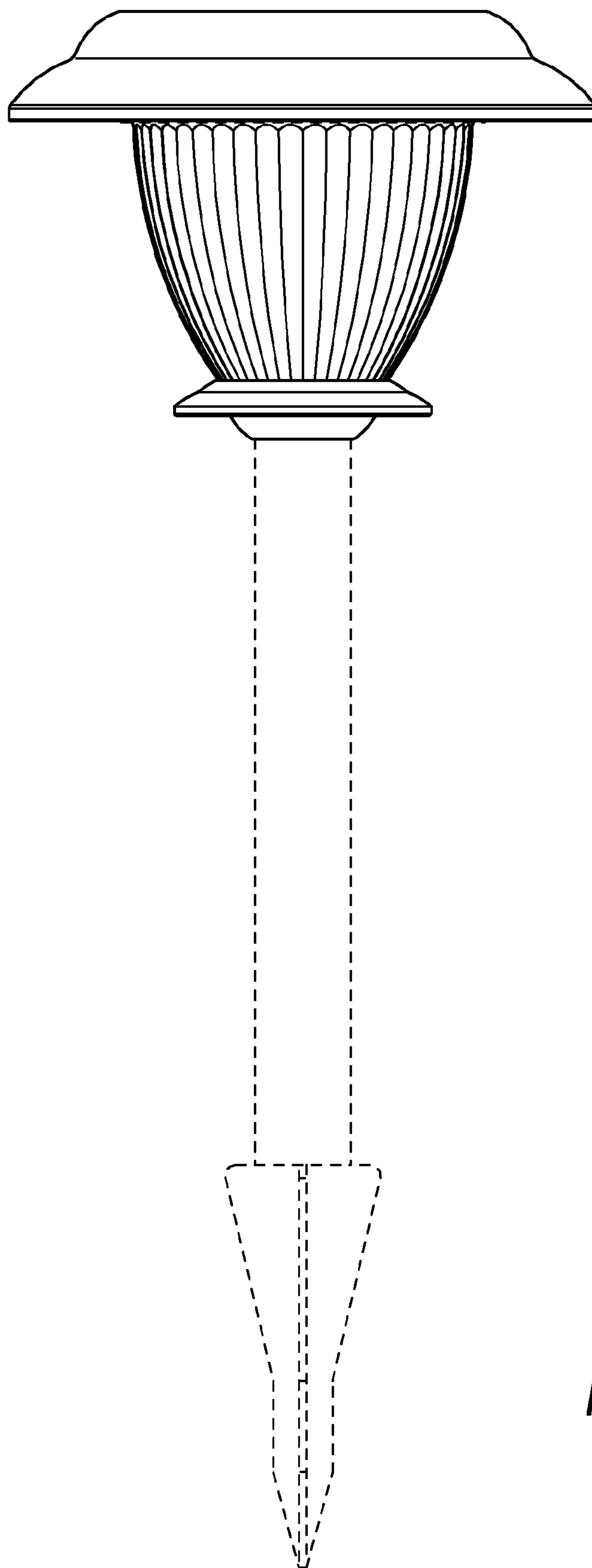


FIG. 2

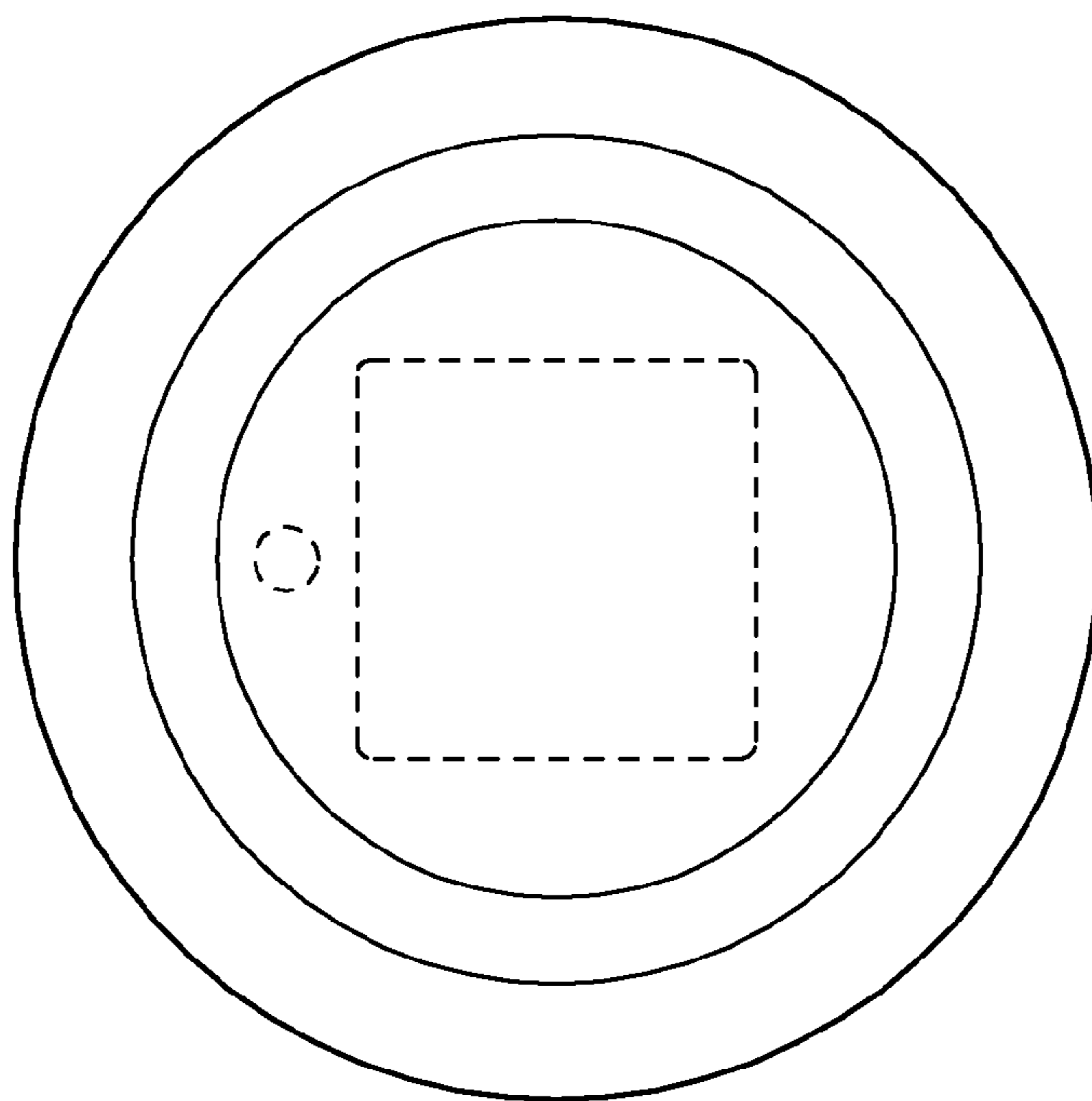


FIG. 3

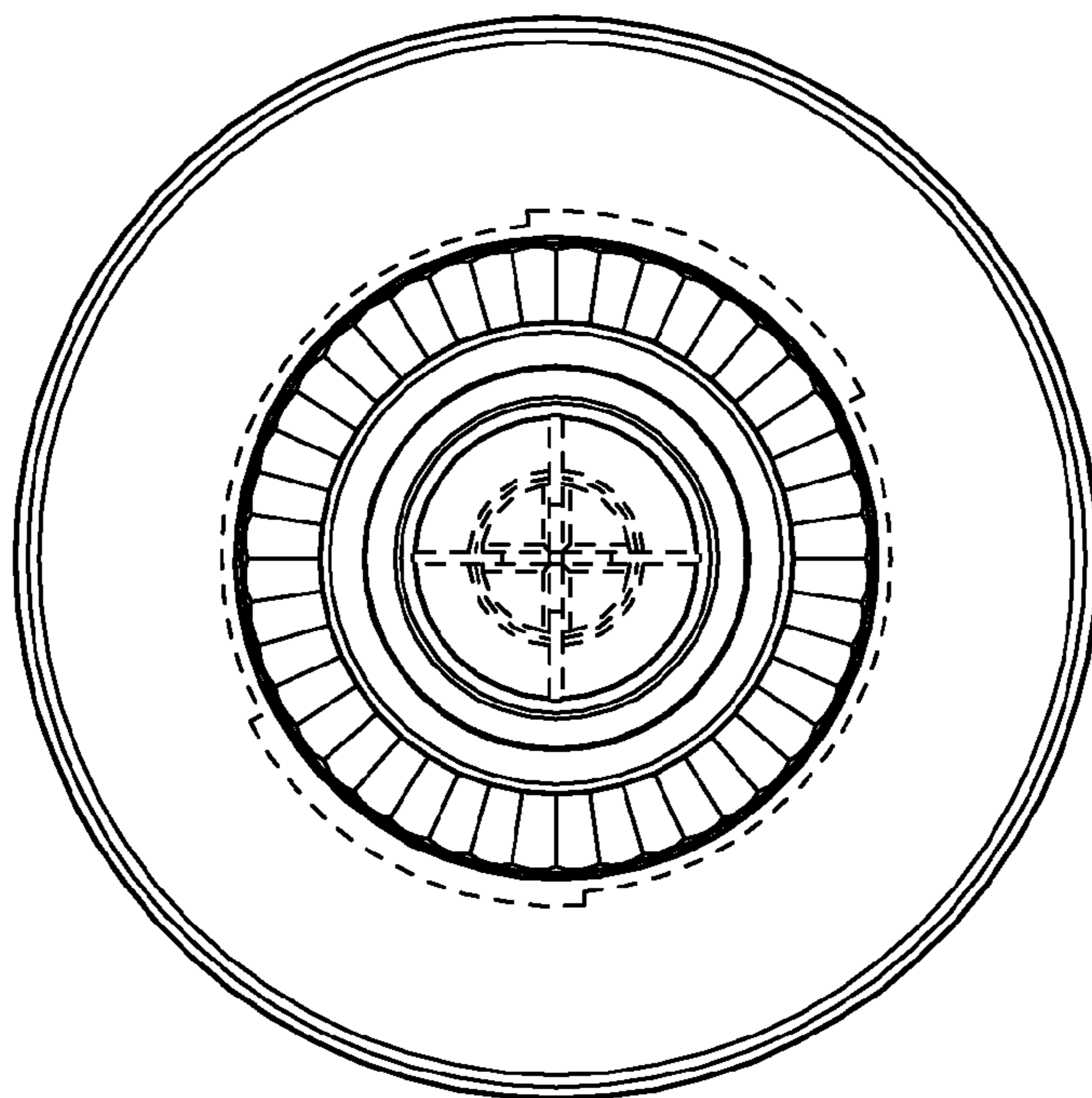


FIG. 4