

US00D605803S

(12) **United States Design Patent**
Chen

(10) **Patent No.:** **US D605,803 S**

(45) **Date of Patent:** **** Dec. 8, 2009**

(54) **SOLAR POWERED OUTDOOR LIGHT**

(75) Inventor: **Chi Gon Chen**, Guang Zhou (CN)

(73) Assignee: **International Development, LLC**,
Roanoke, TX (US)

(**) Term: **14 Years**

(21) Appl. No.: **29/336,669**

(22) Filed: **May 7, 2009**

(51) **LOC (9) Cl.** **23-05**

(52) **U.S. Cl.** **D26/67**

(58) **Field of Classification Search** D26/67-71,
D26/85; 362/152, 153, 153.1, 180, 183,
362/431, 653

See application file for complete search history.

(56) **References Cited**

U.S. PATENT DOCUMENTS

D329,100	S	*	9/1992	Hall et al.	D26/67
D382,662	S	*	8/1997	Shalvi	D26/68
D391,384	S	*	2/1998	Lerch	D26/67
D464,456	S	*	10/2002	Chang	D26/67
D471,662	S	*	3/2003	Sooferian	D26/67
D499,833	S	*	12/2004	Chen	D26/68

D509,613	S	*	9/2005	Sooferian	D26/67
D520,169	S	*	5/2006	Harbaugh	D26/68
D559,422	S	*	1/2008	Sooferian	D26/68
2009/0175046	A1	*	7/2009	Richard	362/431

* cited by examiner

Primary Examiner—Clare E Heflin

(74) *Attorney, Agent, or Firm*—Honigman Miller Schwartz
and Cohn LLP

(57) **CLAIM**

The ornamental design for a solar powered outdoor light, as shown and described.

DESCRIPTION

FIG. 1 is an isometric view of a solar powered outdoor light showing the new design;

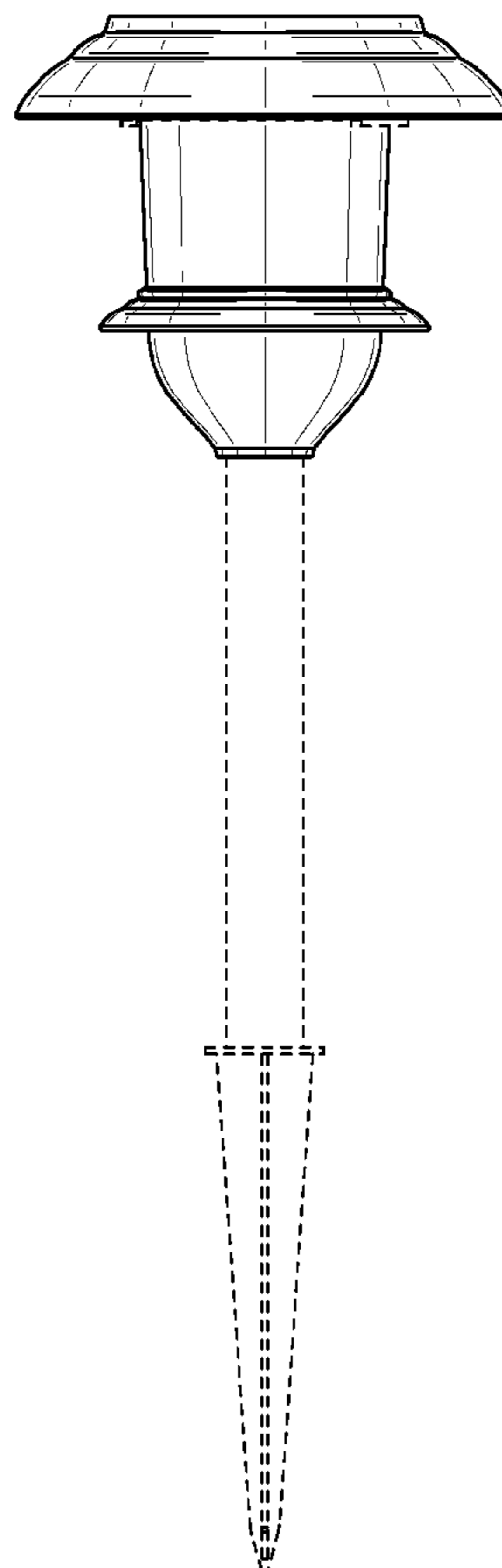
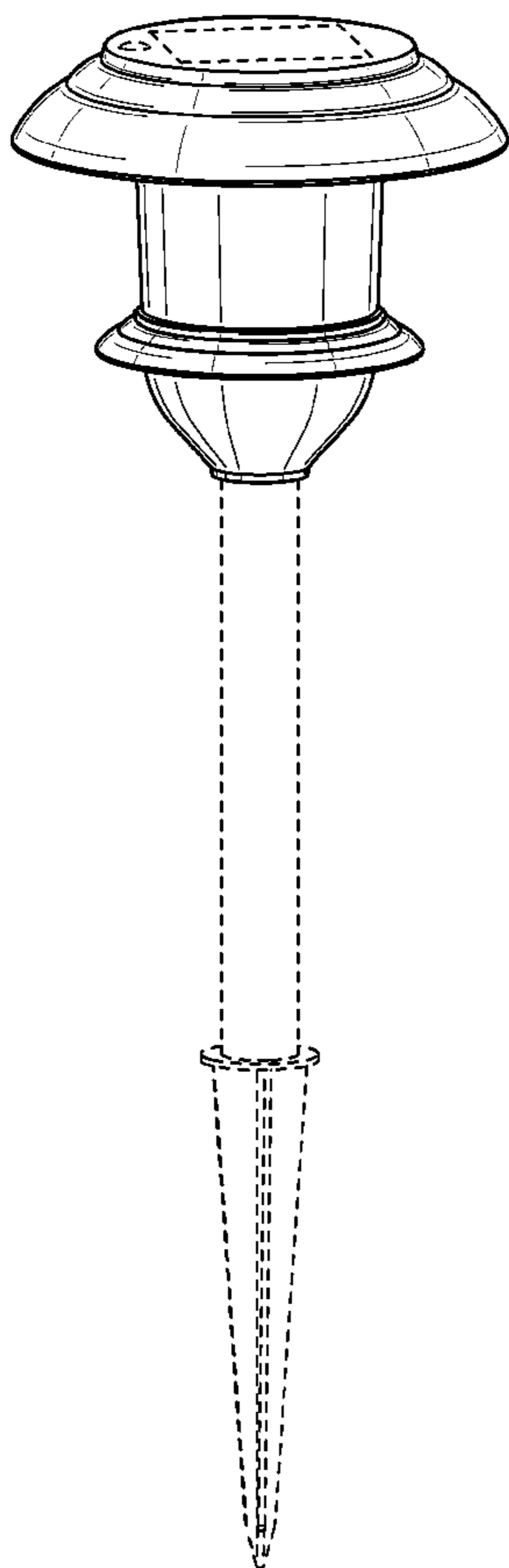
FIG. 2 is a side elevation view thereof; the left, right, front and back elevation views being the same;

FIG. 3 is a top plan view thereof; and,

FIG. 4 is a bottom plan view thereof.

The broken lines shown on the drawings represent environment only and form no part of the claim.

1 Claim, 3 Drawing Sheets



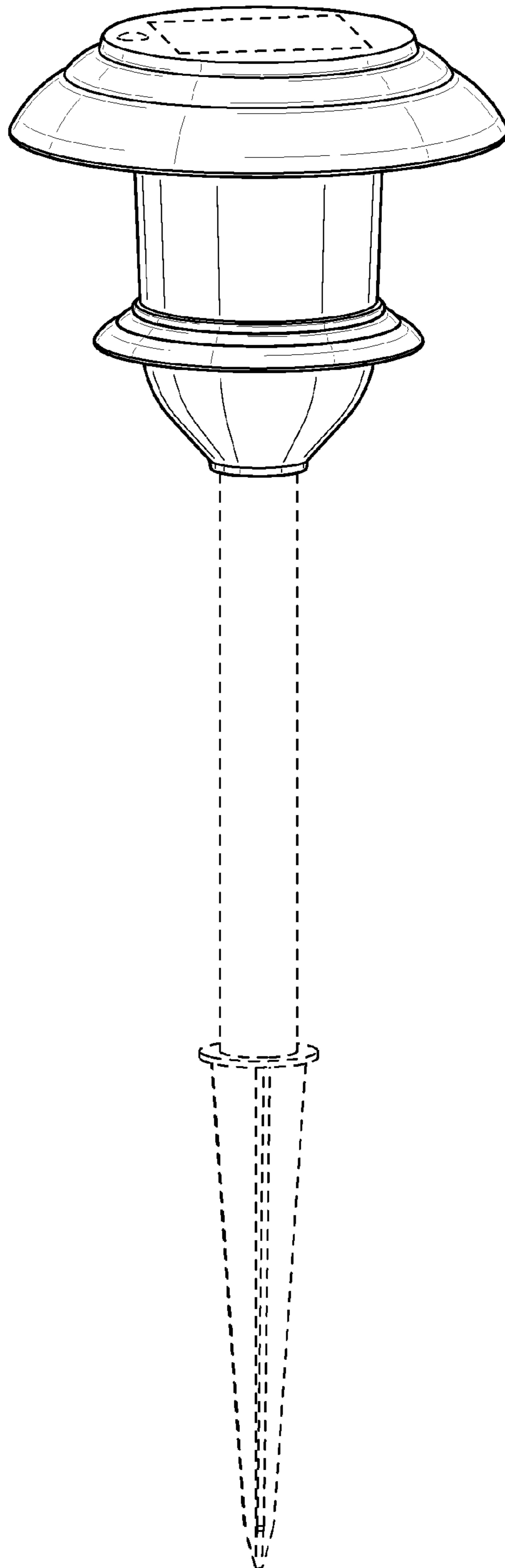


FIG. 1

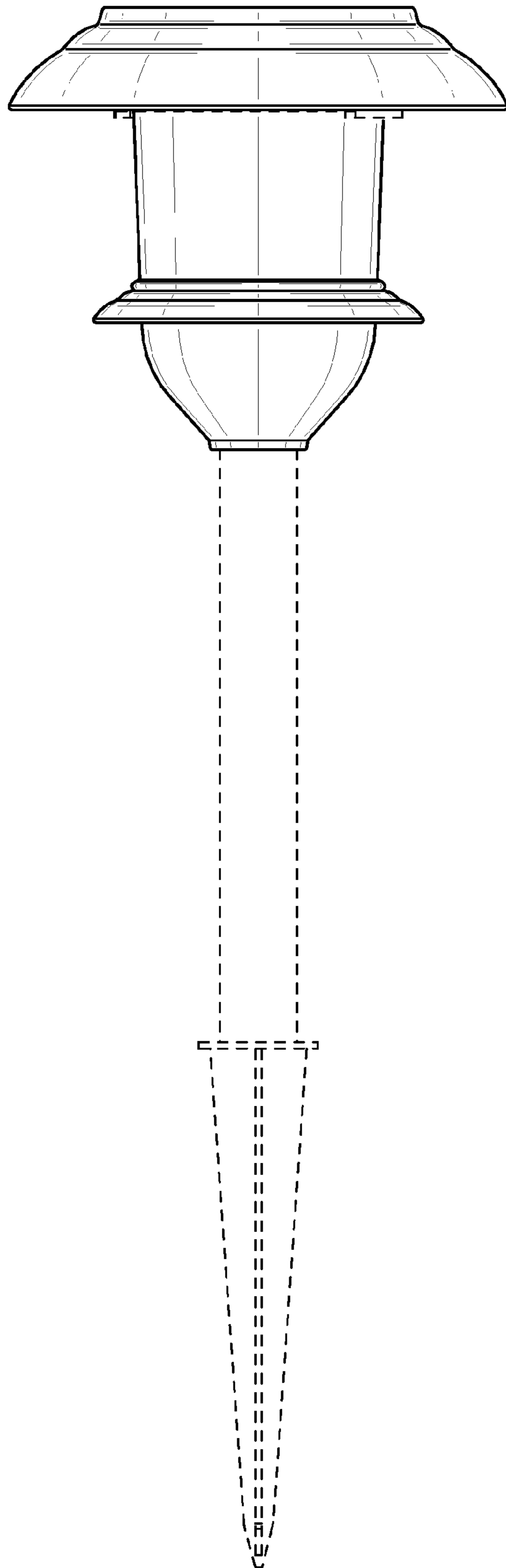


FIG. 2

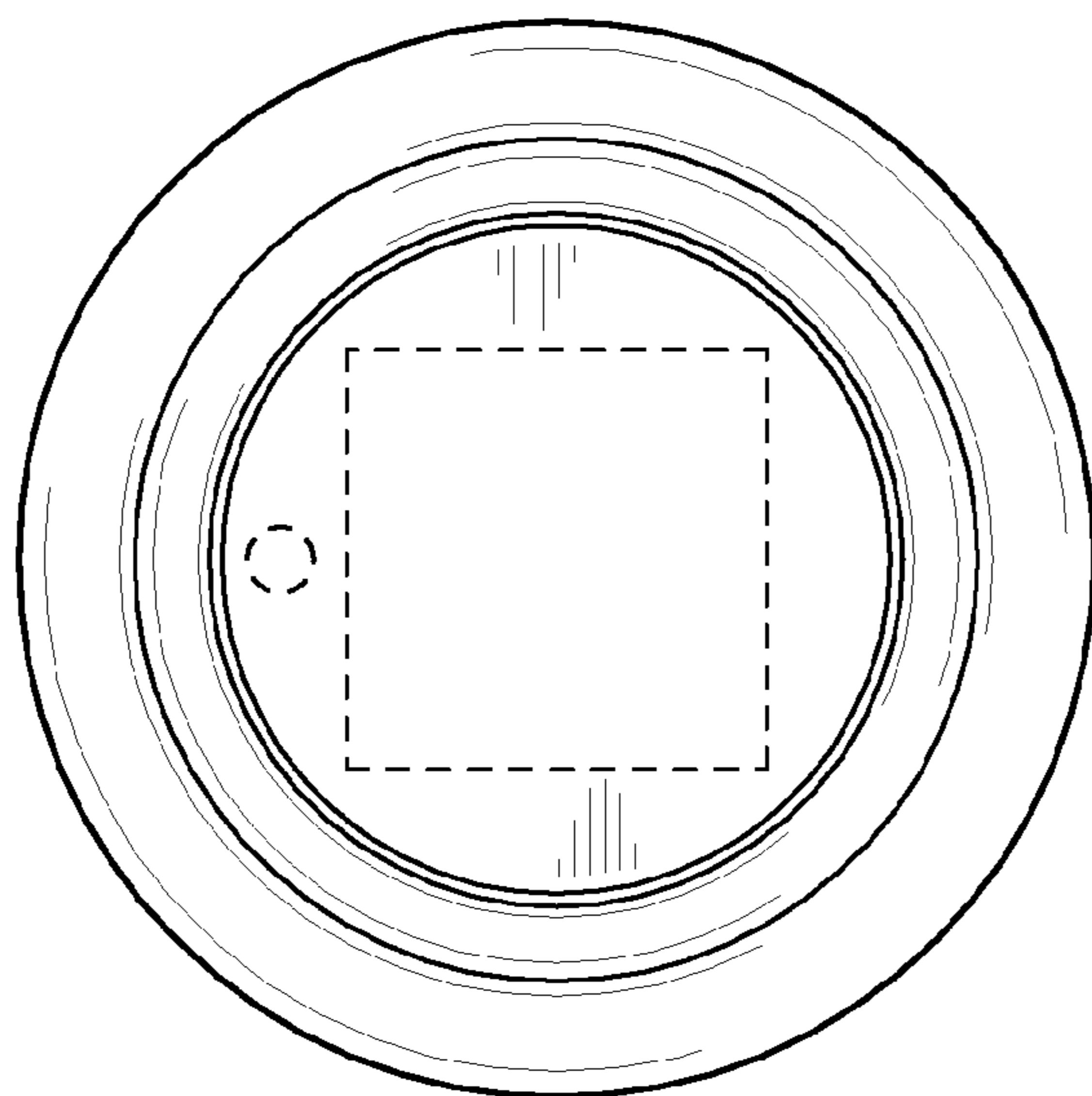


FIG. 3

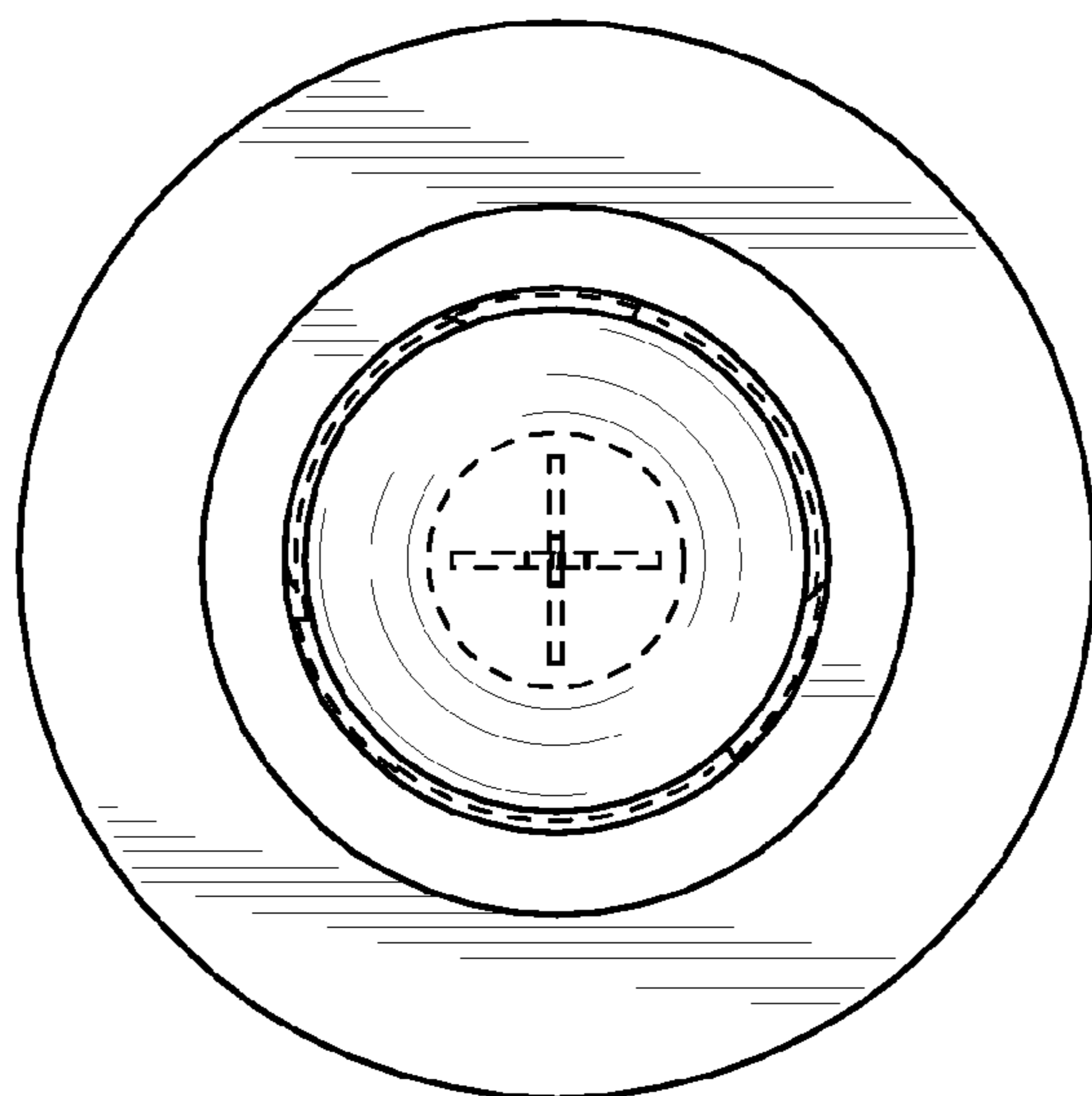


FIG. 4