



US00D605796S

(12) **United States Design Patent**
Crawford et al.

(10) **Patent No.:** **US D605,796 S**

(45) **Date of Patent:** **** *Dec. 8, 2009**

(54) **SPOTLIGHT**

(75) Inventors: **John Crawford**, Avon, OH (US);
Donwoong Kang, Camillus, NY (US);
Todd B. Abernethy, Syracuse, NY (US);
Scott W. Osiecki, Skaneateles, NY (US)

(73) Assignee: **Eveready Battery Co., Inc.**, St. Louis,
MO (US)

(*) Notice: This patent is subject to a terminal dis-
claimer.

(**) Term: **14 Years**

(21) Appl. No.: **29/302,842**

(22) Filed: **Jan. 25, 2008**

(51) **LOC (9) Cl.** **26-02**

(52) **U.S. Cl.** **D26/45**

(58) **Field of Classification Search** D26/37,
D26/45, 46, 48, 49; 362/157, 158, 183, 184,
362/185, 187, 189, 194-208

See application file for complete search history.

(56) **References Cited**

U.S. PATENT DOCUMENTS

5,654,594	A	8/1997	Bjornsen, III et al.	
D434,513	S *	11/2000	Poon	D26/45
6,230,431	B1	5/2001	Bear	
6,276,088	B1	8/2001	Matthews et al.	
D462,133	S *	8/2002	Krieger et al.	D26/45
D504,533	S *	4/2005	Hussaini et al.	D26/45
D508,578	S *	8/2005	Shen	D26/45
6,945,666	B2	9/2005	Woolfson	

D526,731	S *	8/2006	Cheung et al.	D26/45
D532,541	S *	11/2006	Krieger et al.	D26/45
D565,767	S *	4/2008	Ben-Moshe	D26/45

2003/0223227	A1	12/2003	Levine	
2006/0133089	A1	6/2006	Reid et al.	

* cited by examiner

Primary Examiner—Ian Simmons

Assistant Examiner—Carissa C Fitts

(74) *Attorney, Agent, or Firm*—Gregory J. Adams; Michael
C. Pophal

(57) **CLAIM**

We claim the ornamental design for a spotlight, as shown and
described.

DESCRIPTION

FIG. 1 is a top perspective view of a spotlight, showing our
new design;

FIG. 2 is a left side perspective view thereof;

FIG. 3 is a right side view thereof;

FIG. 4 is a left side view thereof;

FIG. 5 is a front view thereof;

FIG. 6 is a rear view thereof;

FIG. 7 is a top plan view thereof; and,

FIG. 8 is a bottom plan view thereof.

The broken lines that show the outermost periphery of non-
claimed features represent the boundaries of the claimed
design while all other broken lines are directed to environ-
ment and are for illustrative purposes only; the broken lines
form no part of the claimed design.

1 Claim, 8 Drawing Sheets

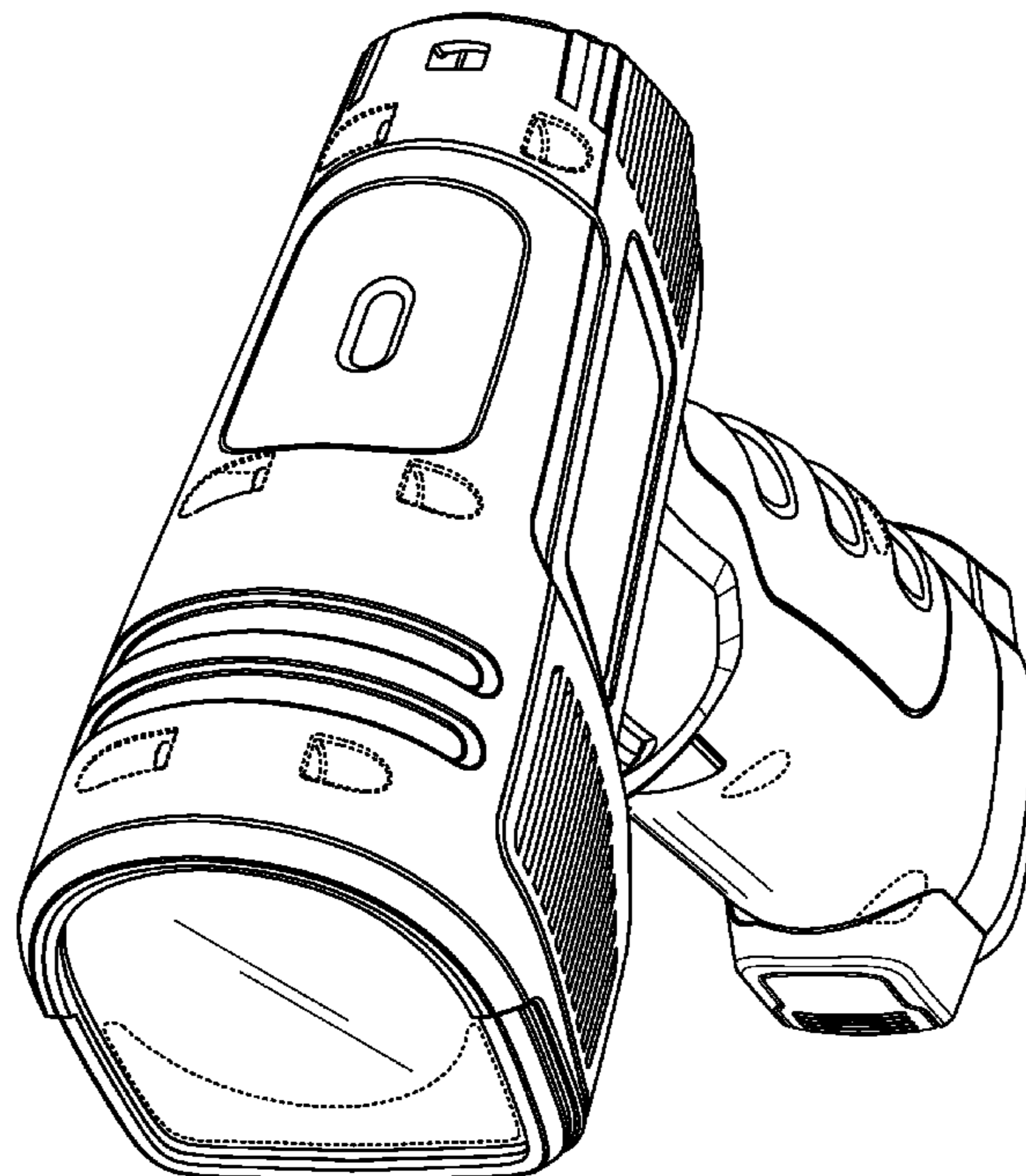
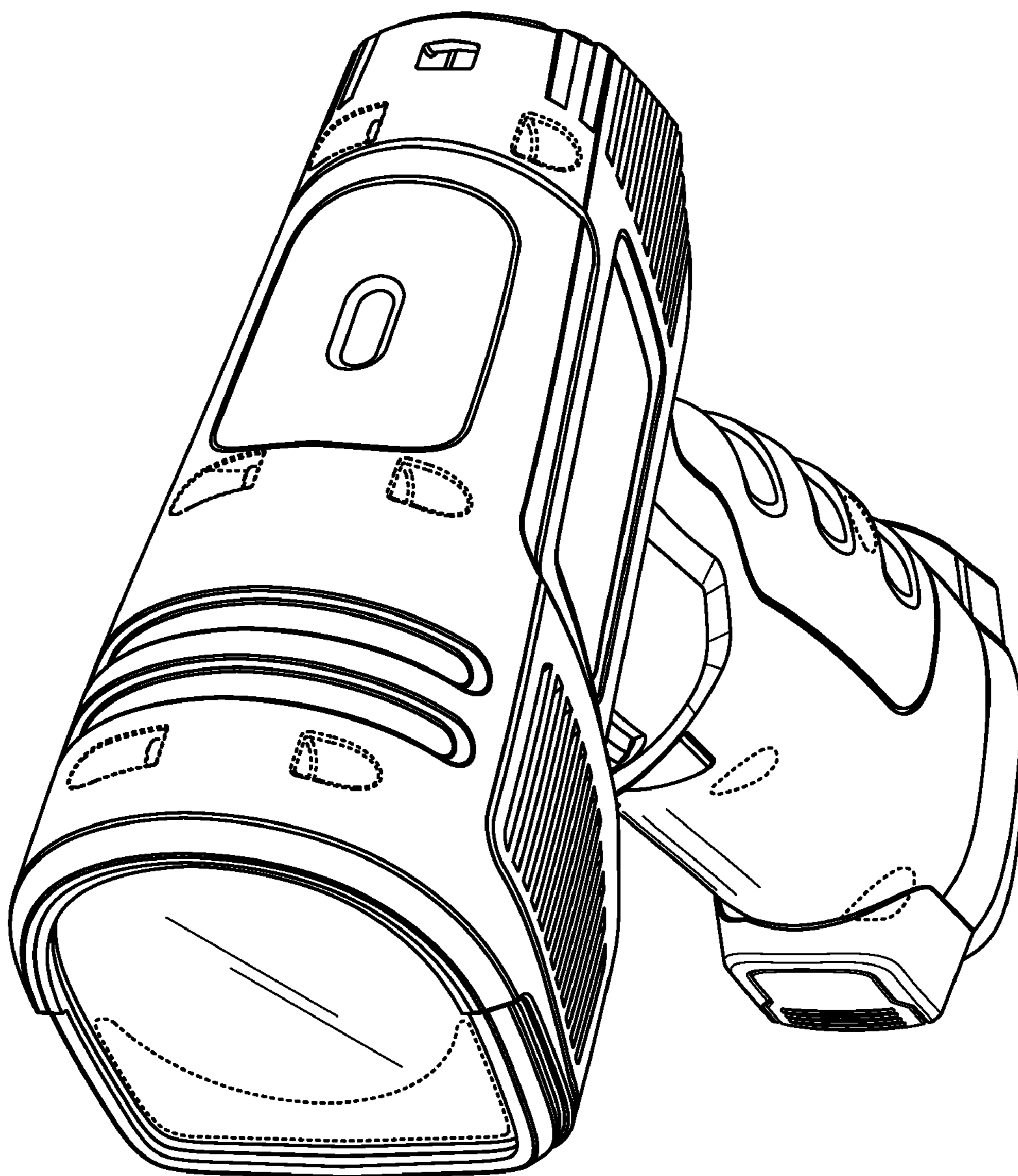


FIG. 1



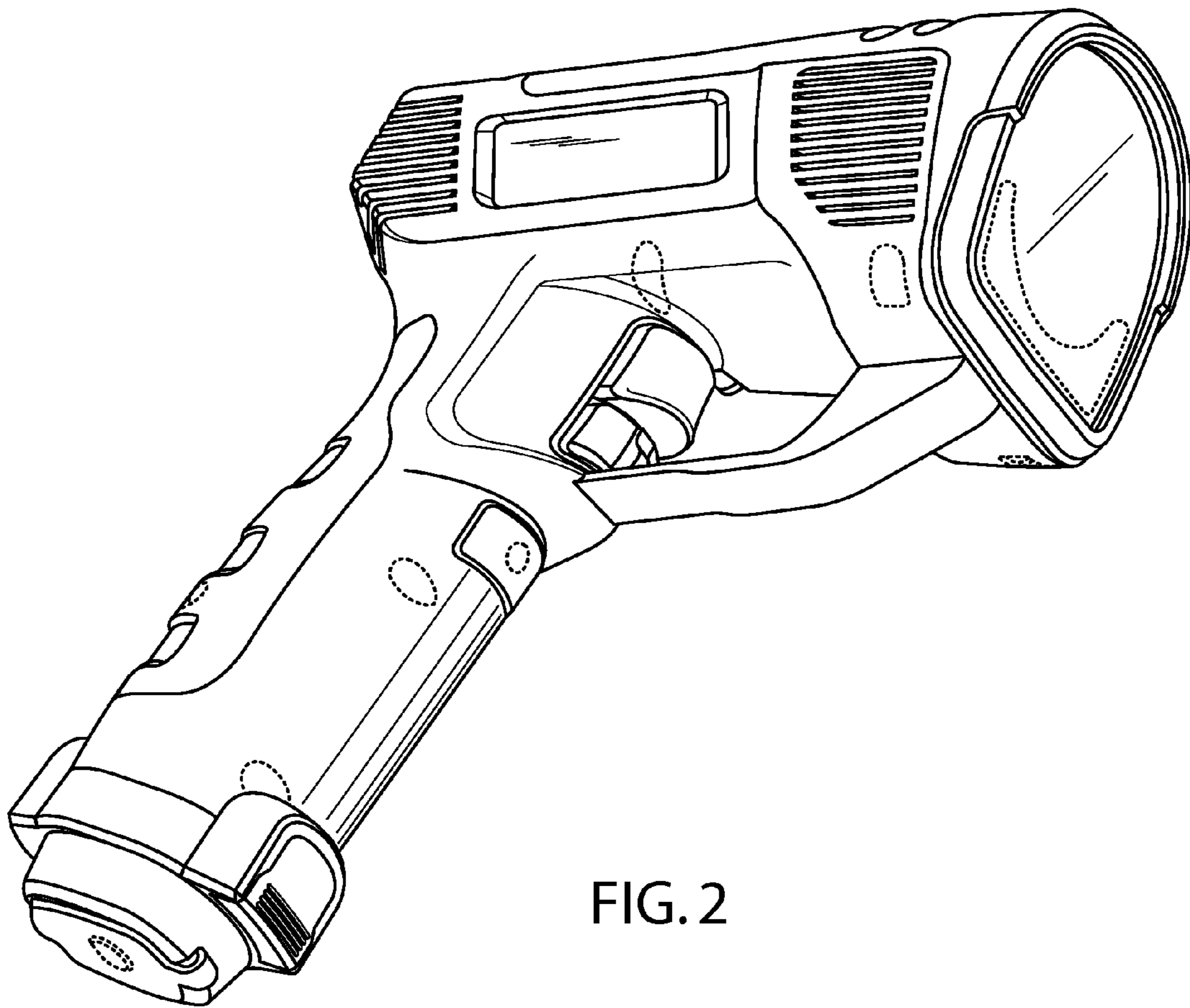


FIG. 2

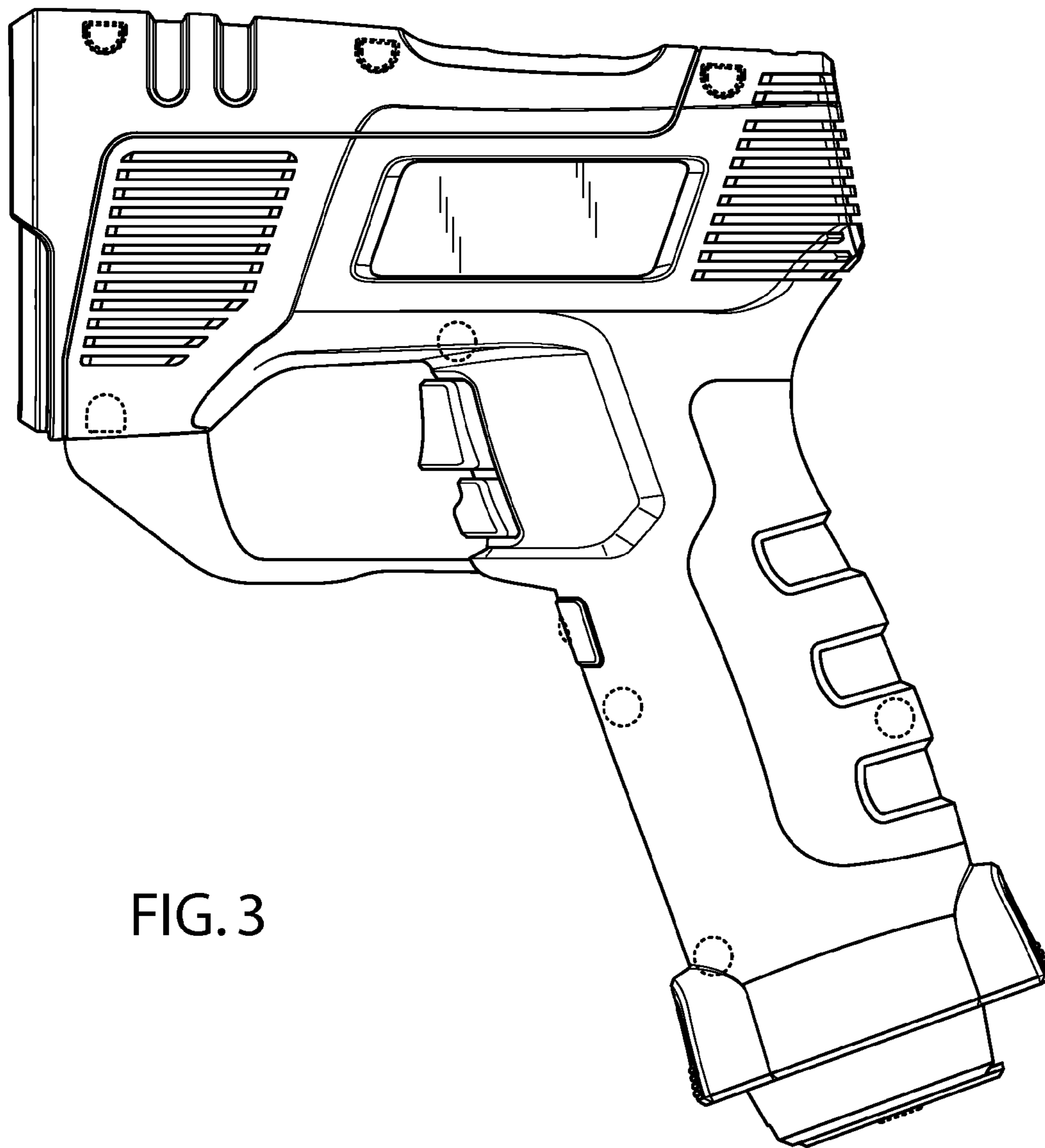


FIG. 3

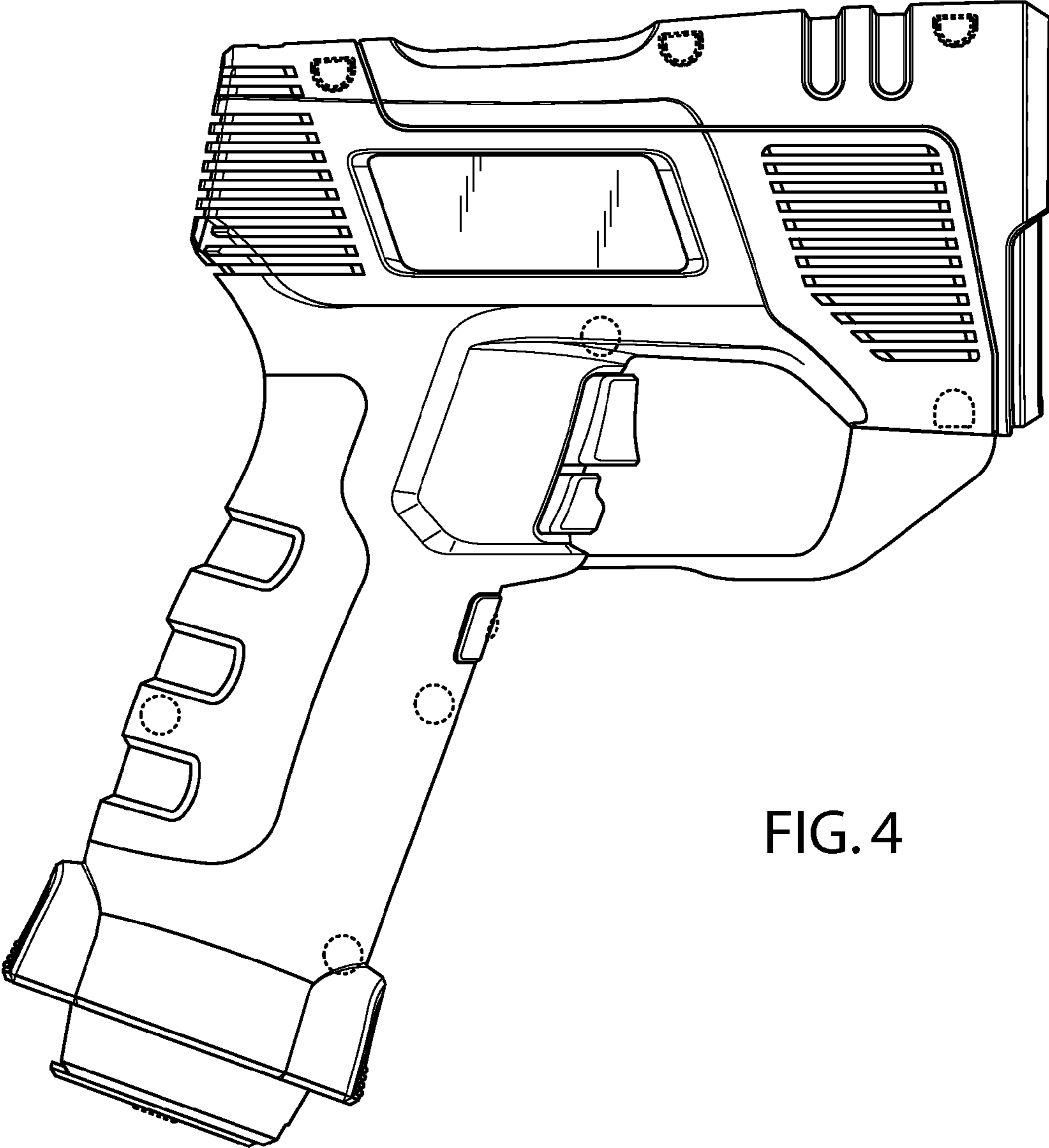


FIG. 4

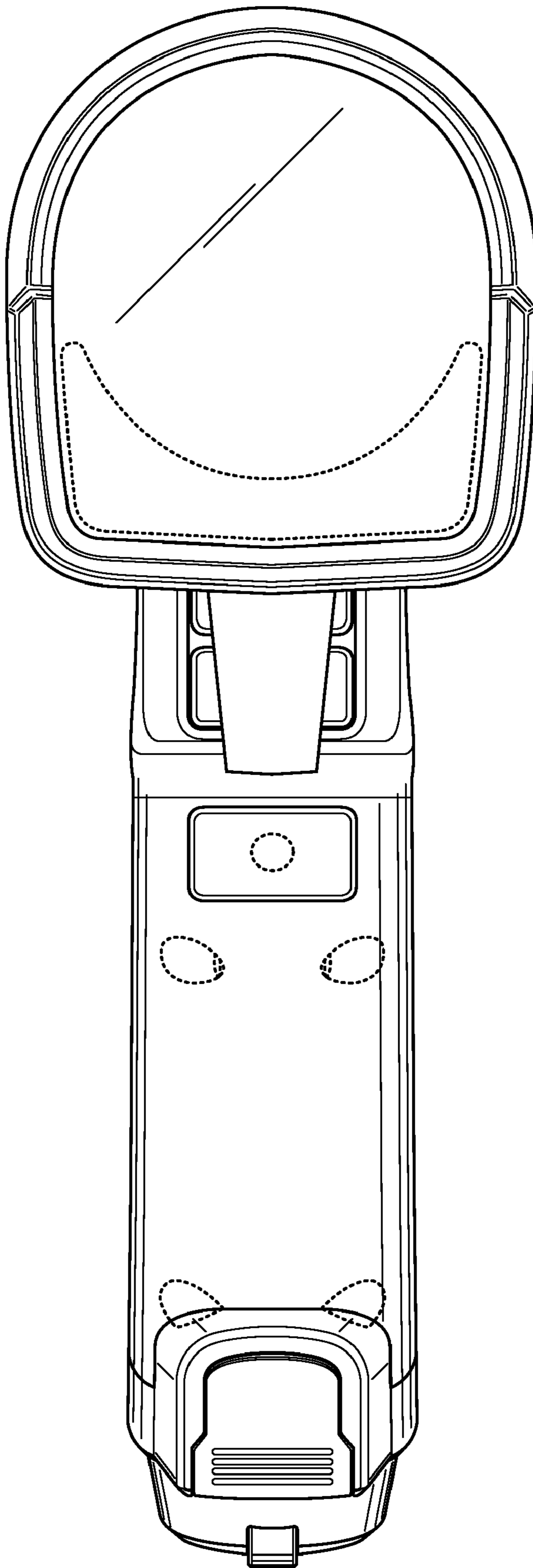


FIG. 5

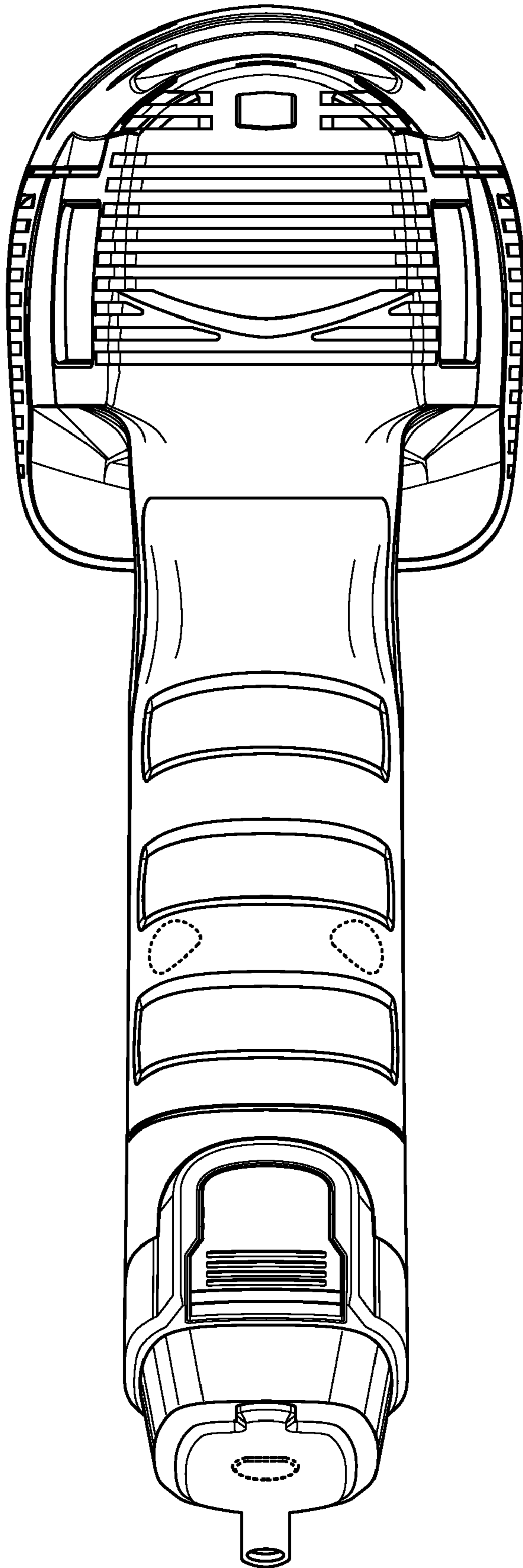


FIG. 6

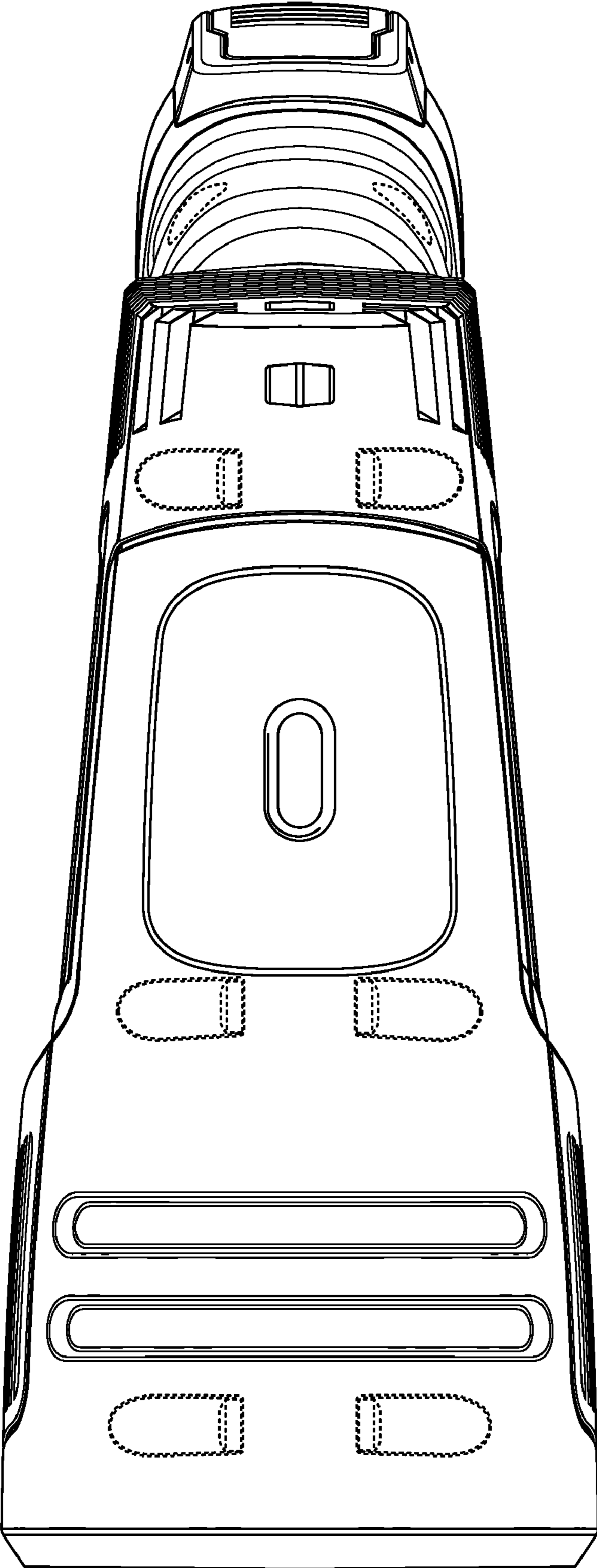


FIG. 7

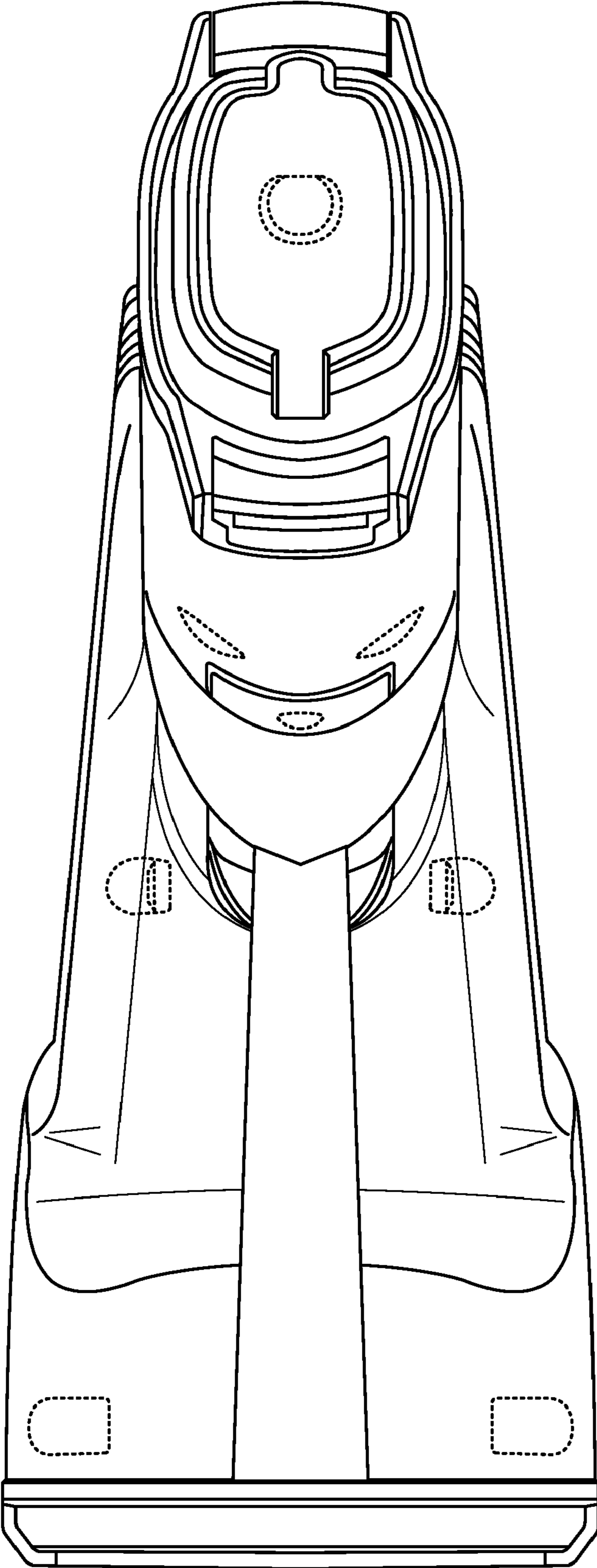


FIG. 8