



US00D605795S

(12) **United States Design Patent**
Baker et al.

(10) **Patent No.:** **US D605,795 S**
(45) **Date of Patent:** **** Dec. 8, 2009**

(54) **FLASHLIGHT**

(75) Inventors: **Kathleen Ann Baker**, New Fairfield, CT (US); **Lillian Norton**, Danbury, CT (US); **Stuart Karten**, Venice, CA (US); **Jeffrey Walter Benzler**, Los Angeles, CA (US); **Dennis Lynn Schroeder**, Los Angeles, CA (US)

(73) Assignee: **The Gillette Company**, Boston, MA (US)

(**) Term: **14 Years**

(21) Appl. No.: **29/337,485**

(22) Filed: **May 22, 2009**

(51) **LOC (9) Cl.** **26-02**

(52) **U.S. Cl.** **D26/44**

(58) **Field of Classification Search** D26/37,
D26/38, 44, 45, 46, 49; 362/157, 158, 159,
362/184, 194–208

See application file for complete search history.

(56) **References Cited**

U.S. PATENT DOCUMENTS

D360,702 S *	7/1995	Bamber	D26/44
D378,434 S *	3/1997	Petterson et al.	D26/44
D420,156 S *	2/2000	Poon	D26/38
D428,175 S	7/2000	Lynch et al.		
D428,506 S *	7/2000	Garrity et al.	D26/49
D429,015 S *	8/2000	Garrity et al.	D26/49
D430,726 S *	9/2000	Burbrink	D3/13
D444,582 S *	7/2001	Poon	D26/44
D445,925 S *	7/2001	Parker	D26/37
D467,375 S	12/2002	Lynch et al.		
D504,737 S *	5/2005	Osiecki et al.	D26/37
D536,464 S	2/2007	Kingston et al.		
D549,373 S	8/2007	Osiecki et al.		

D552,279 S	10/2007	Osiecki et al.		
D590,971 S *	4/2009	Spartano et al.	D26/44
D599,925 S *	9/2009	Kingston	D26/44

* cited by examiner

Primary Examiner—Ian Simmons

Assistant Examiner—Carissa C Fitts

(74) *Attorney, Agent, or Firm*—Kevin C. Johnson; Steven W. Miller

(57) **CLAIM**

The ornamental design for a flashlight, as shown and described.

DESCRIPTION

FIG. 1 is a perspective view as seen from the front side of a flashlight in accordance with the present design;

FIG. 2 is a front view of a flashlight in accordance with the present design;

FIG. 3 is a back view of a flashlight in accordance with the present design;

FIG. 4 is a right side view of a flashlight in accordance with the present design;

FIG. 5 is a left side view of a flashlight in accordance with the present design;

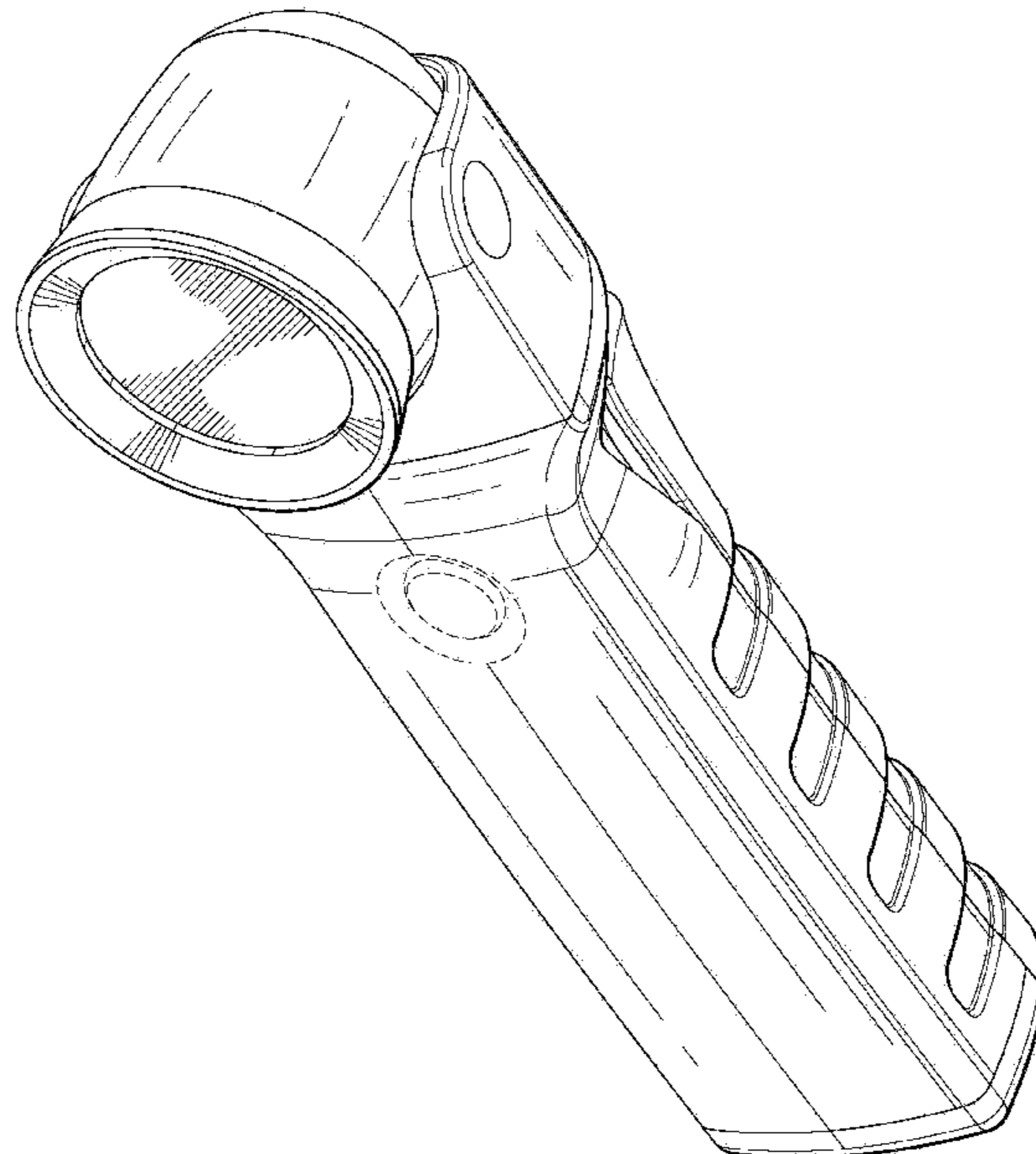
FIG. 6 is a top view of a flashlight in accordance with the present design;

FIG. 7 is a bottom view of a flashlight in accordance with the present design; and,

FIG. 8 is a perspective view as seen from the back side of a flashlight in accordance with the present design.

The broken lines are shown for illustrative purposes only and form no part of the claimed design.

1 Claim, 5 Drawing Sheets



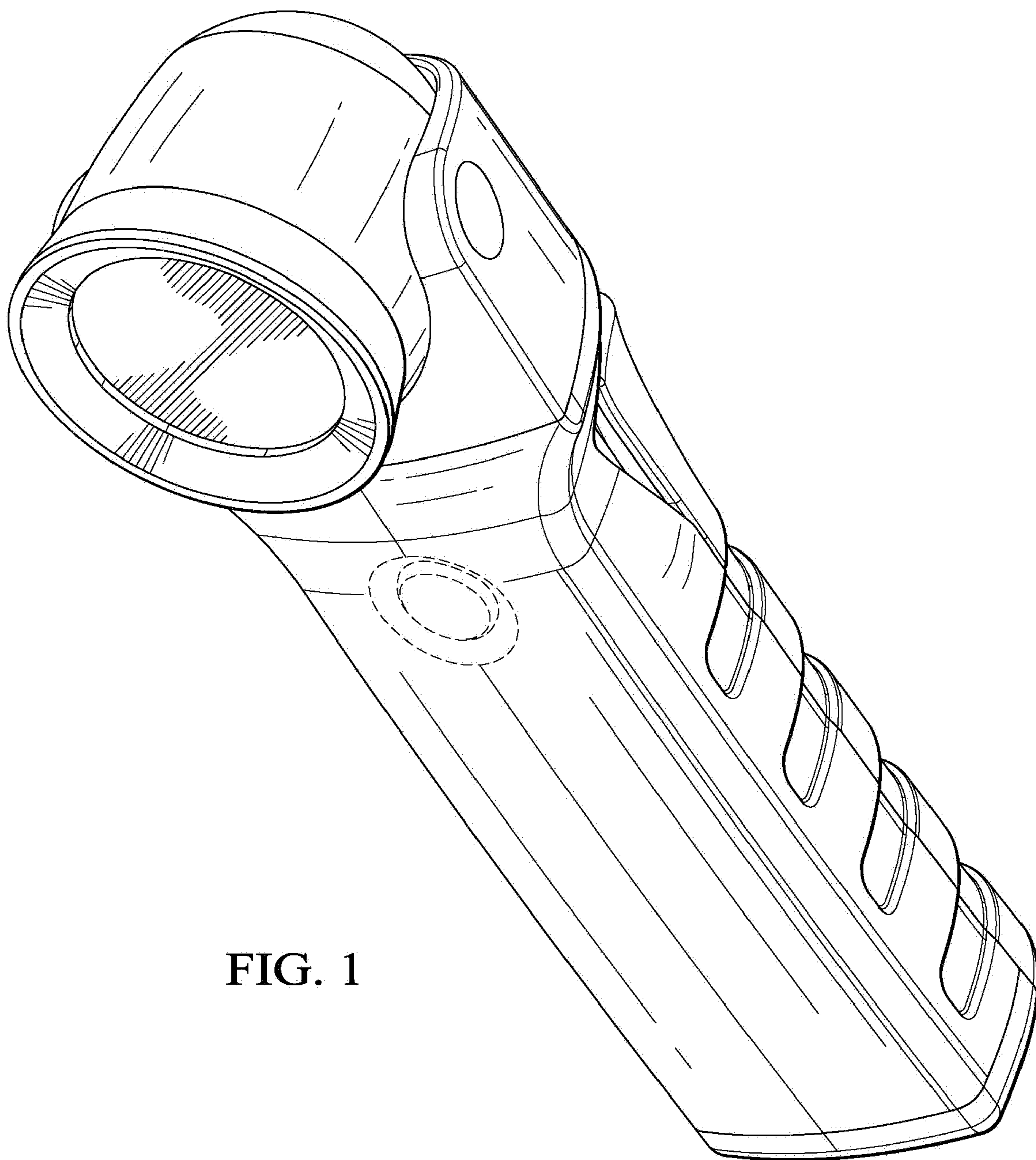


FIG. 1

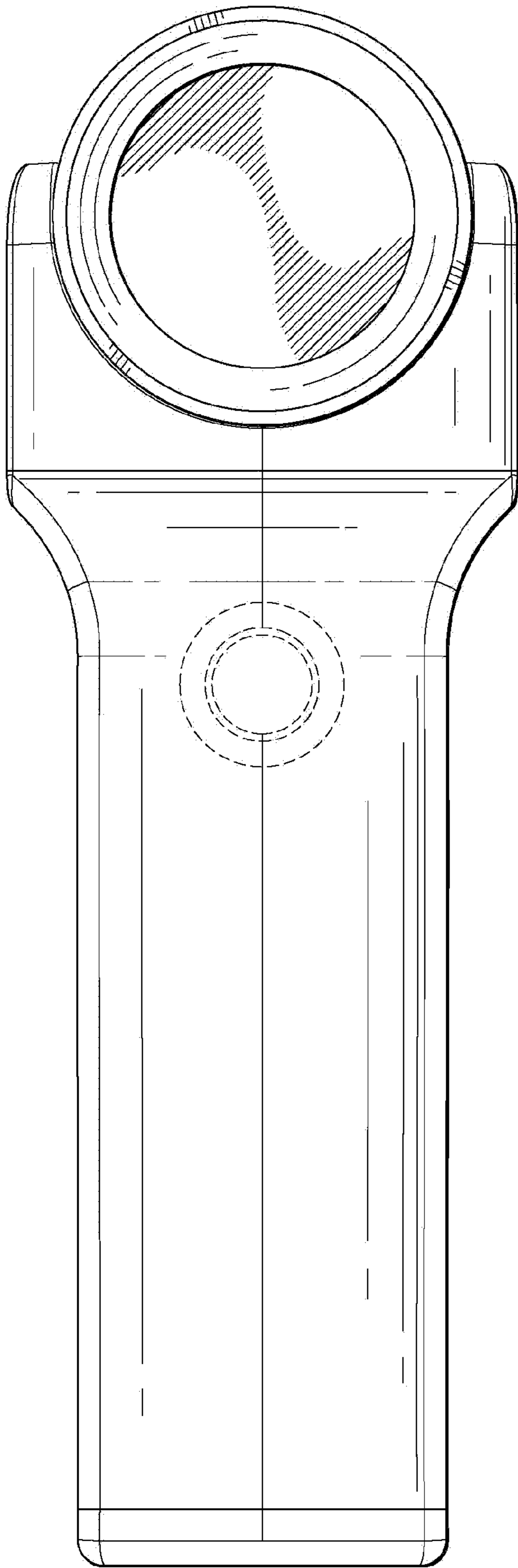


FIG. 2

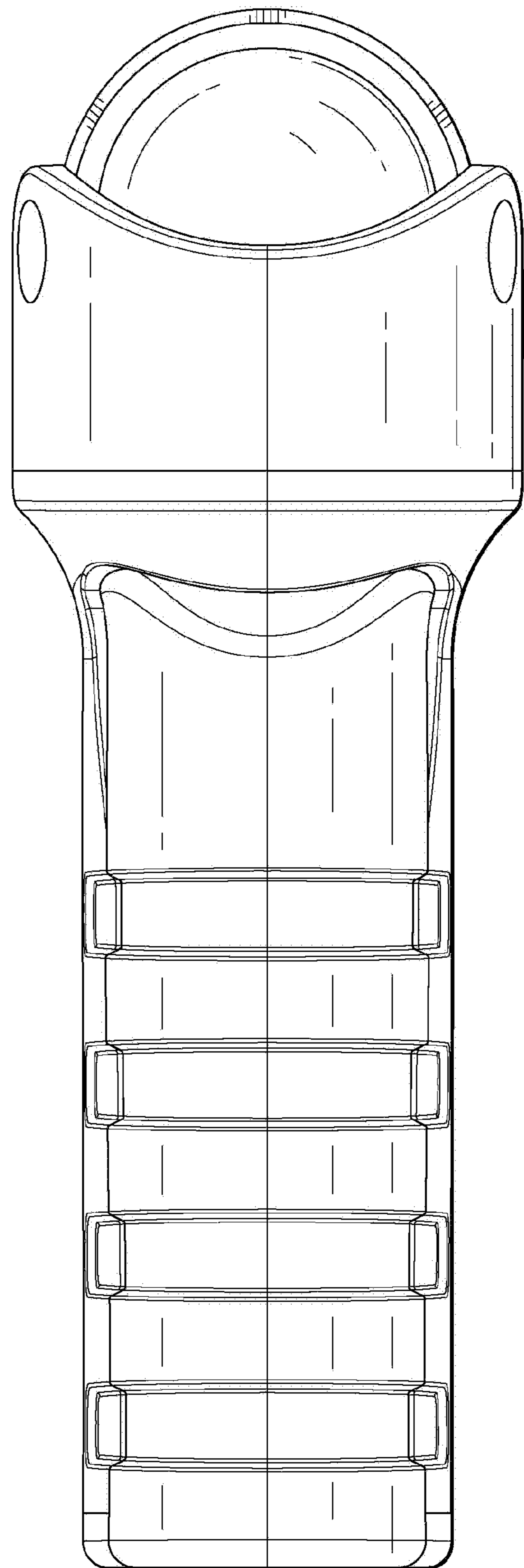


FIG. 3

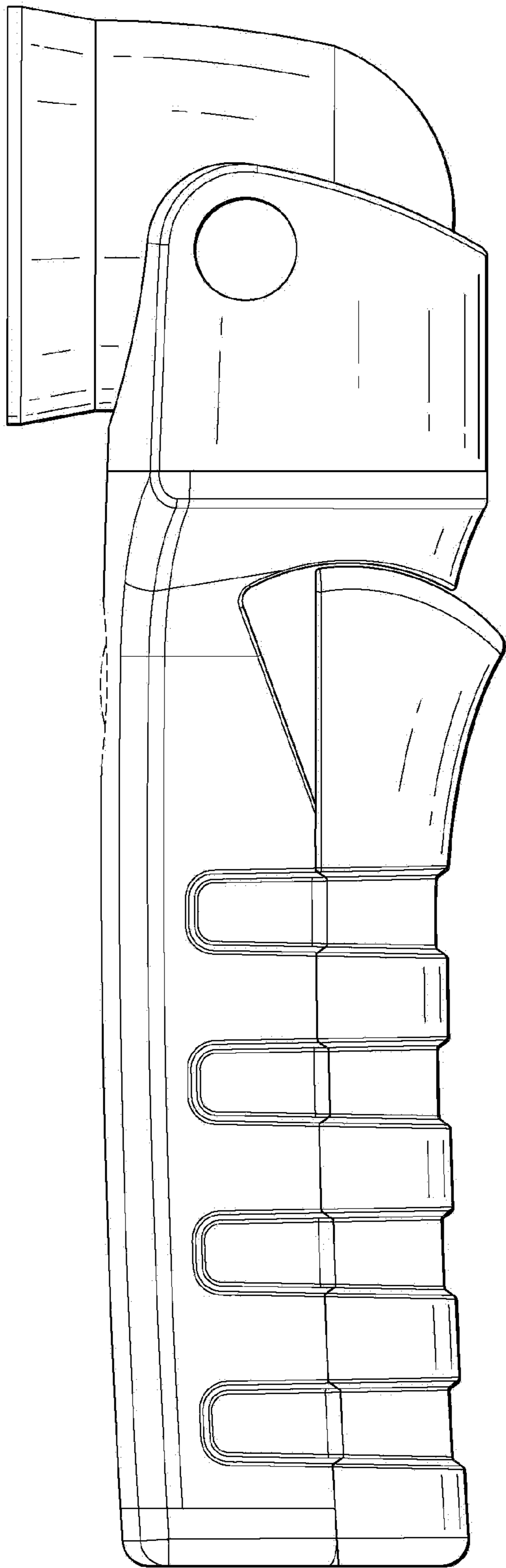


FIG. 4

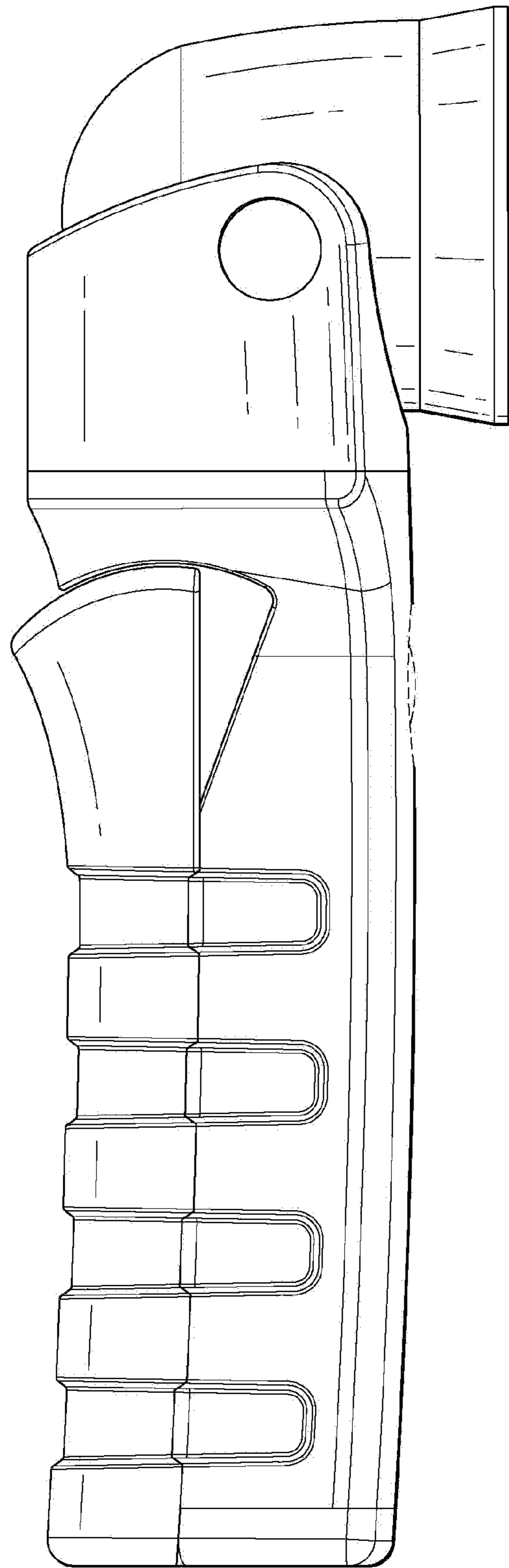


FIG. 5

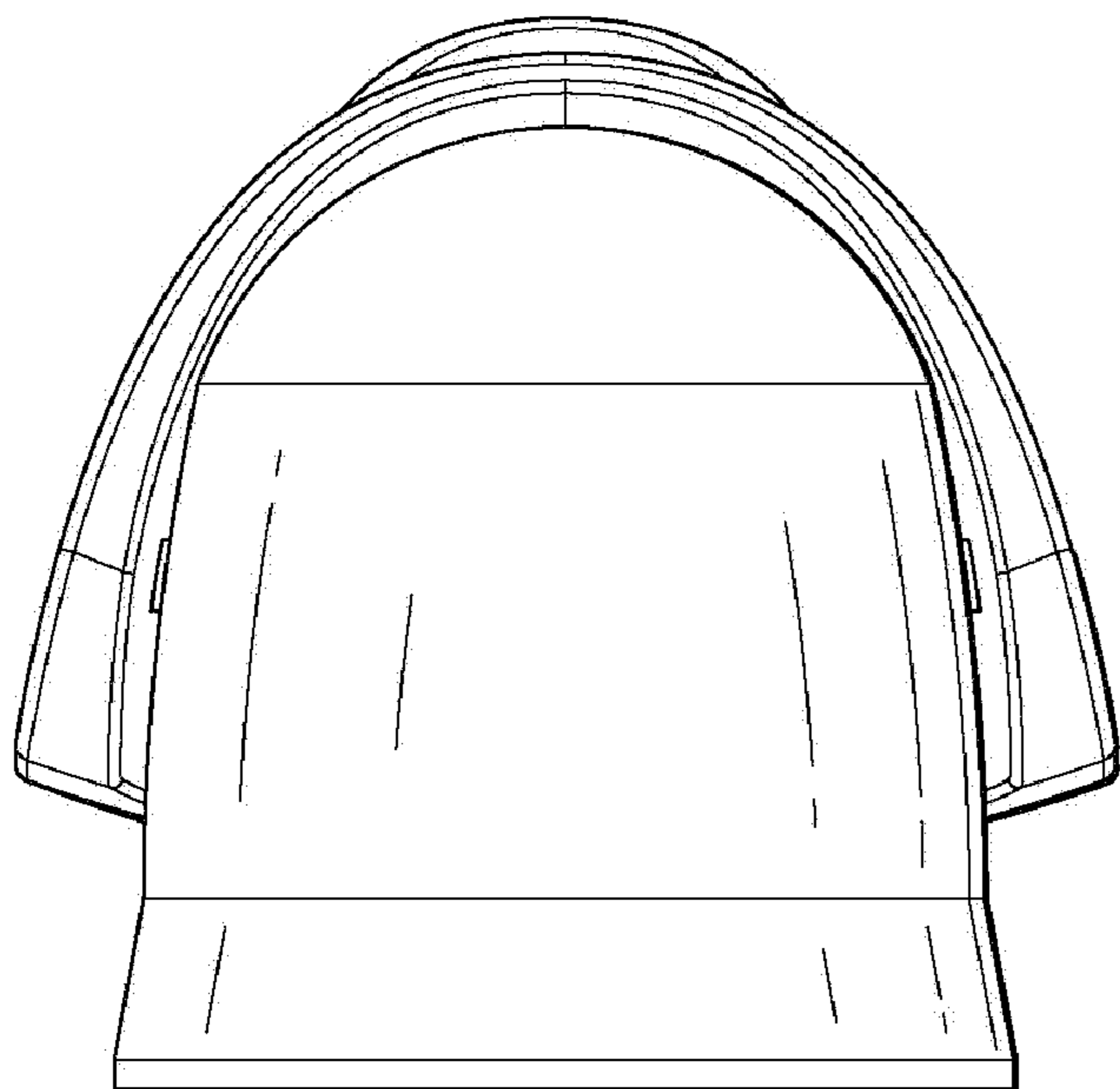


FIG. 6

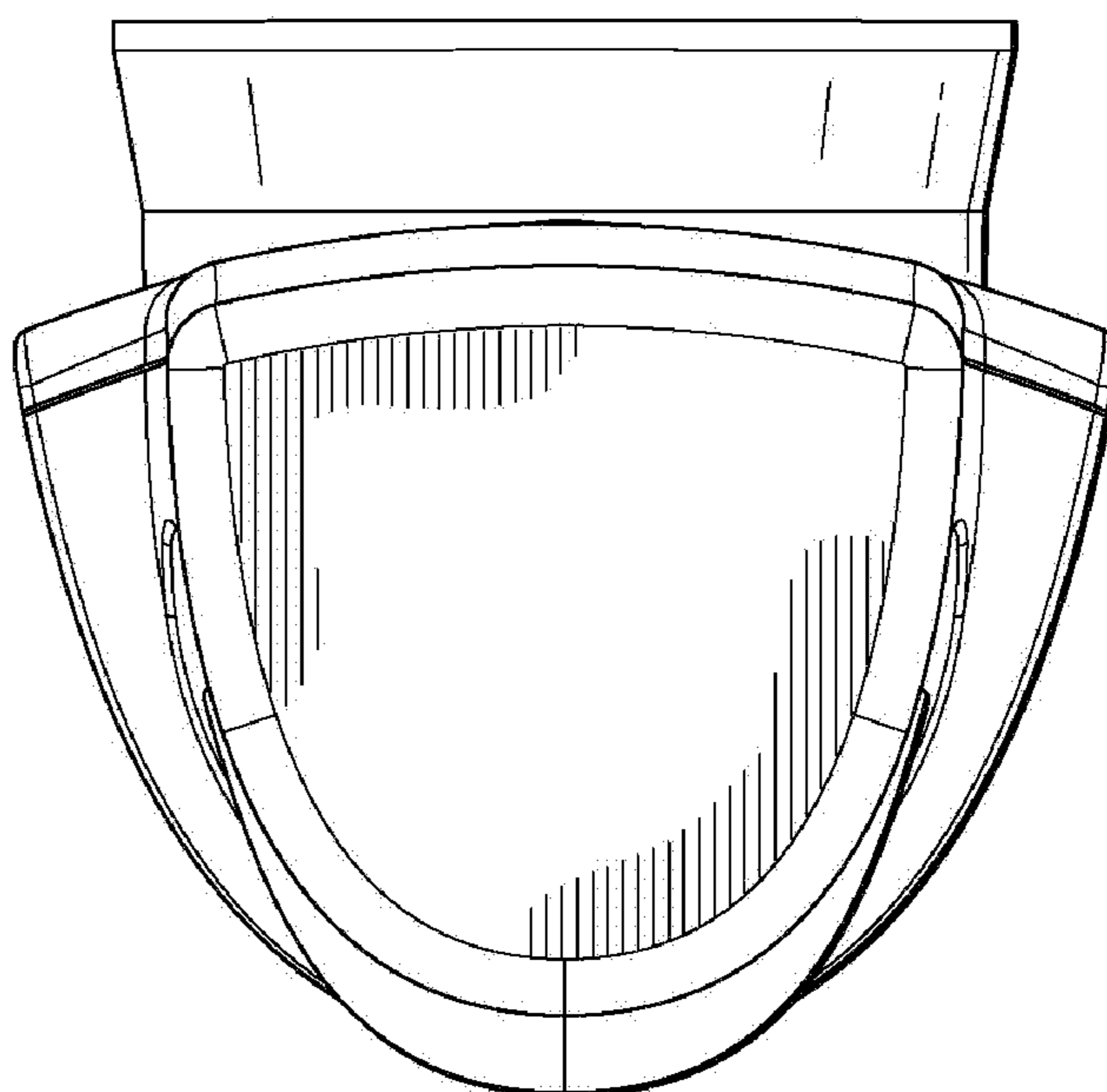


FIG. 7

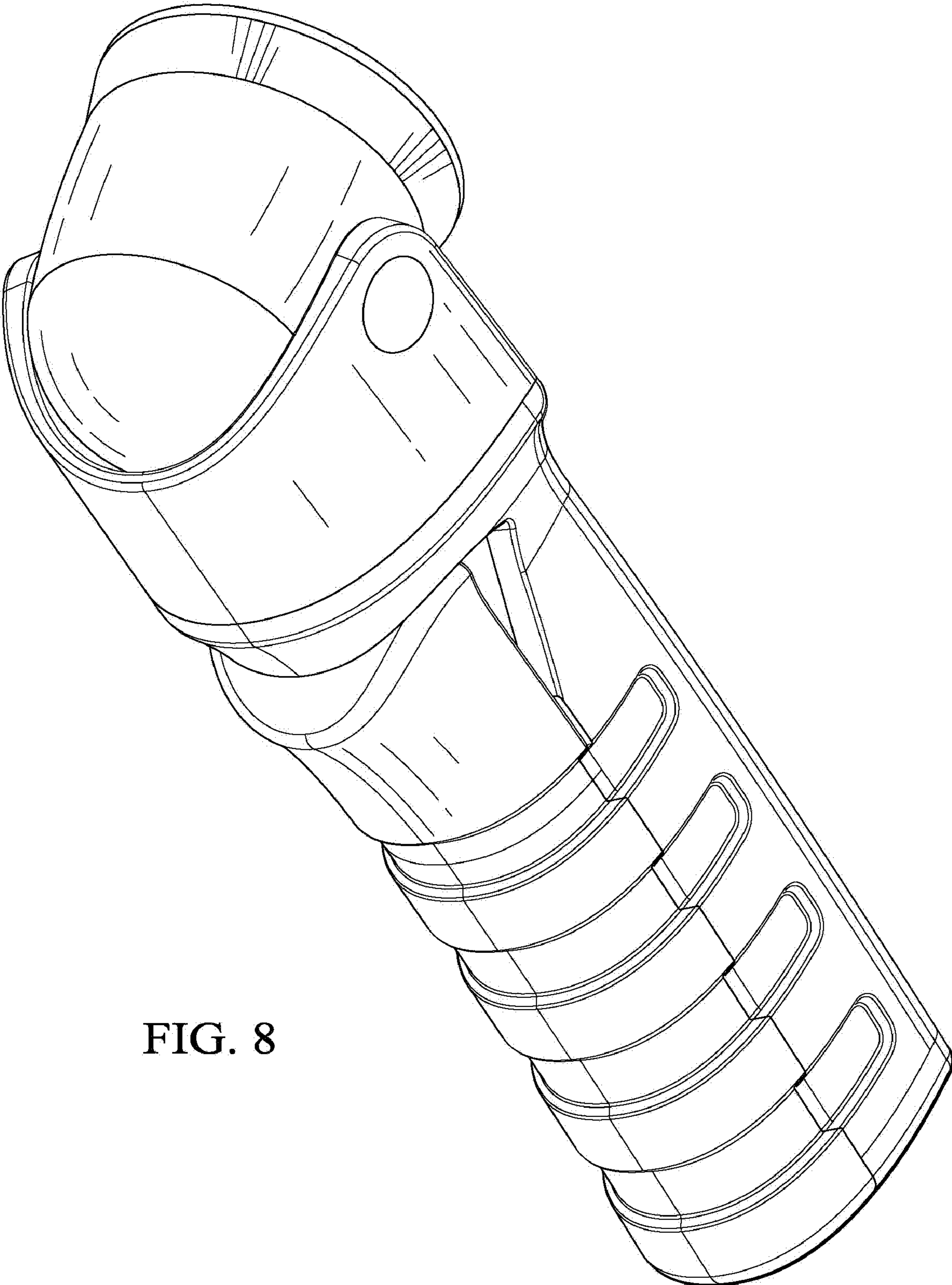


FIG. 8