



US00D605794S

(12) **United States Design Patent**
Engebrigtsen

(10) **Patent No.:** **US D605,794 S**

(45) **Date of Patent:** **** Dec. 8, 2009**

(54) **LAMP**

(76) **Inventor:** **Jo Engebrigtsen**, Ola Valdris vei 8,
NO-1357 Bekkestua (NO)

(**) **Term:** **14 Years**

(21) **Appl. No.:** **29/321,504**

(22) **Filed:** **Jul. 17, 2008**

(30) **Foreign Application Priority Data**

Jan. 25, 2008 (NO) 20080052

(51) **LOC (9) Cl.** **26-02**

(52) **U.S. Cl.** **D26/37**

(58) **Field of Classification Search** D26/37,
D26/46, 40, 41, 39; 362/157, 158, 183, 184,
362/185, 186, 190, 194-208

See application file for complete search history.

(56) **References Cited**

U.S. PATENT DOCUMENTS

- D222,500 S 10/1971 Gugeiot et al.
- D343,019 S 1/1994 Garrity
- 5,797,672 A * 8/1998 Dobert 362/190
- D484,270 S 12/2003 Yiu
- D544,117 S * 6/2007 Coughaine D26/37
- D561,921 S * 2/2008 Aleksjew D26/37
- D561,924 S 2/2008 Yiu

- D563,017 S 2/2008 Waedeled
- D577,836 S * 9/2008 Engebrigtsen D26/24
- D578,686 S * 10/2008 Dalton D26/37
- 2003/0030745 A1 * 2/2003 Meek et al. 348/370

* cited by examiner

Primary Examiner—Ian Simmons

Assistant Examiner—Carissa C Fitts

(74) *Attorney, Agent, or Firm*—Rodman & Rodman

(57) **CLAIM**

I hereby claim the ornamental design for a lamp, as shown and described.

DESCRIPTION

FIG. 1 is a front perspective view from above and one side of the new, original and ornamental design of the lamp;

FIG. 2 is a rear perspective view from below and one side of the lamp;

FIG. 3 is a front view of the lamp;

FIG. 4 is a rear view of the lamp;

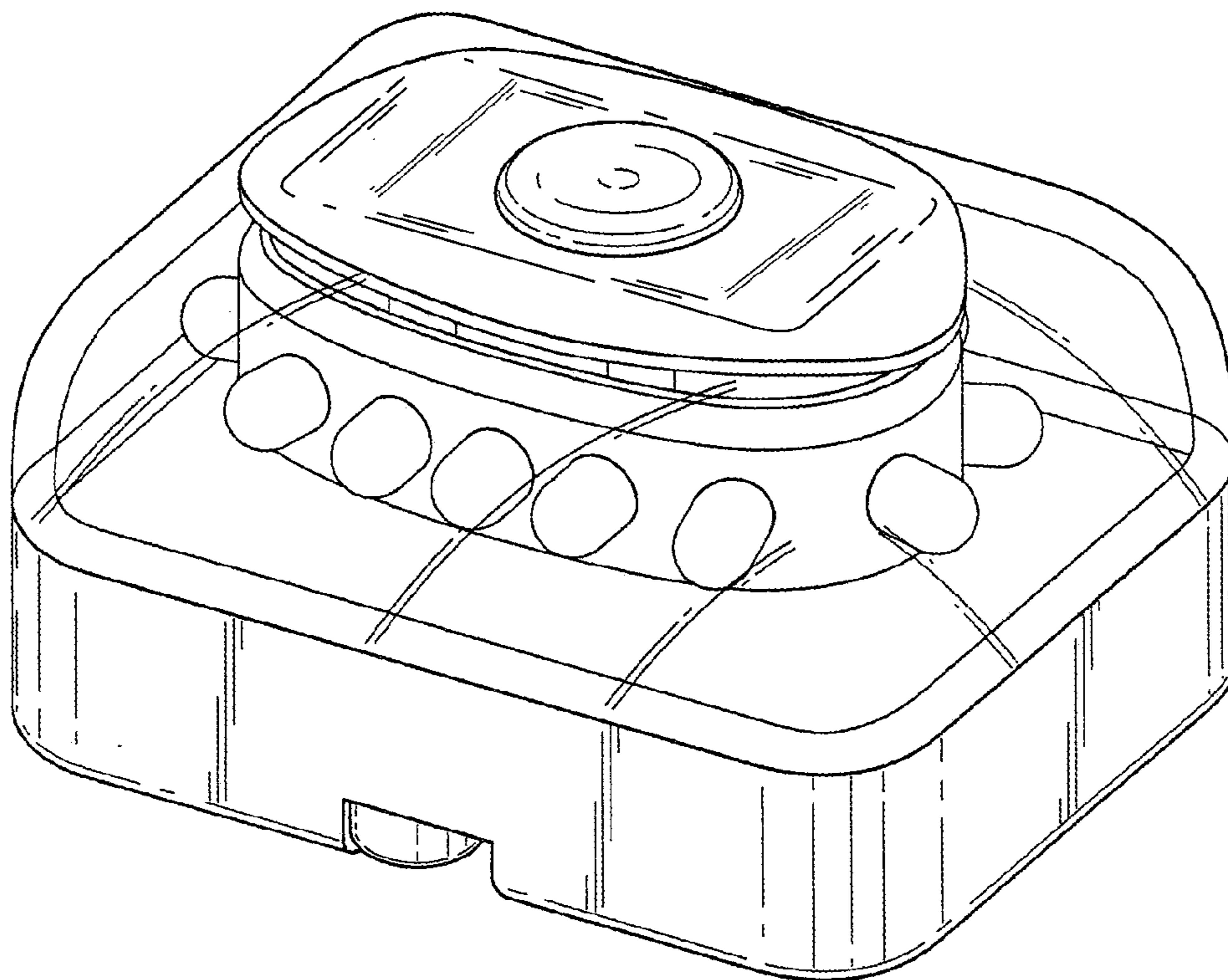
FIG. 5 is a plan view from above of the lamp;

FIG. 6 is a view from below of the lamp;

FIG. 7 is a side view of the lamp from said one side; and,

FIG. 8 is a side view of the lamp from the other side.

1 Claim, 6 Drawing Sheets



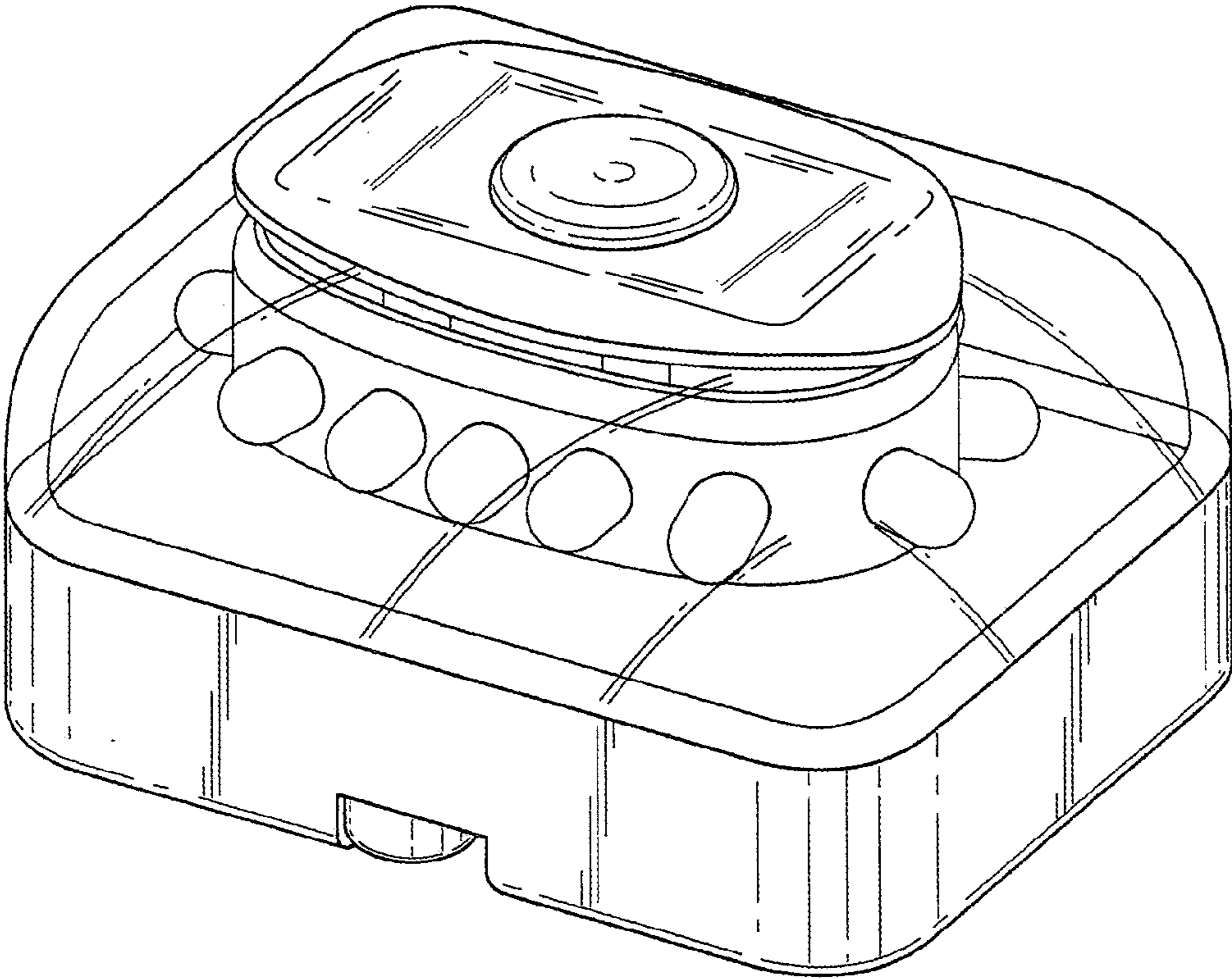


Fig. 1.

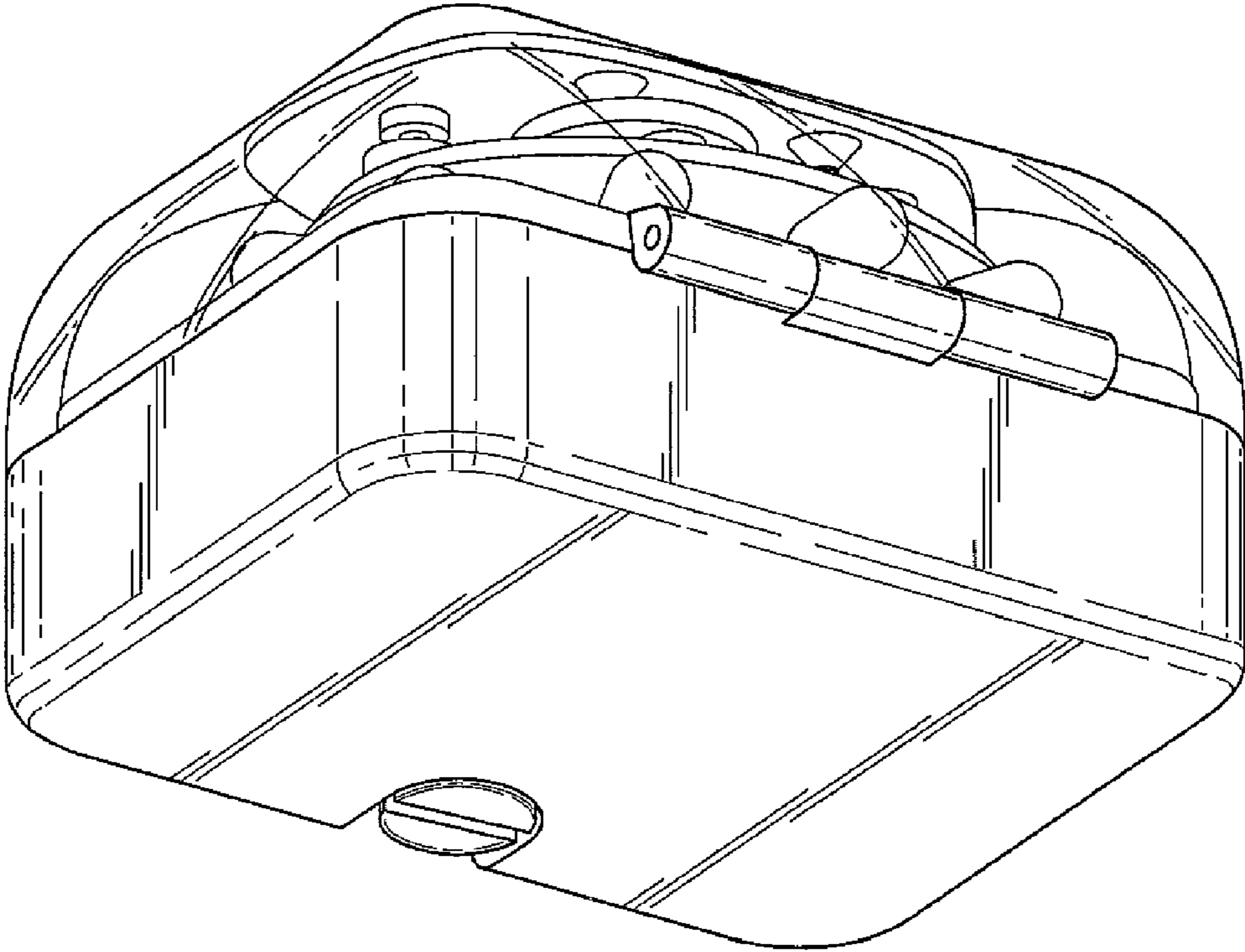


Fig.2.

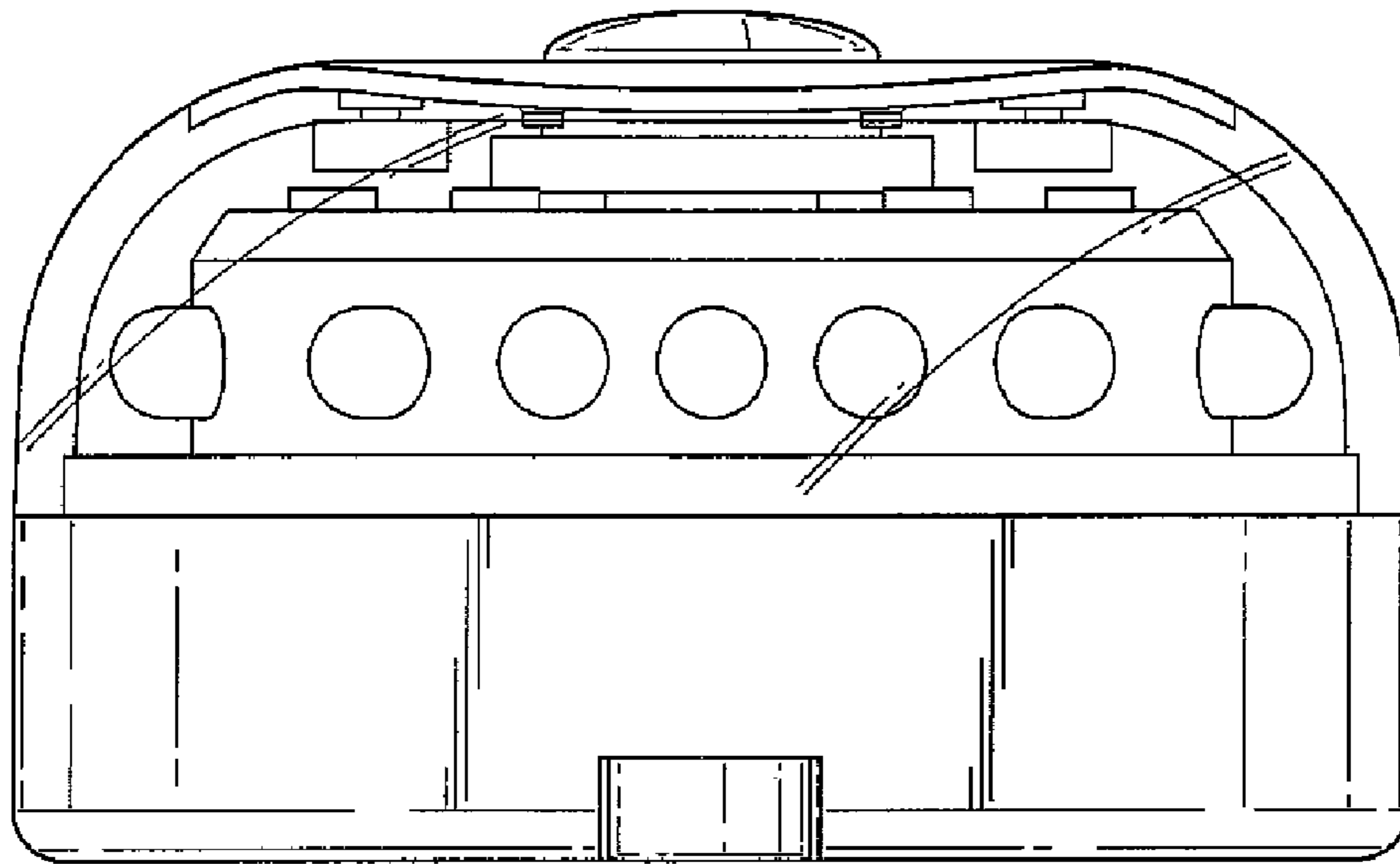


Fig.3.

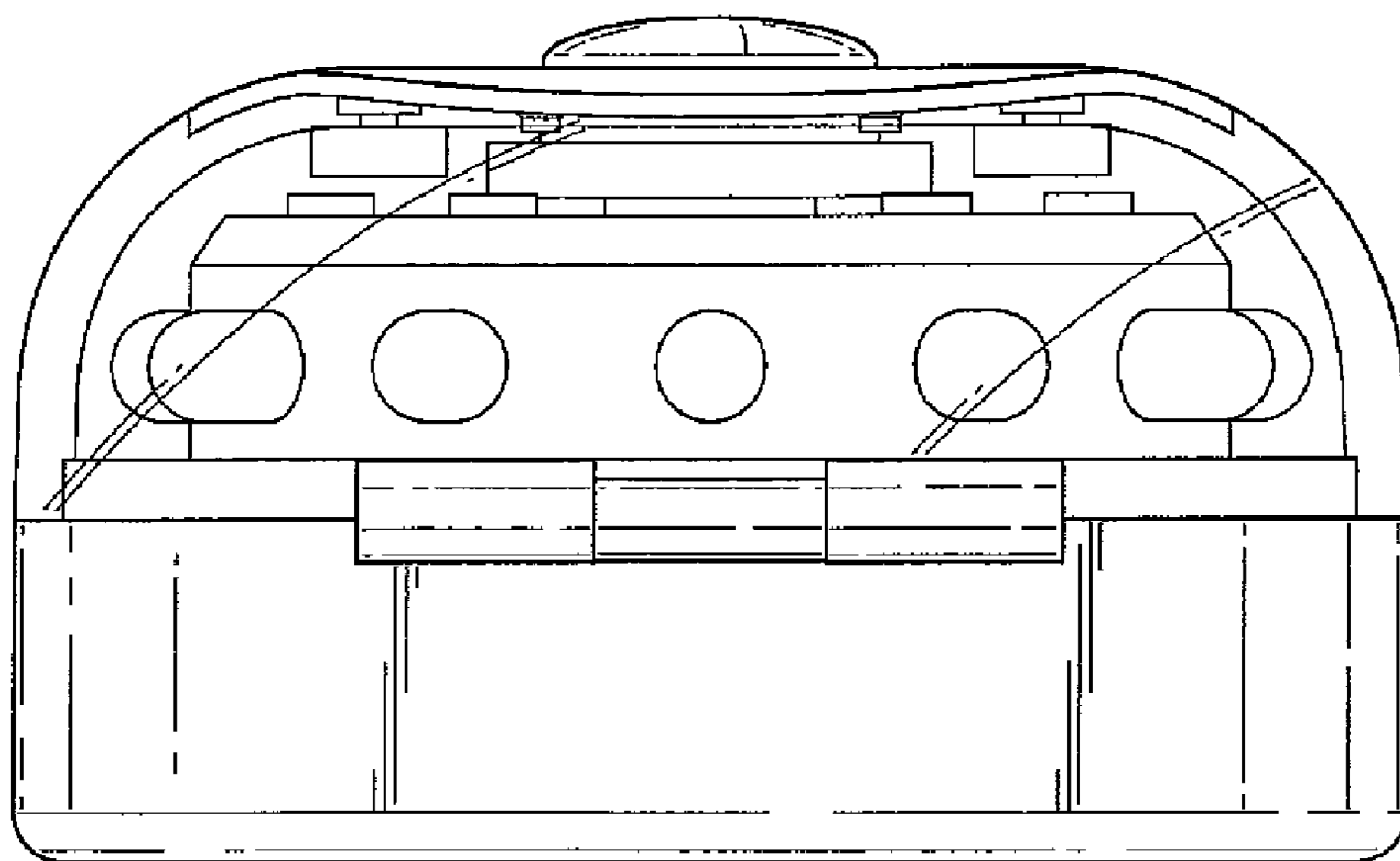


Fig.4.

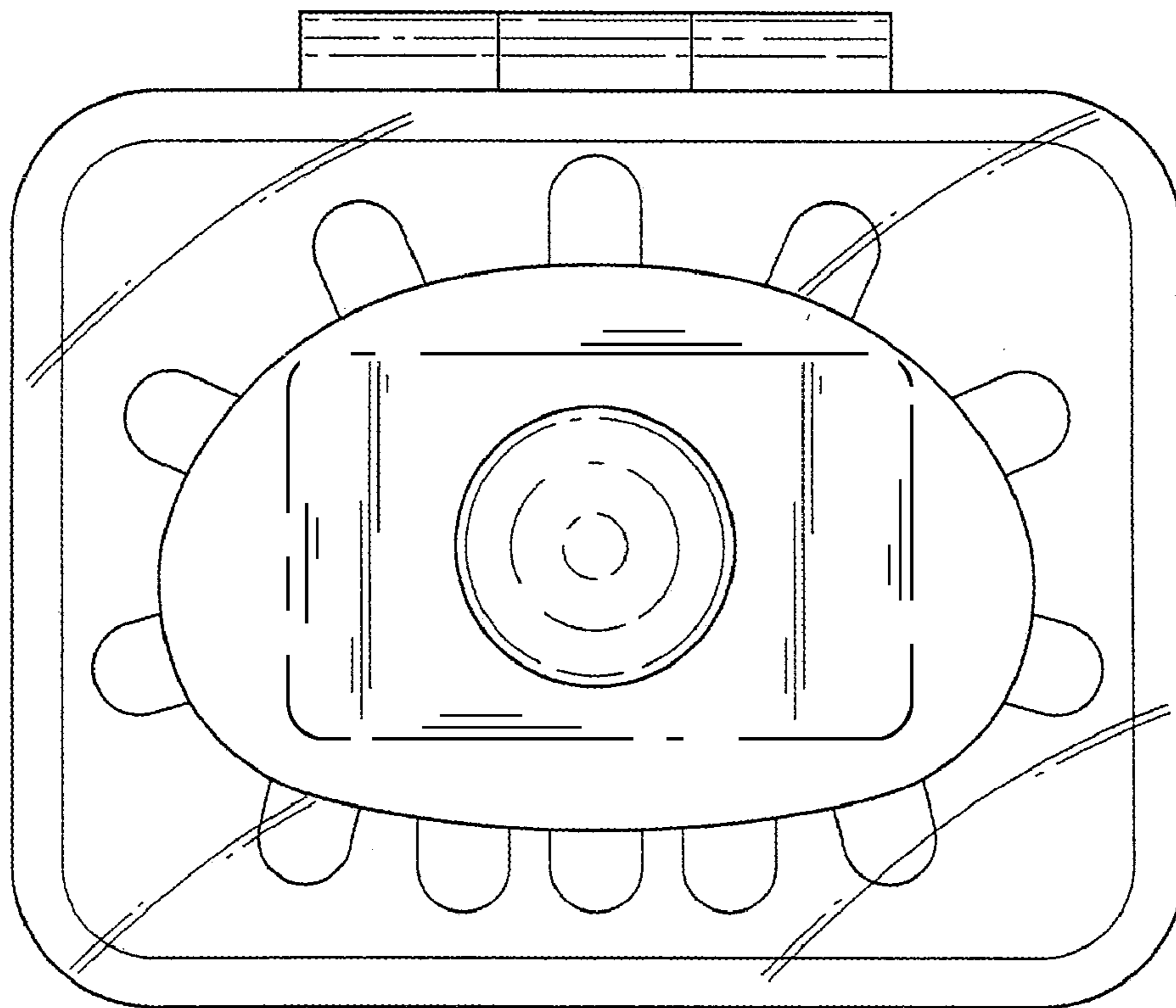


Fig. 5.

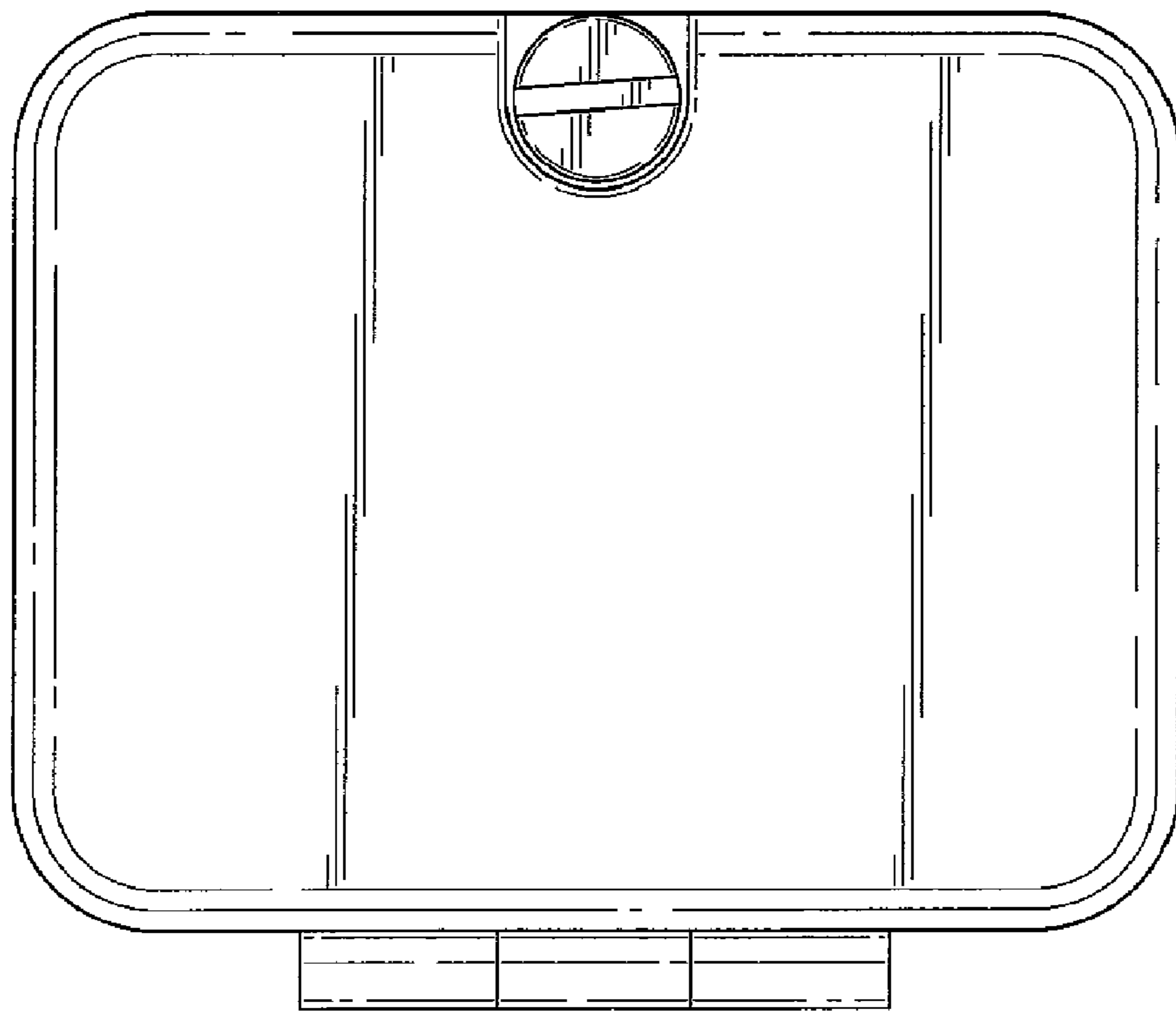


Fig.6.

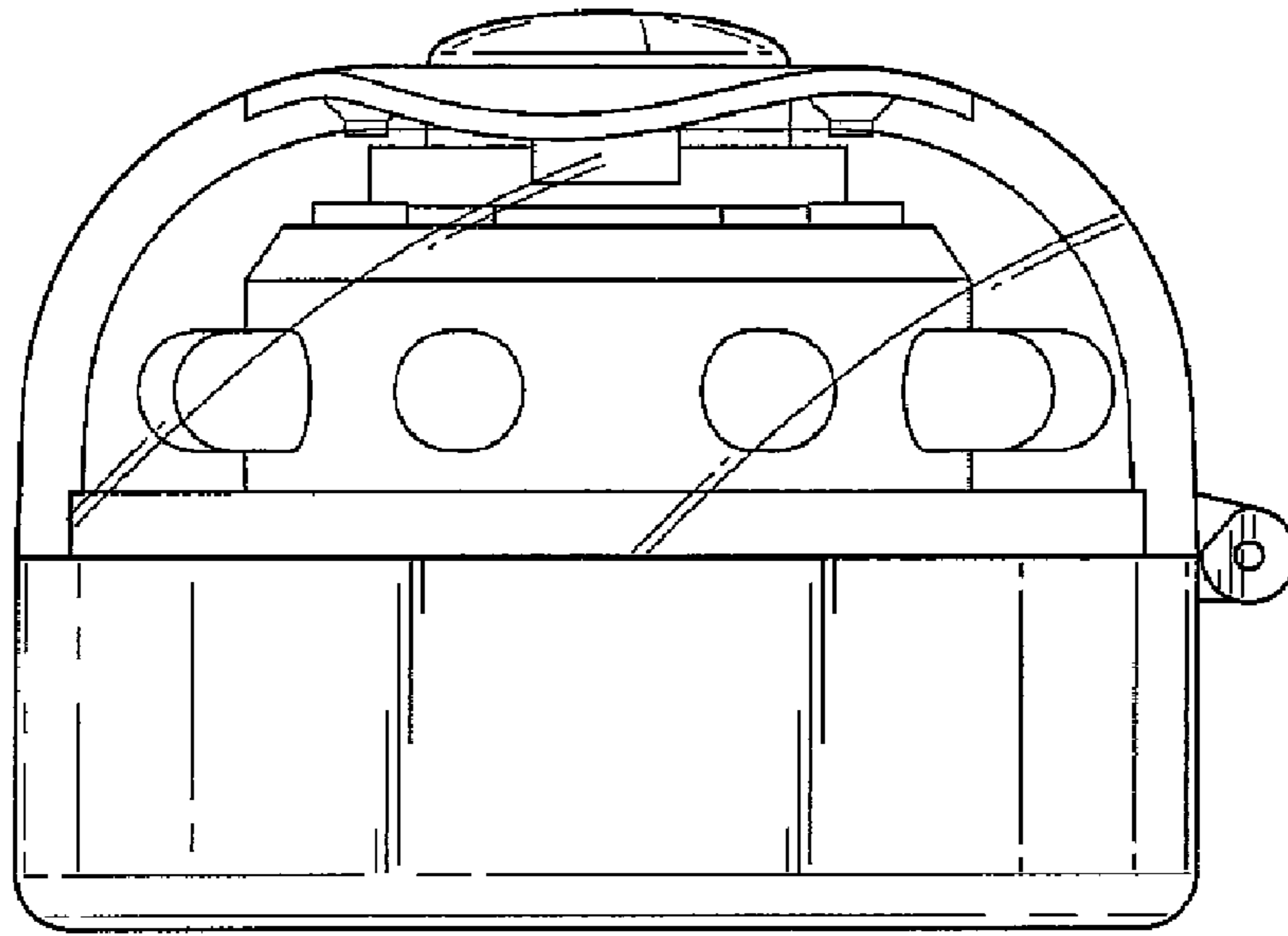


Fig.7.

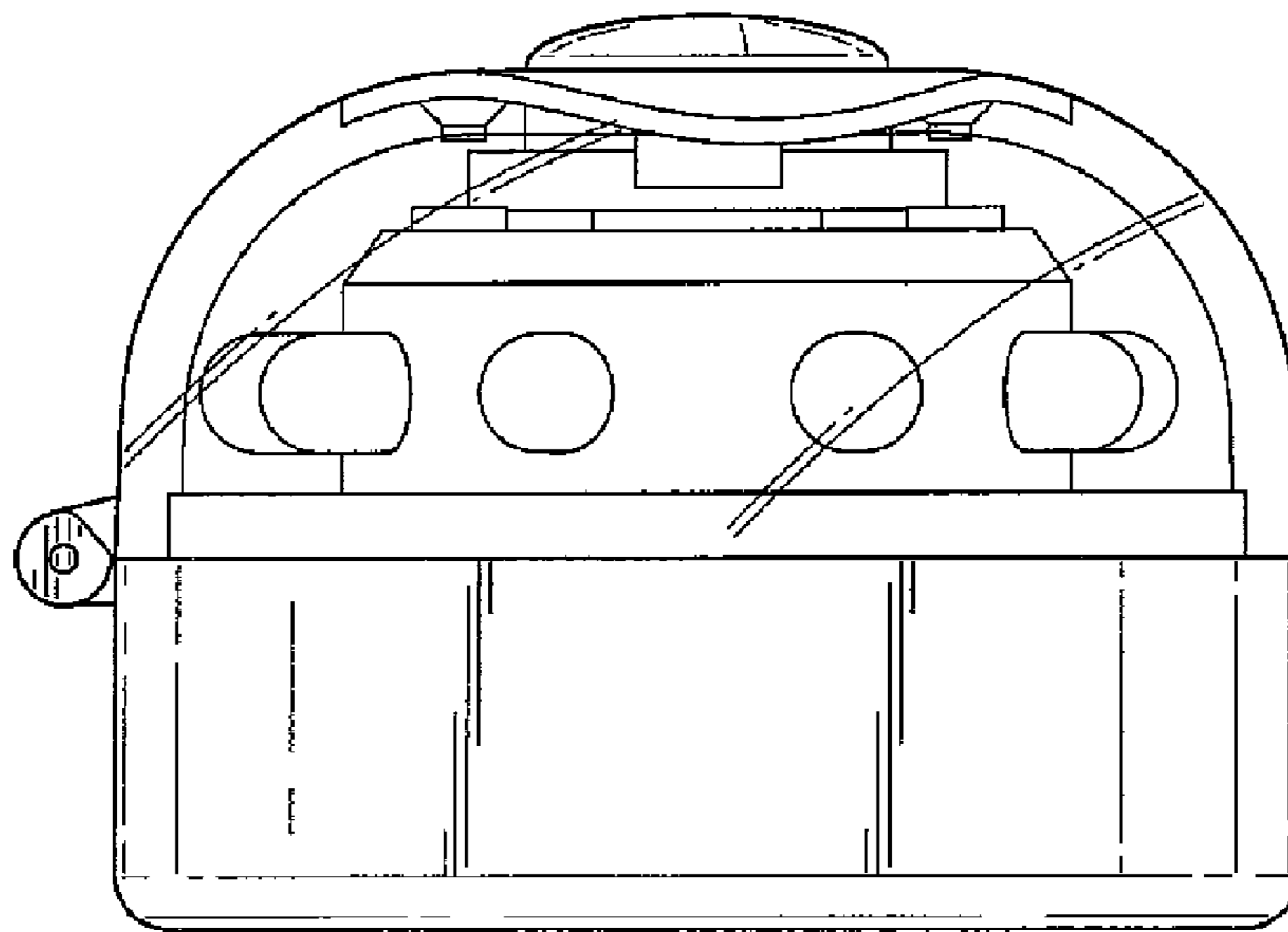


Fig.8.