



US00D605790S

(12) **United States Design Patent**
Hsing-Tsun

(10) **Patent No.:** **US D605,790 S**

(45) **Date of Patent:** **** Dec. 8, 2009**

(54) **BICYCLE HEADLIGHT**

(75) Inventor: **Chan Hsing-Tsun**, Taoyuan Hsien (TW)

(73) Assignee: **Portland Design Works**, Portland, OR
(US)

(**) Term: **14 Years**

(21) Appl. No.: **29/315,408**

(22) Filed: **Jun. 23, 2009**

(51) **LOC (9) Cl.** **26-06**

(52) **U.S. Cl.** **D26/28**

(58) **Field of Classification Search** D26/28-36;
362/459-468, 475-478, 485-487
See application file for complete search history.

(56) **References Cited**

U.S. PATENT DOCUMENTS

- D441,107 S * 4/2001 Okuda D26/28
- D441,471 S * 5/2001 Nagano D26/28
- D444,581 S * 7/2001 Okuda D26/28
- D446,466 S * 8/2001 Chiu D10/114
- D497,444 S * 10/2004 Okuda et al. D26/28
- D498,550 S * 11/2004 Chen D26/28

- D514,239 S * 1/2006 Okuda D26/28
- D540,481 S * 4/2007 Okuda D26/28
- D560,834 S * 1/2008 Nagano D26/28

* cited by examiner

Primary Examiner—Marcus A Jackson

(74) *Attorney, Agent, or Firm*—Jacobson and Johnson;
Thomas N. Phung

(57) **CLAIM**

The ornamental design for a bicycle headlight, as shown.

DESCRIPTION

FIG. 1 is a perspective view of a bicycle headlight, showing my design;

FIG. 2 is a top view;

FIG. 3 is a bottom view;

FIG. 4 is a left side elevation view;

FIG. 5 is a right side elevation view;

FIG. 6 is a front elevation view; and,

FIG. 7 is a rear elevation view.

1 Claim, 2 Drawing Sheets

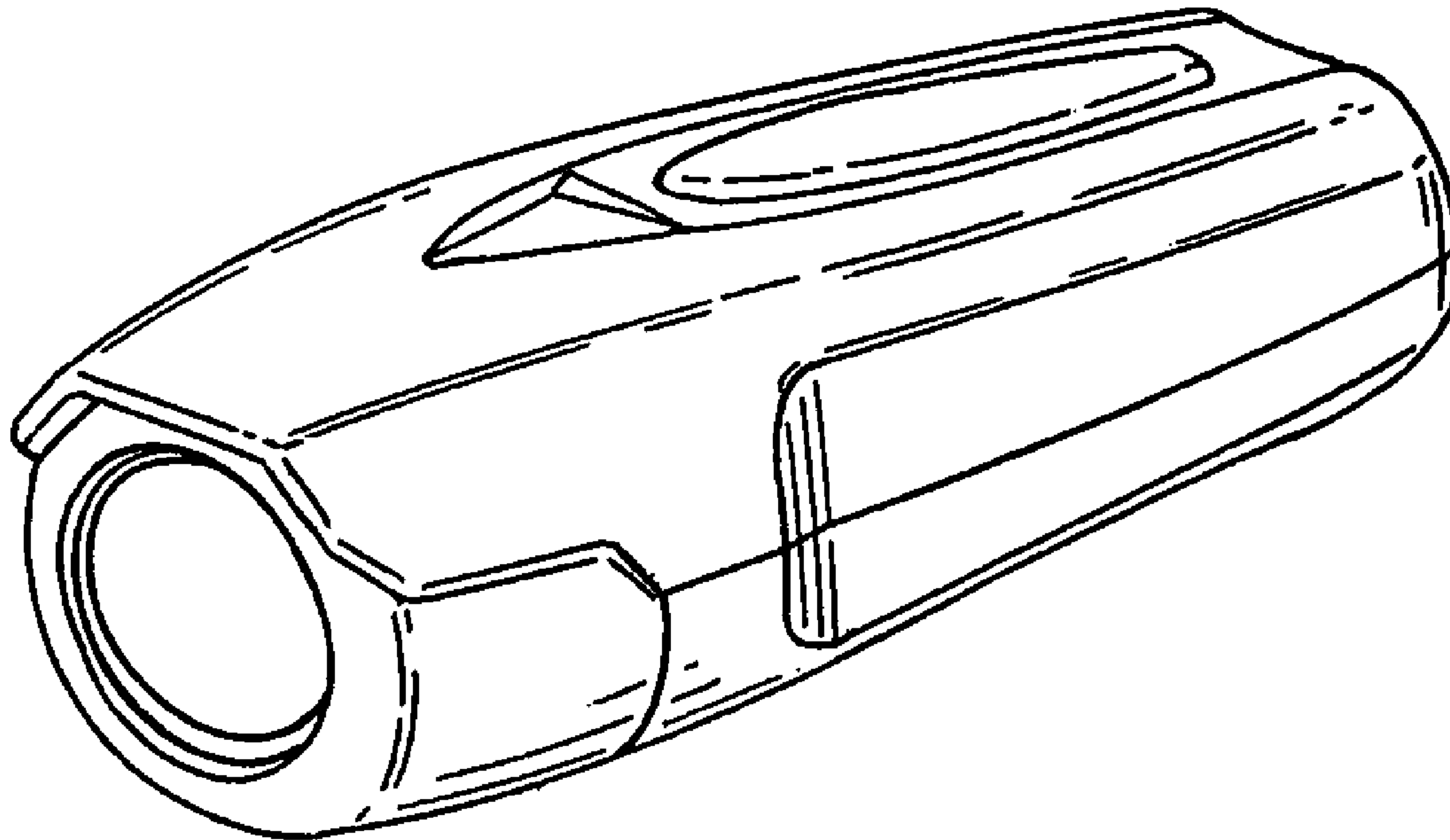


FIG. 1

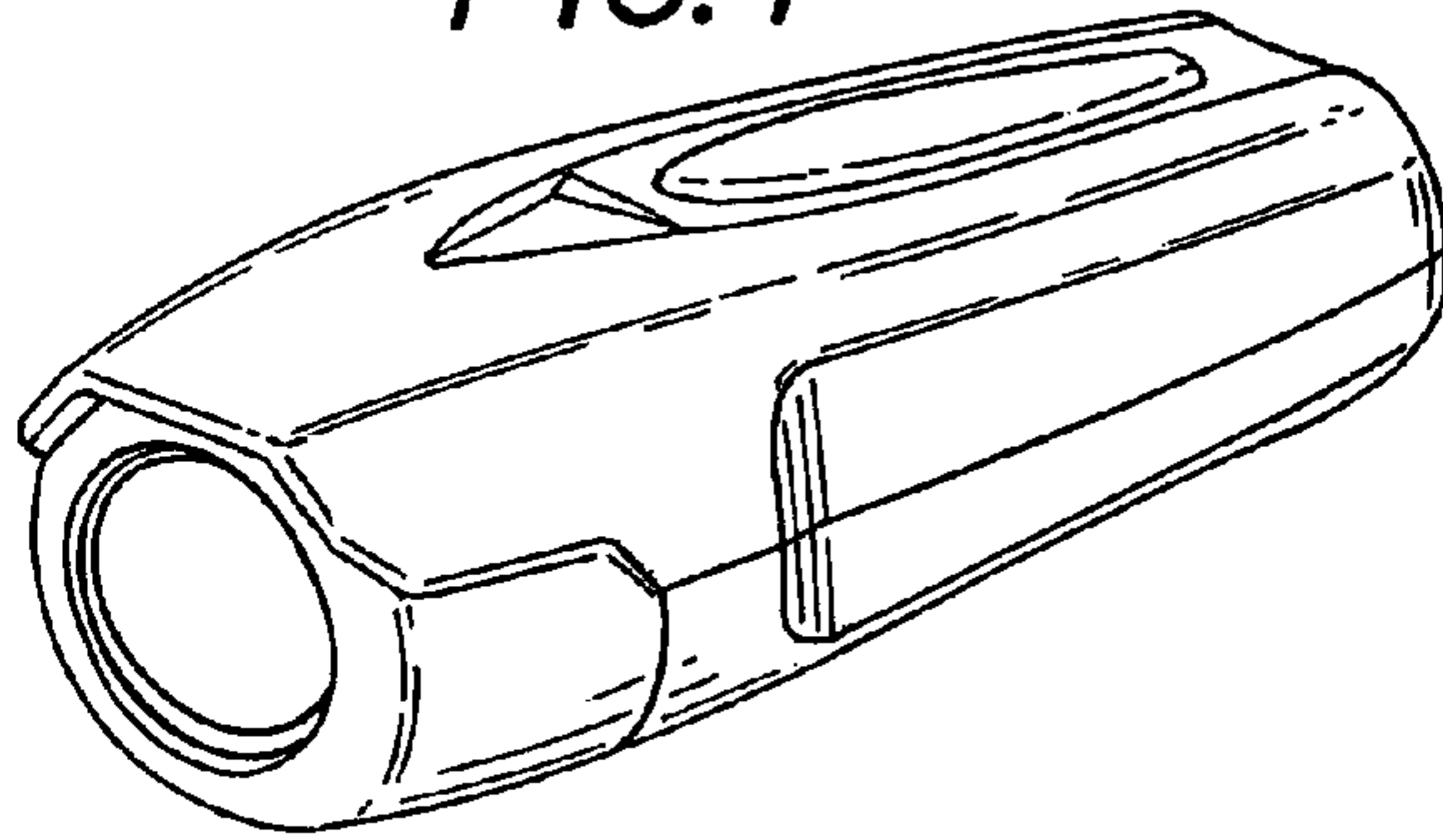


FIG. 2

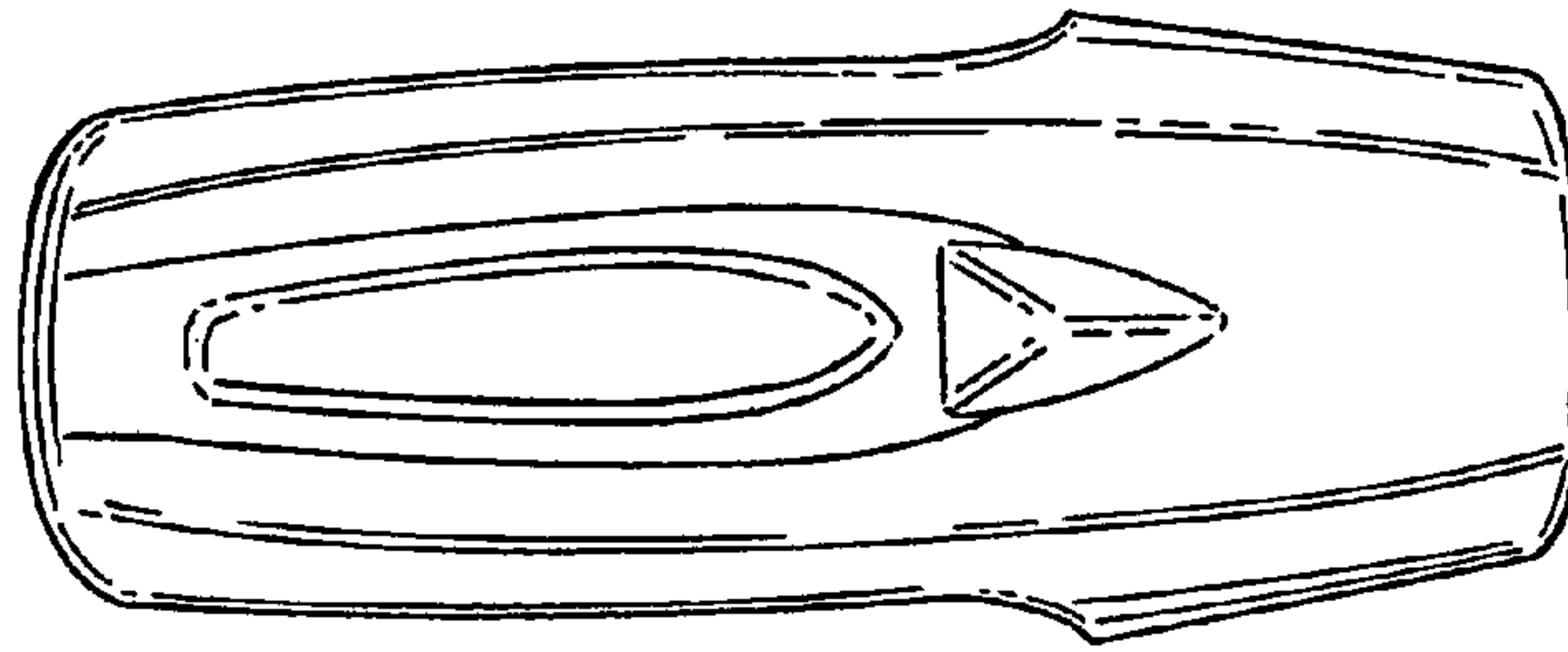


FIG. 3

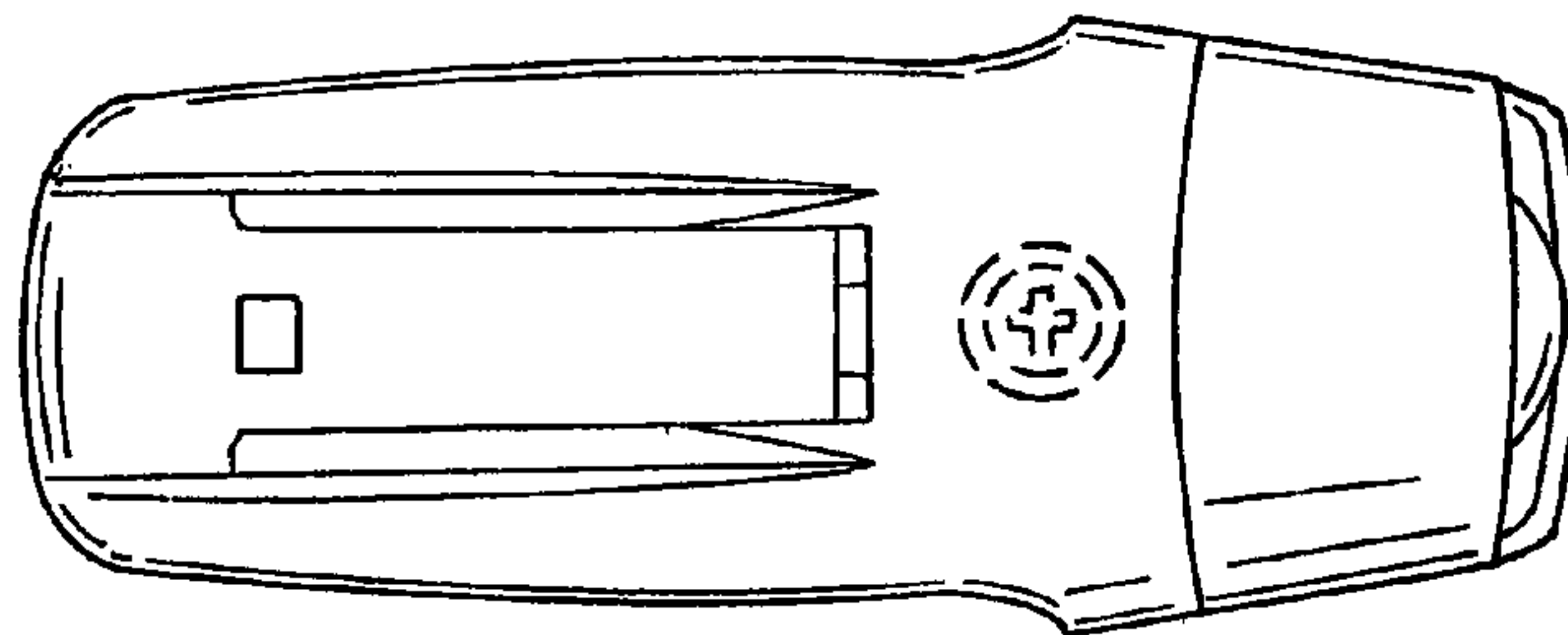


FIG. 4

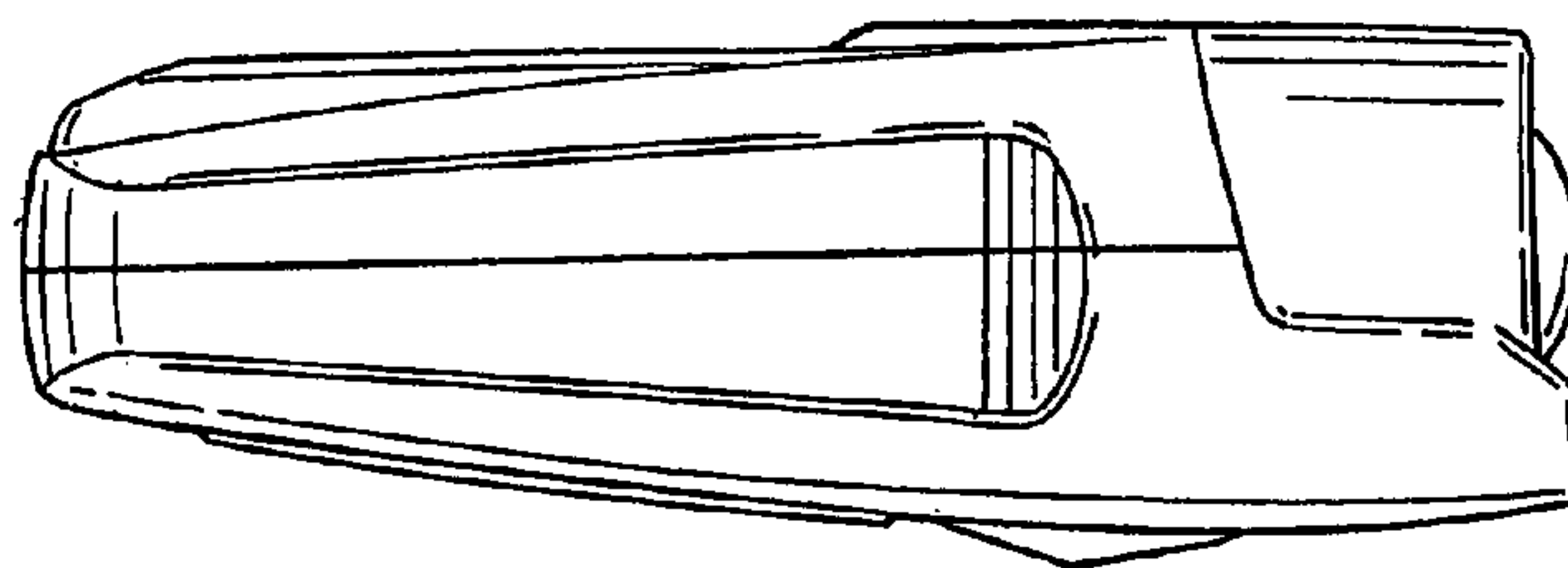


FIG. 5

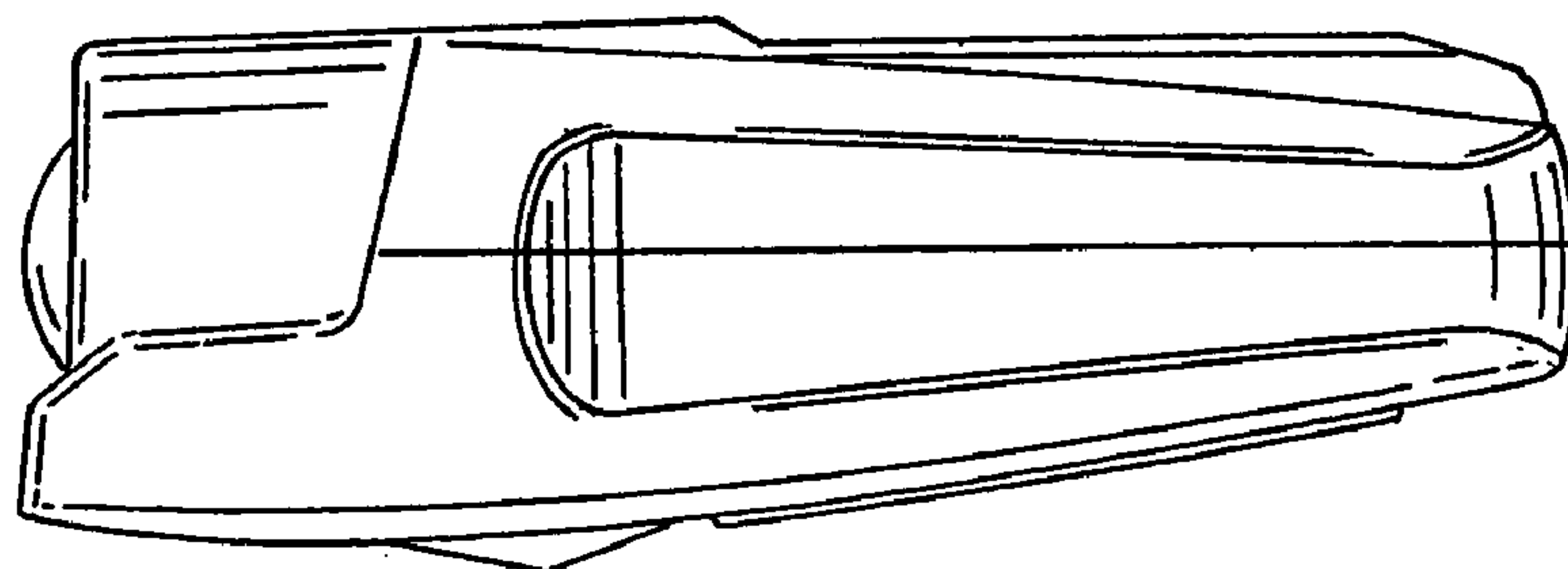


FIG. 6

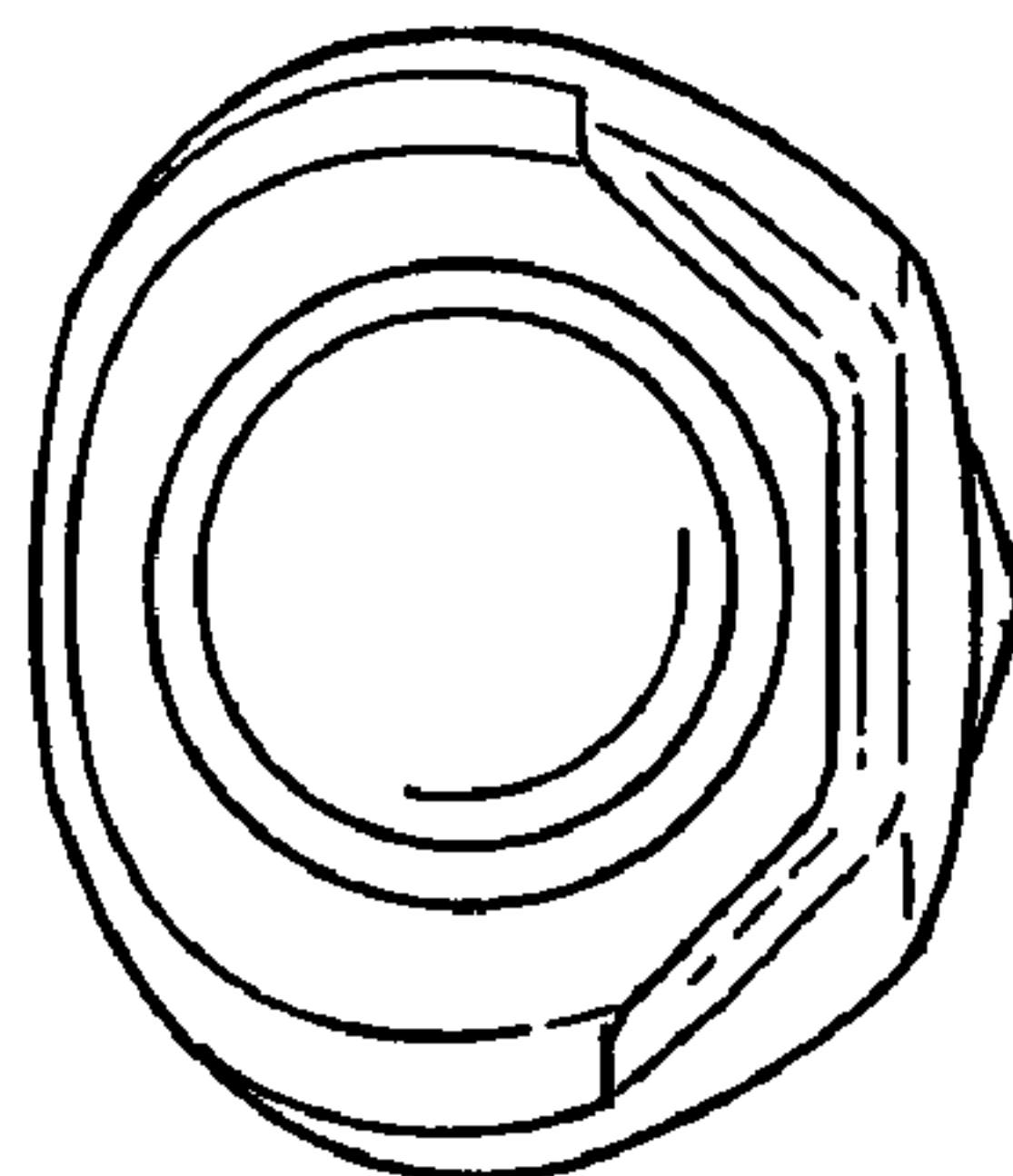


FIG. 7

