



US00D605789S

(12) **United States Design Patent**  
**Ko**

(10) **Patent No.:** **US D605,789 S**

(45) **Date of Patent:** **\*\* Dec. 8, 2009**

(54) **SEARCHLIGHT FOR HEAVY EQUIPMENT**

D585,575 S \* 1/2009 Crispin et al. .... D26/28

(75) Inventor: **In-Hong Ko**, Seoul (KR)

\* cited by examiner

(73) Assignee: **WOOKANG Tech Co., Ltd.**,  
Incheon-Si (KR)

*Primary Examiner*—Marcus A Jackson  
(74) *Attorney, Agent, or Firm*—GWIPS

(\*\*) Term: **14 Years**

(57) **CLAIM**

(21) Appl. No.: **29/311,179**

The ornamental design for a searchlight for heavy equipment,  
as shown and described.

(22) Filed: **Jan. 12, 2009**

(51) **LOC (9) Cl.** ..... **26-06**

(52) **U.S. Cl.** ..... **D26/28**

(58) **Field of Classification Search** ..... D26/28-36;  
362/459-468, 475-478, 485-487

See application file for complete search history.

**DESCRIPTION**

FIG. 1 is a perspective view showing a new design of a  
searchlight for heavy equipment.

FIG. 2 is a front view thereof.

FIG. 3 is a rear view thereof.

FIG. 4 is a left side view thereof.

FIG. 5 is a right side view thereof.

FIG. 6 is a plan view thereof; and,

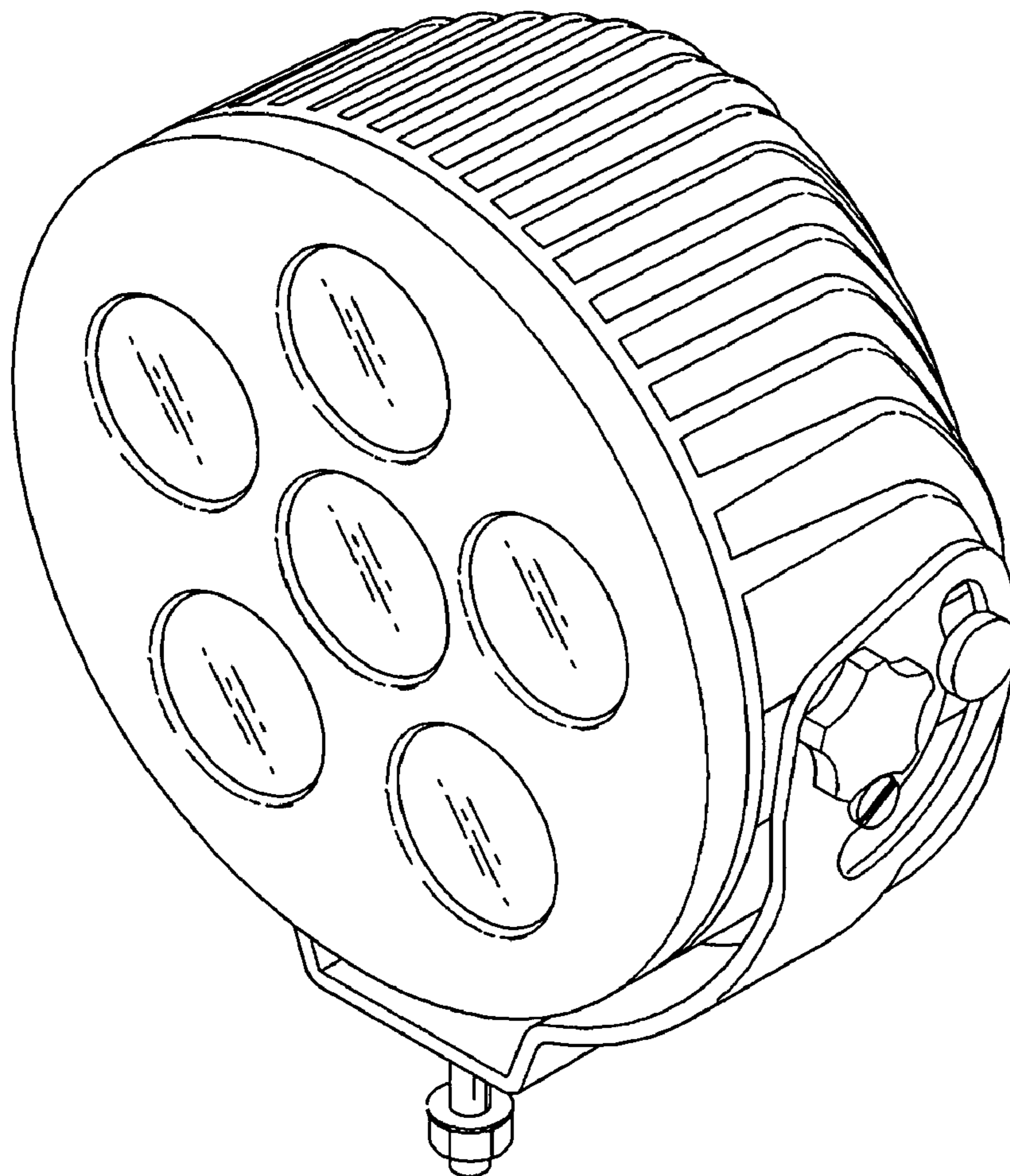
FIG. 7 is a bottom view thereof.

(56) **References Cited**

**U.S. PATENT DOCUMENTS**

D544,110 S *	6/2007	Hooker et al. ....	D26/2
D554,279 S *	10/2007	Jeffries .....	D26/28
D570,009 S *	5/2008	Kani et al. ....	D26/28
D574,978 S *	8/2008	Hyodo et al. ....	D26/28

**1 Claim, 6 Drawing Sheets**



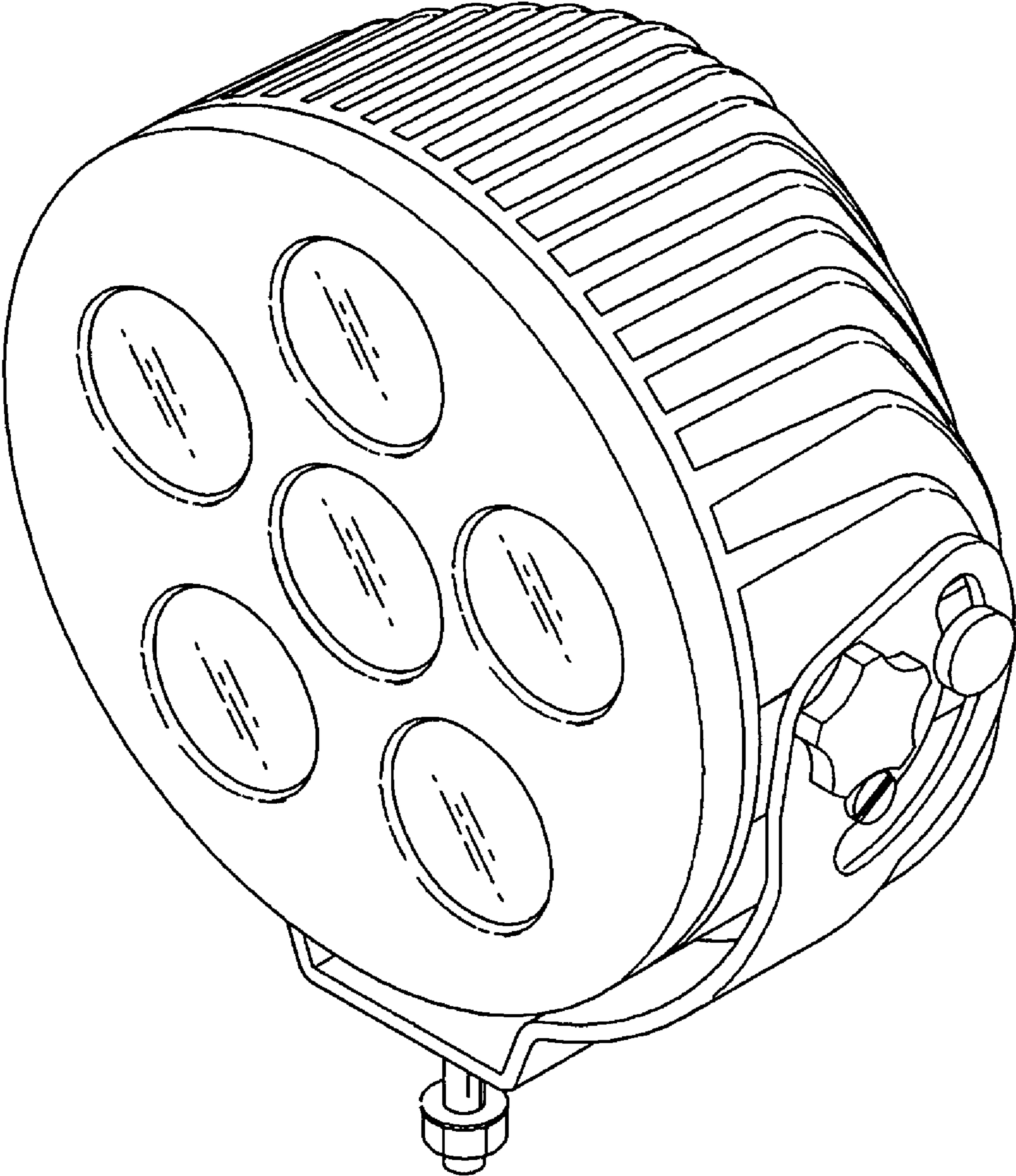


Fig. 1

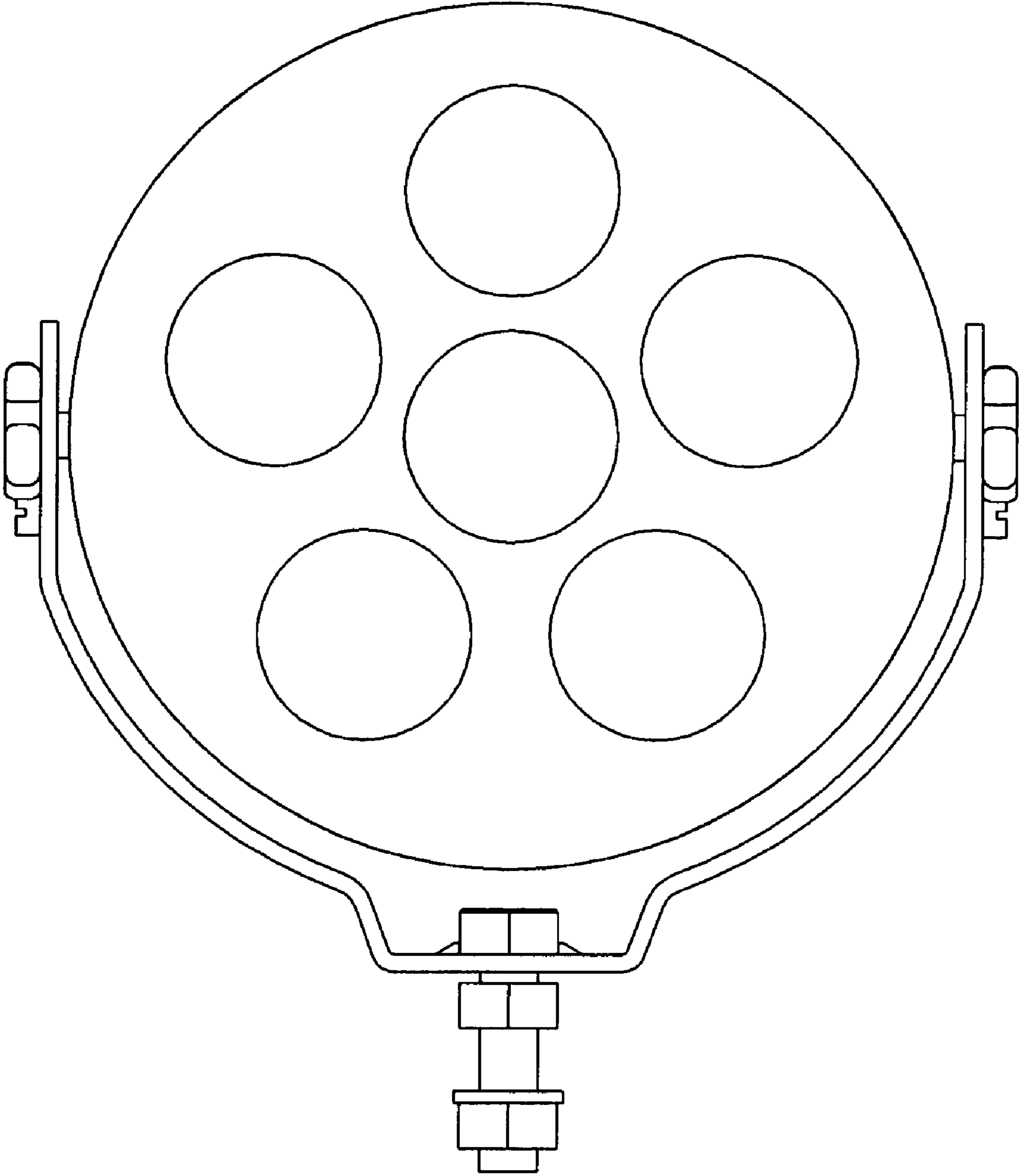


Fig. 2

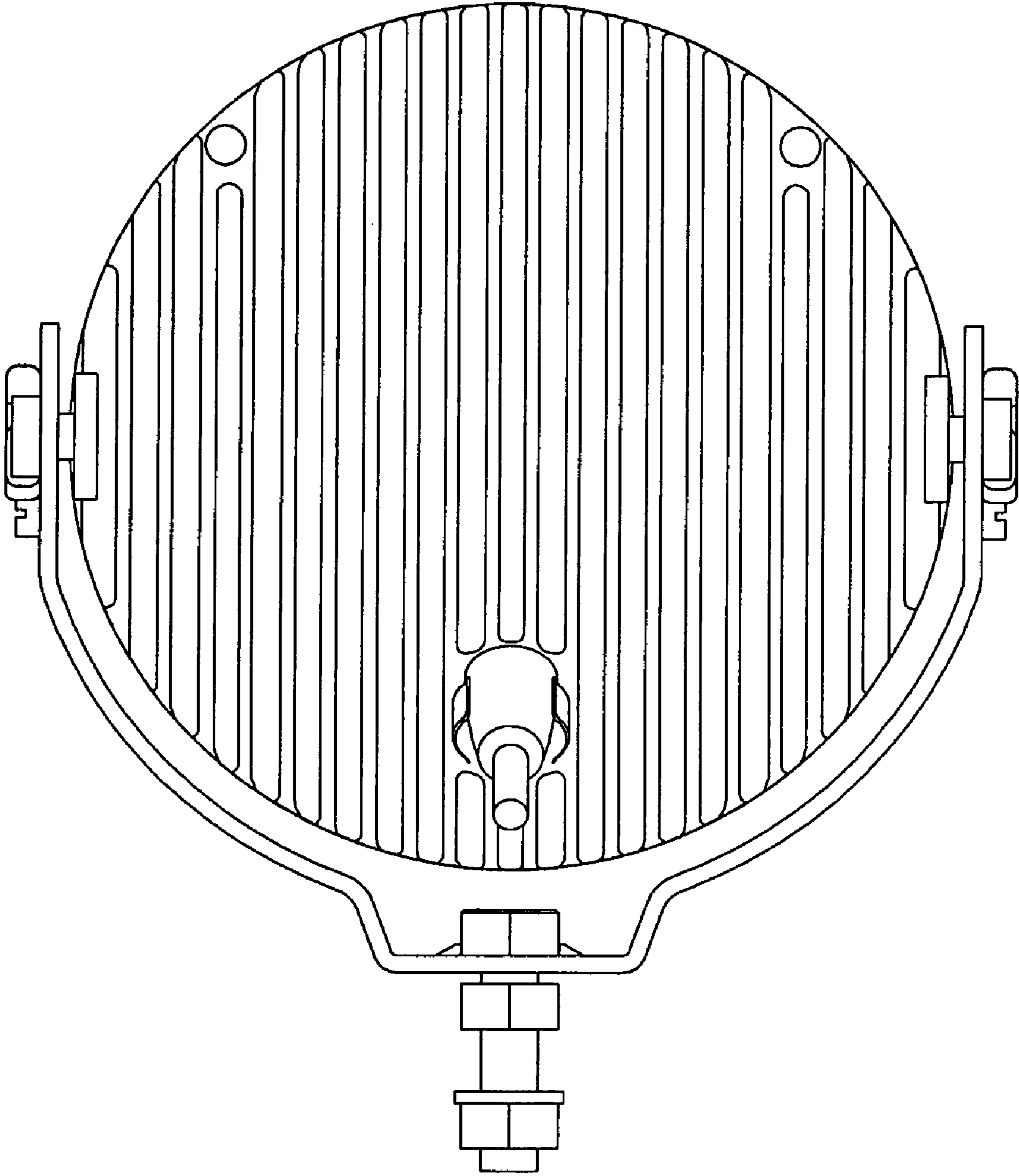


Fig. 3

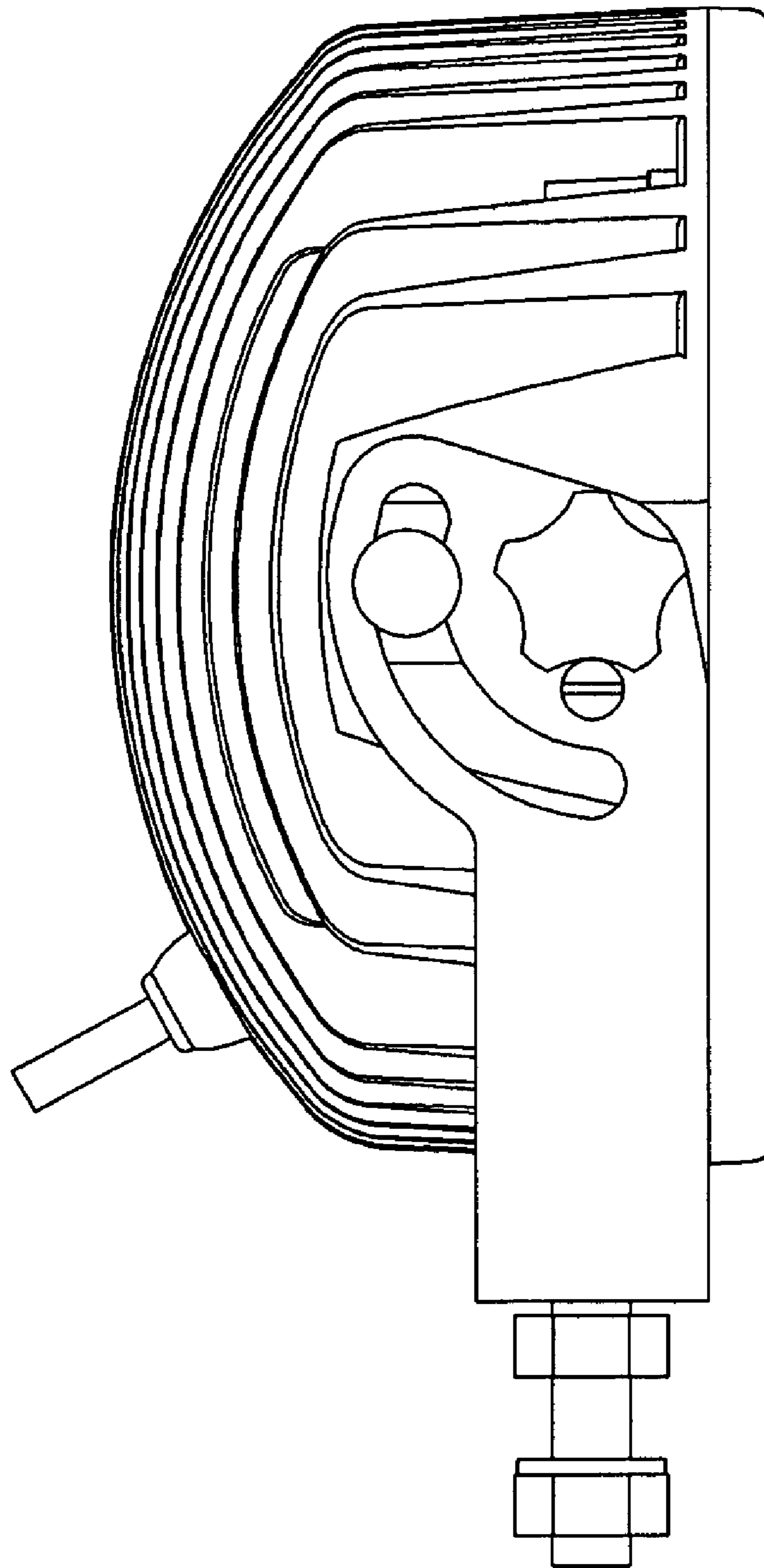
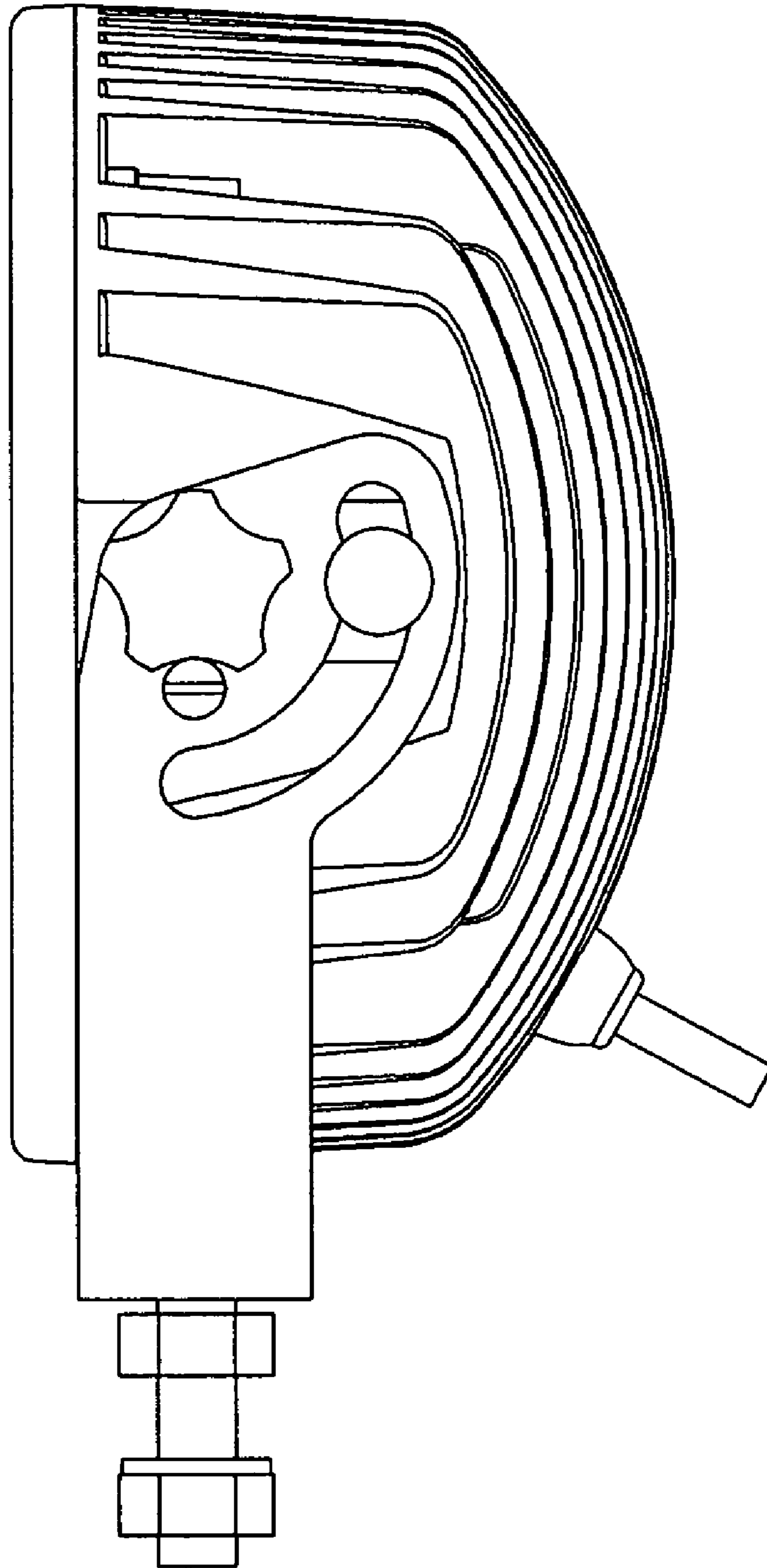


Fig. 4





**Fig. 5**

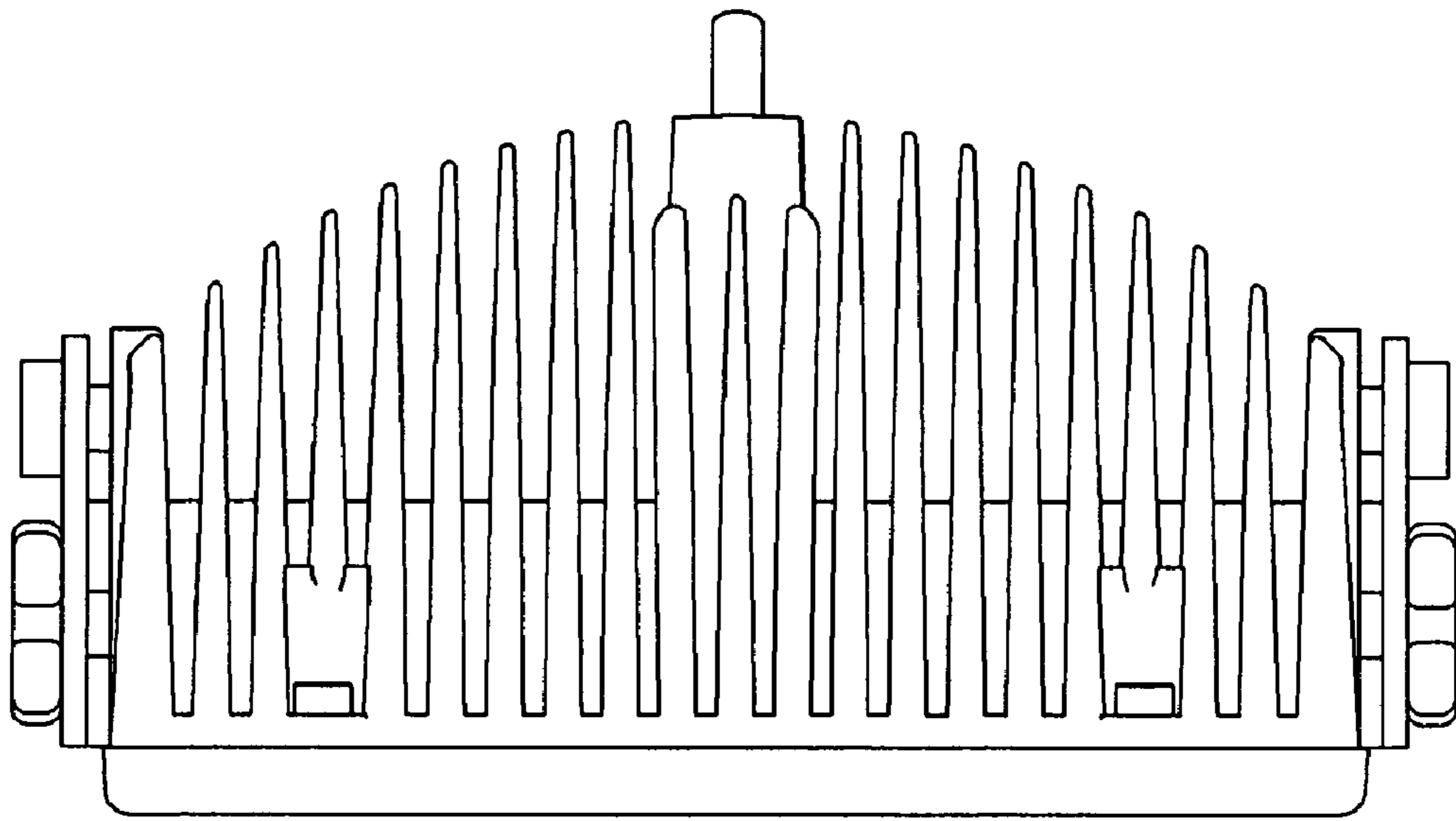


Fig. 6

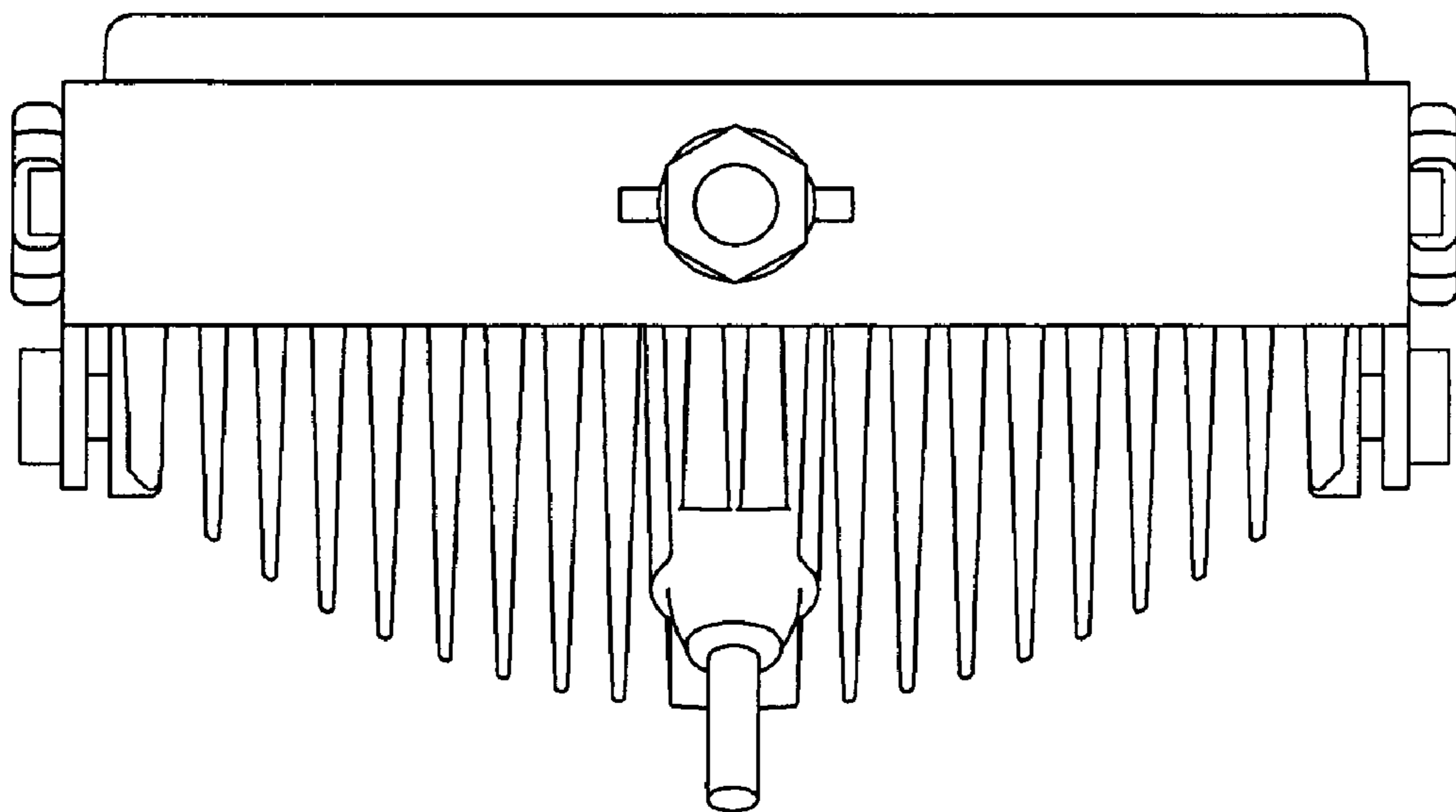


Fig. 7