



US00D605788S

(12) **United States Design Patent**  
**Ritzenhoff**

(10) **Patent No.:** **US D605,788 S**

(45) **Date of Patent:** **\*\* Dec. 8, 2009**

(54) **CANDLESTICK**

(75) Inventor: **Andreas Ritzenhoff**, Marburg (DE)

(73) Assignee: **Seidel GmbH & Co.**, Marburg (DE)

(\*\*) Term: **14 Years**

(21) Appl. No.: **29/319,903**

(22) Filed: **Jun. 17, 2008**

(30) **Foreign Application Priority Data**

Dec. 17, 2007 (EM) ..... 0008439820001

(51) **LOC (9) Cl.** ..... **26-01**

(52) **U.S. Cl.** ..... **D26/9**

(58) **Field of Classification Search** ..... D26/1-23,  
D26/114-137; D11/117; 428/7-11; 431/291,  
431/311, 320, 298, 288; 362/161-163, 351,  
362/569, 392

See application file for complete search history.

(56) **References Cited**

**U.S. PATENT DOCUMENTS**

D321,566 S \* 11/1991 Hoelterscheidt ..... D26/9

6,033,209 A \* 3/2000 Shin et al. .... 431/253

6,059,564 A \* 5/2000 Morris ..... 431/291  
2009/0104577 A1 \* 4/2009 Campbell et al. .... 431/289

\* cited by examiner

*Primary Examiner*—T. Chase Nelson

*Assistant Examiner*—Ania K Dworzecka

(74) *Attorney, Agent, or Firm*—Fredrikson & Byron, P.A.

(57) **CLAIM**

I claim, the ornamental design for a candlestick, as shown and described.

**DESCRIPTION**

FIG. 1 is a bottom perspective view of a candlestick incorporating my new design;

FIG. 2 is a front elevational view thereof, the rear and side elevational views being a mirror image of that shown;

FIG. 3 is a front perspective view;

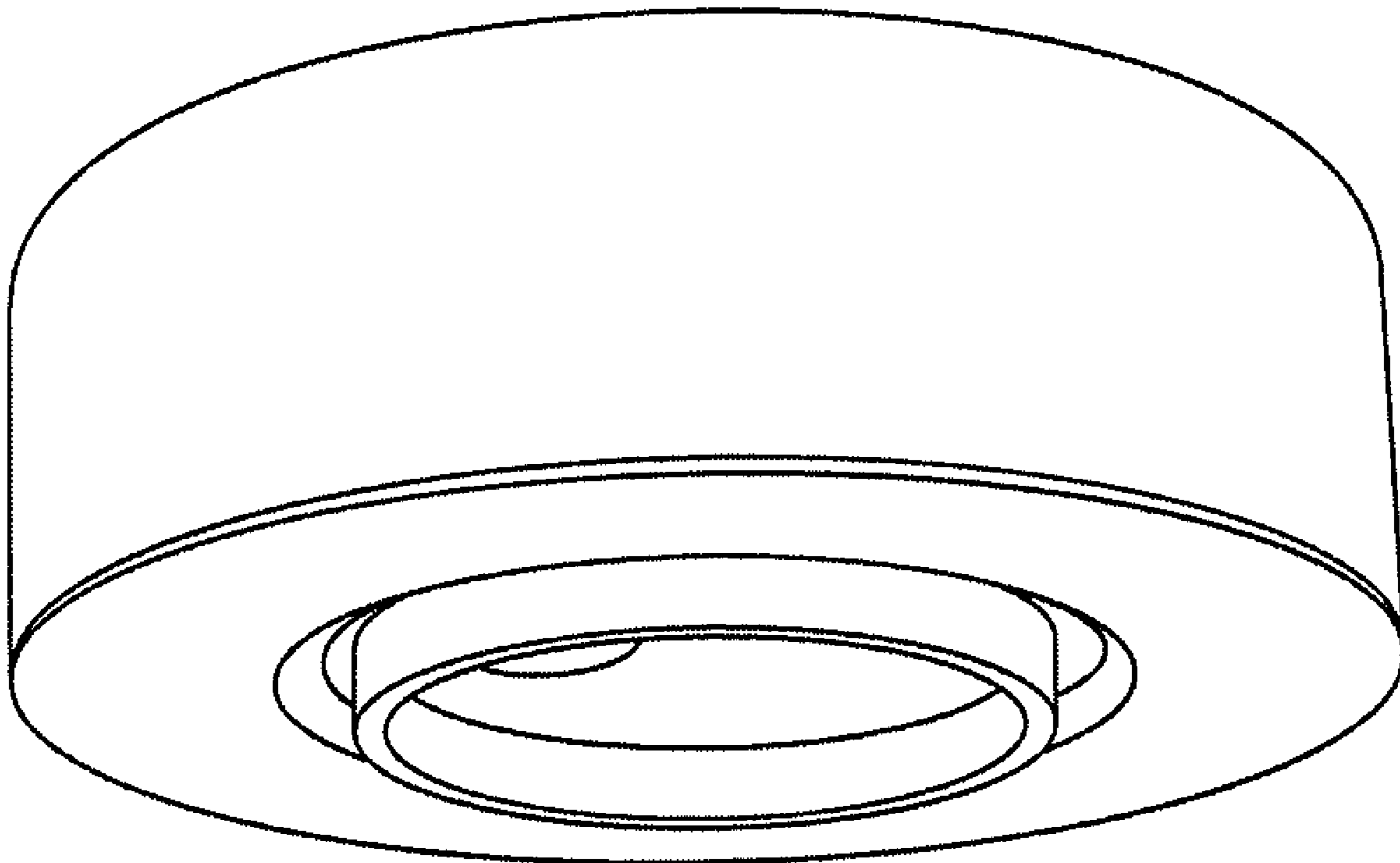
FIG. 4 is another front perspective view;

FIG. 5 is another front perspective view;

FIG. 6 is a top perspective view; and,

FIG. 7 is a top plan view thereof.

**1 Claim, 7 Drawing Sheets**



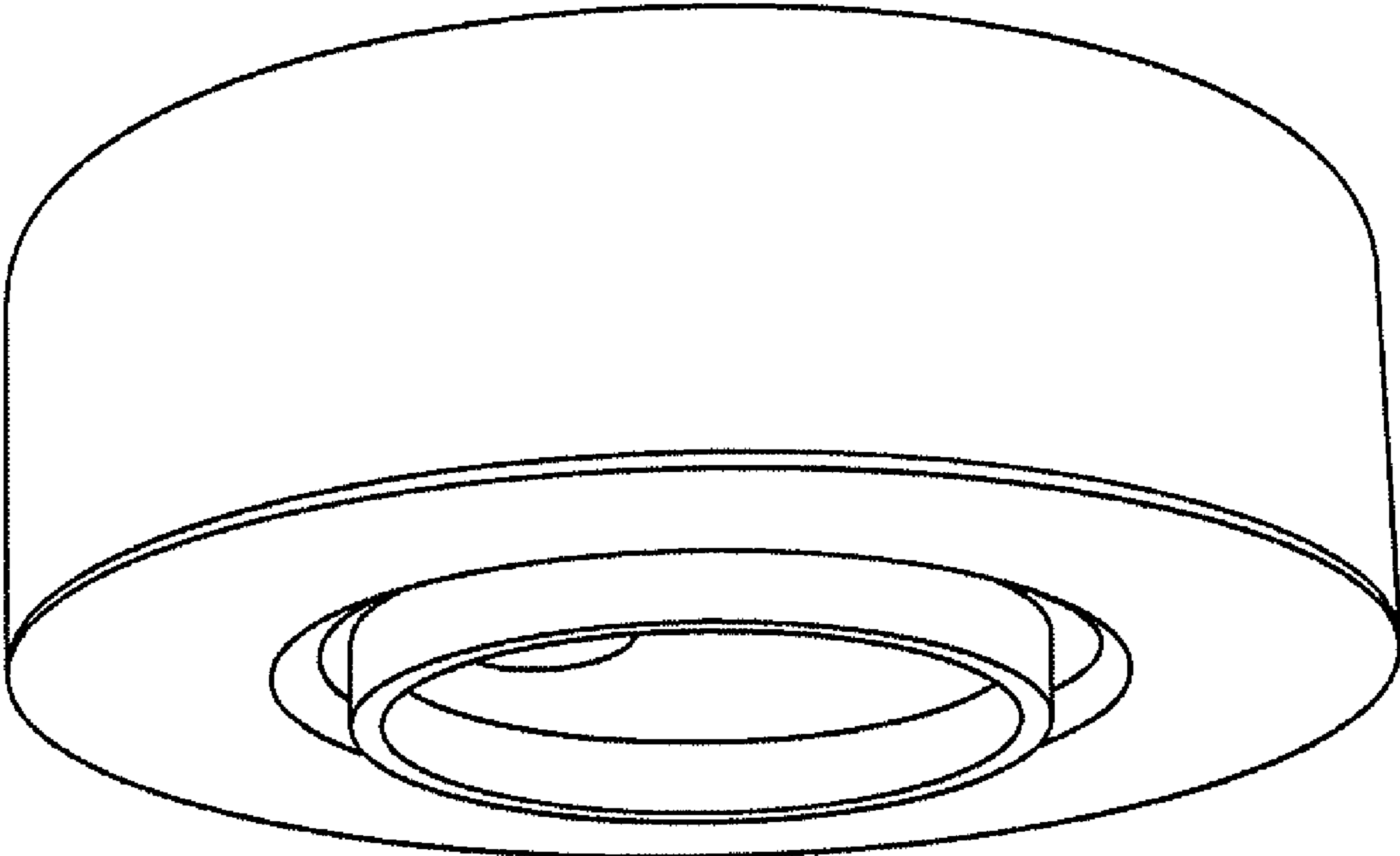


FIGURE 1

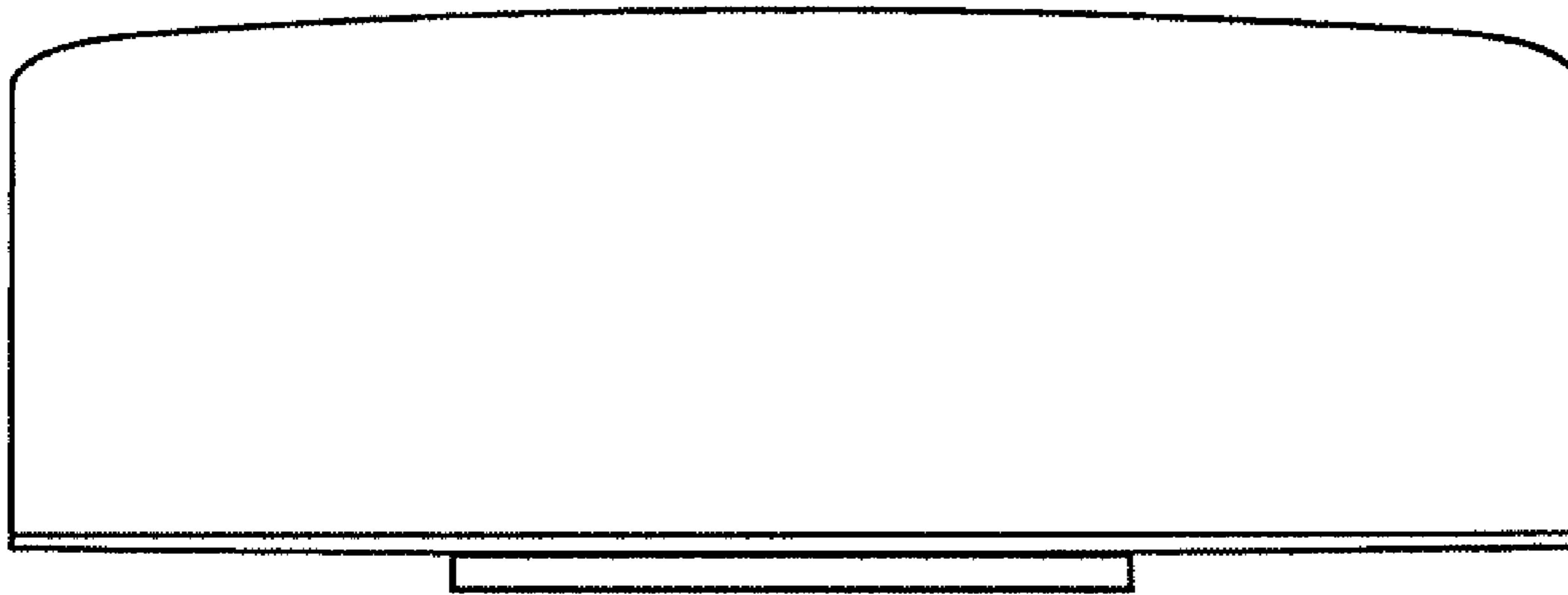


FIGURE .2

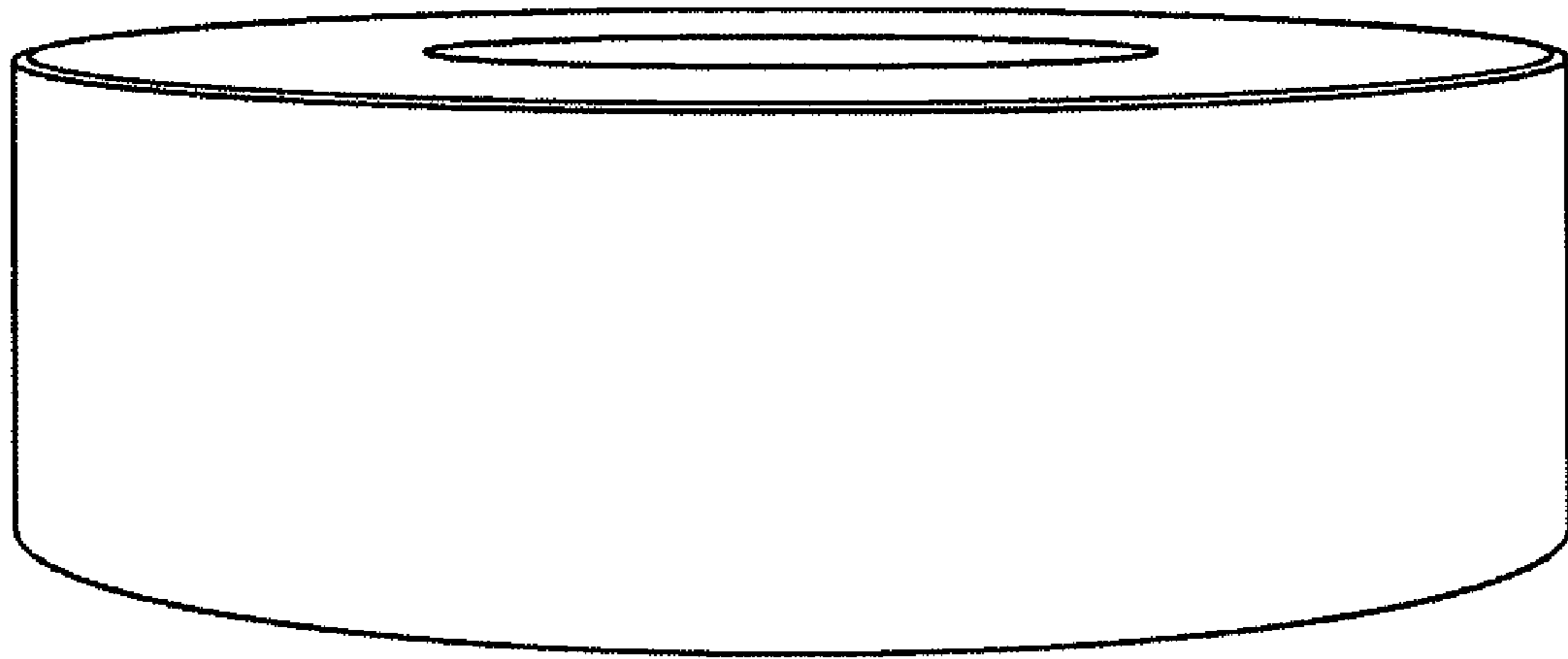


FIGURE 3

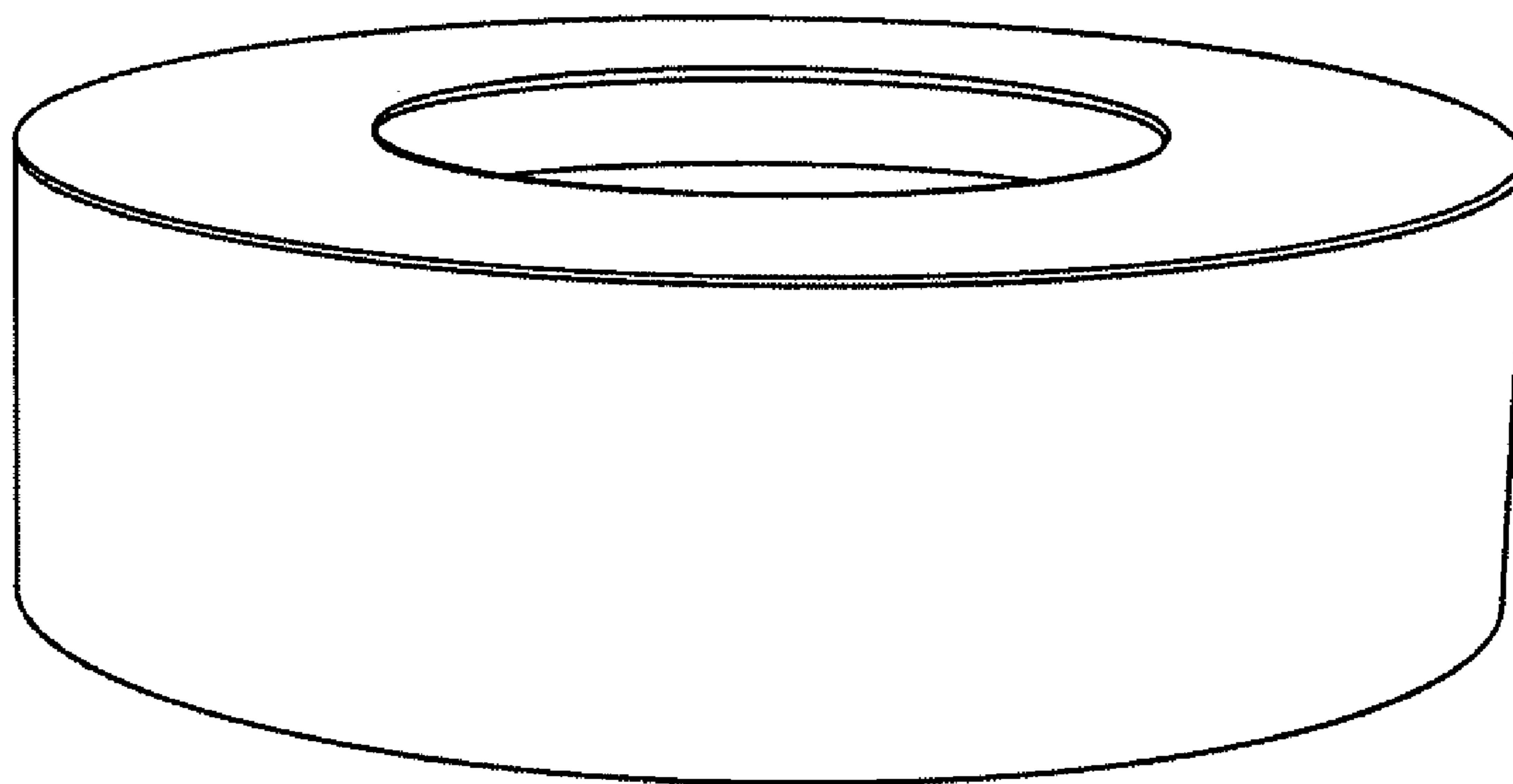


FIGURE 4

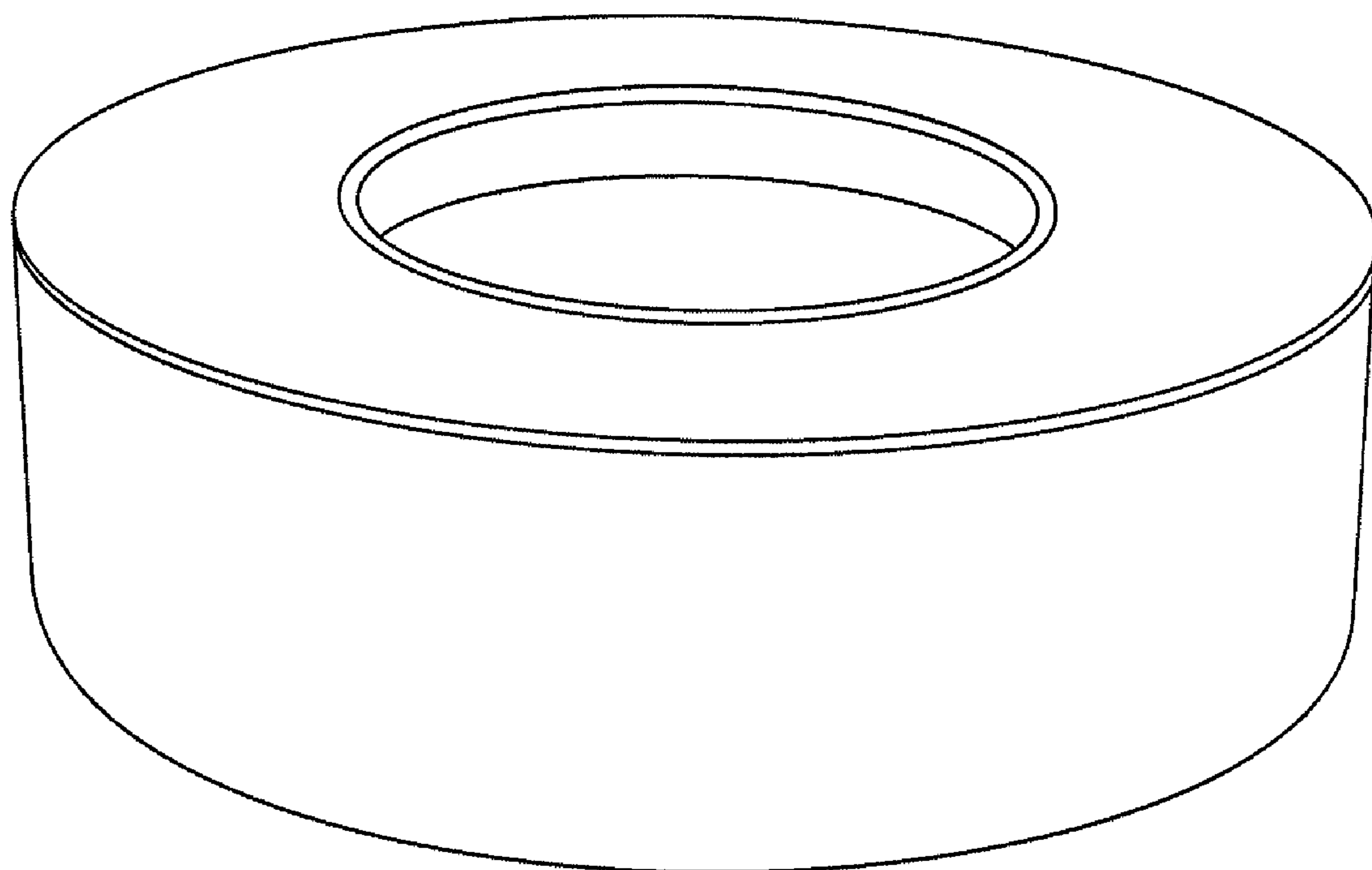


FIGURE 5

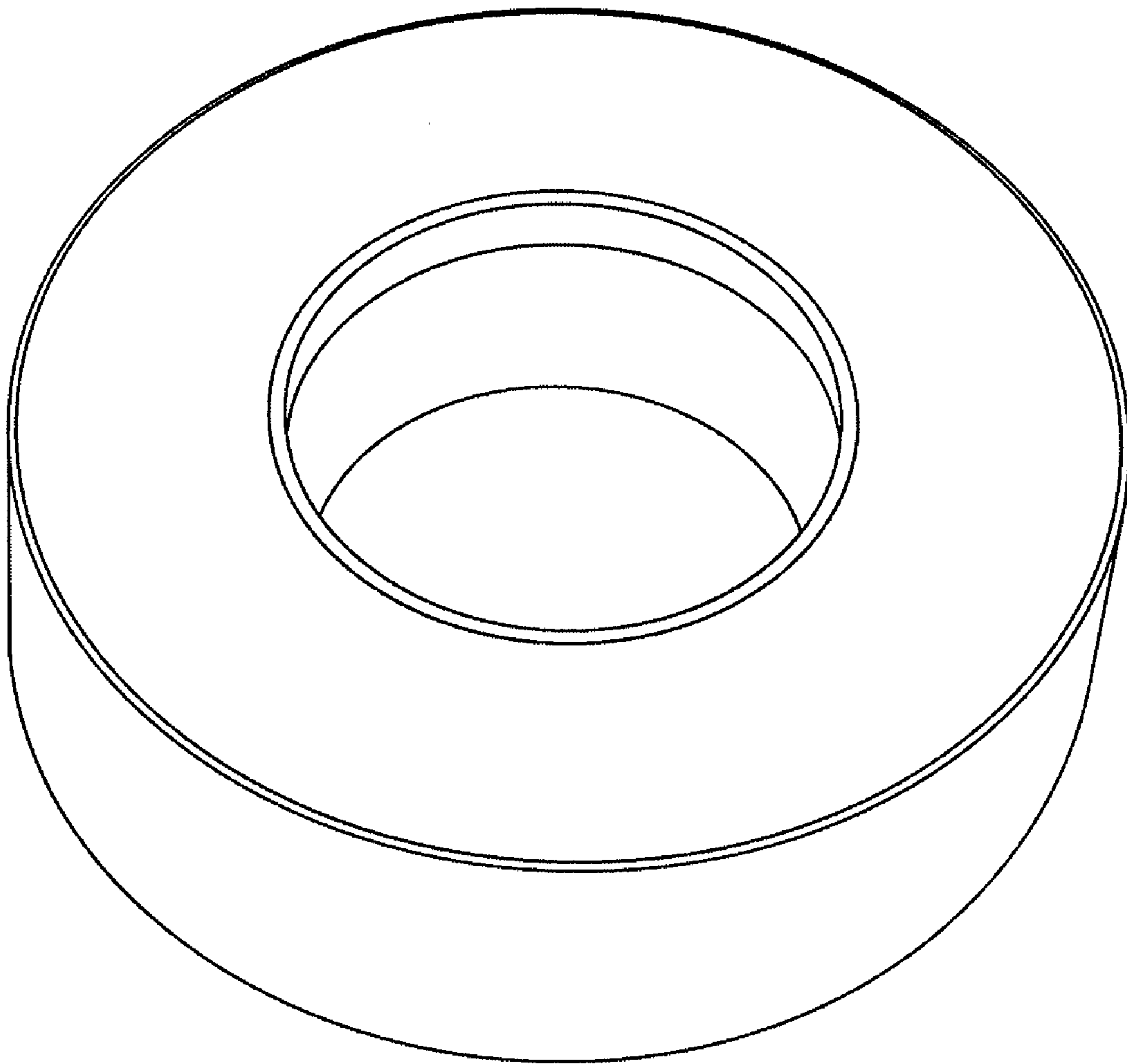


FIGURE 6

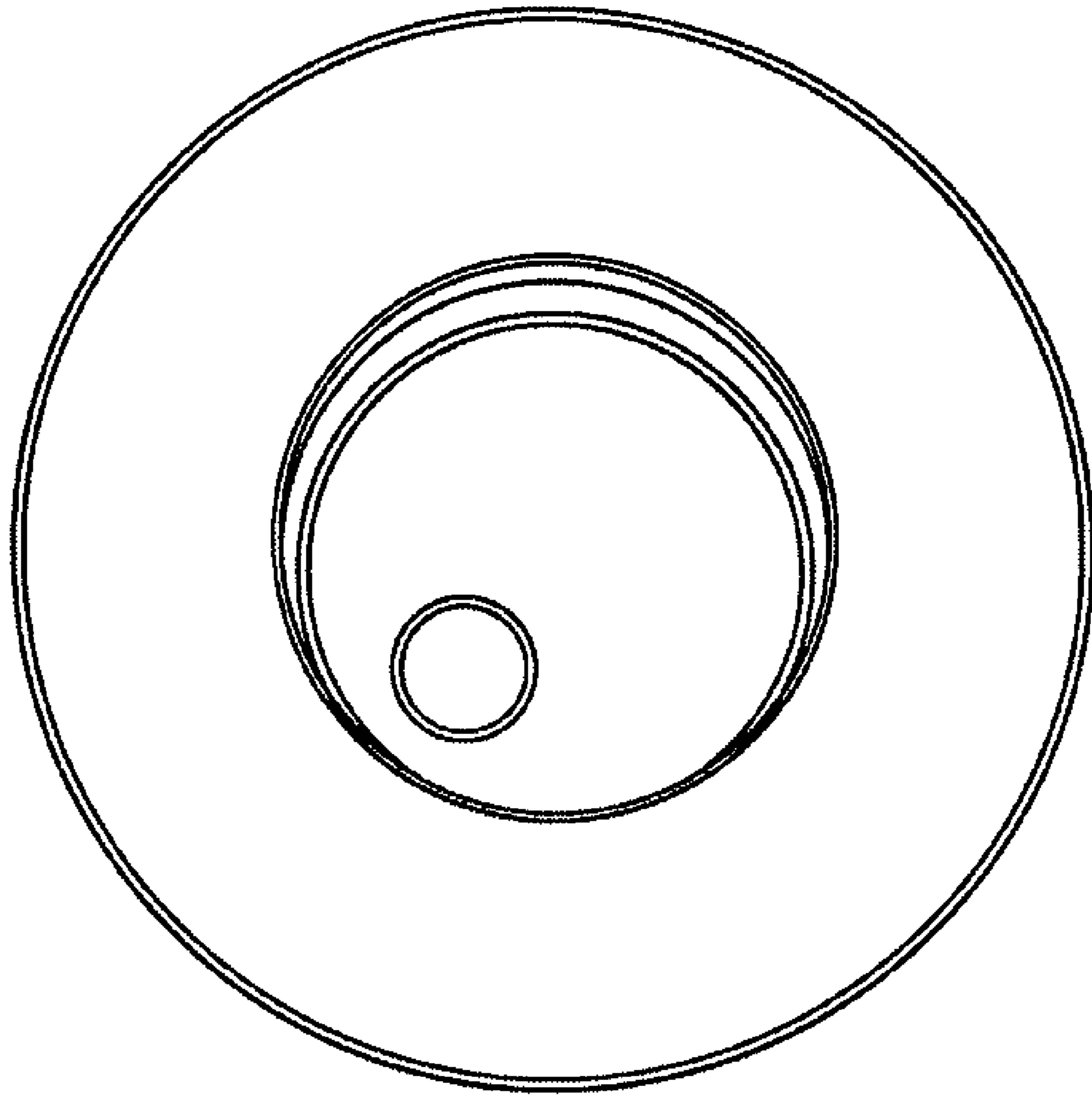


FIGURE 7