



US00D605787S

(12) **United States Design Patent**
Barton et al.

(10) **Patent No.:** **US D605,787 S**

(45) **Date of Patent:** **** Dec. 8, 2009**

(54) **LED LIGHTING TUBE**

(75) Inventors: **Dan Barton**, Huntington Beach, CA (US); **Brad Barton**, Huntington Beach, CA (US)

(73) Assignee: **Reled Systems, LLC**, Huntington Beach, CA (US)

(**) Term: **14 Years**

(21) Appl. No.: **29/315,683**

(22) Filed: **Jul. 15, 2009**

(51) **LOC (9) Cl.** **26-04**

(52) **U.S. Cl.** **D26/3**

(58) **Field of Classification Search** D26/1-4;
313/313, 315, 316, 317, 318, 493; 315/52,
315/53, 56, 57, 58

See application file for complete search history.

(56) **References Cited**

U.S. PATENT DOCUMENTS

5,526,236	A	6/1996	Burnes et al.	
5,726,535	A	3/1998	Yan	
D477,093	S	7/2003	Moriyama et al.	
6,796,690	B2	9/2004	Bohlander	
D506,274	S *	6/2005	Moriyama et al. D26/3
6,936,968	B2	8/2005	Cross et al.	
7,033,060	B2	4/2006	Dubuc	
7,052,171	B1	5/2006	Lefebve et al.	
7,222,995	B1	5/2007	Bayat et al.	
D550,379	S *	9/2007	Hoshikawa et al. D26/25
7,311,423	B2	12/2007	Frecska et al.	
D574,093	S *	7/2008	Kitagawa et al. D26/3
D576,749	S *	9/2008	Kitagawa et al. D26/3
D577,138	S *	9/2008	Kitagawa et al. D26/37
7,488,086	B2	2/2009	Wu et al.	
2005/0265019	A1	12/2005	Sommers et al.	
2006/0221606	A1	10/2006	Dowling	

2007/0195535	A1	8/2007	Artwohl et al.
2007/0247842	A1	10/2007	Zampini et al.
2008/0037239	A1	2/2008	Thomas et al.
2008/0151535	A1	6/2008	de Castris
2008/0158858	A1	7/2008	Madireddi et al.
2008/0192508	A1	8/2008	Busby

* cited by examiner

Primary Examiner—Marcus A Jackson

(74) *Attorney, Agent, or Firm*—Cislo & Thomas, LLP

(57) **CLAIM**

The ornamental design for a LED lighting tube, as shown and described herein.

DESCRIPTION

FIG. 1 is a perspective view of a first embodiment of the LED lighting tube.

FIG. 2 is a front view of the LED lighting tube shown in FIG. 1.

FIG. 3 is a right side elevational view of the LED lighting tube shown in FIG. 1.

FIG. 4 is a rear view of the LED lighting tube shown in FIG. 1.

FIG. 5 is a left side elevational view of the LED lighting tube shown in FIG. 1.

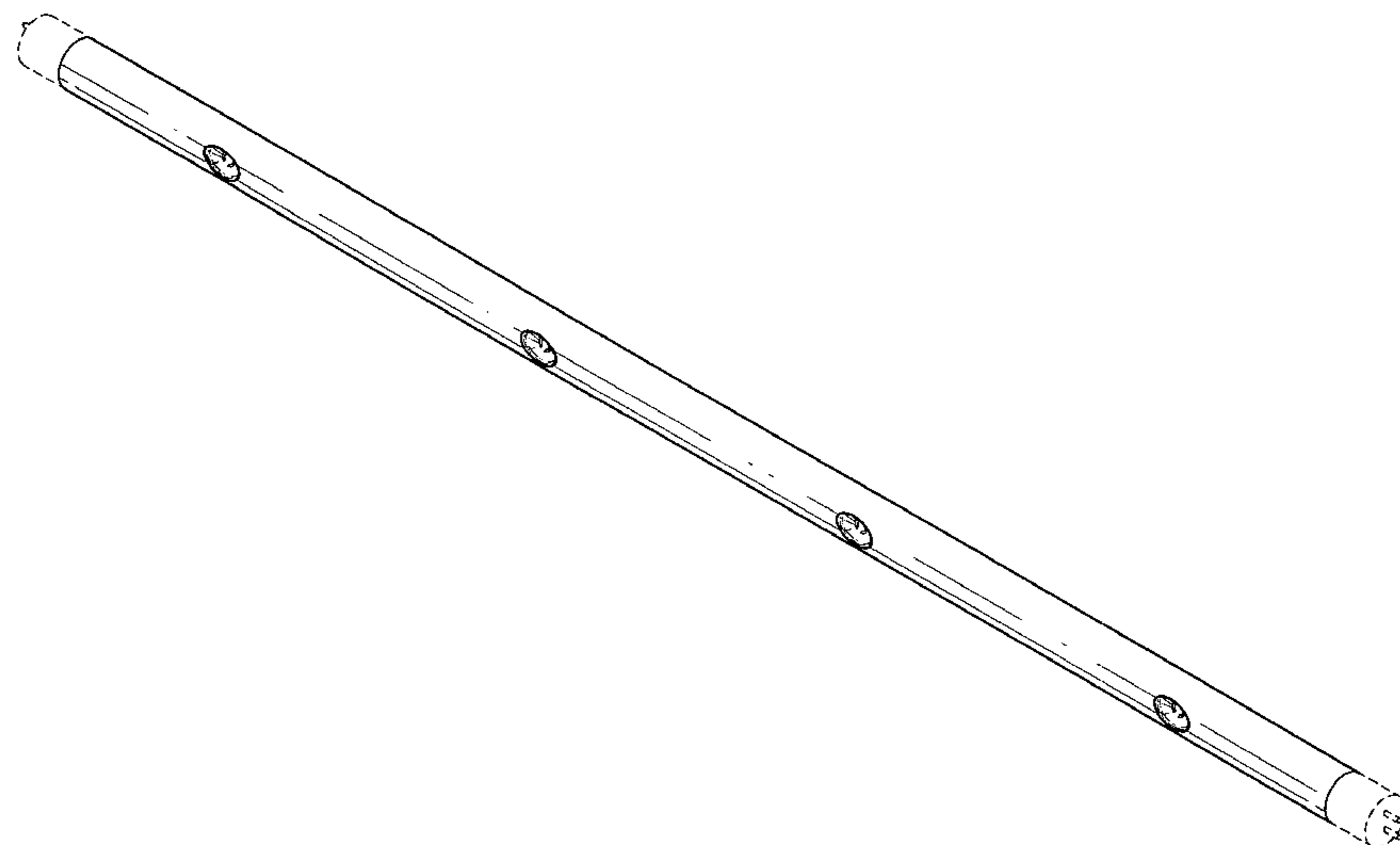
FIG. 6 is a top view of the LED lighting tube shown in FIG. 1.

FIG. 7 is a bottom view of the LED lighting tube shown in FIG. 1; and,

FIG. 8 is a perspective view of a second embodiment of the LED lighting tube, with the tube partitioned to indicate that the LED lighting tube may be any length.

The broken line portions of the disclosure are for illustrative purposes only and form no part of the claimed design.

1 Claim, 5 Drawing Sheets



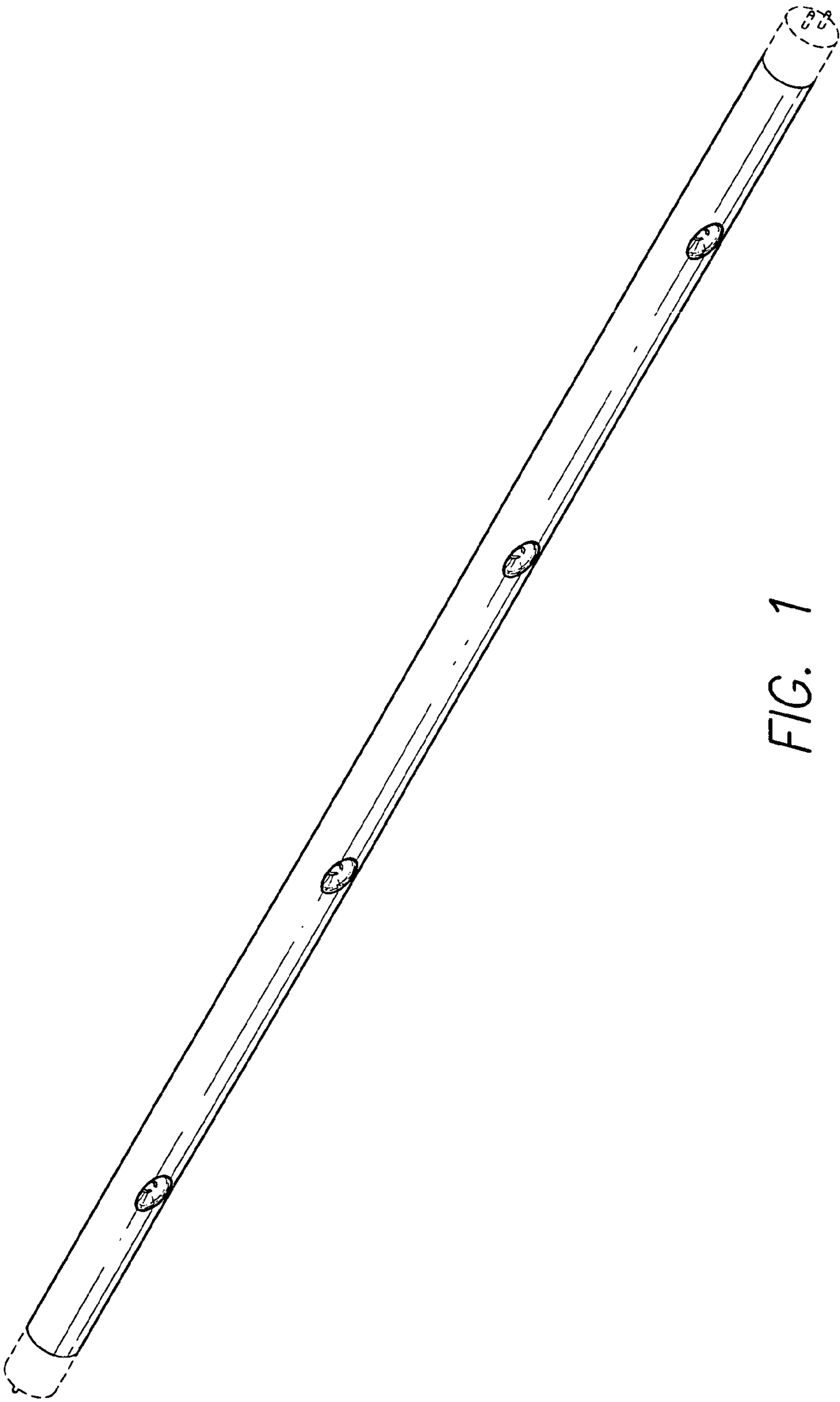


FIG. 1

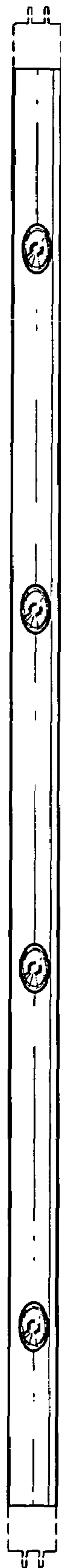


FIG. 2



FIG. 3

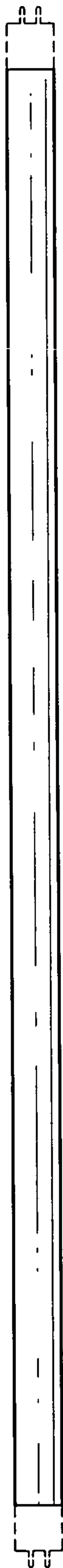


FIG. 4



FIG. 5



FIG. 6

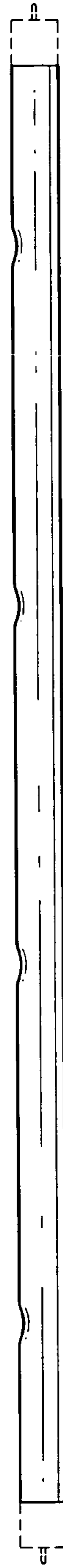


FIG. 7

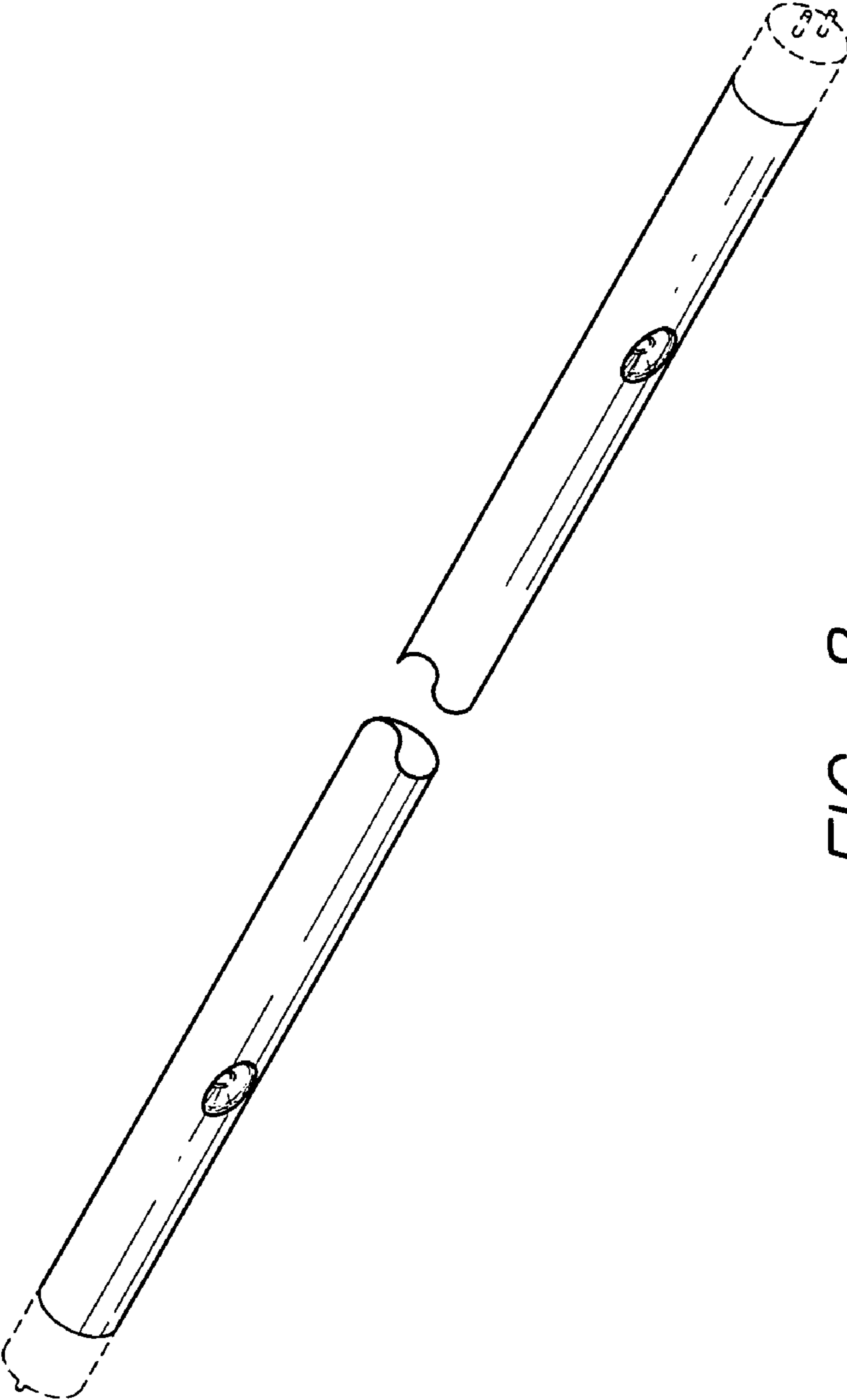


FIG. 8