



US00D605786S

(12) **United States Design Patent**  
**Lim**

(10) **Patent No.:** **US D605,786 S**

(45) **Date of Patent:** **\*\* Dec. 8, 2009**

(54) **LED LIGHTING**

D553,266 S \* 10/2007 Maxik ..... D26/2  
D566,300 S \* 4/2008 Lo ..... D26/2  
D584,838 S \* 1/2009 To et al. .... D26/2

(75) Inventor: **Dong Nyung Lim**, Gyeongsangbuk-do  
(KR)

\* cited by examiner

(73) Assignee: **LG Innotek Co., Ltd.**, Seoul (KR)

*Primary Examiner*—Marcus A Jackson

(\*\*) Term: **14 Years**

(74) *Attorney, Agent, or Firm*—Birch, Stewart, Kolasch &  
Birch, LLP

(21) Appl. No.: **29/336,779**

(57) **CLAIM**

(22) Filed: **May 8, 2009**

The ornamental design for a LED lighting, as shown and  
described.

(30) **Foreign Application Priority Data**

Nov. 11, 2008 (KR) ..... 30-2008-0048726

**DESCRIPTION**

(51) **LOC (9) Cl.** ..... **26-04**

FIG. 1 is a top front perspective of the LED lighting showing  
my new design;

(52) **U.S. Cl.** ..... **D26/2**

FIG. 2 is a front view thereof;

(58) **Field of Classification Search** ..... D26/1-4;  
313/313, 315, 317, 318, 493; 315/52, 53,  
315/56, 57, 58

FIG. 3 is a rear view thereof;

See application file for complete search history.

FIG. 4 is a left side view thereof;

FIG. 5 is a right side view thereof;

(56) **References Cited**

**U.S. PATENT DOCUMENTS**

D532,532 S \* 11/2006 Maxik ..... D26/2

D535,038 S \* 1/2007 Egawa et al. .... D26/2

FIG. 6 is a top plan view thereof; and,

FIG. 7 is a bottom plan view thereof.

**1 Claim, 6 Drawing Sheets**

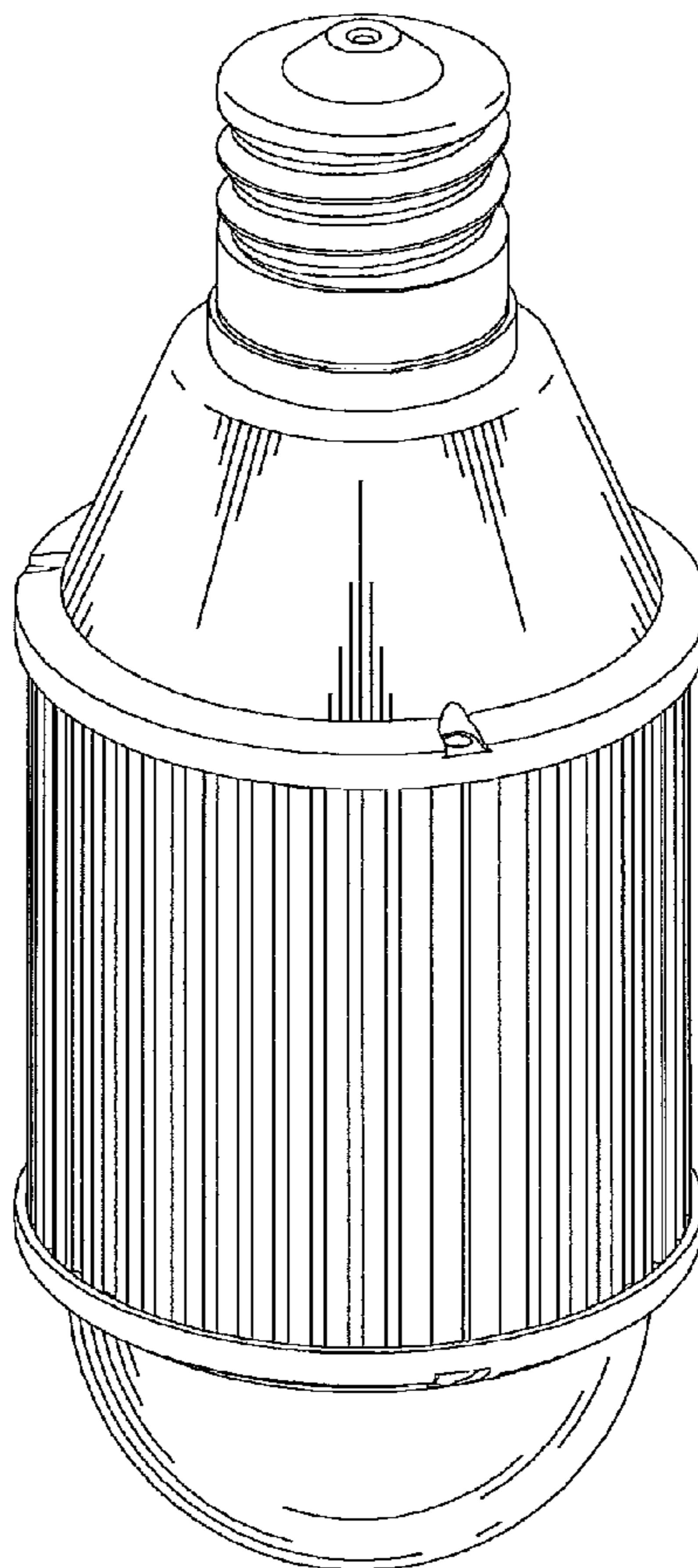


FIG. 1

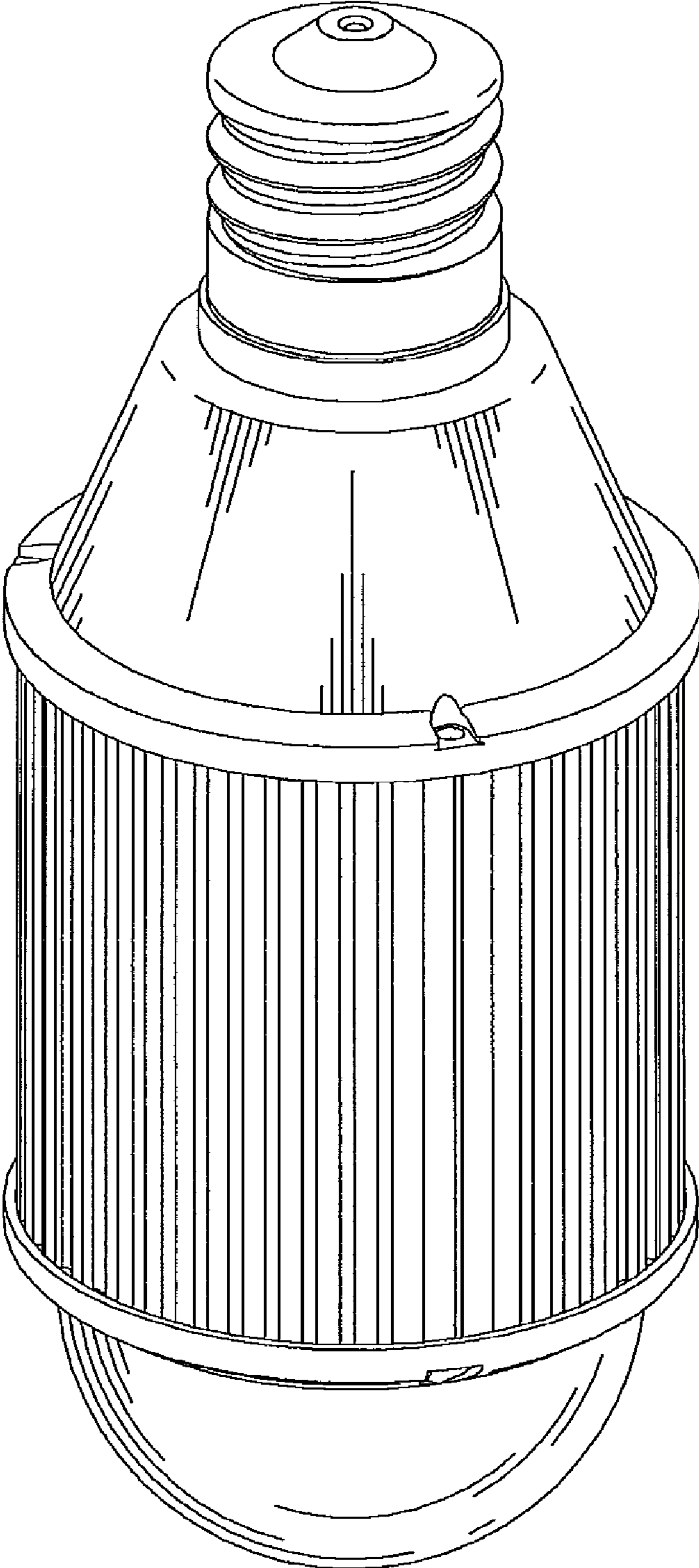


FIG. 2

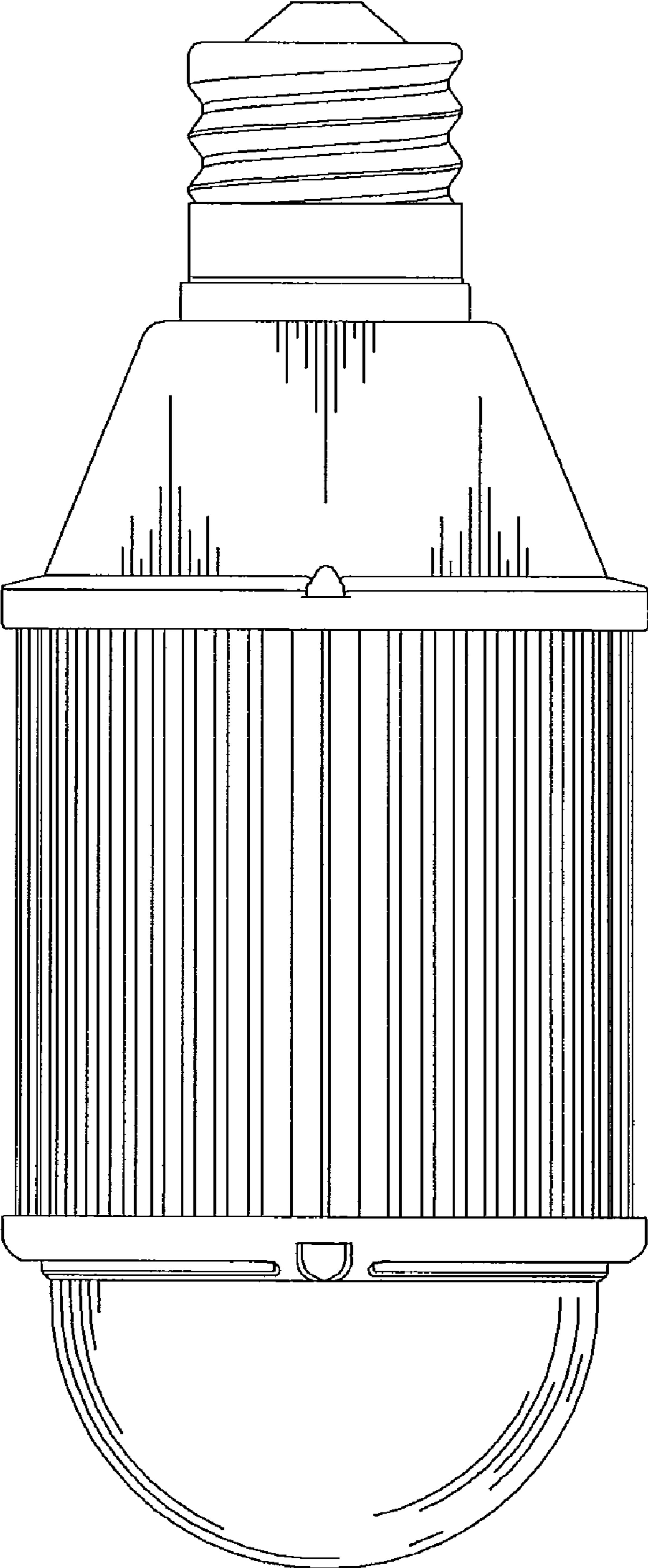


FIG. 3

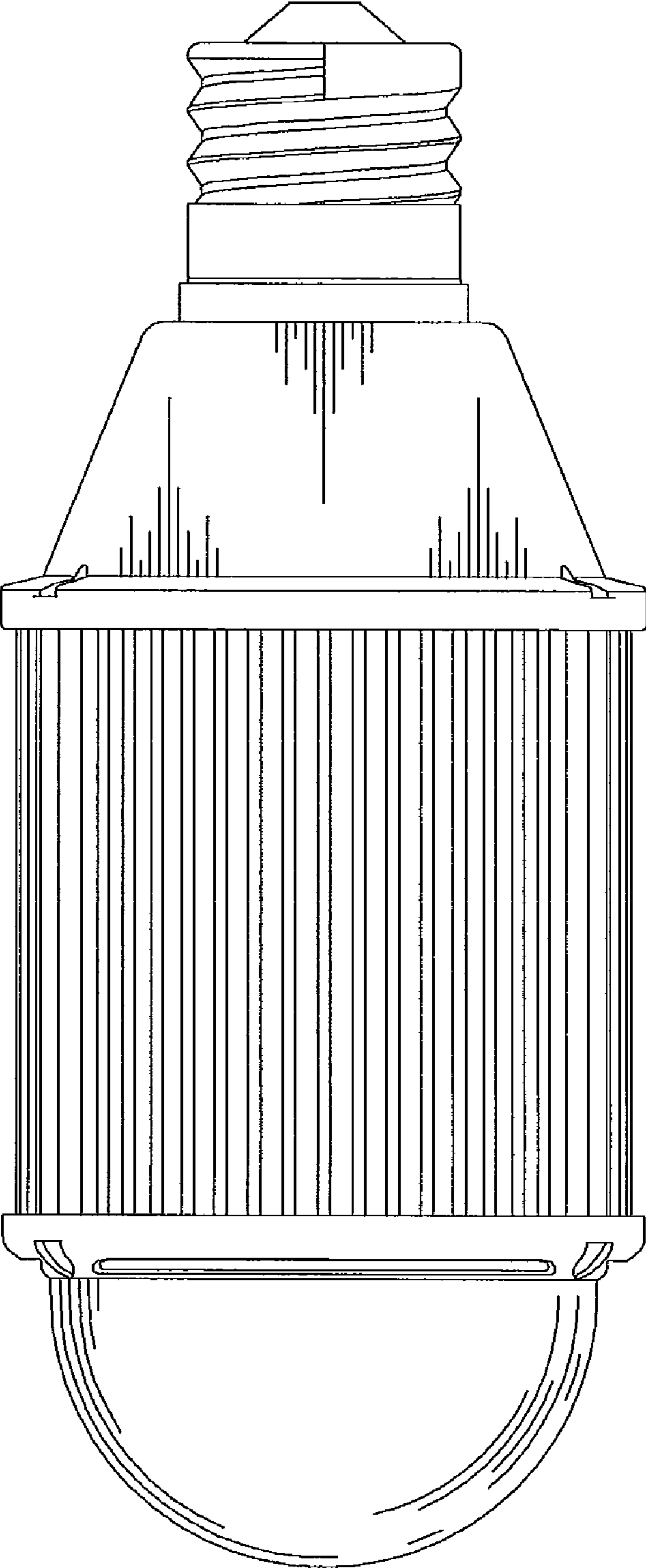


FIG. 4

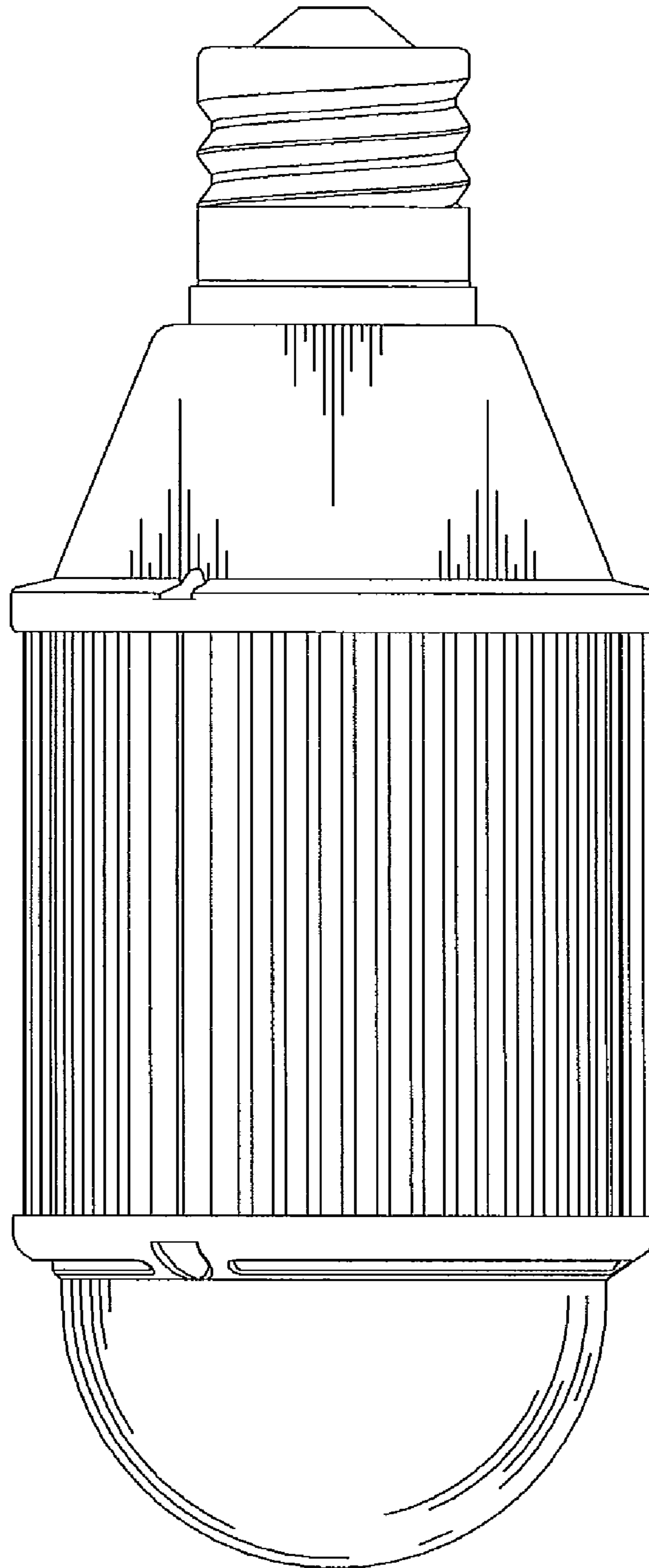


FIG. 5

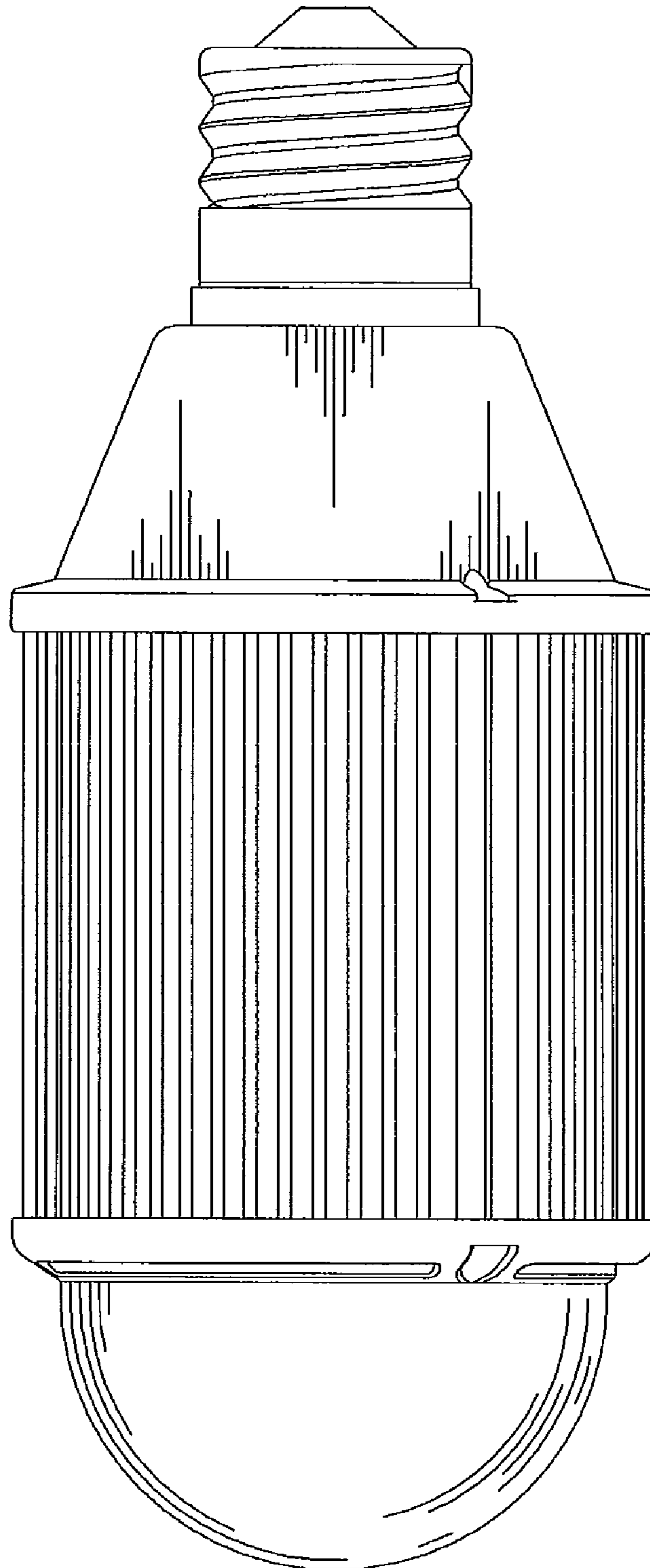


FIG. 6

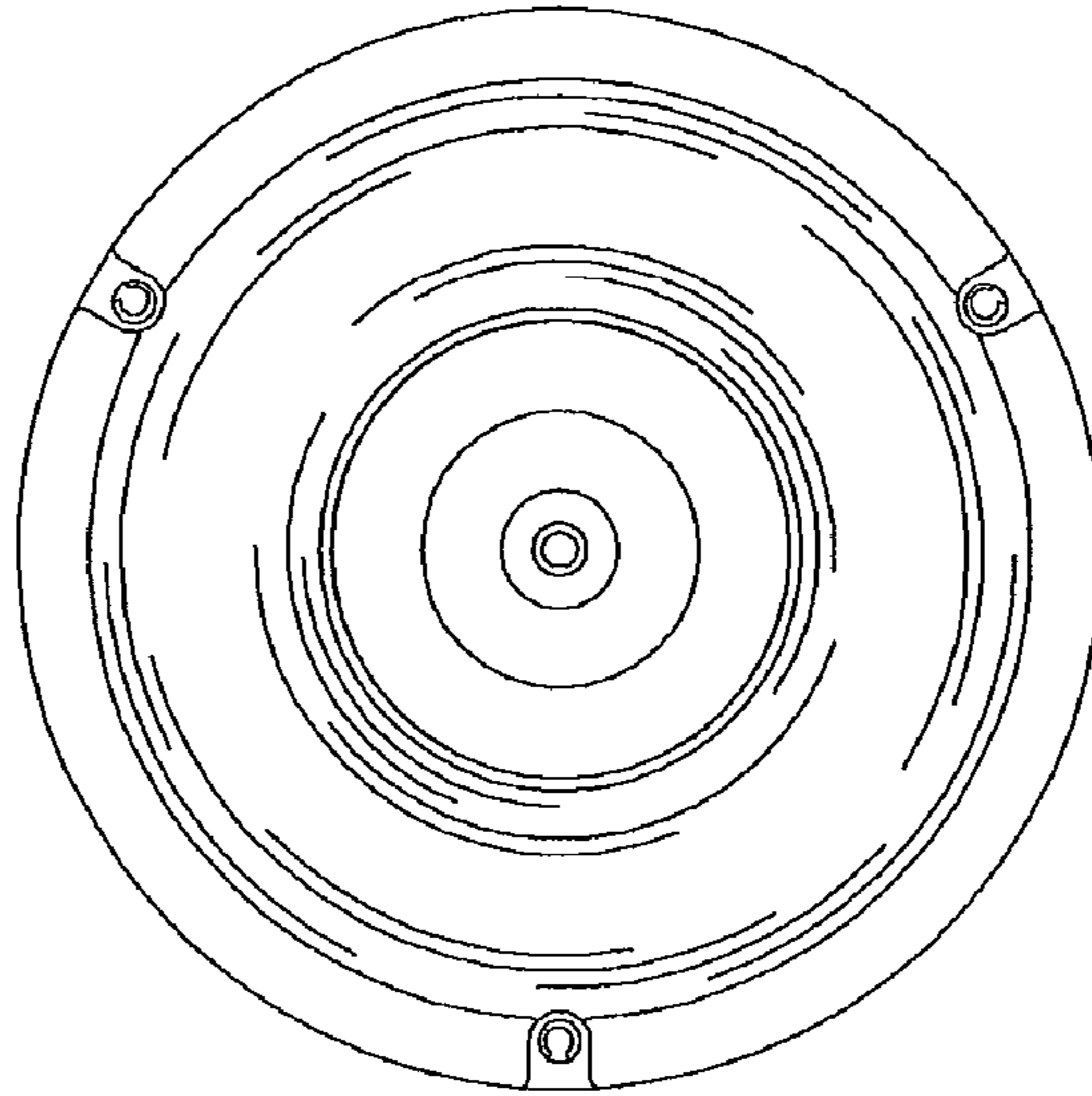


FIG. 7

