



US00D605778S

(12) **United States Design Patent**
Moon

(10) **Patent No.:** **US D605,778 S**

(45) **Date of Patent:** **** Dec. 8, 2009**

(54) **MULTIFUNCTION MESSAGE APPARATUS**

7,300,026 B2 * 11/2007 Pap 248/118

(76) Inventor: **Myeong-Keon Moon**, 3 Mogdong
Apartment, 310Dong-802 Ho,
Mog5-Dong, Yangcheon-Gu, Seoul,
158-753 (KR)

* cited by examiner

Primary Examiner—Cathron C Brooks
Assistant Examiner—Melanie Levy
(74) *Attorney, Agent, or Firm*—NSIP Law

(**) Term: **14 Years**

(21) Appl. No.: **29/331,916**

(22) Filed: **Feb. 4, 2009**

(30) **Foreign Application Priority Data**

Sep. 18, 2008 (KR) 30-2008-0040414

(51) **LOC (9) Cl.** **24-02**

(52) **U.S. Cl.** **D24/212; D24/211**

(58) **Field of Classification Search** D24/211–215,
D24/200; 601/22, 27–29, 102, 32, 113, 115,
601/118, 112, 128, 131, 134, 136; D30/160;
248/118, 346.01

See application file for complete search history.

(56) **References Cited**

U.S. PATENT DOCUMENTS

4,167,940	A *	9/1979	Ruf	601/122
D346,450	S *	4/1994	Bruno	D24/212
D360,696	S *	7/1995	Chien-Chung	D24/212
5,674,185	A *	10/1997	Chang	601/122
D465,029	S *	10/2002	Chen	D24/212
D478,997	S *	8/2003	Viner	D24/212
D479,334	S *	9/2003	Chou	D24/212
D527,830	S *	9/2006	Chien	D24/211

(57) **CLAIM**

The ornamental design for a multifunction message apparatus, as shown and described.

DESCRIPTION

FIG. 1 is a front perspective view of a multifunction message apparatus, showing my new design;

FIG. 2 is a front view of the multifunction message apparatus;

FIG. 3 is a rear view of the multifunction message apparatus;

FIG. 4 is a left side view of the multifunction message apparatus;

FIG. 5 is a right side view of the multifunction message apparatus;

FIG. 6 is a top view of the multifunction message apparatus;

FIG. 7 is a bottom view of the multifunction message apparatus; and,

FIG. 8 is a front perspective view of the multifunction message apparatus, with an attachment strap shown in broken lines.

The broken lines in the drawing form no part of the claimed design.

1 Claim, 5 Drawing Sheets

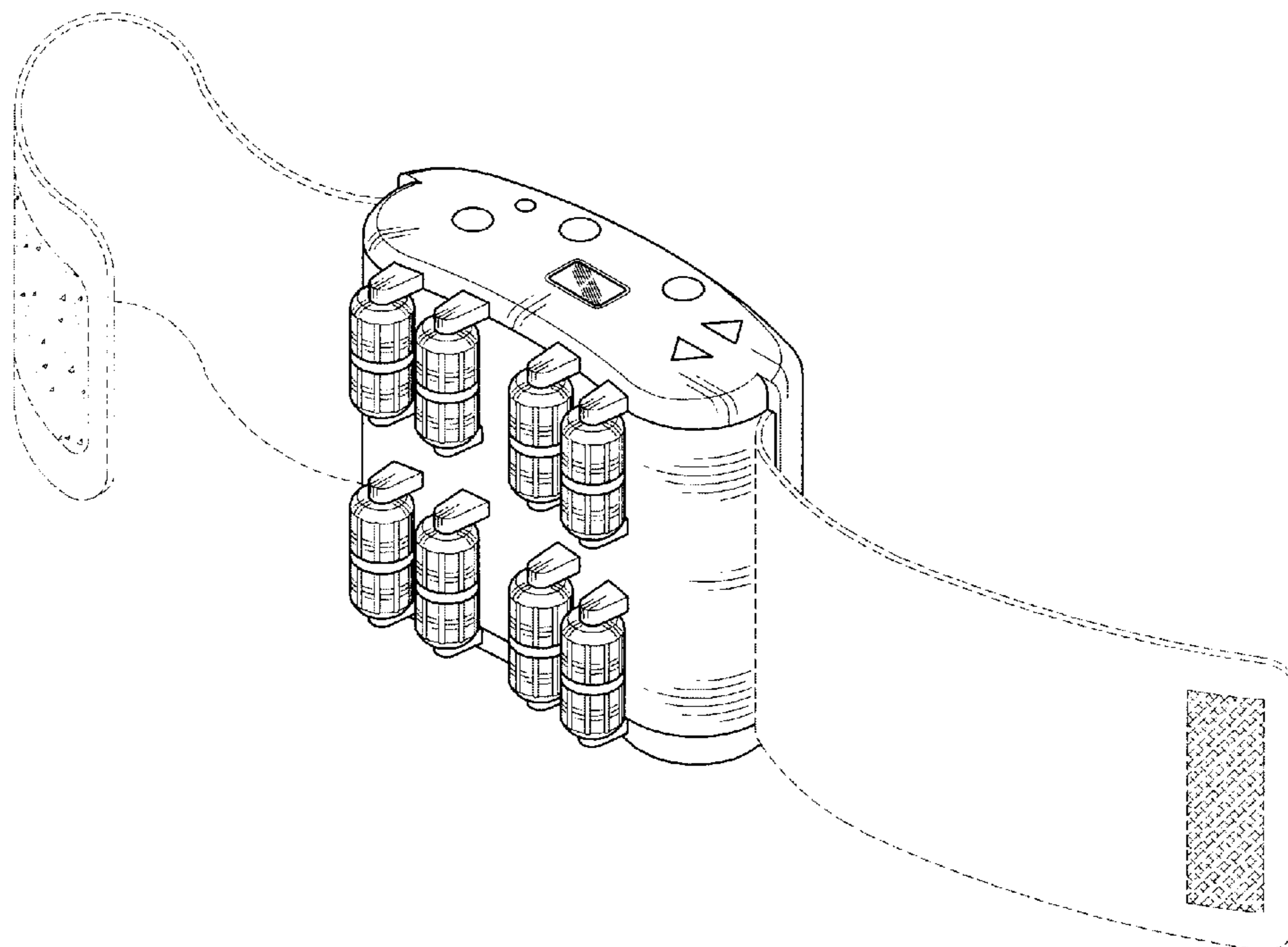


FIG. 1

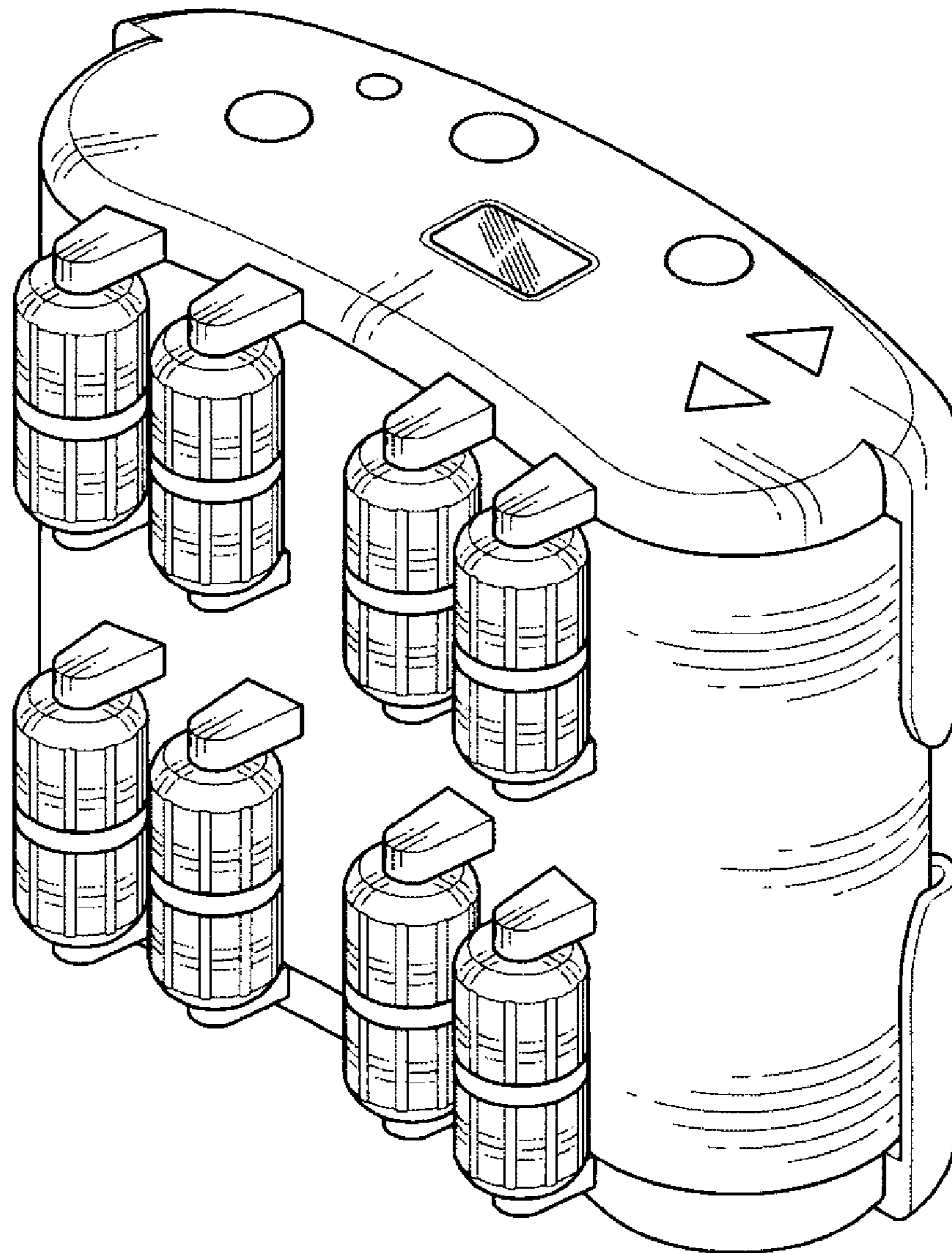


FIG. 2

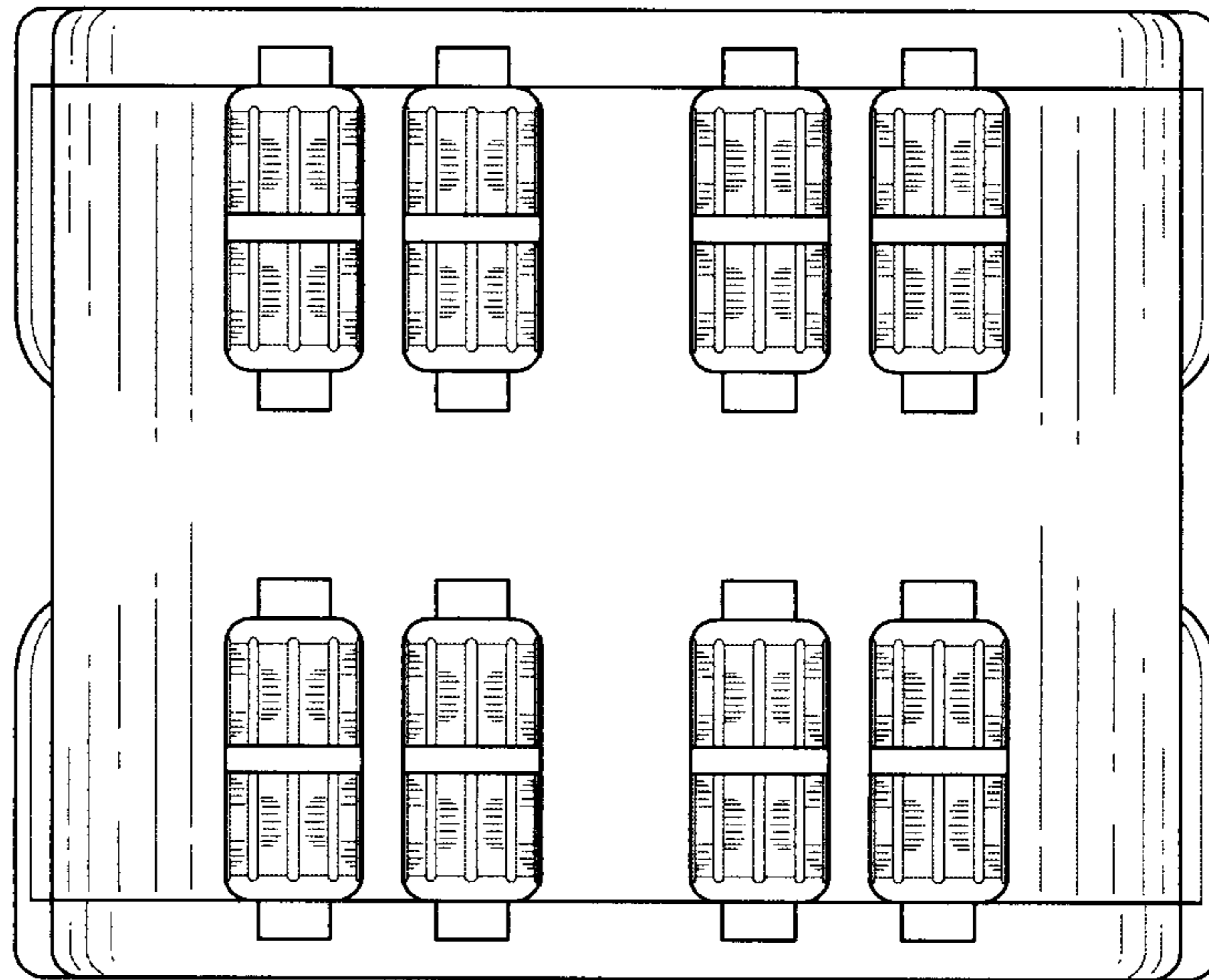


FIG. 3

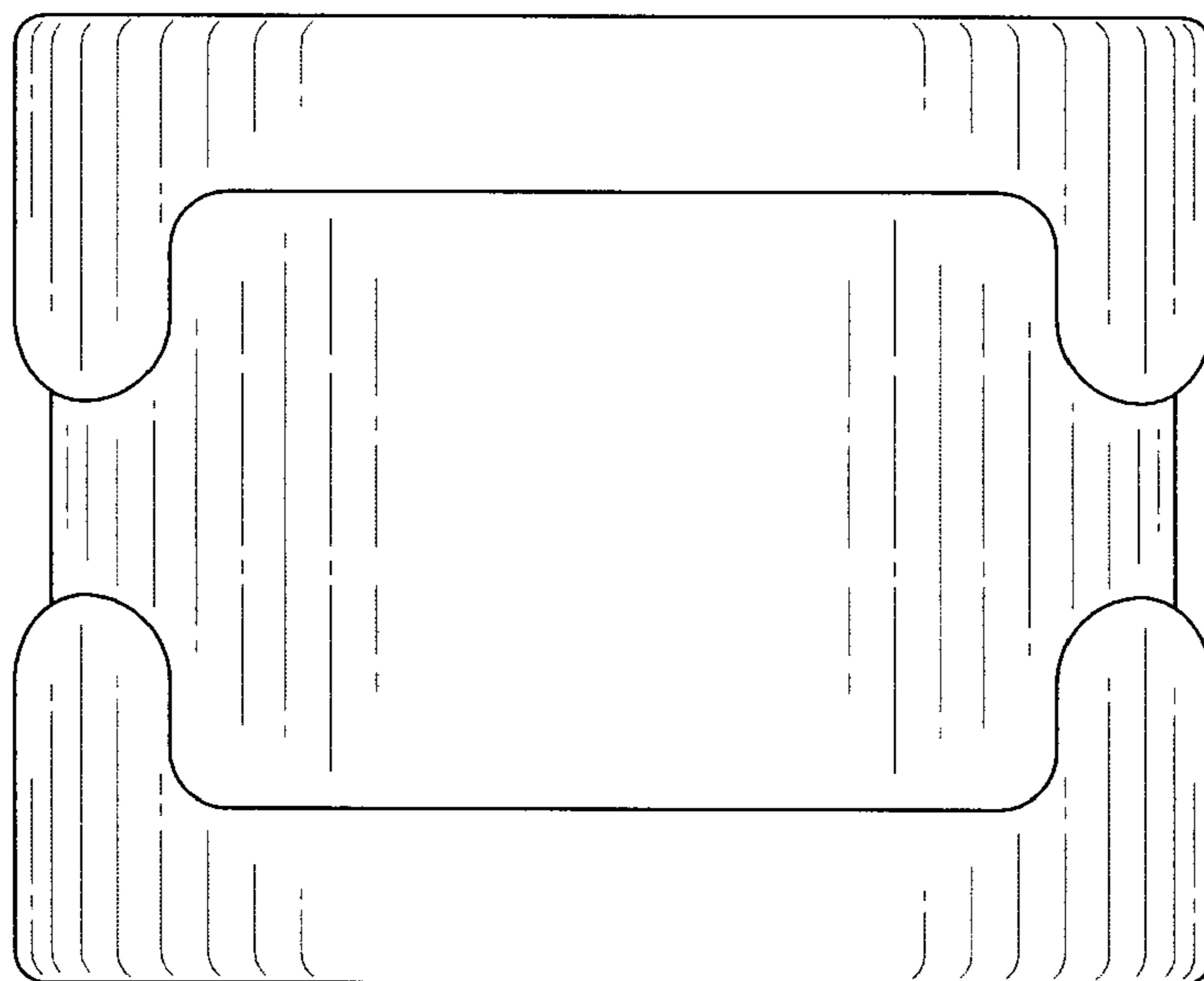


FIG. 4

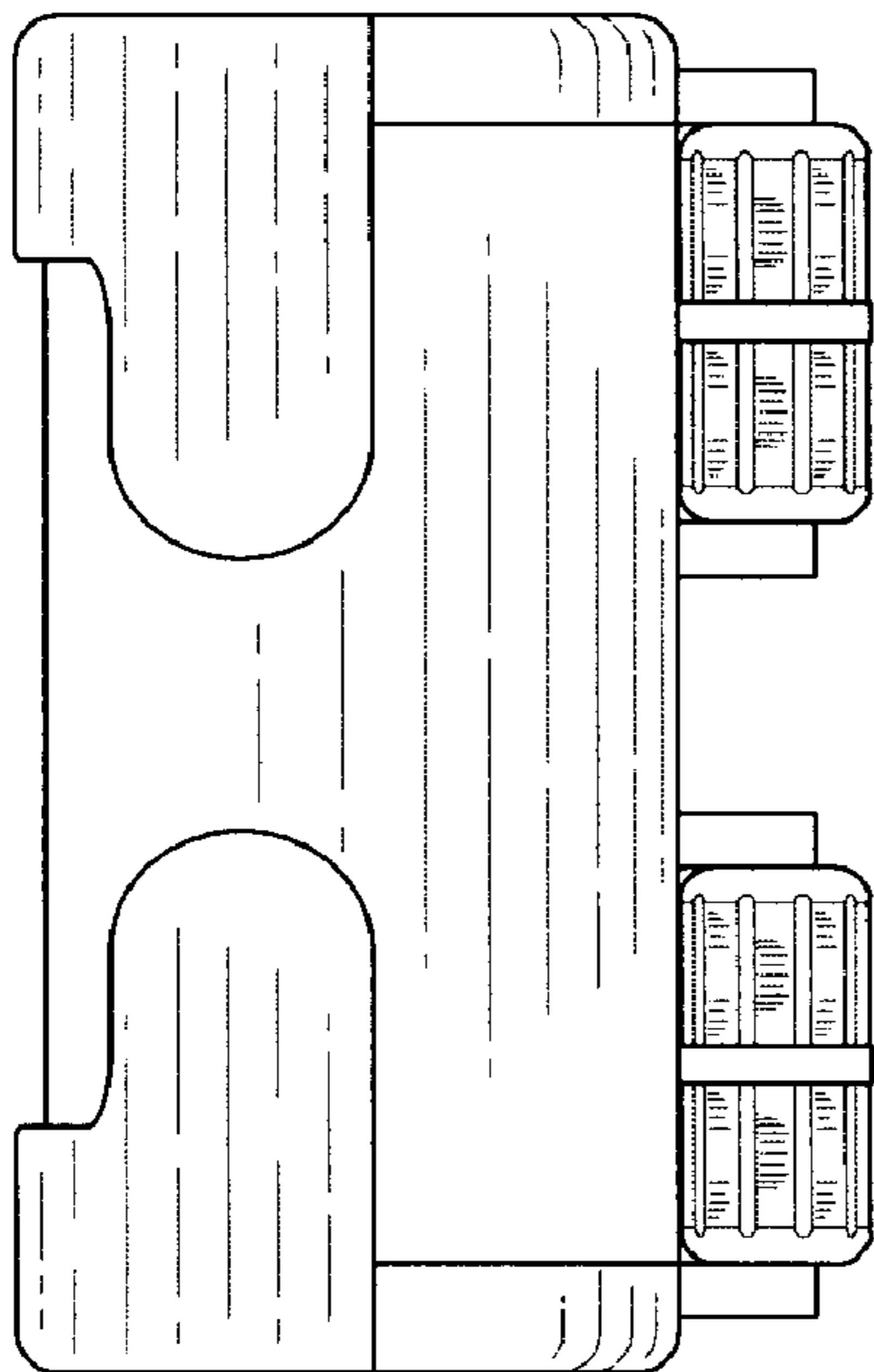


FIG. 5

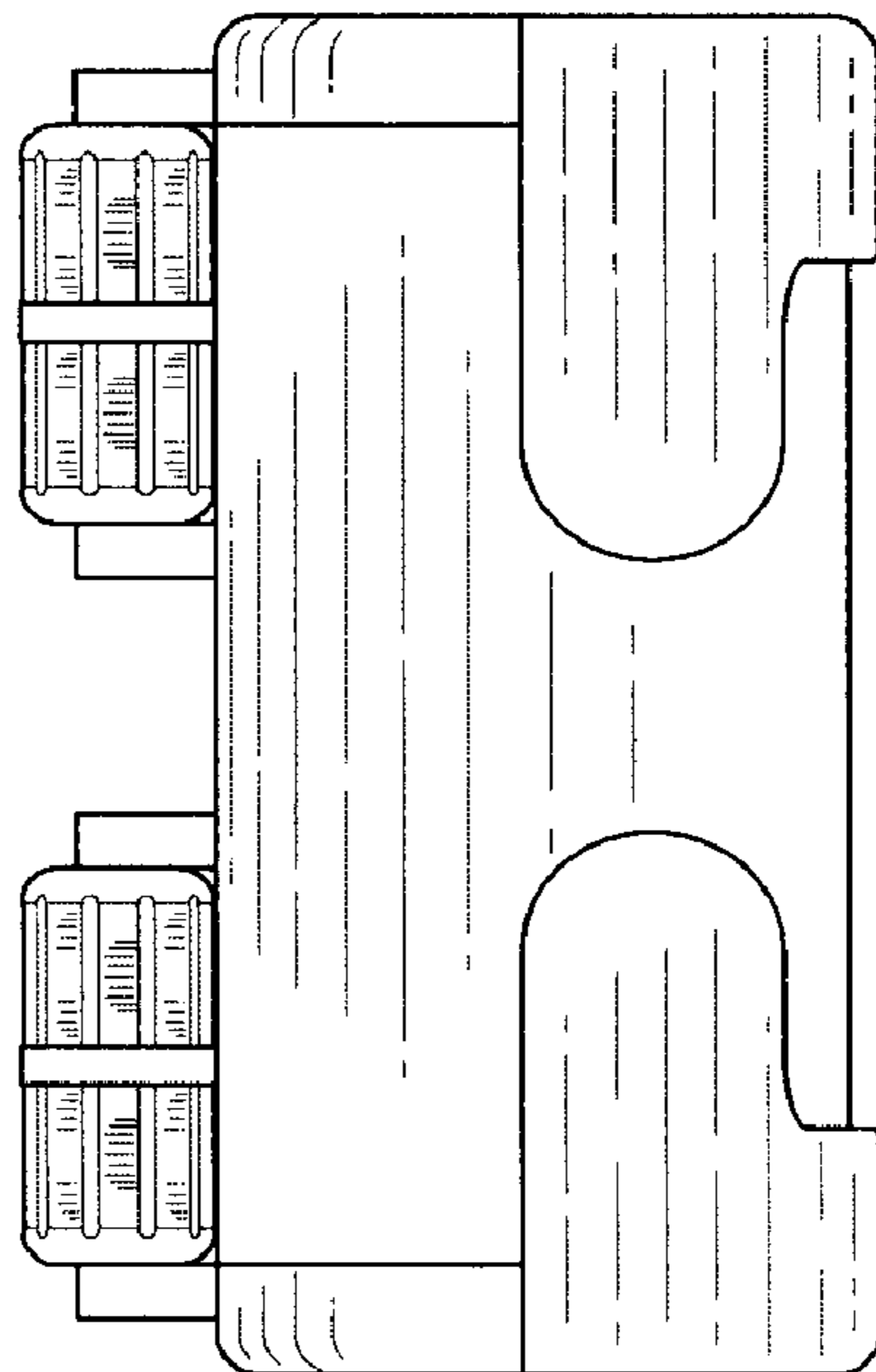


FIG. 6

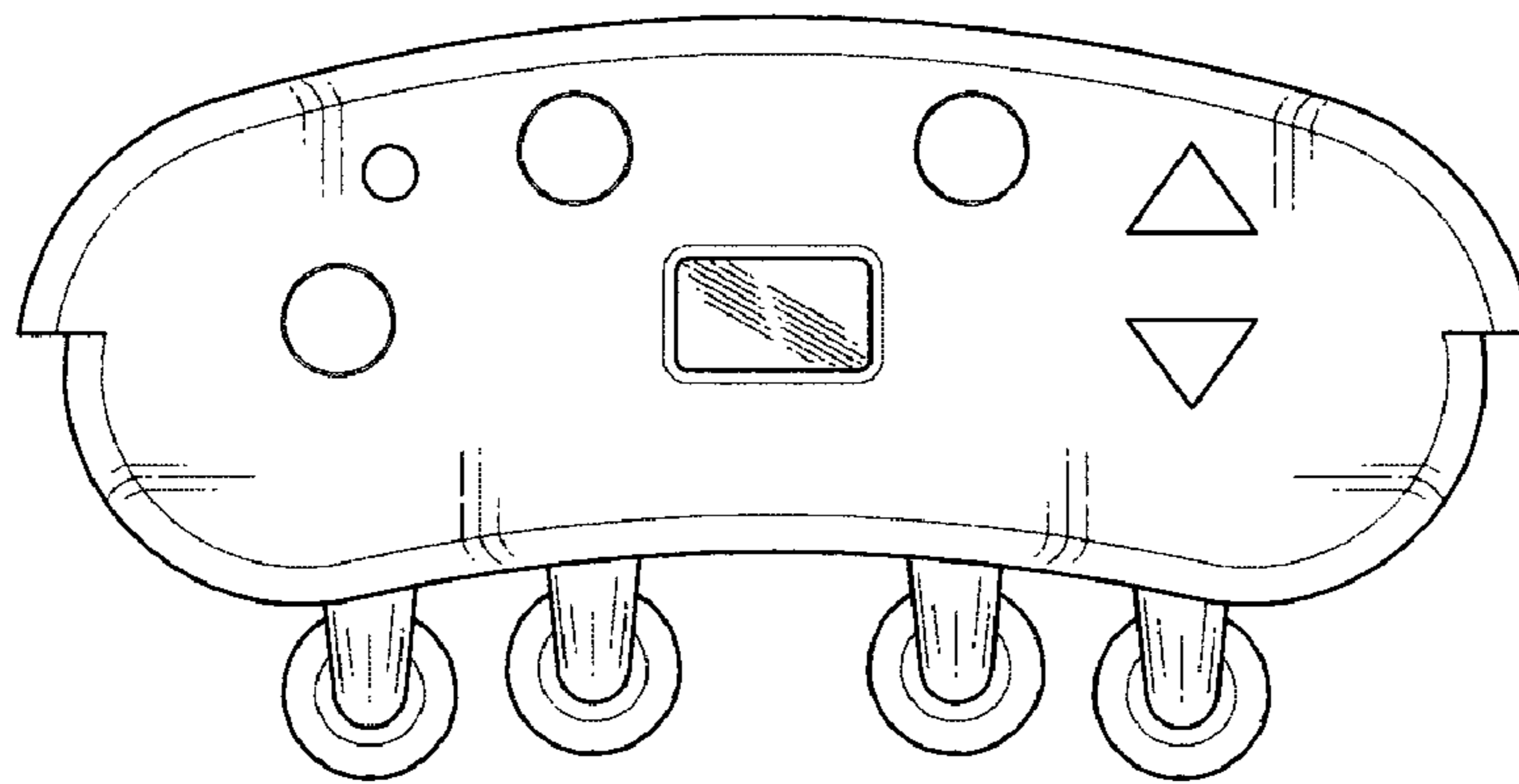


FIG. 7

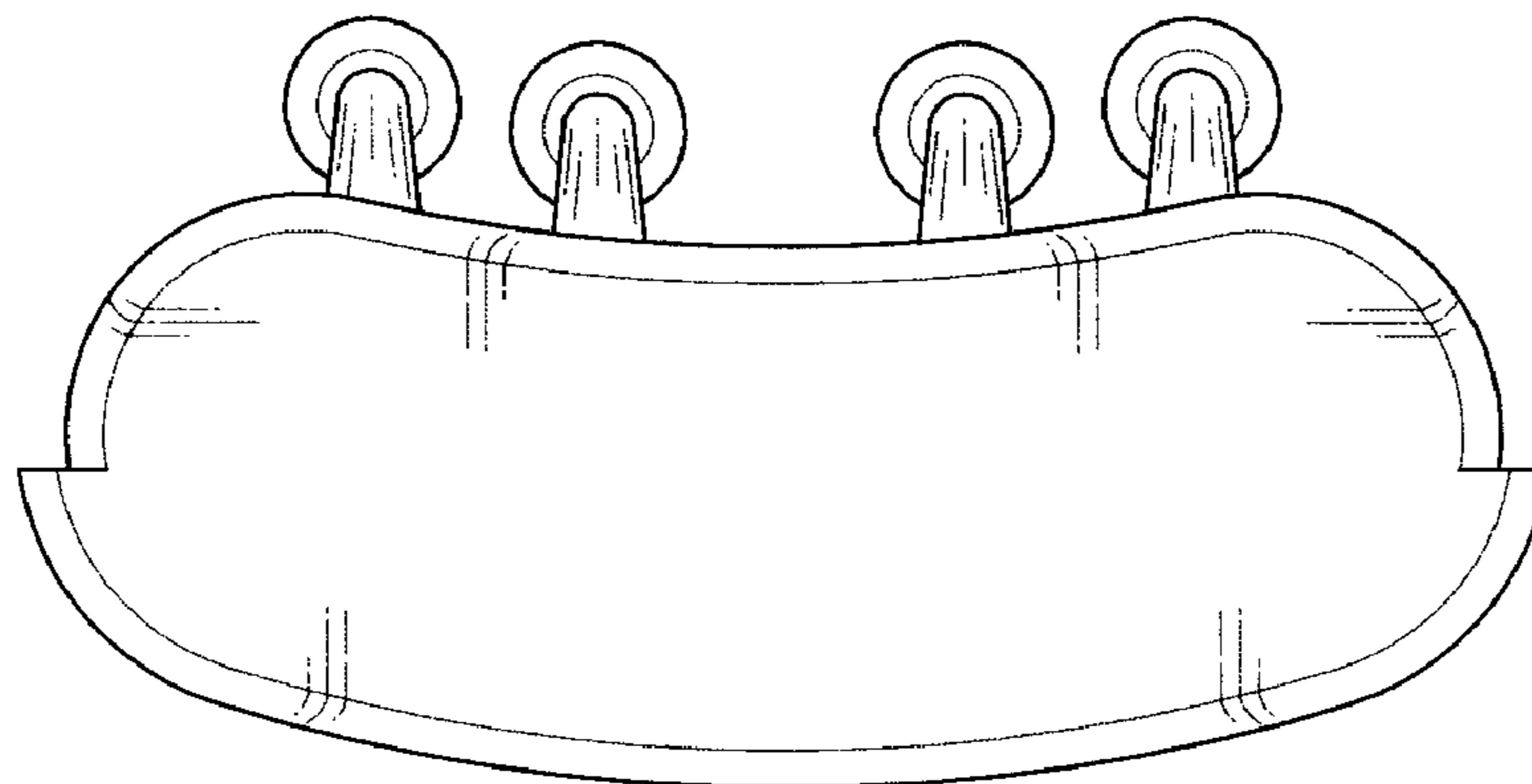


FIG. 8

