

US00D605775S

(12) **United States Design Patent**
Koch et al.

(10) **Patent No.:** **US D605,775 S**
(45) **Date of Patent:** **** Dec. 8, 2009**

(54) **DISPOSABLE MICROPORATION PORATOR**

(75) Inventors: **Erin Melissa Koch**, Chicago, IL (US);
Mark James Fisher, Highland Park, IL
(US); **Jeremiah Peter O'Leary**,
Chicago, IL (US); **Stephen Wilson**
Braun, Roswell, GA (US); **Uros**
Kascak, Atlanta, GA (US); **Loren J.**
Lantz, Tucker, GA (US); **Zoran**
Novakovic, Irvine, CA (US)

D380,552 S 7/1997 Frenkel et al.
D384,745 S 10/1997 Lattin et al.
D385,038 S 10/1997 Shultz
5,702,128 A * 12/1997 Maxim et al. 283/81
D437,217 S 2/2001 Bloor et al.
D537,947 S 3/2007 Miyachika et al.
D545,440 S 6/2007 Jensen
D574,500 S 8/2008 Koch et al.
D576,282 S * 9/2008 Yanaki D24/189
D588,274 S * 3/2009 Dent et al. D24/189

* cited by examiner

(73) Assignee: **Altea Therapeutics Corporation**,
Atlanta, GA (US)

Primary Examiner—T. Chase Nelson
Assistant Examiner—Michelle E Wilson
(74) *Attorney, Agent, or Firm*—King & Spalding

(**) Term: **14 Years**

(21) Appl. No.: **29/321,862**

(57) **CLAIM**

(22) Filed: **Jul. 24, 2008**

The ornamental design for a disposable microporation porator, as shown and described.

Related U.S. Application Data

(62) Division of application No. 29/260,181, filed on May 19, 2006, now Pat. No. Des. 574,500.

DESCRIPTION

(51) **LOC (9) Cl.** **24-04**

(52) **U.S. Cl.** **D24/189**

(58) **Field of Classification Search** D24/147,
D24/188–189; 602/44, 45, 48, 54, 55, 56,
602/57, 58, 59, 60, 61, 62

See application file for complete search history.

FIG. 1 is a front perspective view of a disposable microporation porator;

FIG. 2 is a left side elevational view of the disposable microporation porator of FIG. 1;

FIG. 3 is a right side elevational view of the disposable microporation porator of FIG. 1;

FIG. 4 is a top plan view of the disposable microporation porator of FIG. 1;

FIG. 5 is a bottom plan view of the disposable microporation porator of FIG. 1;

FIG. 6 is a front elevational view of the disposable microporation porator of FIG. 1; and,

FIG. 7 is a rear elevational view of disposable microporation porator of FIG. 1.

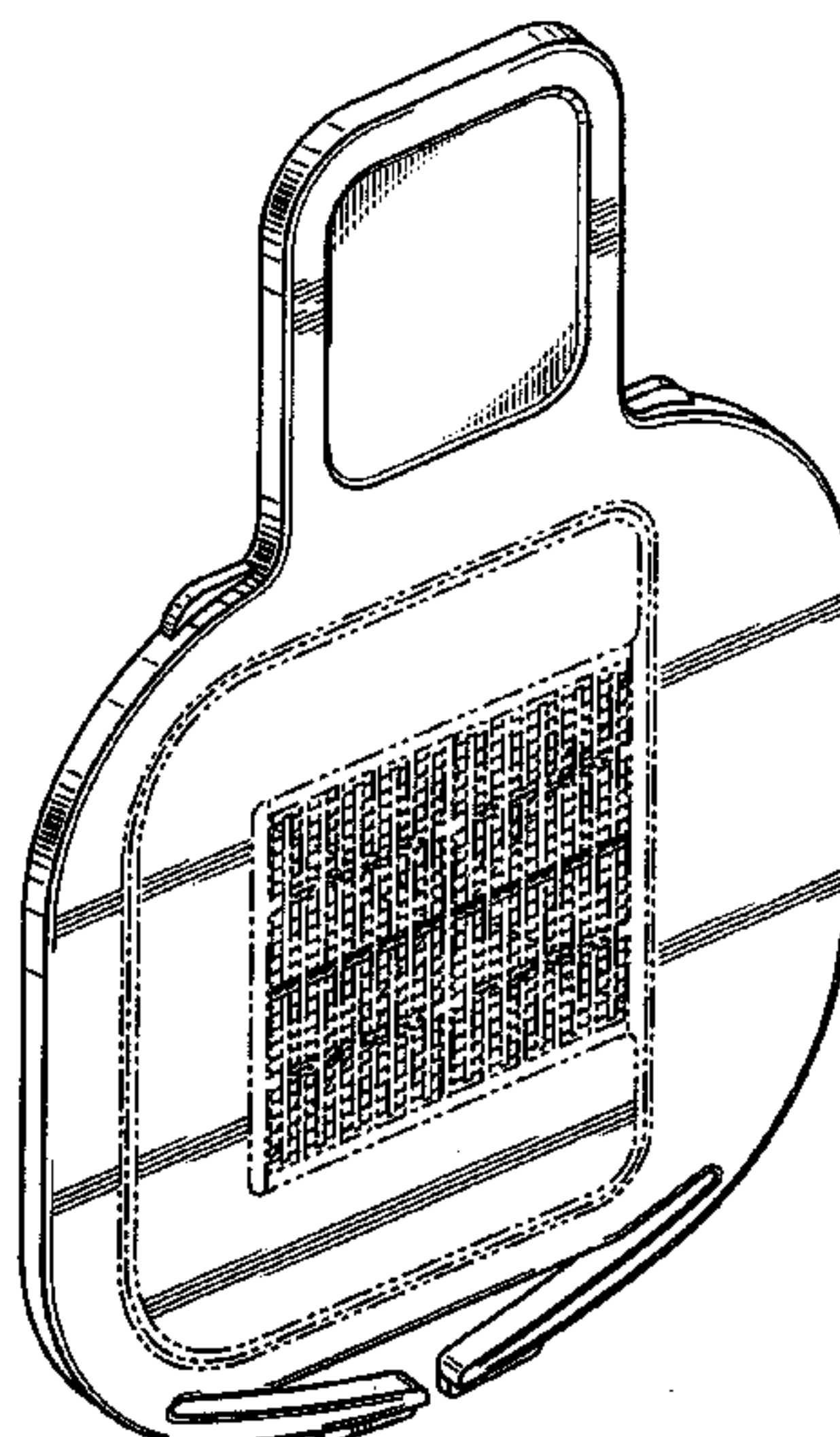
The broken lines shown in FIGS. 1–7 are for illustrative purposes only and form no part of the claimed design.

(56) **References Cited**

U.S. PATENT DOCUMENTS

5,006,108 A * 4/1991 LaPrade 604/20
5,088,978 A * 2/1992 Hillman et al. 604/20
D343,684 S * 1/1994 Paton et al. D24/189
D349,960 S * 8/1994 Gyory et al. D24/189
D357,743 S * 4/1995 Bilitz et al. D24/189
D359,806 S * 6/1995 Mikler et al. D24/189
D372,097 S 7/1996 Albert et al.
D372,098 S 7/1996 Lattin et al.
D372,787 S 8/1996 Dozier et al.

1 Claim, 3 Drawing Sheets



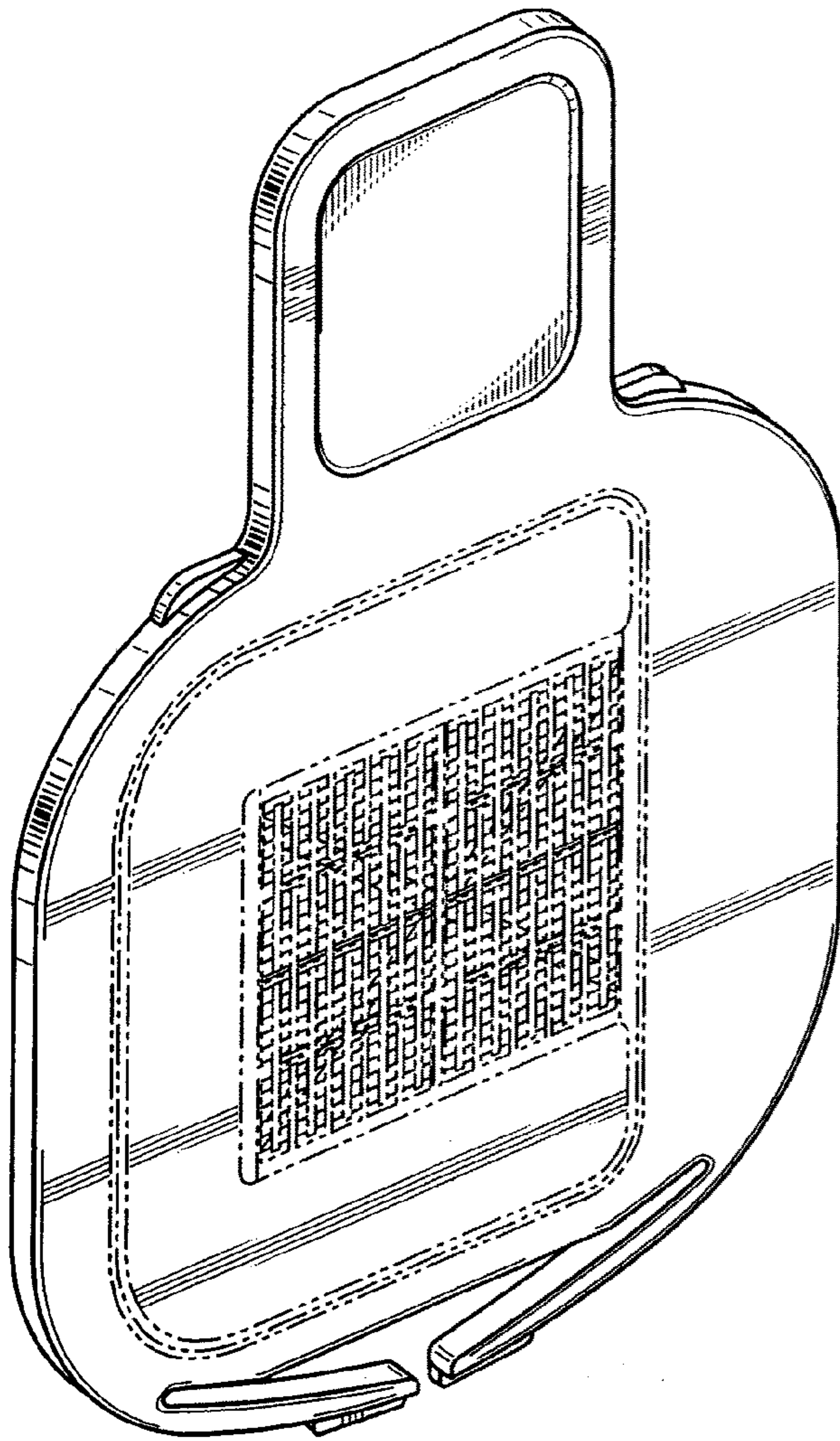


Fig. 1



Fig. 2



Fig. 3

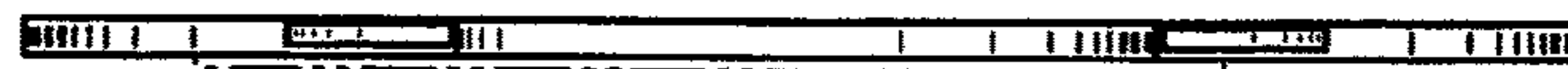


Fig. 4



Fig. 5

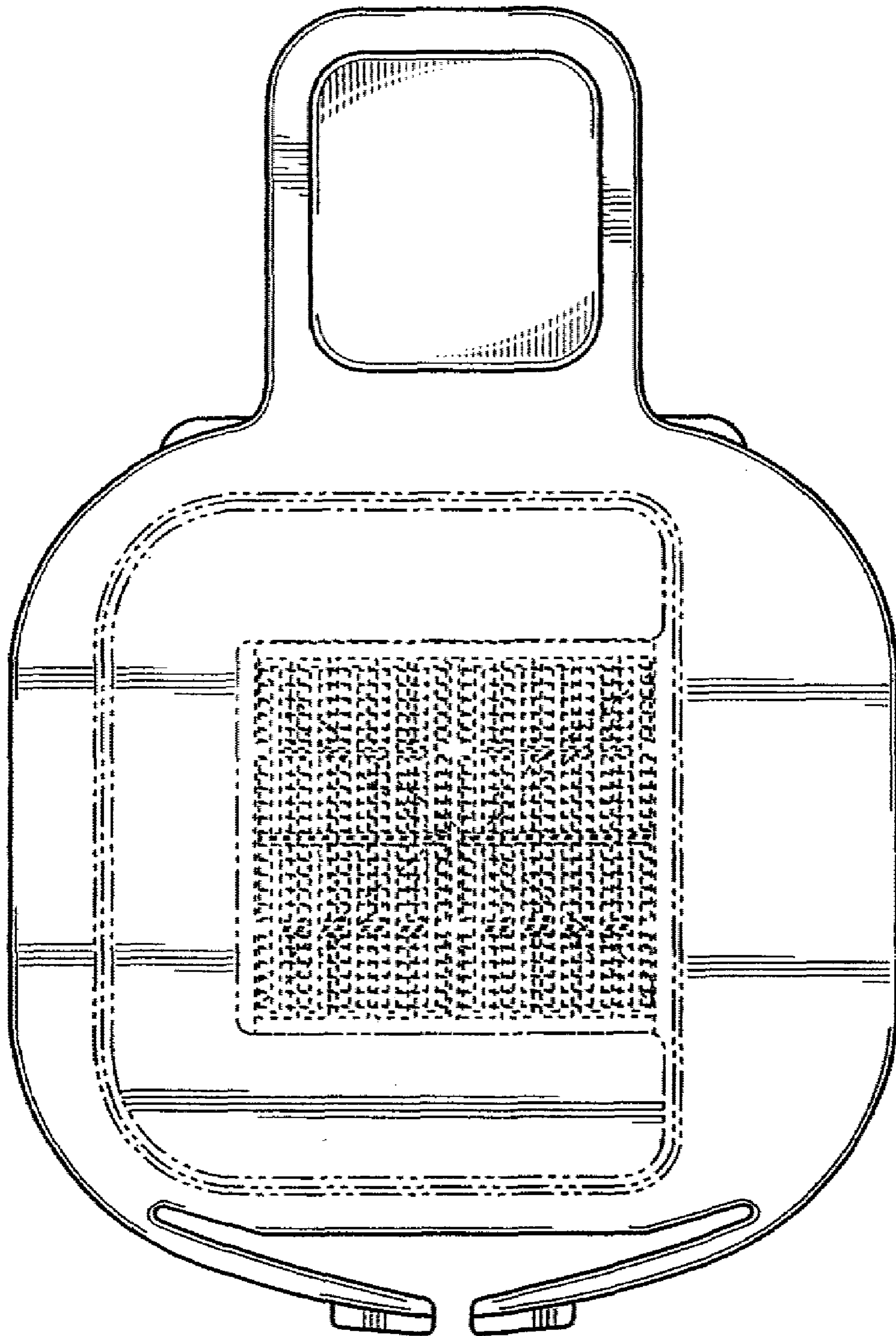


Fig. 6

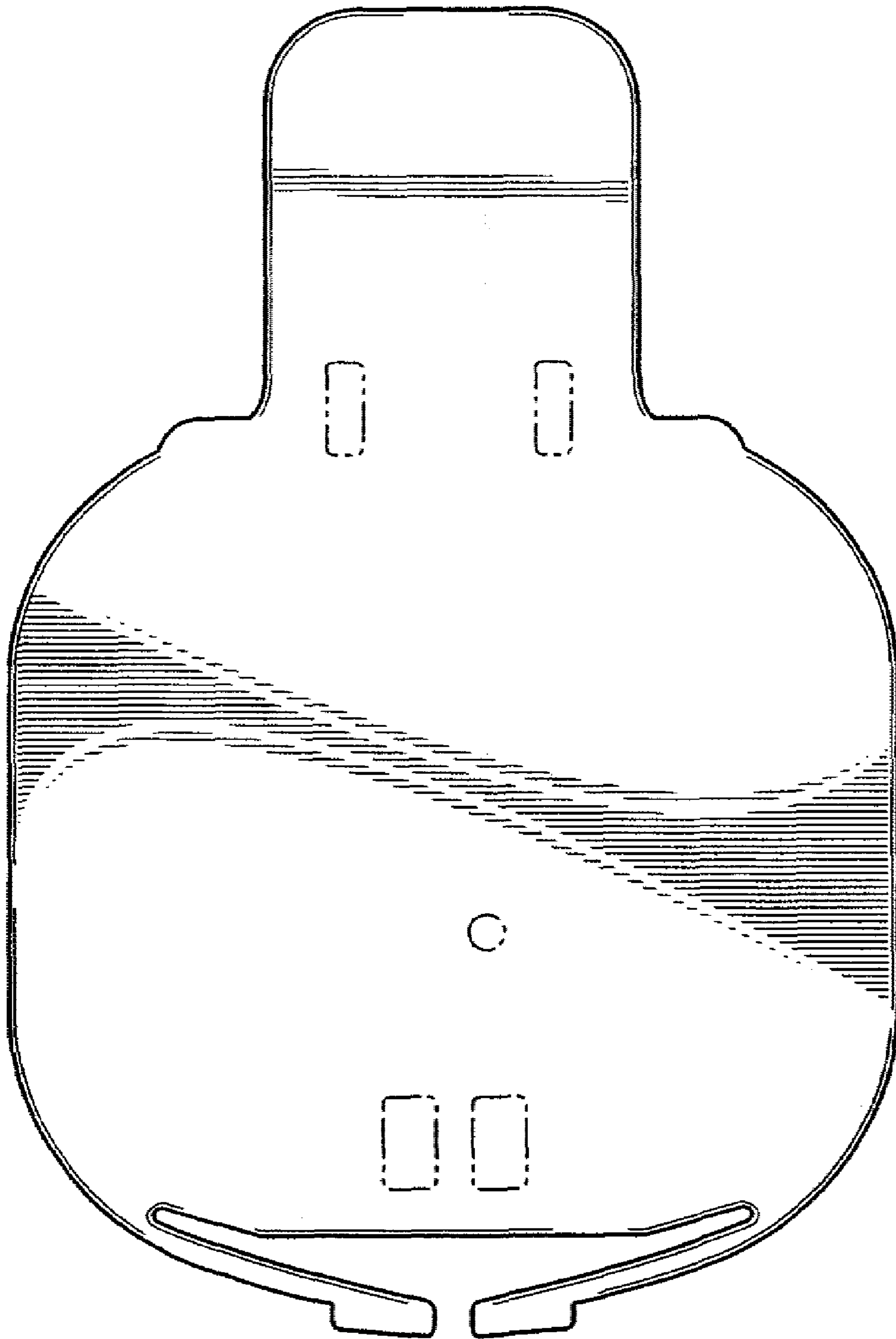


Fig. 1