



US00D605768S

(12) **United States Design Patent**
Zhukauskas et al.

(10) **Patent No.:** **US D605,768 S**
(45) **Date of Patent:** **** Dec. 8, 2009**

- (54) **ORTHOPEDIC BONE BLOCK**
- (75) Inventors: **Arunas A. Zhukauskas**, Gainesville, FL (US); **Guy B. Grover**, Gainesville, FL (US)
- (73) Assignee: **RTI Biologics, Inc.**, Alachua, FL (US)
- (**) Term: **14 Years**
- (21) Appl. No.: **29/329,503**
- (22) Filed: **Dec. 16, 2008**

- D336,683 S 6/1993 Inoue et al.
- 5,383,878 A 1/1995 Roger et al.
- 5,425,767 A 6/1995 Steininger et al.
- 5,443,509 A 8/1995 Boucher et al.
- 5,531,747 A 7/1996 Ray
- 5,772,664 A 6/1998 DeSatnick et al.
- 5,846,484 A 12/1998 Scarborough et al.
- 5,897,570 A 4/1999 Palleva et al.
- 5,951,560 A 9/1999 Simon et al.
- 6,025,538 A 2/2000 Yaccarino
- D426,148 S * 6/2000 Markarian D8/400
- 6,123,731 A 9/2000 Boyce et al.
- 6,200,347 B1 3/2001 Anderson et al.
- 6,368,325 B1 4/2002 McKinley et al.

Related U.S. Application Data

- (63) Continuation of application No. 29/255,371, filed on Mar. 6, 2006, now Pat. No. Des. 583,053, which is a continuation of application No. 11/313,280, filed on Dec. 19, 2005.

- (51) **LOC (9) Cl.** **24-03**
- (52) **U.S. Cl.** **D24/155**
- (58) **Field of Classification Search** D24/155, D24/156; 606/61, 72, 74; 623/17.16, 17.17, 623/11.1; 433/173; D8/173, 400, 52
See application file for complete search history.

(56) **References Cited**

U.S. PATENT DOCUMENTS

- D3,574 S * 7/1869 Benedict D8/400
- D26,174 S * 10/1896 Bren D8/400
- 3,705,586 A 12/1972 Sarracino
- D236,683 S * 9/1975 Tegner et al. D8/400
- 4,034,444 A 7/1977 Moertel
- 4,611,592 A 9/1986 Talboy
- 4,781,183 A 11/1988 Casey et al.
- 4,911,710 A 3/1990 Milthorpe et al.
- 4,927,421 A 5/1990 Goble et al.
- 5,067,962 A 11/1991 Campbell et al.
- 5,092,887 A 3/1992 Gendler
- 5,133,168 A * 7/1992 Neilly et al. D25/52

(Continued)

OTHER PUBLICATIONS

Advertisement for LinX HT Hamstring Tendon Polymer Fastener by Innovasive Devices, Inc.

(Continued)

Primary Examiner—Charles A Rademaker
(74) *Attorney, Agent, or Firm*—McAndrews, Held & Malloy, Ltd.

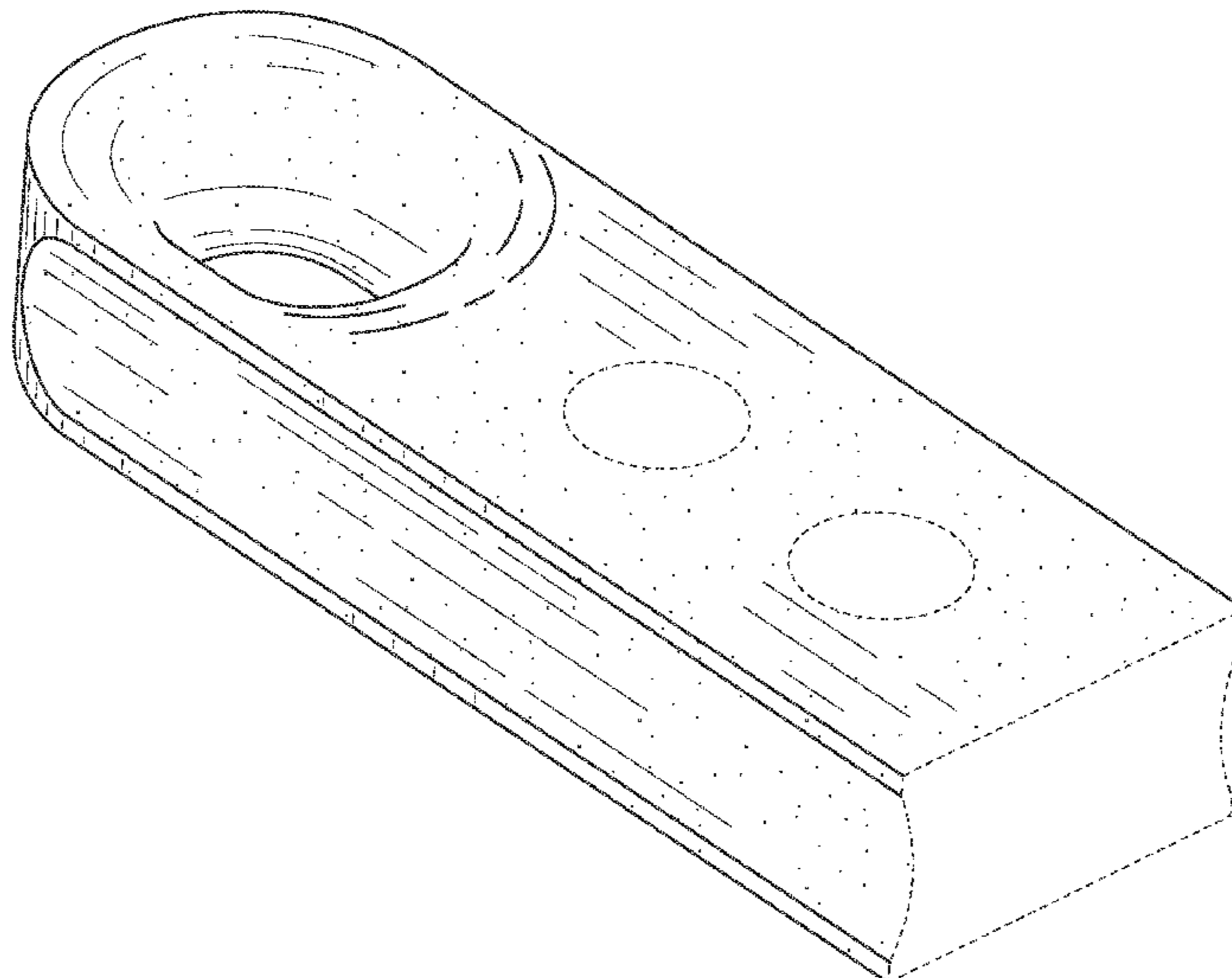
(57) **CLAIM**

The ornamental design for an orthopedic bone block, as shown and described.

DESCRIPTION

FIG. 1 is a perspective view of our new design for an orthopedic bone block; and,
FIG. 2 is a top plan view thereof, the side opposite being a mirror image.
The broken lines in the drawings are included for the purpose of illustrating environmental structure and form no part of the claimed design.

1 Claim, 1 Drawing Sheet



US D605,768 S

Page 2

U.S. PATENT DOCUMENTS

D463,559 S 9/2002 Bryant et al.
6,482,584 B1 11/2002 Mills et al.
6,497,726 B1 12/2002 Carter et al.
D471,085 S * 3/2003 Markarian D8/400
6,592,622 B1 7/2003 Ferguson
D479,331 S 9/2003 Pike et al.
6,613,278 B1 9/2003 Mills et al.
6,632,247 B2 10/2003 Boyer, II et al.
6,652,818 B1 11/2003 Mills et al.
6,730,124 B2 5/2004 Steiner
6,761,739 B2 7/2004 Shepard
6,805,713 B1 10/2004 Carter et al.
6,857,874 B2 * 2/2005 Kim 433/173
6,890,354 B2 5/2005 Steiner et al.
6,893,462 B2 5/2005 Buskirk et al.
7,141,066 B2 11/2006 Steiner et al.
D536,453 S 2/2007 Young et al.
D553,745 S 10/2007 Park
7,351,262 B2 4/2008 Bindseil et al.
2001/0031254 A1 10/2001 Bianchi et al.
2002/0029084 A1 3/2002 Paul et al.
2002/0072806 A1 6/2002 Buskirk et al.

2003/0023304 A1 1/2003 Carter et al.
2003/0171810 A1 9/2003 Steiner
2003/0171811 A1 9/2003 Steiner et al.
2004/0030385 A1 2/2004 Steiner
2004/0210308 A1 10/2004 Carter et al.
2005/0015940 A1 1/2005 Stafford
2005/0059987 A1 3/2005 Hermann et al.
2005/0152881 A1 7/2005 Mills et al.
2005/0159812 A1 7/2005 Dinger, III et al.
2005/0228378 A1 10/2005 Kalfas et al.
2005/0229323 A1 10/2005 Mills et al.

OTHER PUBLICATIONS

Non-Final Rejection corresponding to U.S. Appl. No. 11/073,202,
mailed Aug. 5, 2008.
Non-Final Rejection corresponding to U.S. Appl. No. 11/073,400,
mailed Sep. 8, 2008.
Non-Final Rejection corresponding to U.S. Appl. No. 11/073,281,
mailed Aug. 5, 2008.
Non-Final Rejection corresponding to U.S. Appl. No. 11/313,280,
mailed Sep. 30, 2008.

* cited by examiner

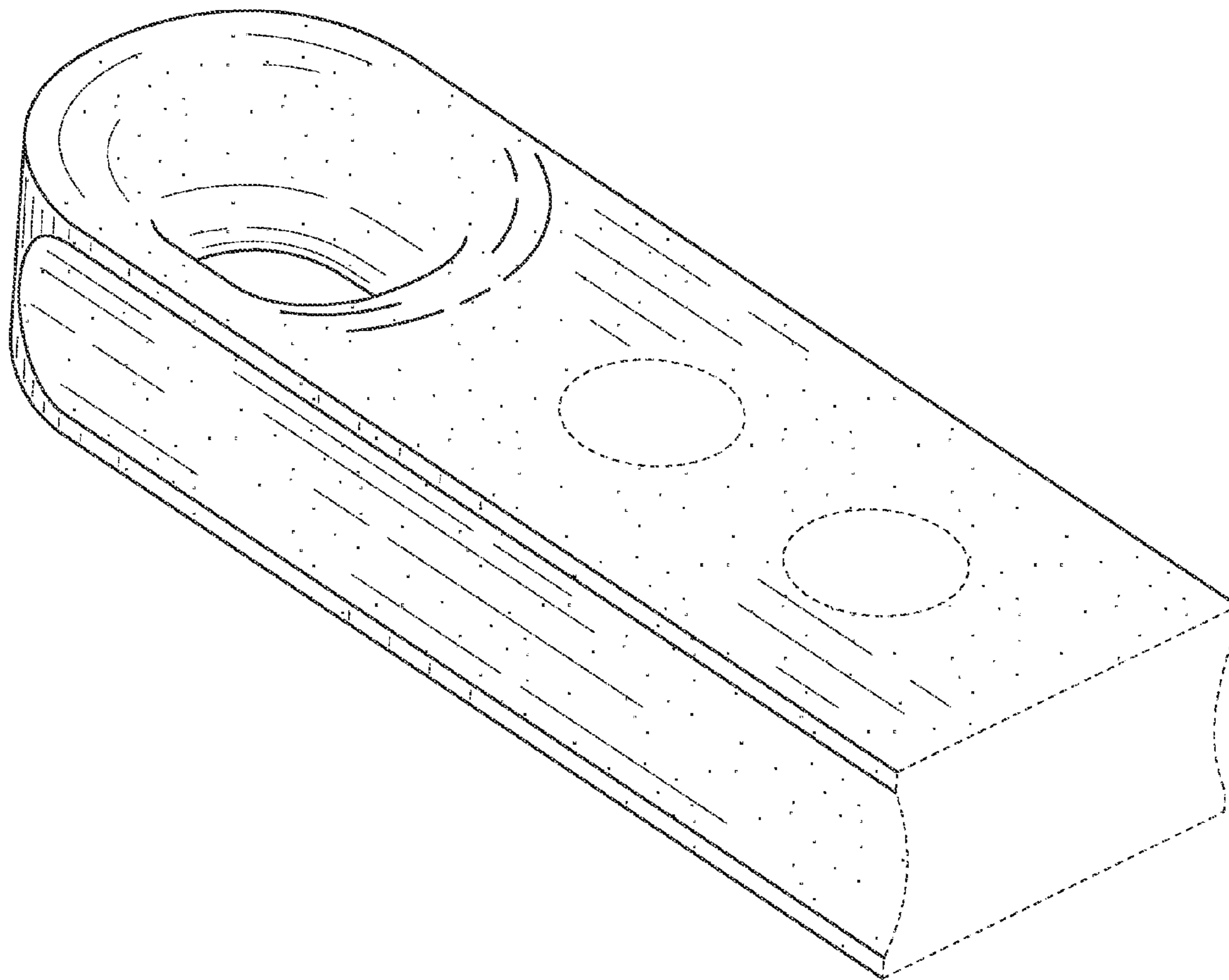


FIG. 1

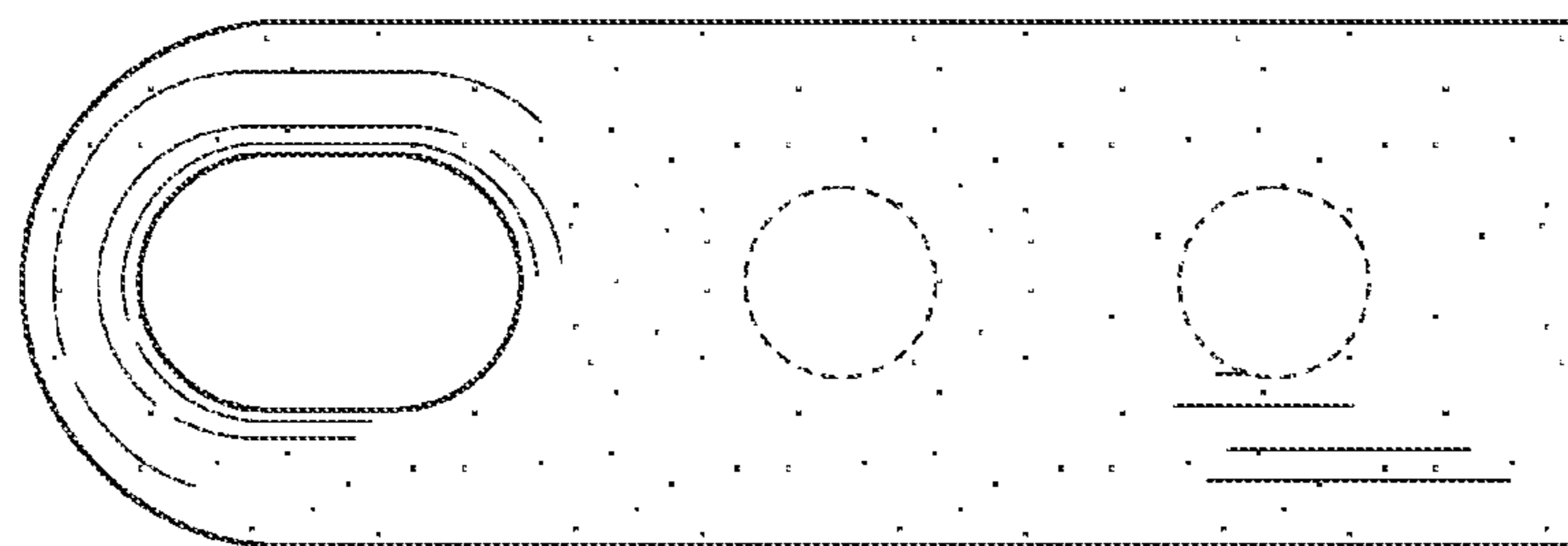


FIG. 2