

US00D605766S

(12) **United States Design Patent**
Hahn

(10) **Patent No.:** **US D605,766 S**
(45) **Date of Patent:** **** Dec. 8, 2009**

(54) **MEDICAL INSTRUMENT**

2006/0047293 A1* 3/2006 Haberland et al. 606/167

(75) Inventor: **Martin Hahn**, Boll (DE)

* cited by examiner

(73) Assignee: **Karl Storz GmbH & Co. KG** (DE)

Primary Examiner—Ian Simmons
Assistant Examiner—Christopher Lee

(**) Term: **14 Years**

(74) *Attorney, Agent, or Firm*—St. Onge Steward Johnston & Reens LLC

(21) Appl. No.: **29/328,568**

(57) **CLAIM**

(22) Filed: **Nov. 26, 2008**

The ornamental design for a medical instrument, as shown and described.

(30) **Foreign Application Priority Data**

May 27, 2008 (EM) 000940481

DESCRIPTION

(51) **LOC (9) Cl.** **24-02**

FIG. 1 is a top isometric view of a medical instrument in accordance with the new design;

(52) **U.S. Cl.** **D24/146**

FIG. 2 is a top view thereof;

(58) **Field of Classification Search** D24/146,

FIG. 3 is a bottom view thereof;

D24/147, 143, 140, 130, 138, 167; 604/256,

FIG. 4 is a left side view thereof;

604/254, 192; 606/167, 184, 185

FIG. 5 is a right side view thereof;

See application file for complete search history.

FIG. 6 is a rear view thereof; and,

(56) **References Cited**

U.S. PATENT DOCUMENTS

FIG. 7 is a front view thereof.

5,397,314 A * 3/1995 Farley et al. 604/256

The center shaft portion of a medical instrument in FIGS. 2-5 is shown broken away for ease of illustration.

5,545,150 A * 8/1996 Danks et al. 604/256

The broken line showing the rear interior portion of FIGS. 1 and 6 is for the purpose of illustrating environmental structure and forms no part of the claimed design.

5,807,338 A * 9/1998 Smith et al. 604/164.01

5,843,031 A * 12/1998 Hermann et al. 604/95.01

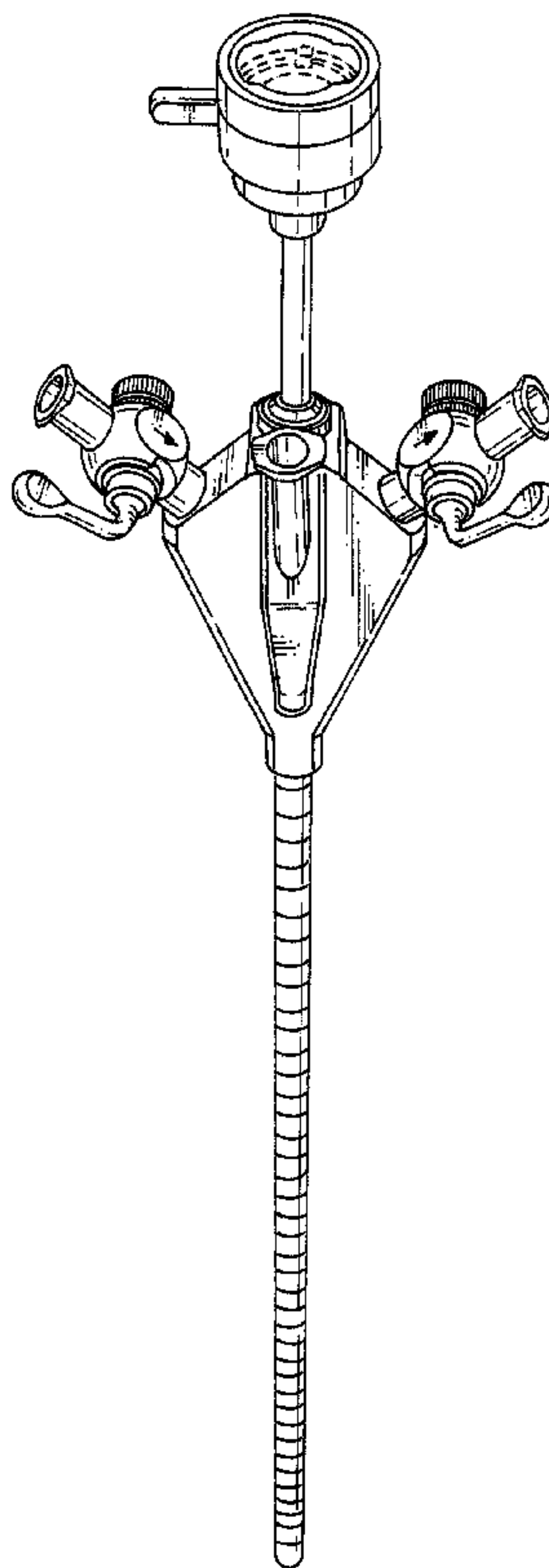
D426,635 S * 6/2000 Haberland et al. D24/146

D434,148 S * 11/2000 Sauer et al. D24/146

D449,887 S * 10/2001 Haberland et al. D24/146

D537,941 S * 3/2007 Haberland et al. D24/143

1 Claim, 6 Drawing Sheets



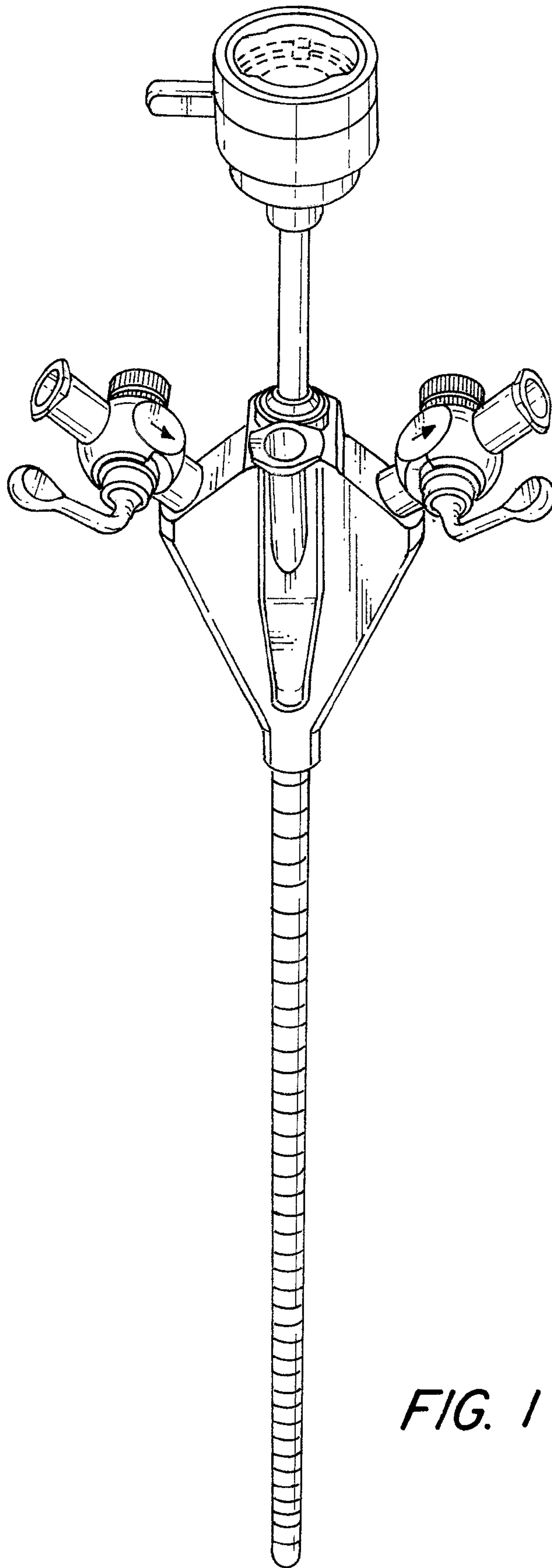


FIG. 1

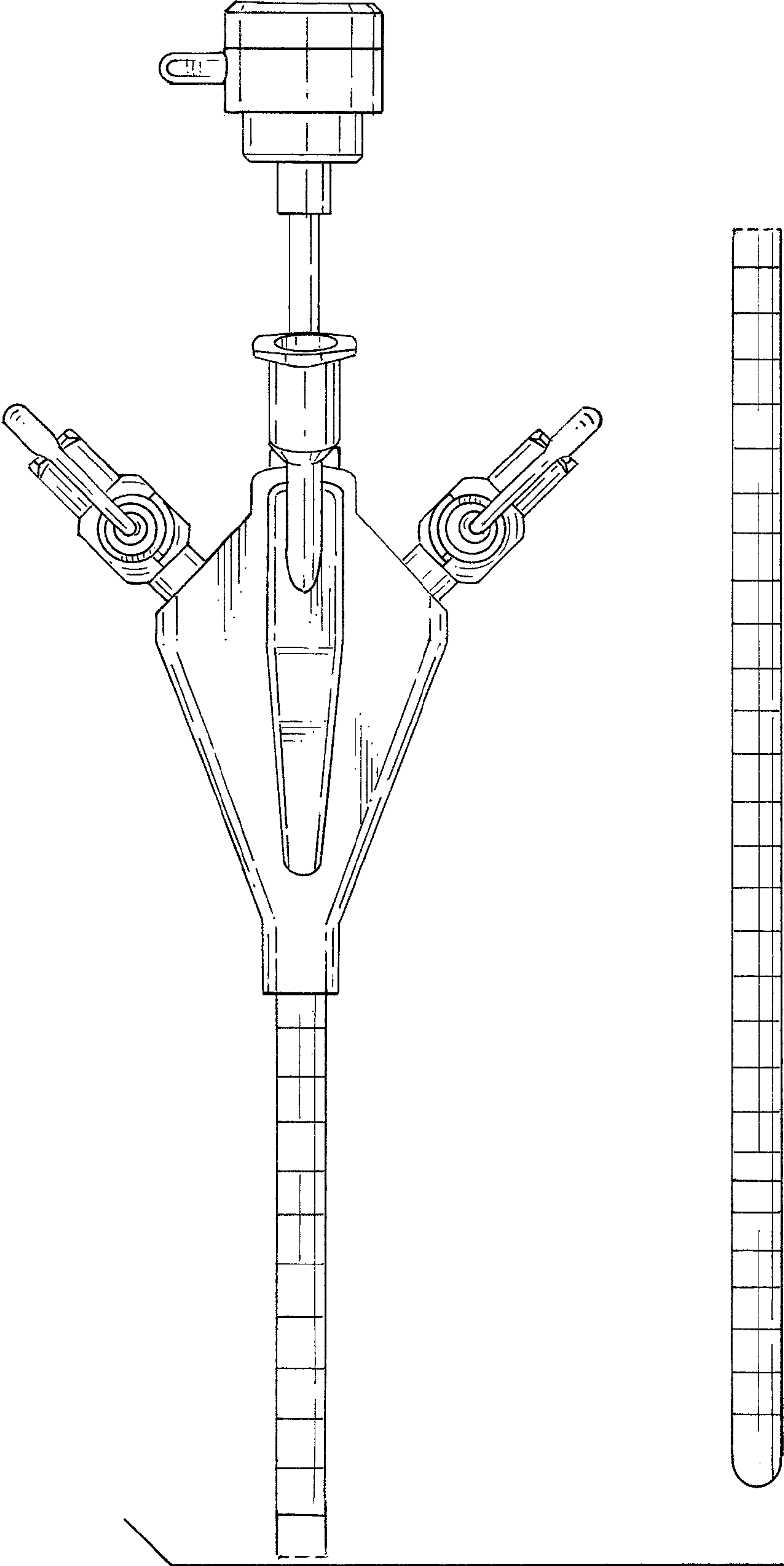


FIG. 2

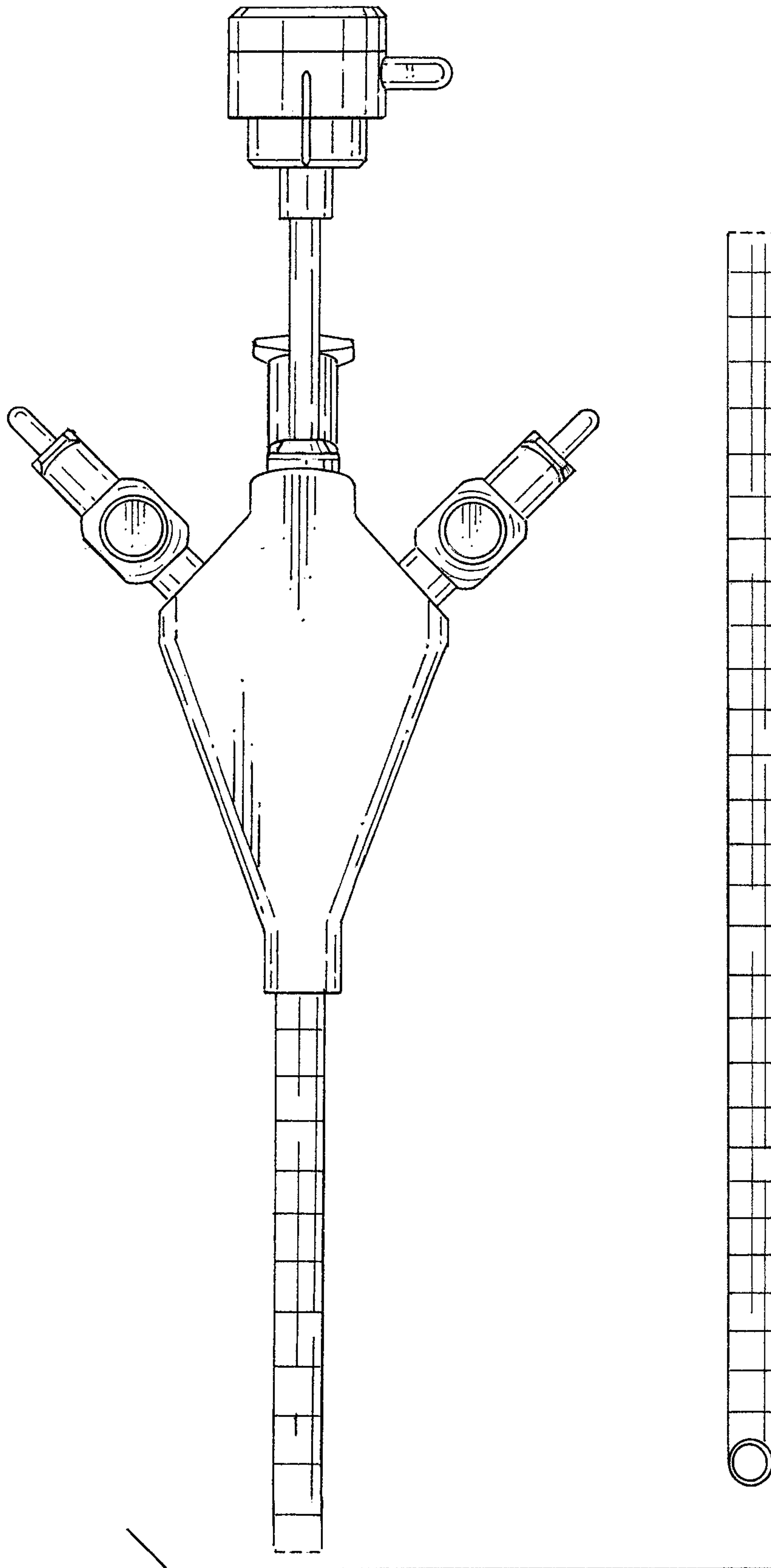


FIG. 3

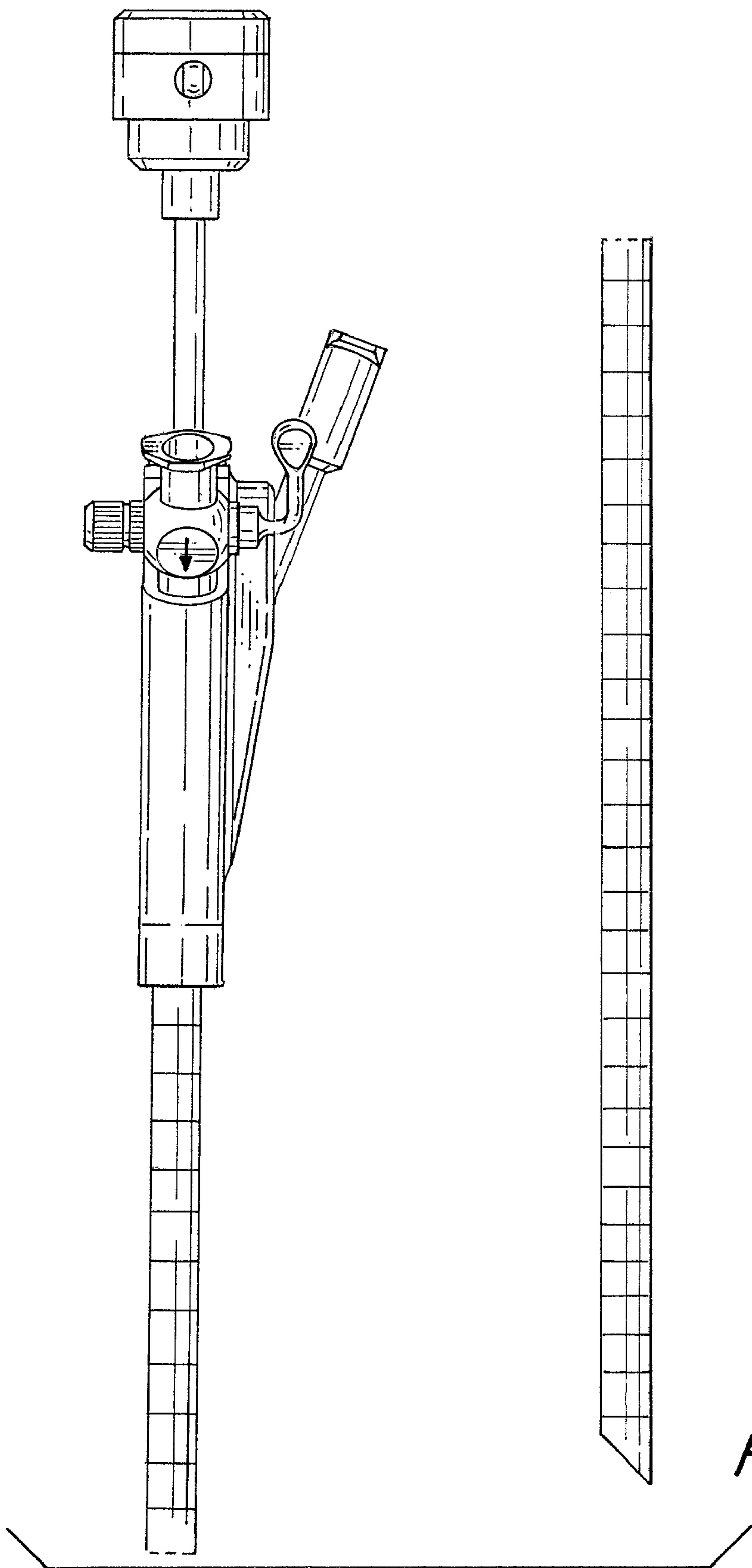


FIG. 4

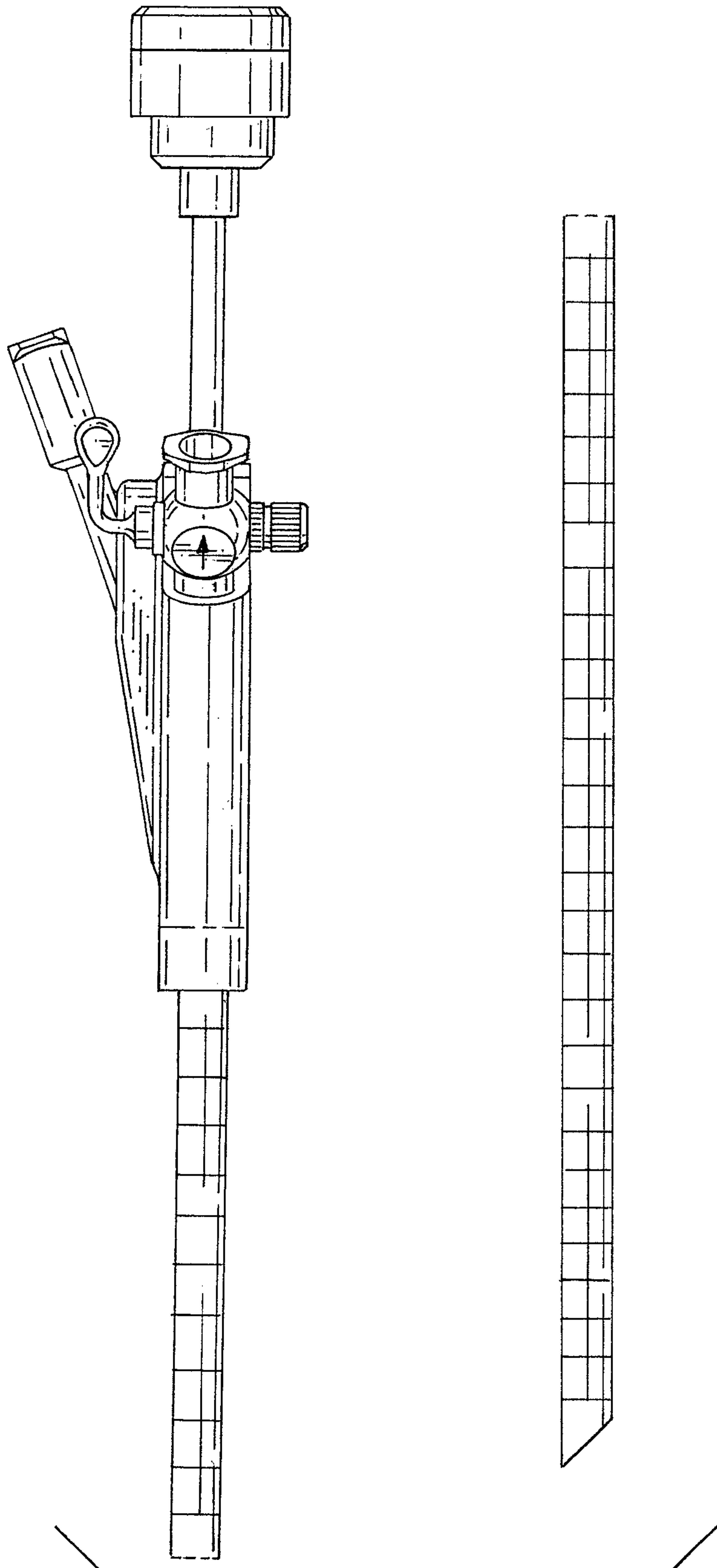


FIG. 5

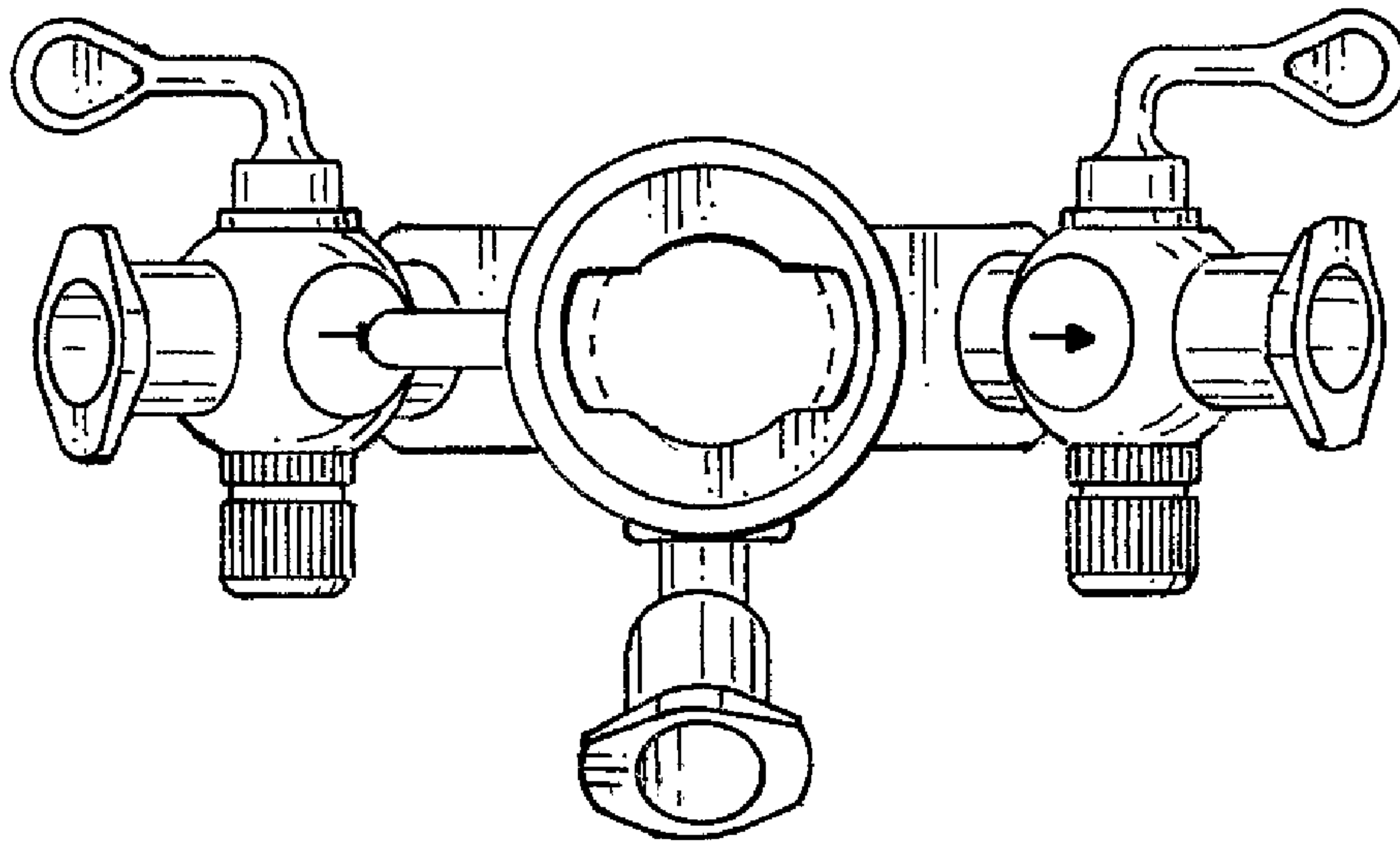


FIG. 6

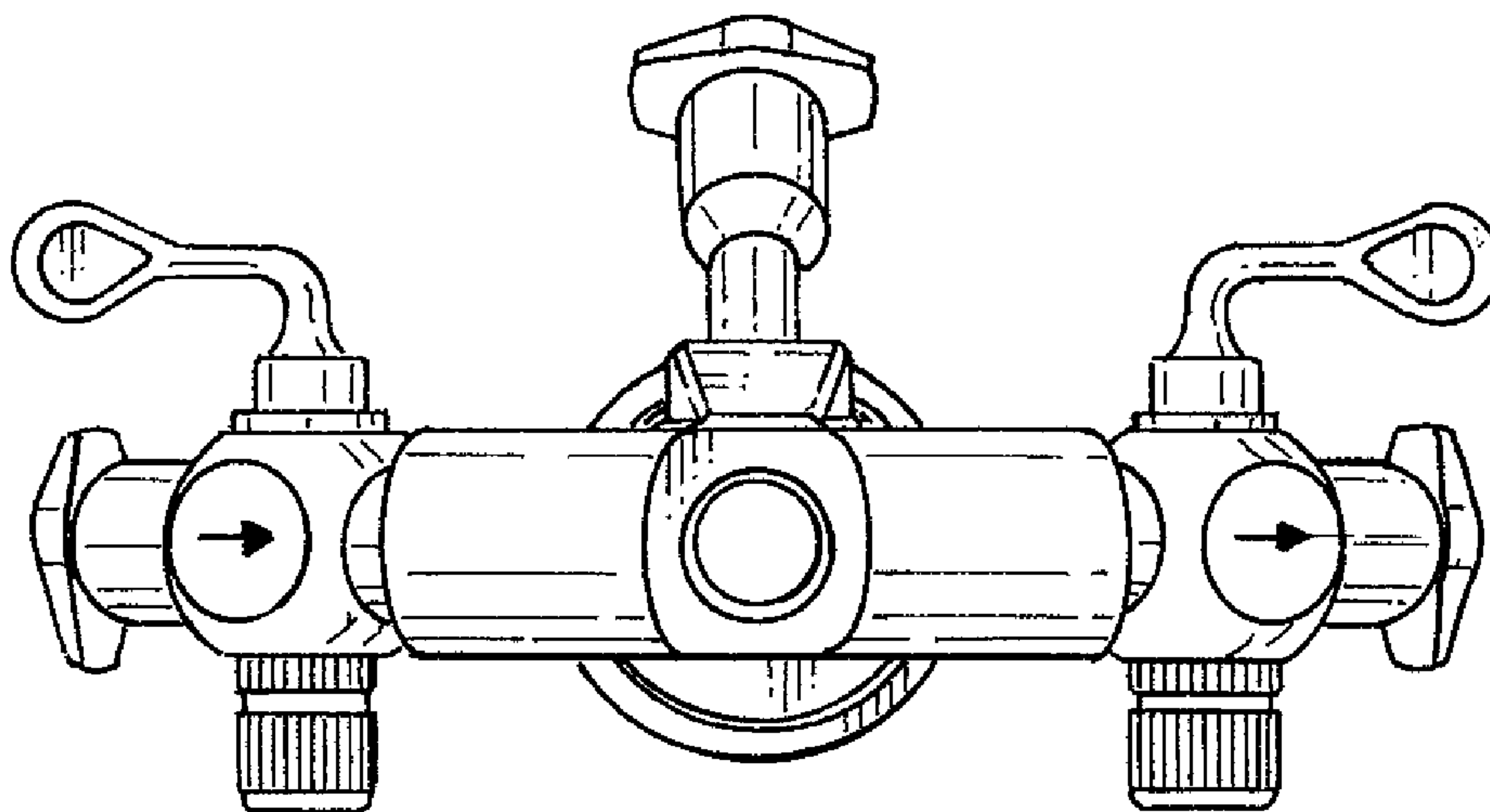


FIG. 7