



US00D605765S

(12) **United States Design Patent**
Gaab

(10) **Patent No.:** **US D605,765 S**
(45) **Date of Patent:** **** Dec. 8, 2009**

- (54) **TROCAR**
- (75) Inventor: **Michael Gaab**, Hannover (DE)
- (73) Assignee: **Karl Storz GmbH & Co. KG** (DE)
- (**) Term: **14 Years**
- (21) Appl. No.: **29/328,566**
- (22) Filed: **Nov. 26, 2008**
- (30) **Foreign Application Priority Data**
May 26, 2008 (EM) 000941729
- (51) **LOC (9) Cl.** **24-02**
- (52) **U.S. Cl.** **D24/146**
- (58) **Field of Classification Search** D24/146,
D24/140, 147; 604/184, 256, 265, 172, 167.06,
604/164.05; 606/184, 195, 190, 167, 170
See application file for complete search history.

- (56) **References Cited**
U.S. PATENT DOCUMENTS
D362,066 S * 9/1995 Petruschke et al. D24/146
D434,148 S * 11/2000 Sauer et al. D24/146
2004/0111060 A1 * 6/2004 Racenet et al. 604/167.01
2008/0319467 A1 * 12/2008 Wenchell 606/170

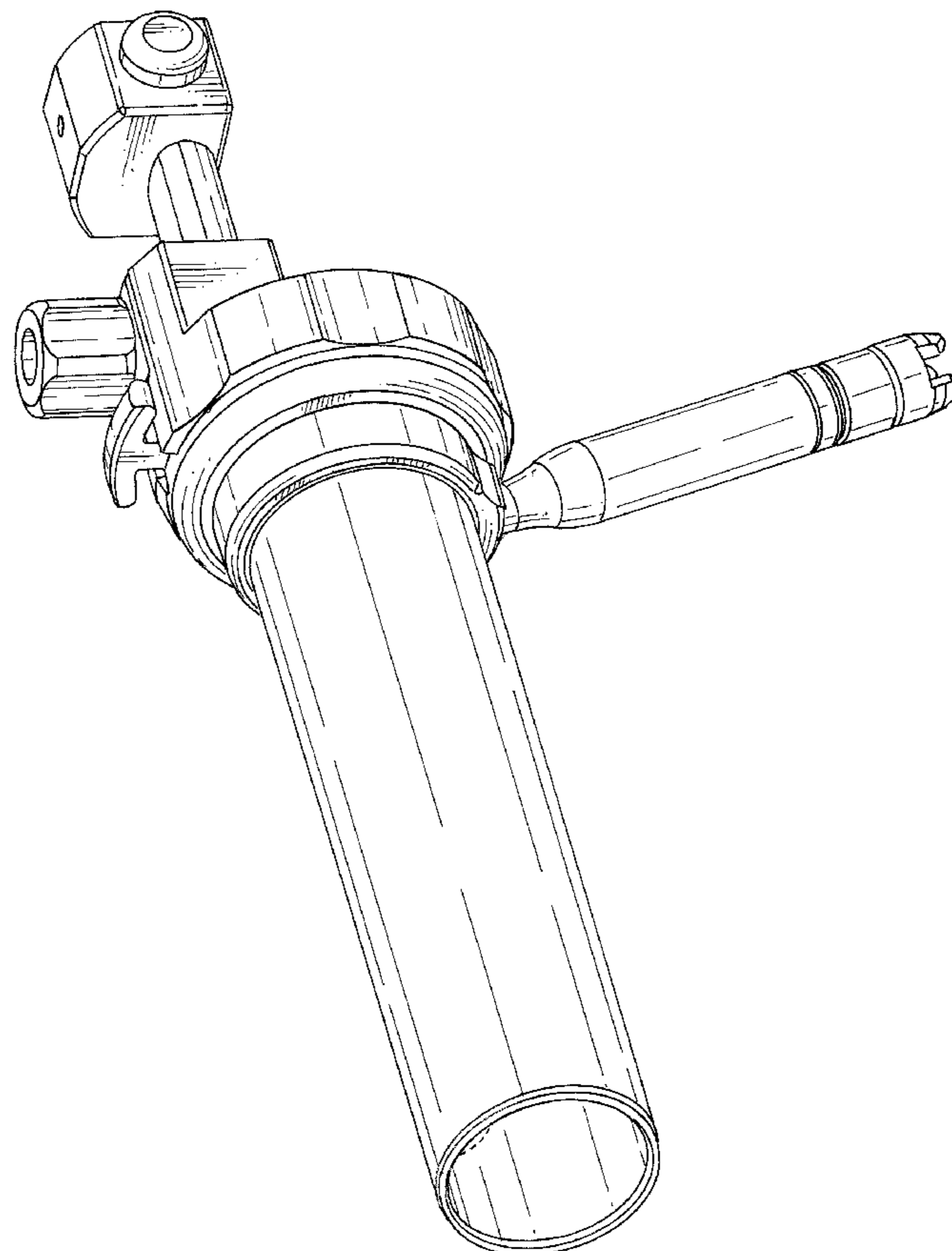
2009/0082720 A1* 3/2009 Smith 604/30
* cited by examiner
Primary Examiner—Ian Simmons
Assistant Examiner—Christopher Lee
(74) *Attorney, Agent, or Firm*—St. Onge Steward Johnston & Reens LLC

(57) **CLAIM**
The ornamental design for a trocar, as shown and described.

DESCRIPTION
FIG. 1 is a front isometric view of a trocar in accordance with the new design;
FIG. 2 is a left side view thereof;
FIG. 3 is a right side view thereof;
FIG. 4 is a top view thereof;
FIG. 5 is a bottom view thereof;
FIG. 6 is a rear view thereof; and,
FIG. 7 is a front view thereof.

The broken lines in FIGS. 1, 4, 6 and 7 are included for the purpose of illustrating a portion of the trocar that forms no part of the claimed design.

1 Claim, 6 Drawing Sheets



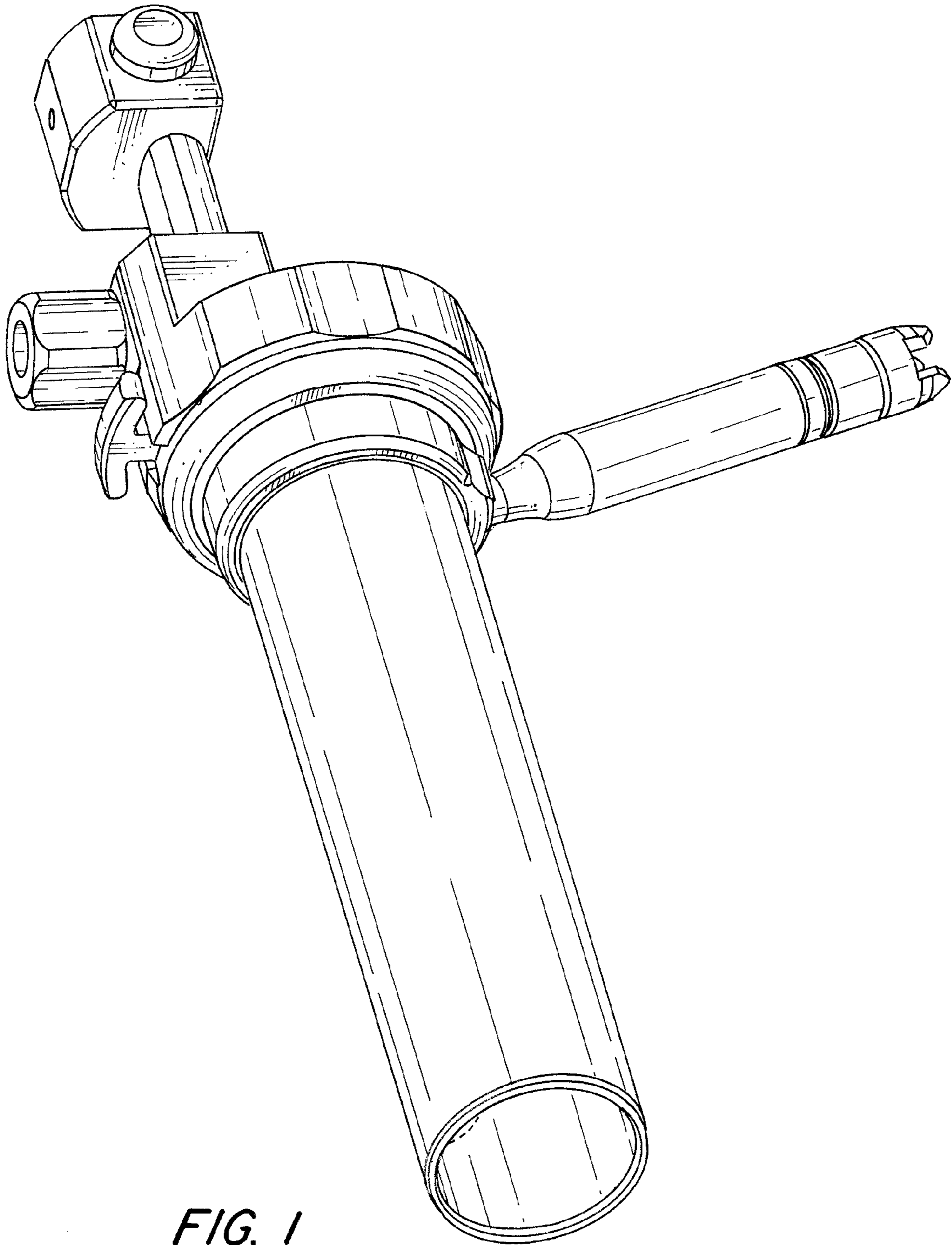


FIG. 1

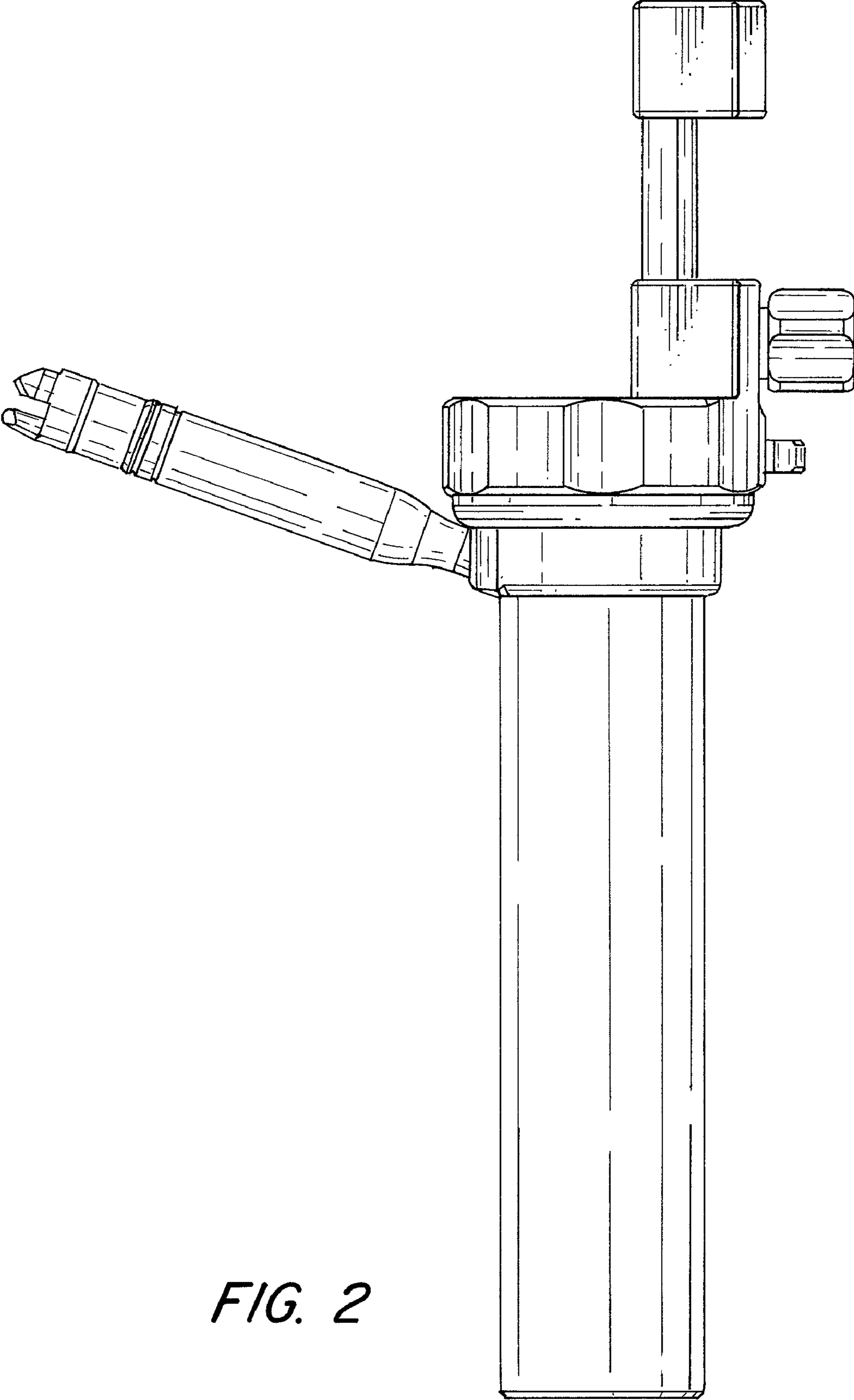


FIG. 2

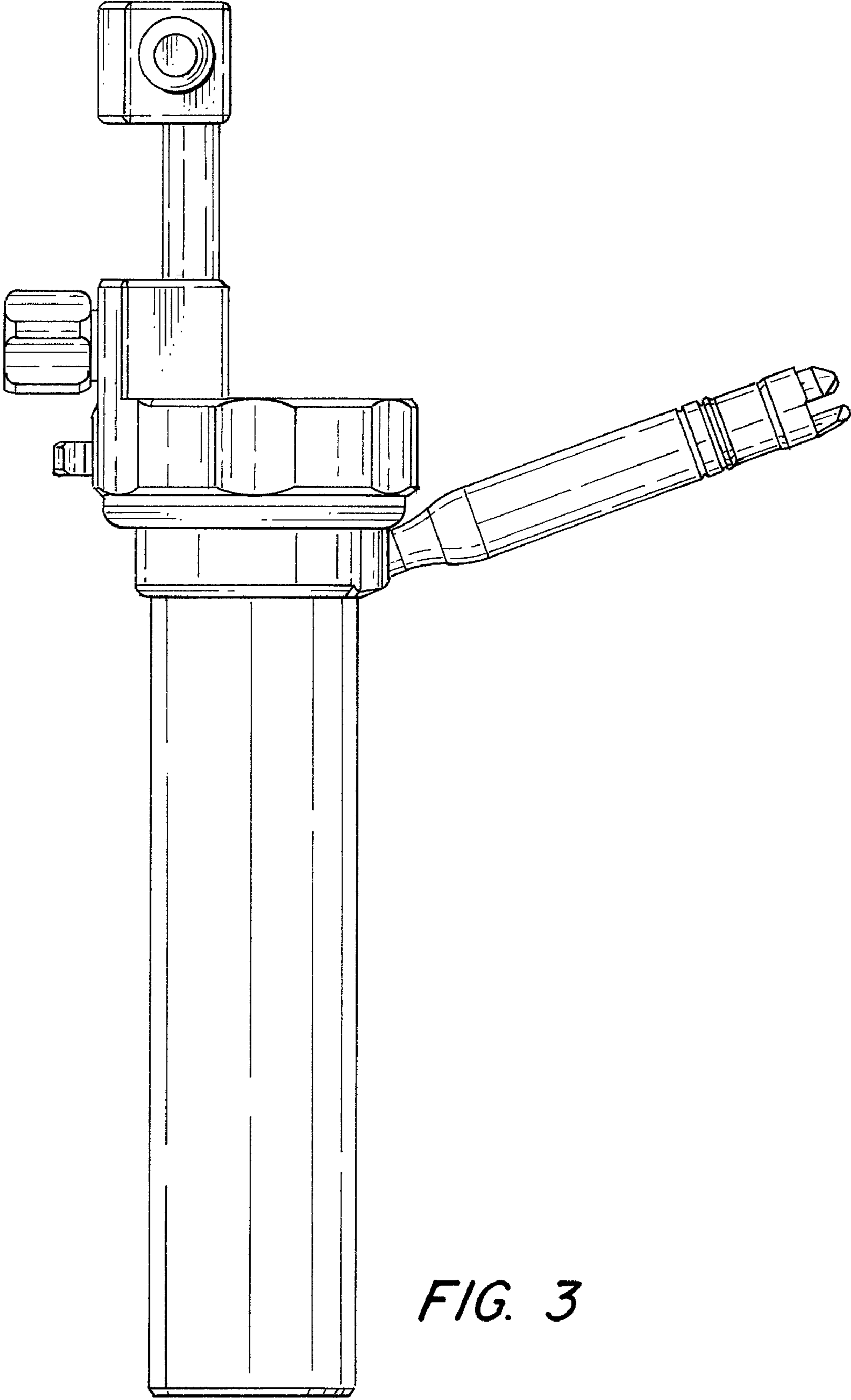


FIG. 3

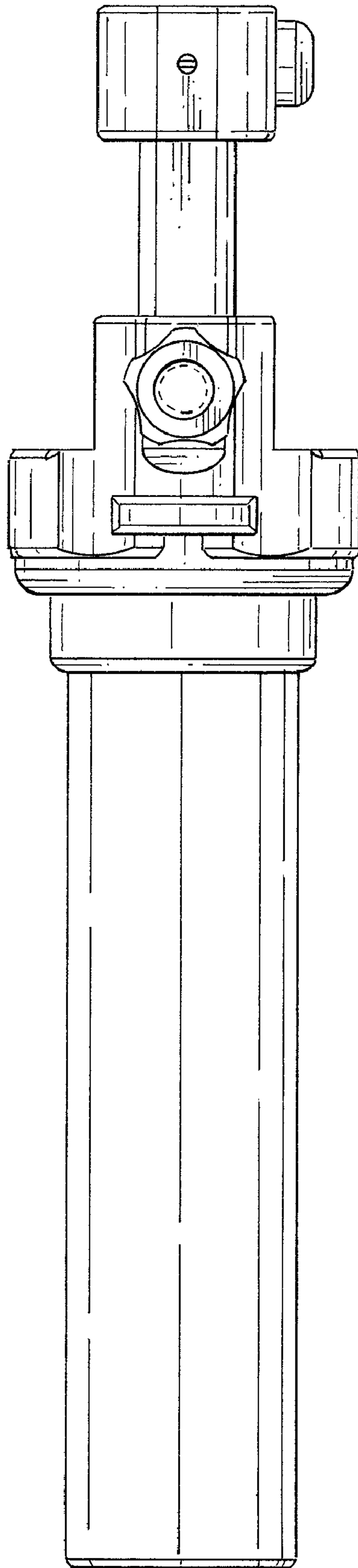


FIG. 4

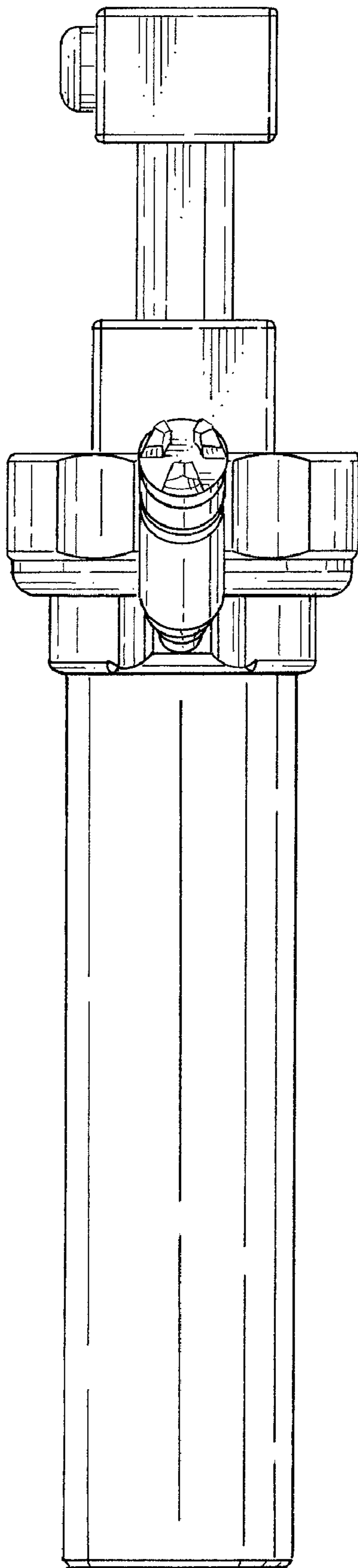


FIG. 5

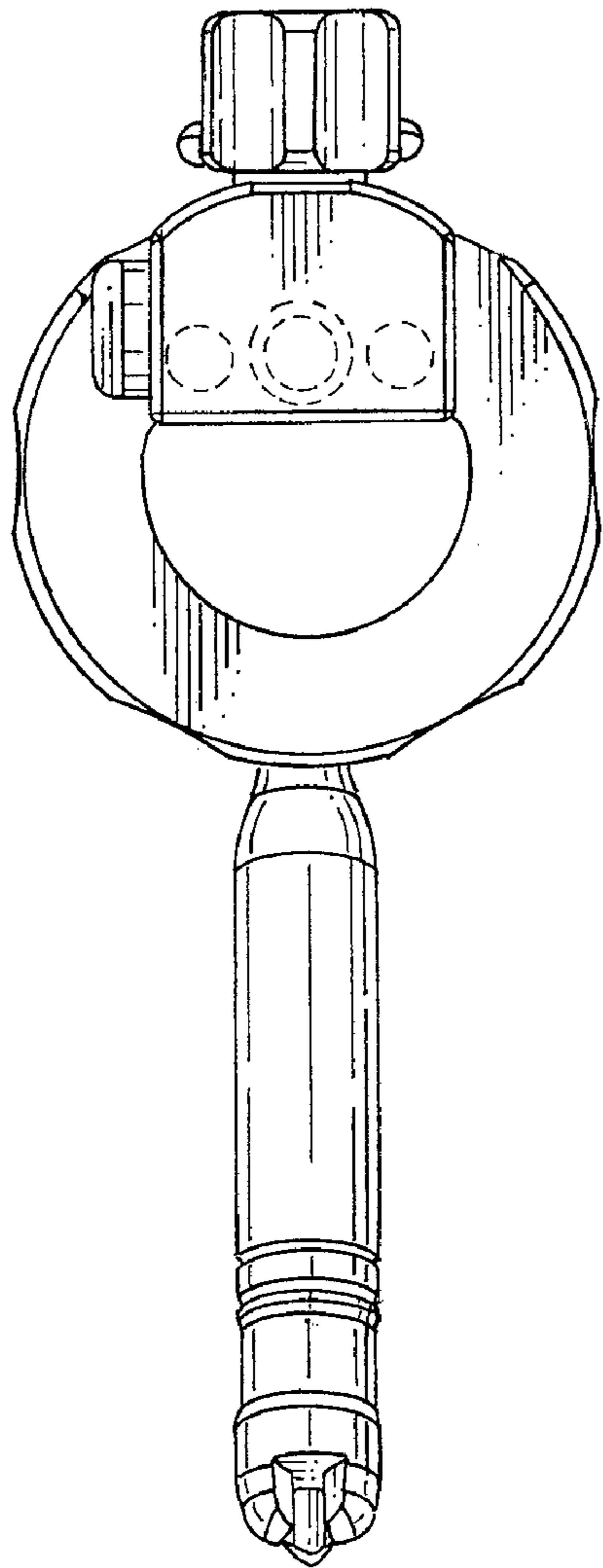


FIG. 6

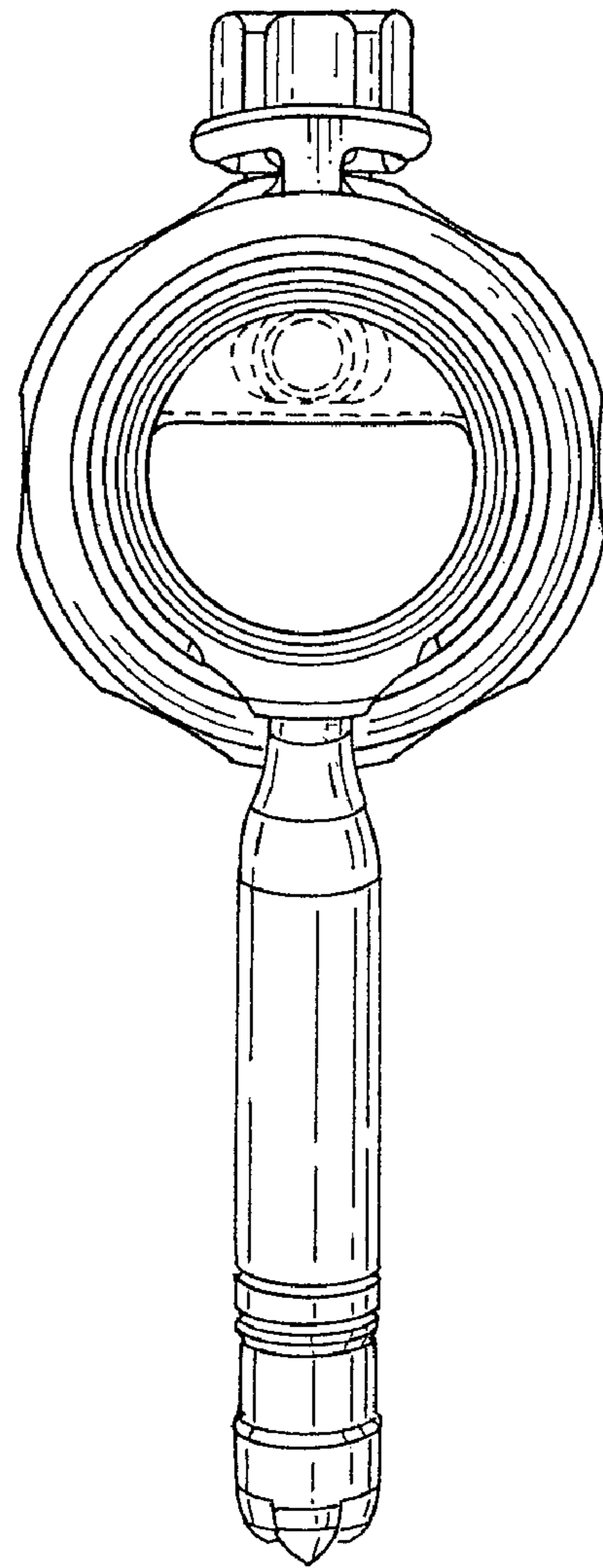


FIG. 7