



US00D605762S

(12) **United States Design Patent**
Nalagatla et al.

(10) **Patent No.:** **US D605,762 S**

(45) **Date of Patent:** **** *Dec. 8, 2009**

(54) **SURGICAL STAPLER CARTRIDGE**

(75) Inventors: **Anil K. Nalagatla**, Mason, OH (US);
Sudhir B. Patel, Mason, OH (US)

(73) Assignee: **Ethicon Endo-Surgery, Inc.**, Cincinnati,
OH (US)

(**) Term: **14 Years**

(21) Appl. No.: **29/282,250**

(22) Filed: **Jul. 16, 2007**

(51) **LOC (9) Cl.** **24-02**

(52) **U.S. Cl.** **D24/145**

(58) **Field of Classification Search** D24/145;
606/60, 72, 75, 219, 213, 220, 215, 222,
606/221; 227/901, 902, 175.1, 176.1, 177.1,
227/180.1, 181.1, 19, 178.1

See application file for complete search history.

(56) **References Cited**

U.S. PATENT DOCUMENTS

3,490,675	A	1/1970	Green, et al.	
D278,081	S *	3/1985	Green	D24/145
4,520,817	A	6/1985	Green	
4,633,874	A	1/1987	Chow et al.	
D297,764	S *	9/1988	Hunt et al.	D24/145
D298,967	S *	12/1988	Hunt	D24/145
5,031,814	A	7/1991	Tompkins et al.	
5,111,987	A	5/1992	Moeinzadeh et al.	
5,188,274	A	2/1993	Moeinzadeh et al.	
5,366,133	A	11/1994	Geiste	

5,415,335	A *	5/1995	Knodell, Jr.	227/180.1
5,911,353	A *	6/1999	Bolanos et al.	227/180.1
5,919,198	A *	7/1999	Graves et al.	606/139
5,941,442	A	8/1999	Geiste et al.	
7,140,527	B2 *	11/2006	Ehrenfels et al.	227/175.1
2004/0094598	A1 *	5/2004	Geiste et al.	227/180.1
2005/0189397	A1 *	9/2005	Jankowski	227/176.1
2006/0151569	A1 *	7/2006	Ehrenfels et al.	227/180.1
2007/0034669	A1 *	2/2007	de la Torre et al.	227/180.1
2007/0119901	A1 *	5/2007	Ehrenfels et al.	227/176.1
2008/0083812	A1 *	4/2008	Scirica	227/176.1

* cited by examiner

Primary Examiner—Ian Simmons

Assistant Examiner—Carissa C Fitts

(57) **CLAIM**

The ornamental design for a surgical stapler cartridge, as shown and described.

DESCRIPTION

FIG. 1 depicts an perspective view of the surgical staple cartridge design;

FIG. 2 depicts another perspective view of the surgical staple cartridge design;

FIG. 3 depicts a Front view of the design;

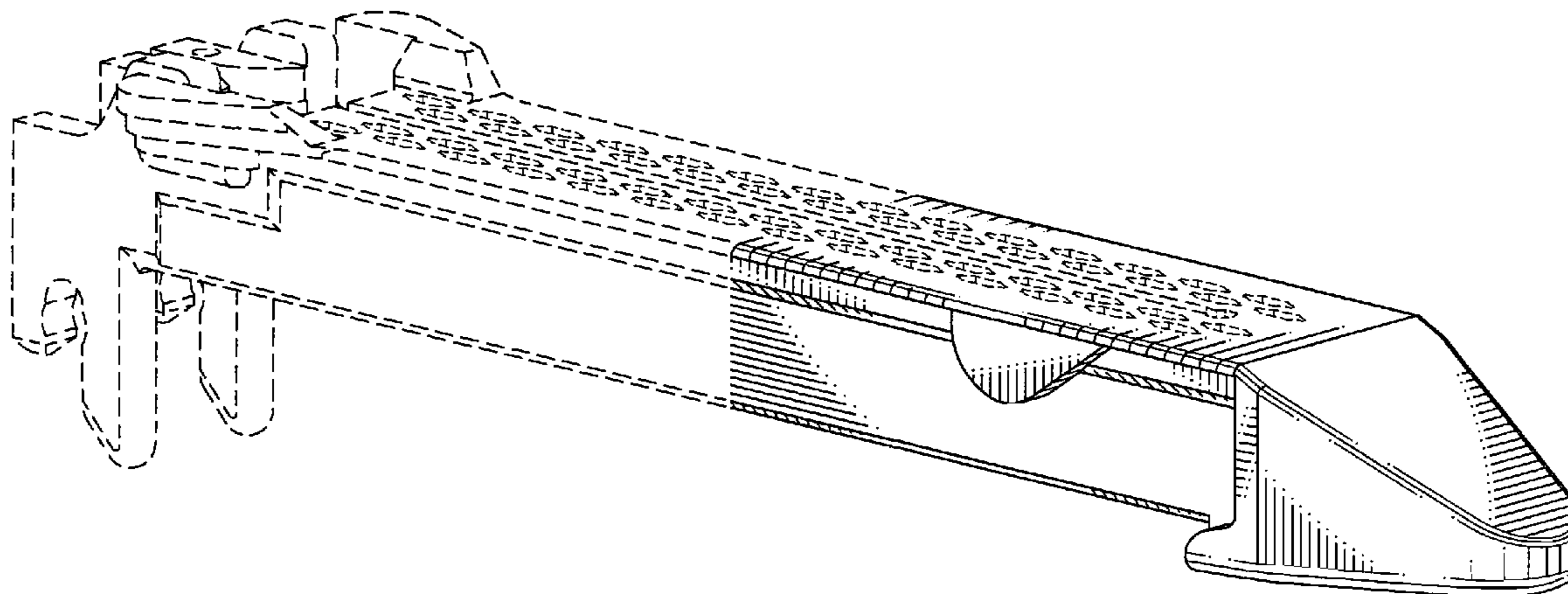
FIG. 4 depicts a Top view of the design;

FIG. 5 depicts a Bottom view of the design;

FIG. 6 depicts a Right End view of the design; and,

FIG. 7 depicts a Left End view of the design.

1 Claim, 5 Drawing Sheets



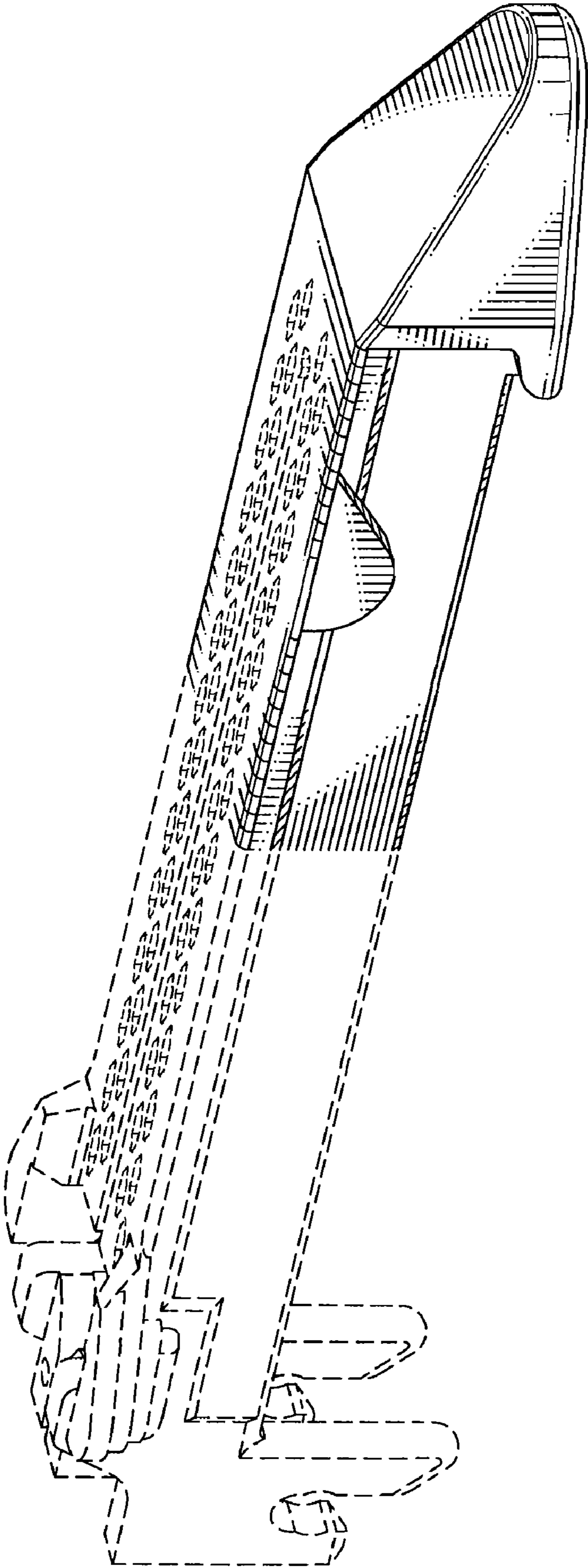


FIG. 1

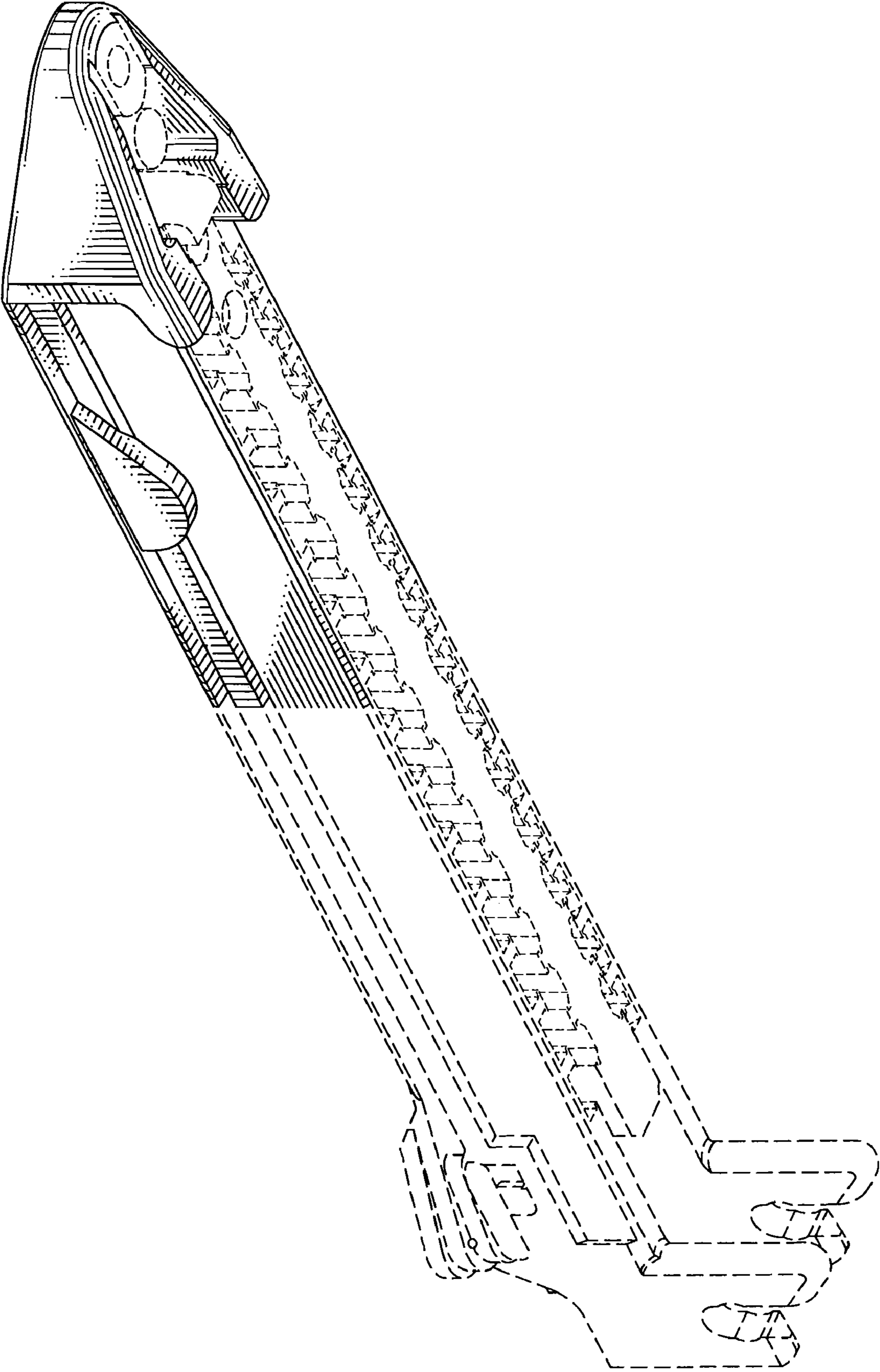


FIG. 2

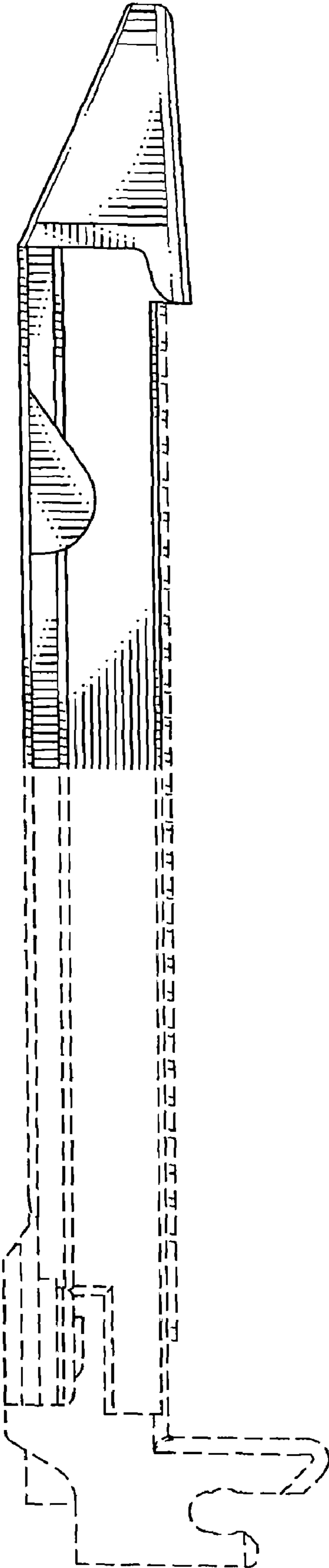


FIG. 3

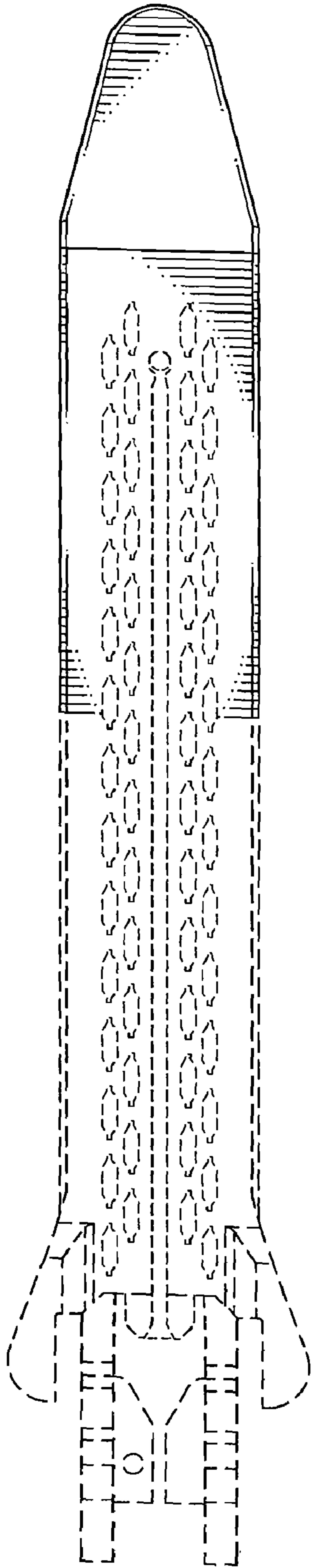


FIG. 4

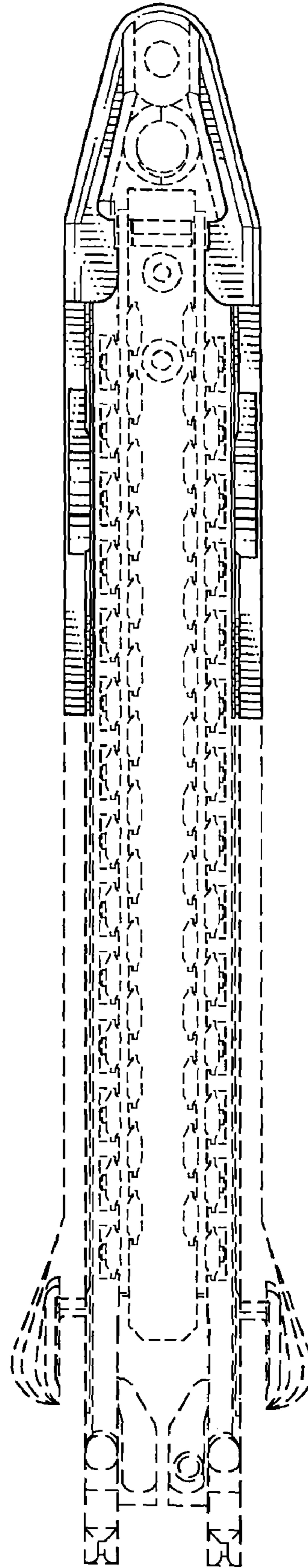


FIG. 5

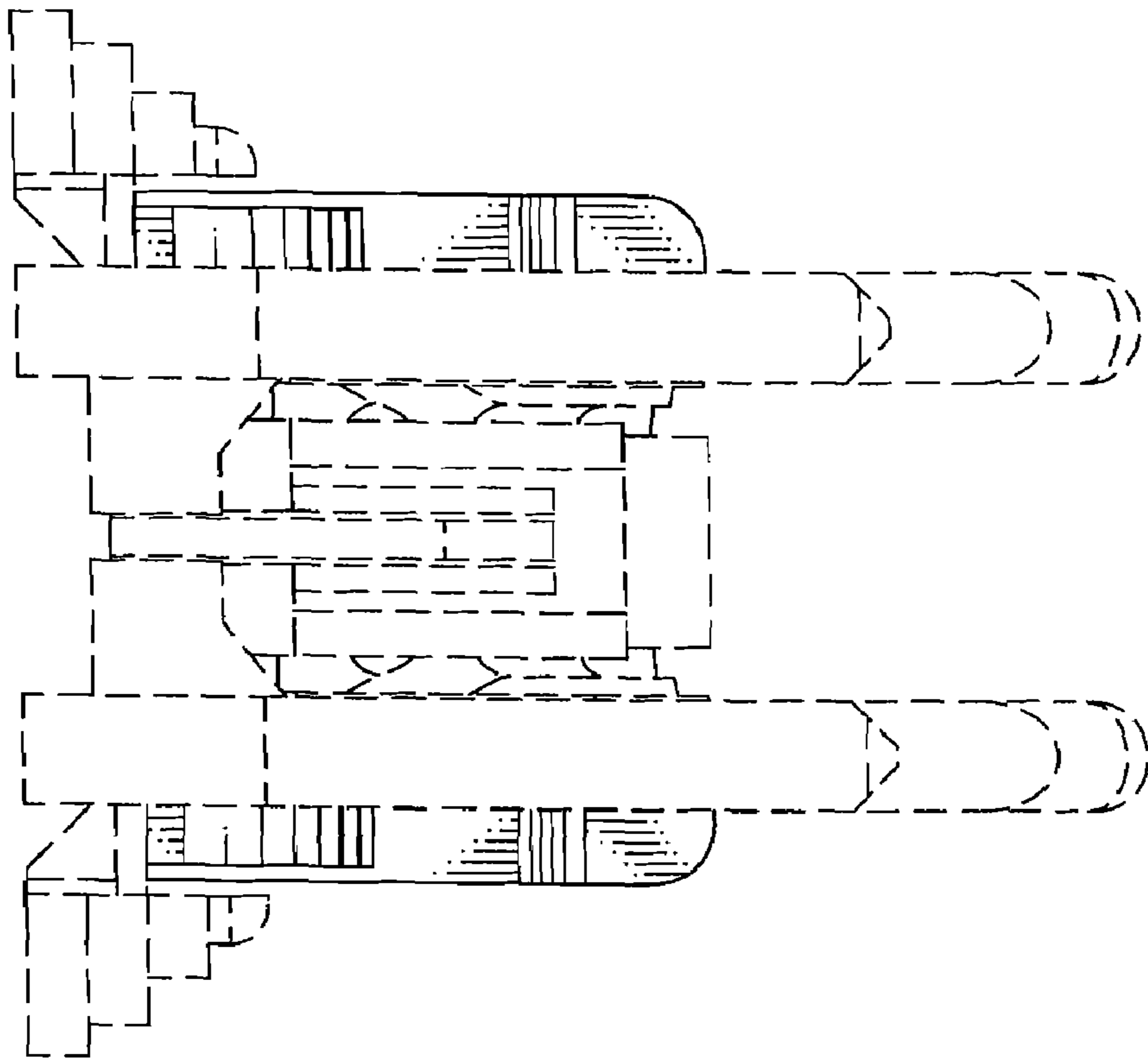


FIG. 7

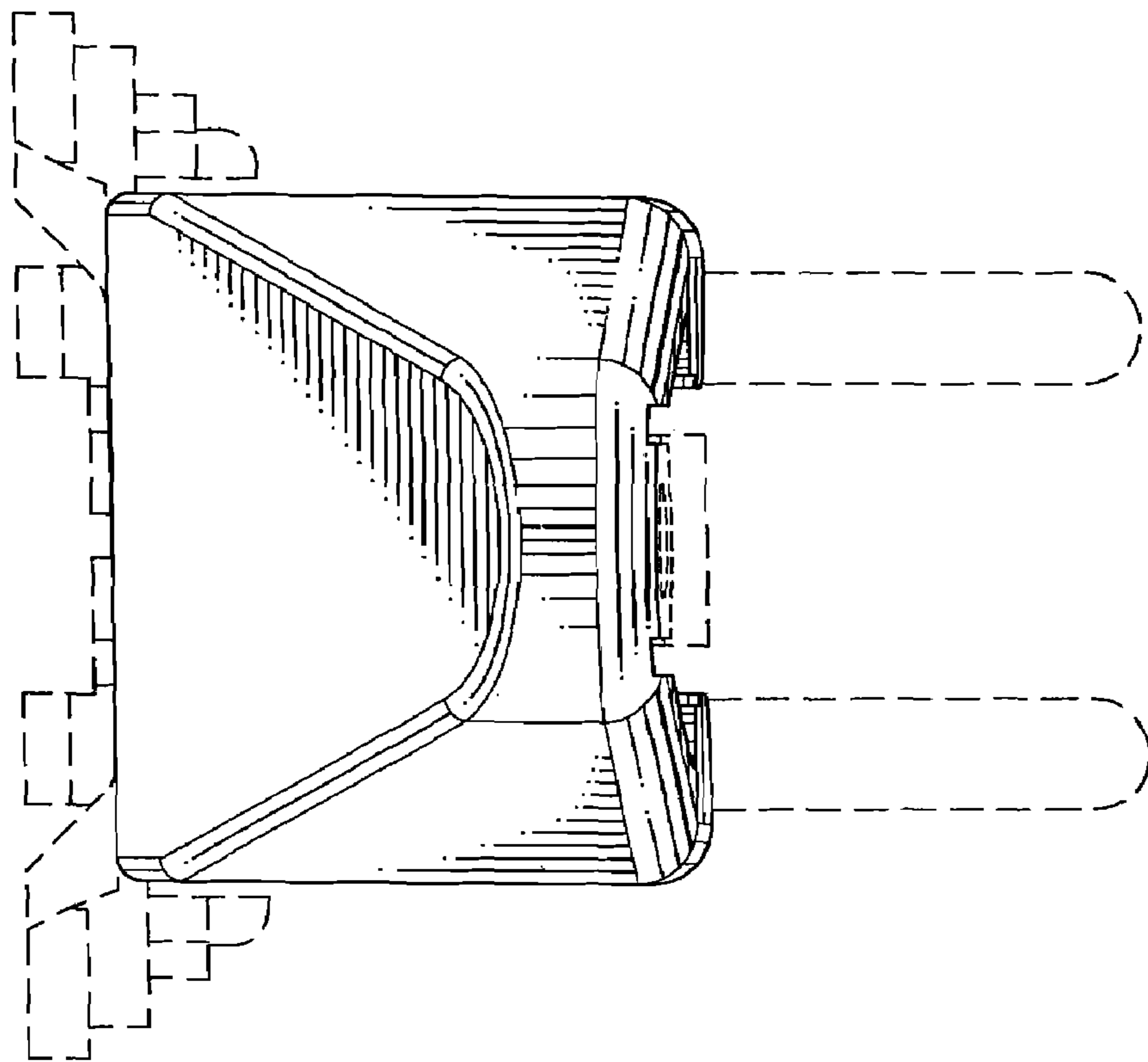


FIG. 6