



US00D605757S

(12) **United States Design Patent**  
**Sawyer**

(10) **Patent No.:** **US D605,757 S**

(45) **Date of Patent:** **\*\* Dec. 8, 2009**

(54) **INJECTION DEVICE**

(75) Inventor: **Robert William Sawyer**, Southampton  
Hampshire (GB)

(73) Assignee: **Tissue Science Laboratories PLC**,  
Hampshire (GB)

(\*\*) Term: **14 Years**

(21) Appl. No.: **29/256,720**

(22) Filed: **Mar. 24, 2006**

(51) **LOC (9) Cl.** ..... **24-02**

(52) **U.S. Cl.** ..... **D24/130**

(58) **Field of Classification Search** ..... D8/16,  
D8/19, 354, 363; D24/110, 112, 128–130,  
D24/189; 604/174, 192; 623/9  
See application file for complete search history.

(56) **References Cited**

**U.S. PATENT DOCUMENTS**

- D32,876 S \* 6/1900 Ward ..... D8/19
- D228,288 S \* 9/1973 Nastus ..... D24/110
- D270,944 S \* 10/1983 Hostetler ..... D24/130
- 4,717,386 A \* 1/1988 Simmons ..... 604/192
- D322,317 S \* 12/1991 Fischer ..... D24/130
- D325,866 S \* 5/1992 Gary ..... D8/354
- D336,516 S \* 6/1993 Nilsson ..... D24/130
- D416,178 S \* 11/1999 Moore et al. .... D8/16
- 6,364,858 B1 \* 4/2002 Picha ..... 604/174
- D457,418 S \* 5/2002 Ferrer Beltrán ..... D8/363
- 2005/0033240 A1 \* 2/2005 Oishi et al. .... 604/174

2005/0256573 A1\* 11/2005 Seder et al. .... 623/9

\* cited by examiner

*Primary Examiner*—T. Chase Nelson

*Assistant Examiner*—Eric L Goodman

(74) *Attorney, Agent, or Firm*—Hogan & Hartson, LLP

(57) **CLAIM**

I claim the ornamental design for an injection device, as shown and described.

**DESCRIPTION**

FIG. 1 is a front view of the injection device;

FIG. 2 is a first side view of the injection device;

FIG. 3 is a top view of the injection device;

FIG. 4 is a bottom of the injection device;

FIG. 5 is a back view of the injection device;

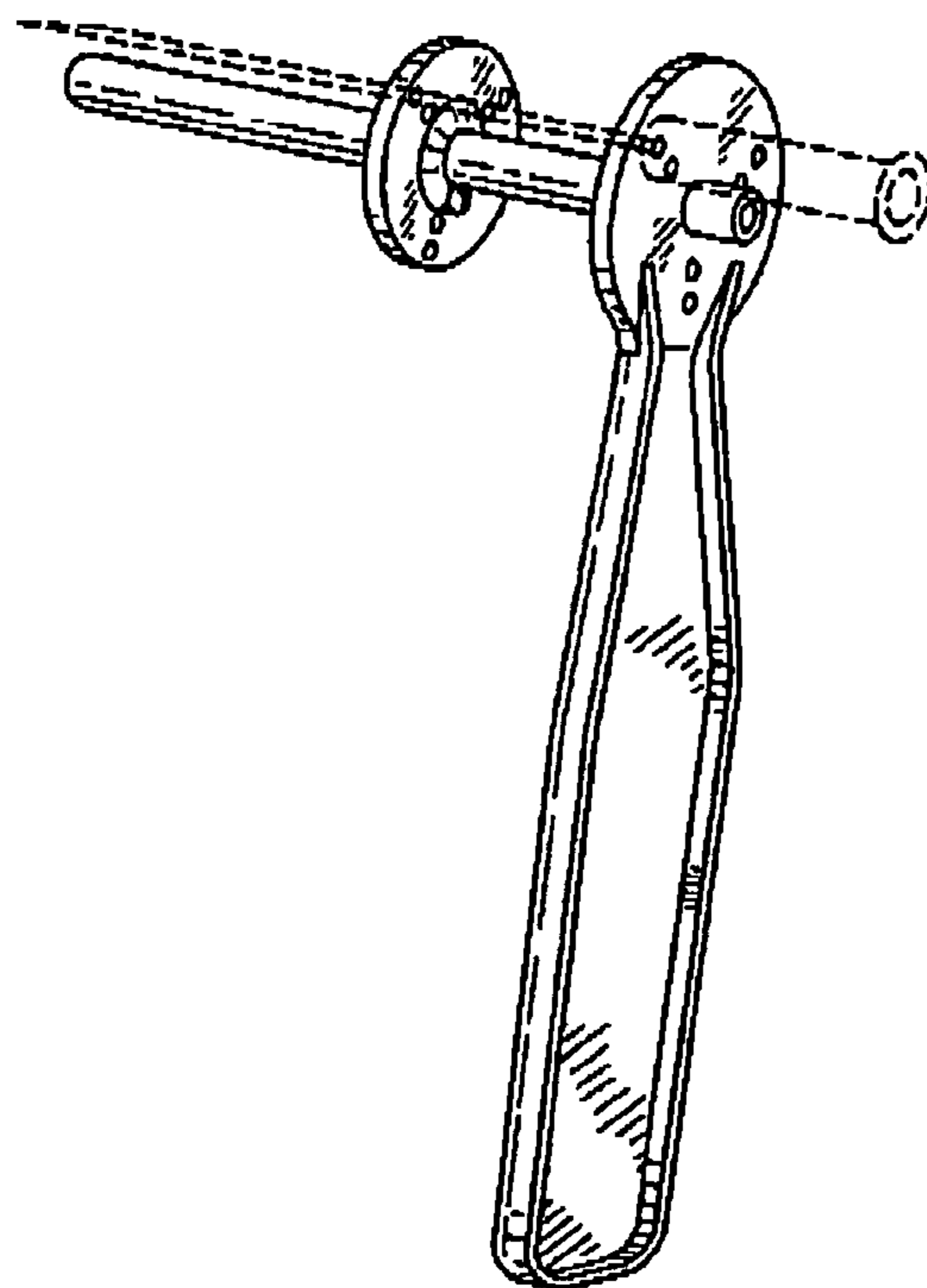
FIG. 6 is a second side view of the injection device;

FIG. 7 is a perspective view of the injection device with a needle attached with the collar part of the device shown in a second position; and,

FIG. 8 is a perspective view of the injection device with the collar part of the device shown in the second position.

The broken line showing of the needle in FIG. 7 is included for the purpose of illustrating environmental structure and forms no part of the claimed design. The broken line showing of the spaces around the detent in FIG. 1 is included for the purpose of illustrating portions of the article that form no part of the claimed design.

**1 Claim, 2 Drawing Sheets**



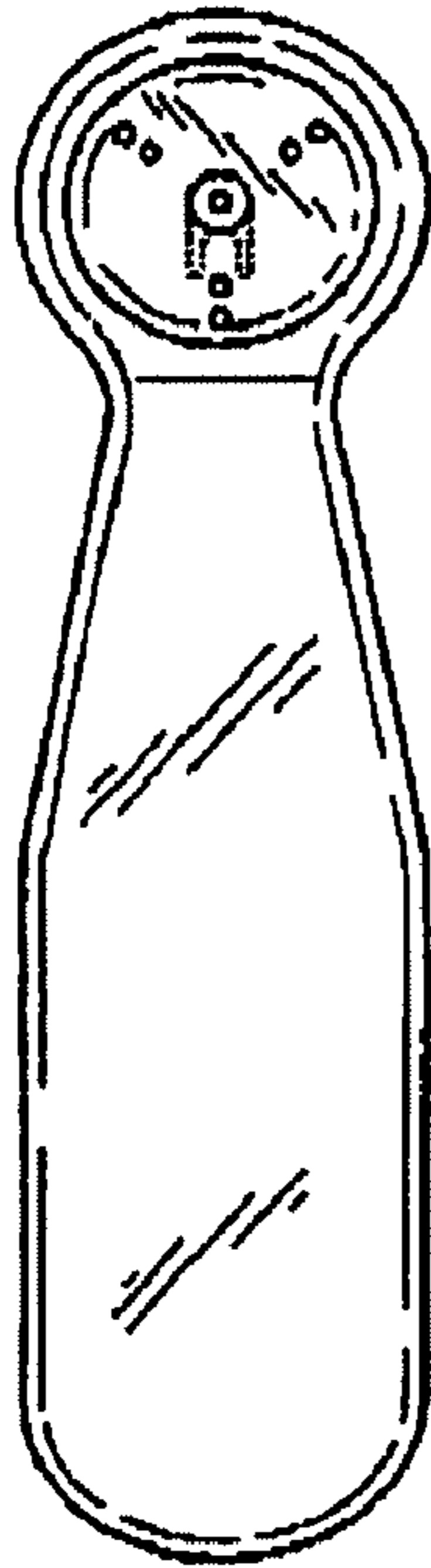


Fig. 1

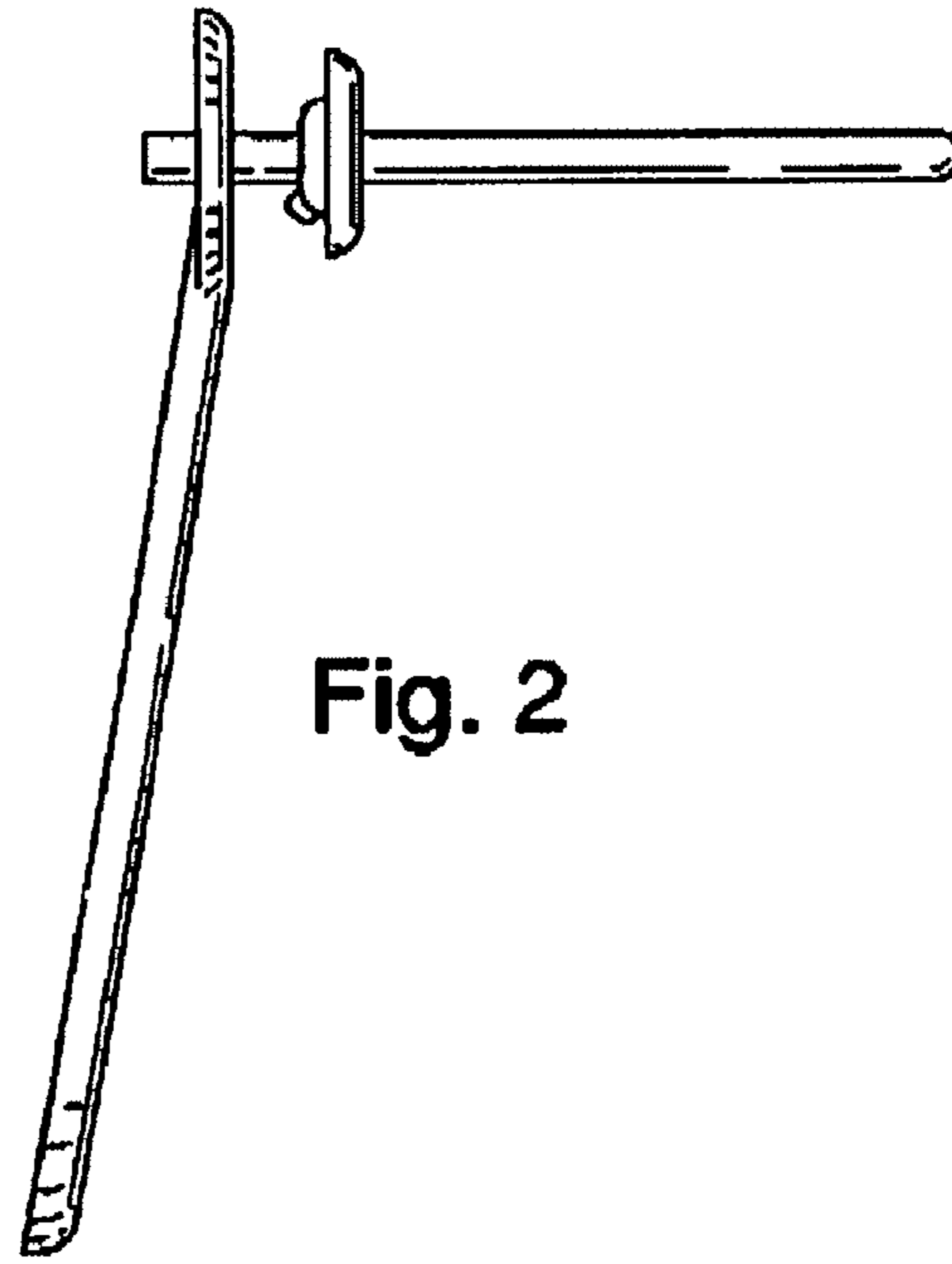


Fig. 2

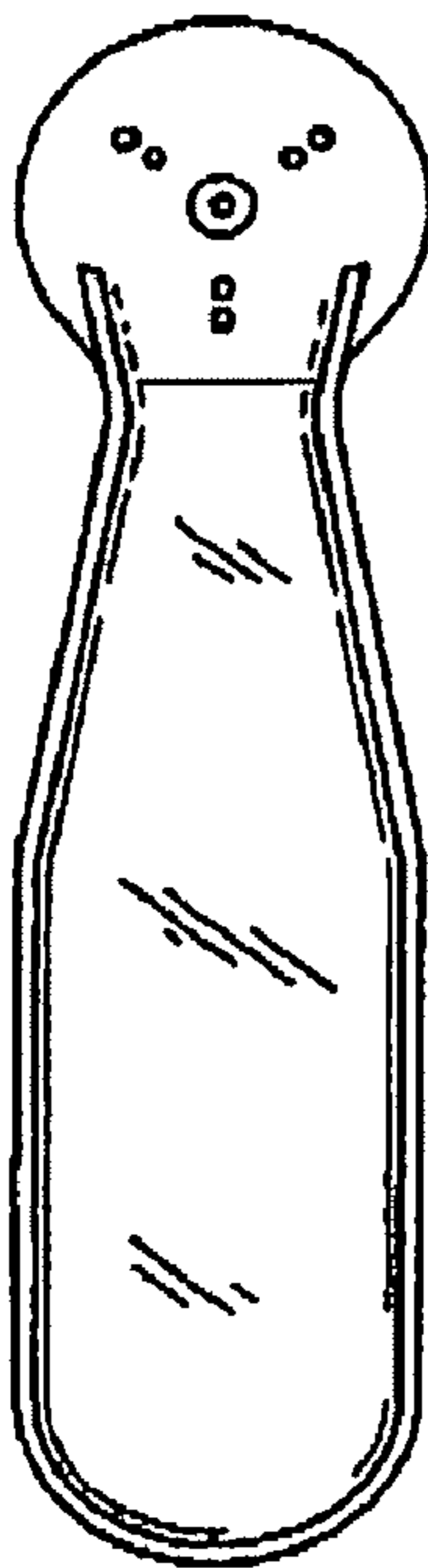


Fig. 5

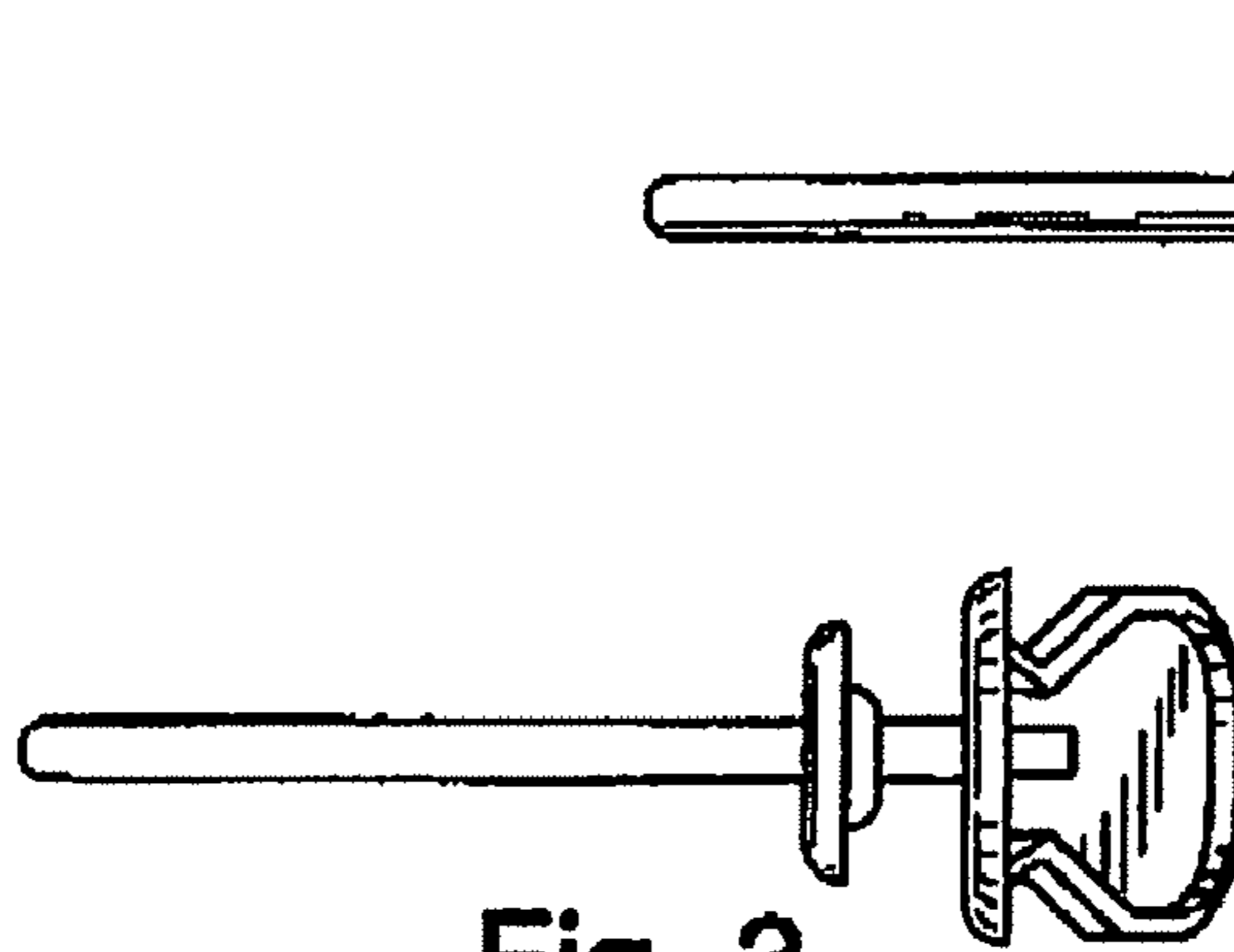


Fig. 3

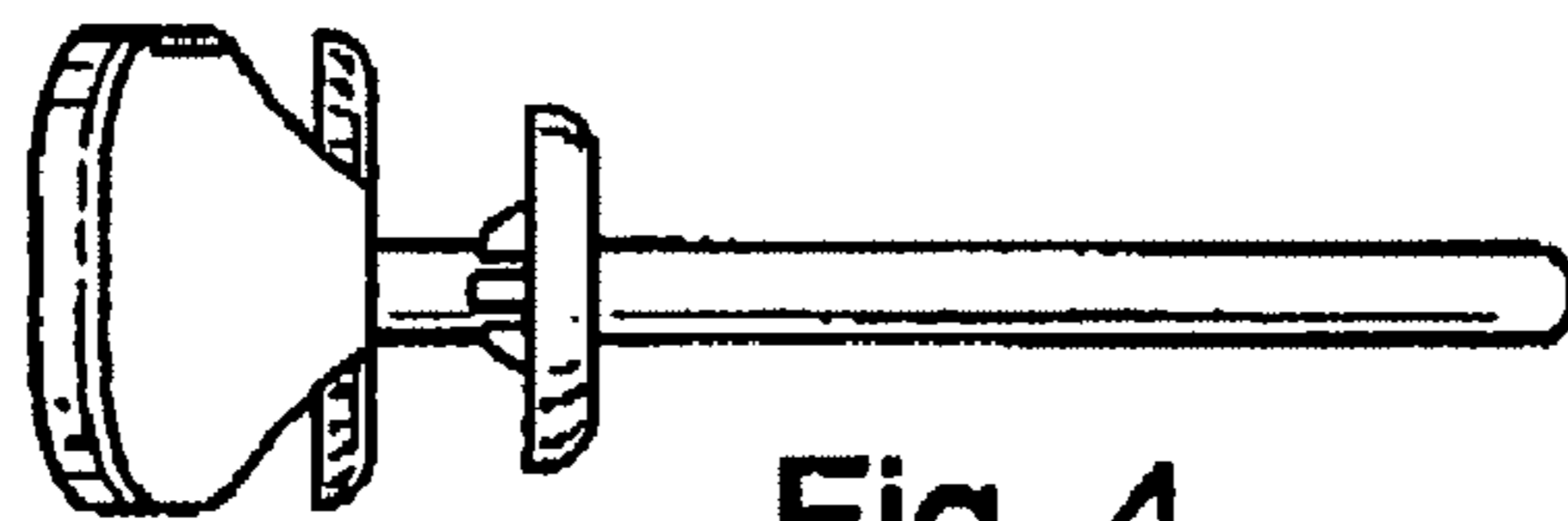


Fig. 4

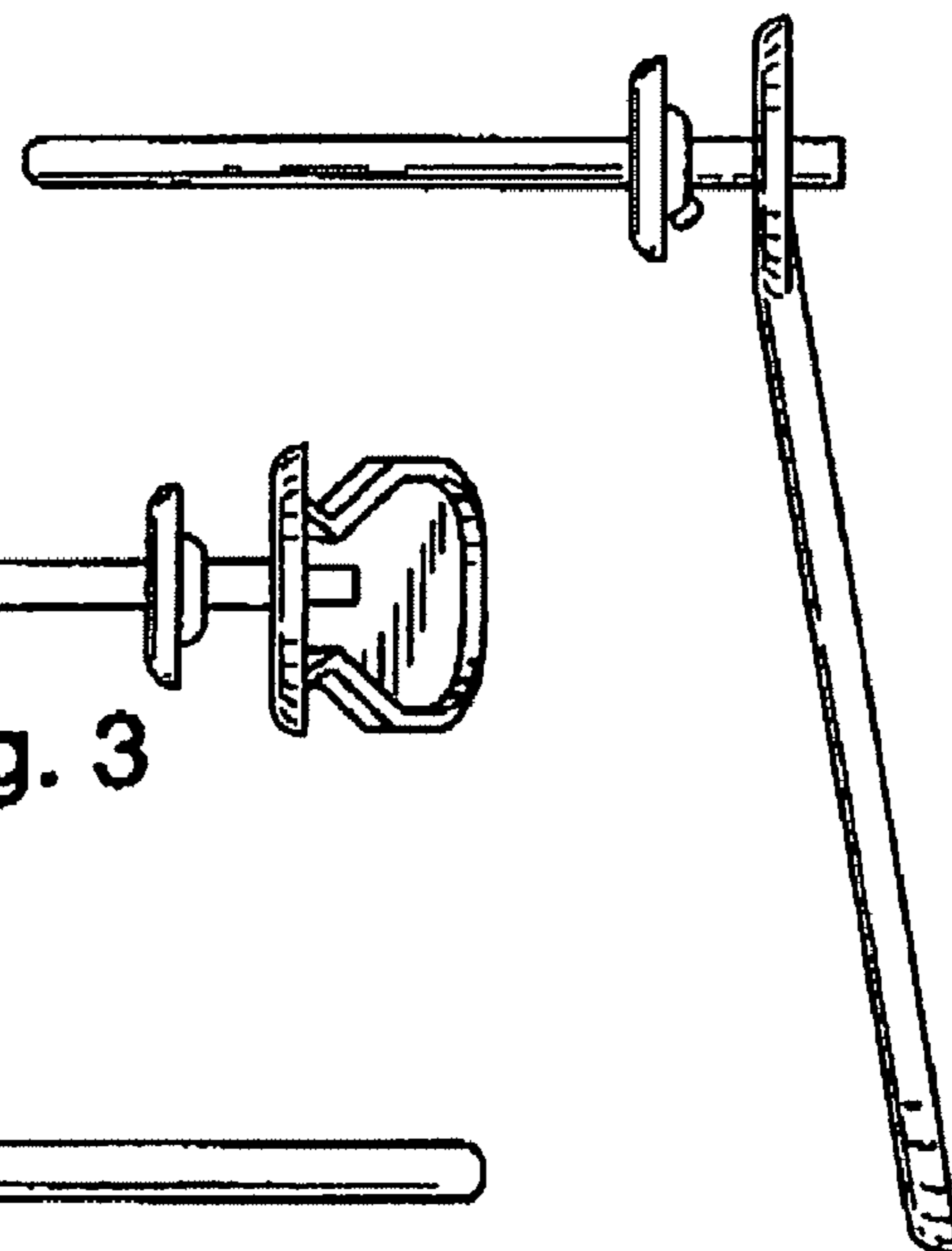


Fig. 6

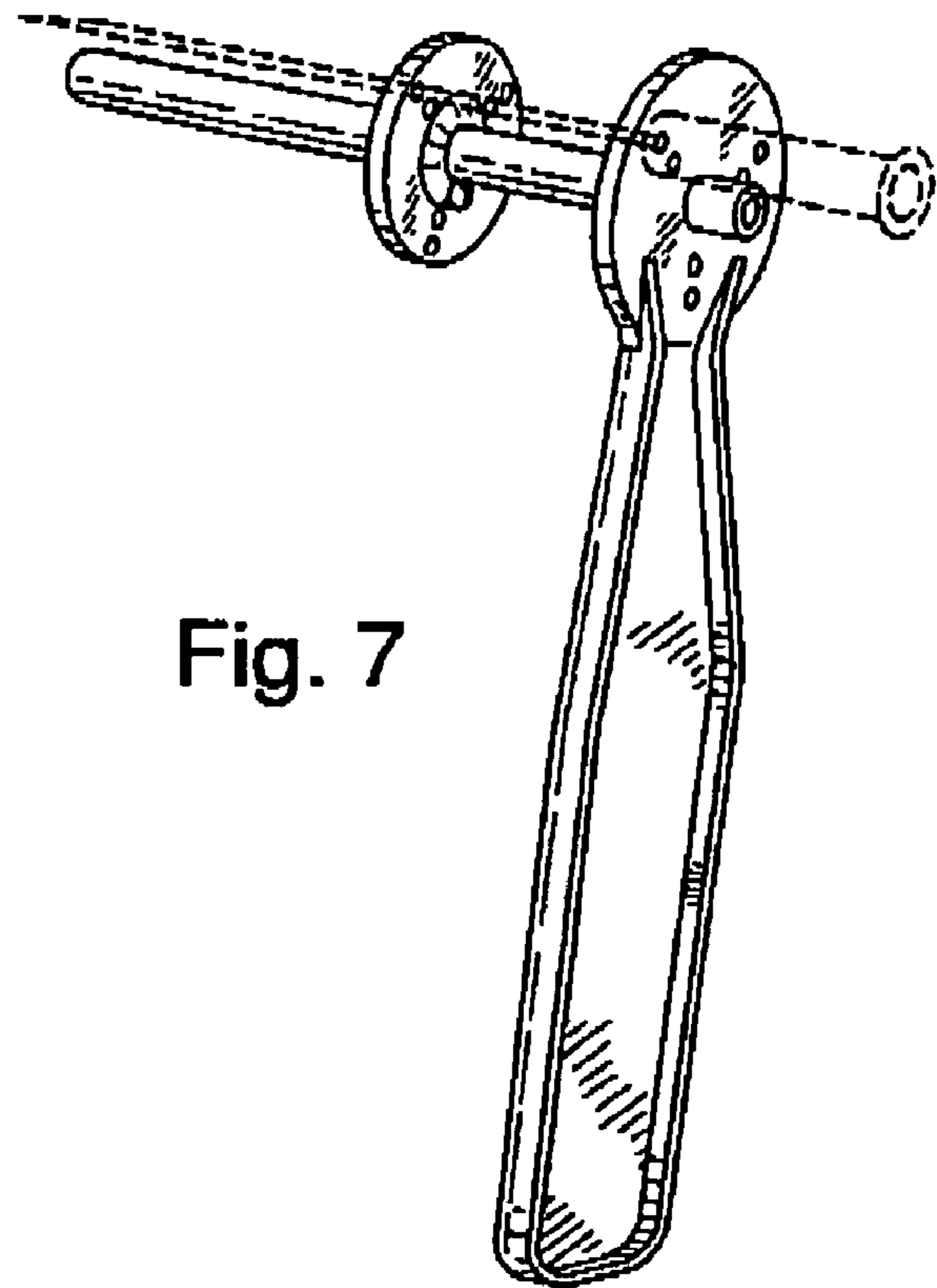


Fig. 7

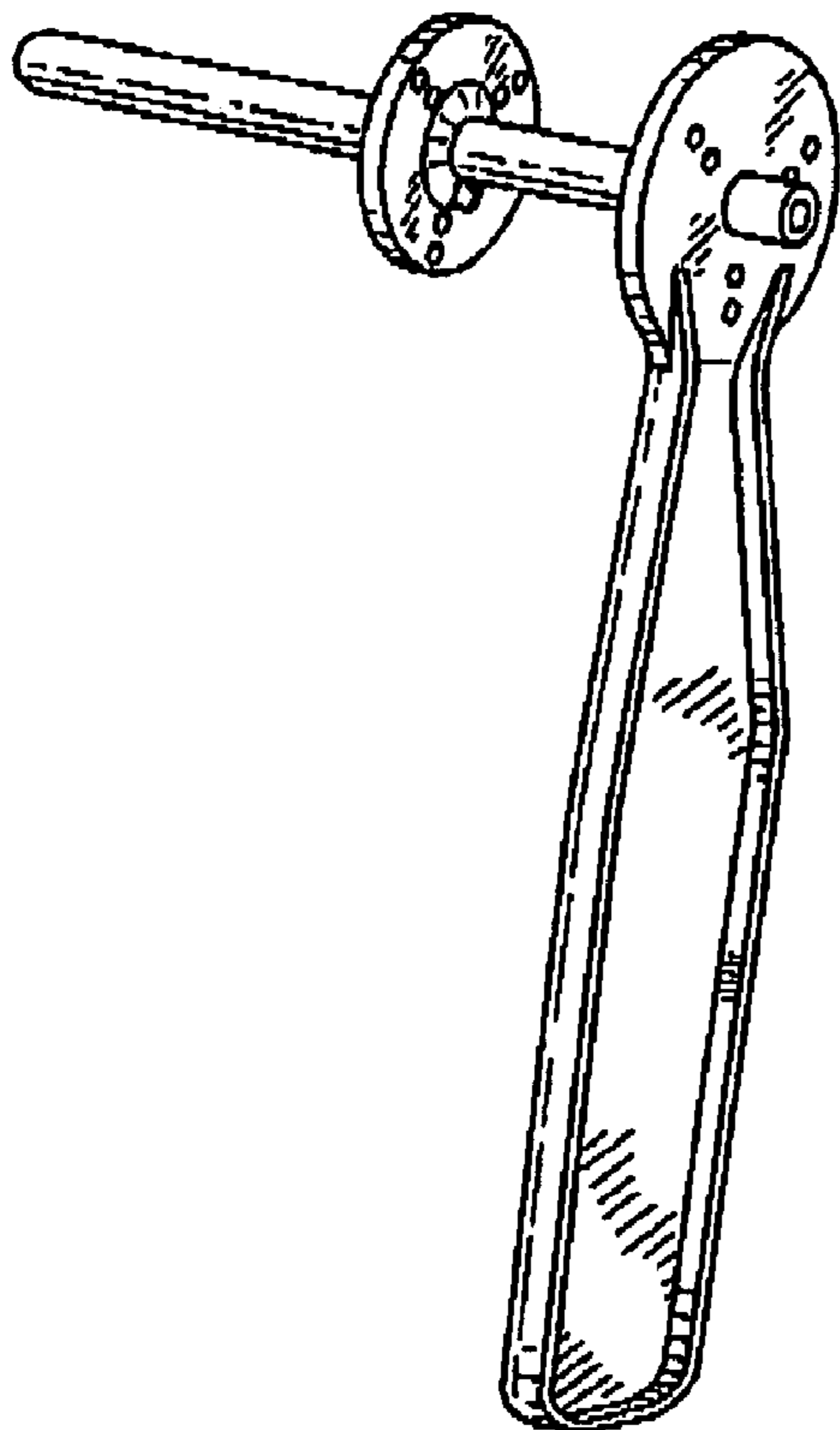


Fig. 8