



US00D605756S

(12) **United States Design Patent**  
**Savage et al.**

(10) **Patent No.:** **US D605,756 S**

(45) **Date of Patent:** **\*\* \*Dec. 8, 2009**

(54) **HANGER FOR A FLUID COLLECTION CONTAINER**

6,641,093 B2 \* 11/2003 Coudrais ..... 248/73  
D600,344 S \* 9/2009 Burgess et al. .... D24/128  
2009/0101611 A1 \* 4/2009 Lin et al. .... 211/113

(75) Inventors: **Alberto C. Savage**, Buffalo Grove, IL (US); **Earl D. Wilson**, Ingleside, IL (US); **Jennifer E. Tomes**, Libertyville, IL (US)

**OTHER PUBLICATIONS**

Medline Industries, Inc., "Silvertouch Foley Catheter and Associated Bag", *Medline Product Catalog*, 2006.

(73) Assignee: **Medline Industries, Inc.**, Mundelein, IL (US)

\* cited by examiner

(\*\*) Term: **14 Years**

*Primary Examiner*—T. Chase Nelson  
*Assistant Examiner*—Eric L Goodman

(21) Appl. No.: **29/327,506**

(74) *Attorney, Agent, or Firm*—Philip H. Burrus, IV

(22) Filed: **Nov. 7, 2008**

(57) **CLAIM**

(51) **LOC (9) Cl.** ..... **24-02**

The ornamental design for a hanger for a fluid collection container, as shown and described.

(52) **U.S. Cl.** ..... **D24/128**

**DESCRIPTION**

(58) **Field of Classification Search** ..... D6/413, D6/415, 411, 417, 405, 403, 462; D24/128; 211/71, 113; 248/320–321, 327, 328, 318, 248/74.4, 316.2, 316.4, 205.2, 68.1; 604/174, 604/177–180; 128/DIG. 26

FIG. 1 is a perspective view of an ornamental design of a fluid collection container hanger.

See application file for complete search history.

FIG. 2 is a front view thereof.

FIG. 3 is a rear view thereof.

FIG. 4 is a first side view thereof.

FIG. 5 is a second side view thereof.

FIG. 6 is a top view of thereof; and,

FIG. 7 is a bottom view thereof.

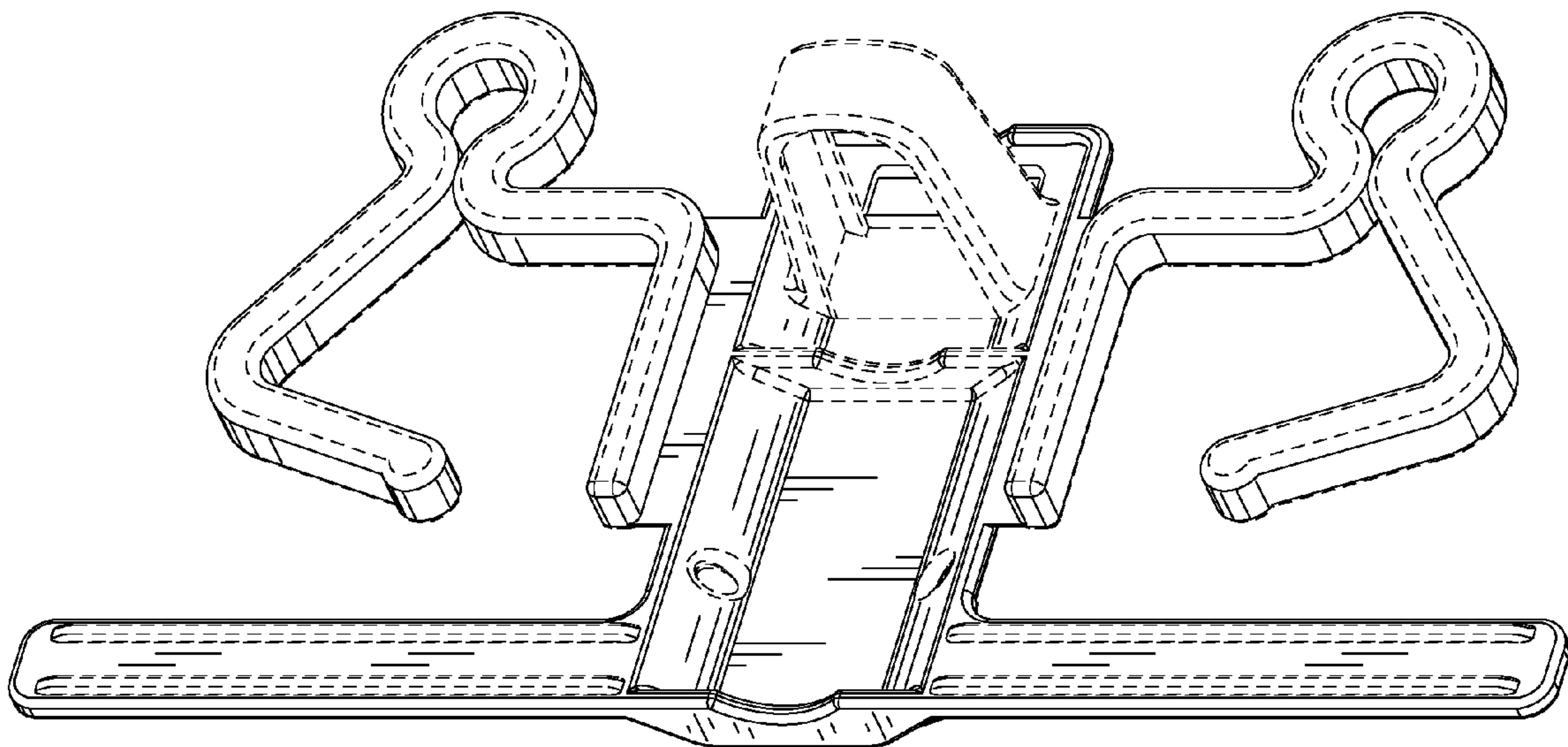
The broken lines in FIGS. 1–7 are included for the purpose of illustrating environmental elements only and form no part of the claimed design.

(56) **References Cited**

**U.S. PATENT DOCUMENTS**

2,253,444 A \* 8/1941 Muller ..... 248/75  
D194,965 S \* 4/1963 Guss ..... D24/128  
3,592,343 A \* 7/1971 Swett et al. .... 211/123  
D298,460 S \* 11/1988 Pryor ..... D24/128  
5,779,198 A \* 7/1998 Rutherford et al. .... 248/58  
6,170,679 B1 \* 1/2001 Frye et al. .... 211/113

**1 Claim, 5 Drawing Sheets**



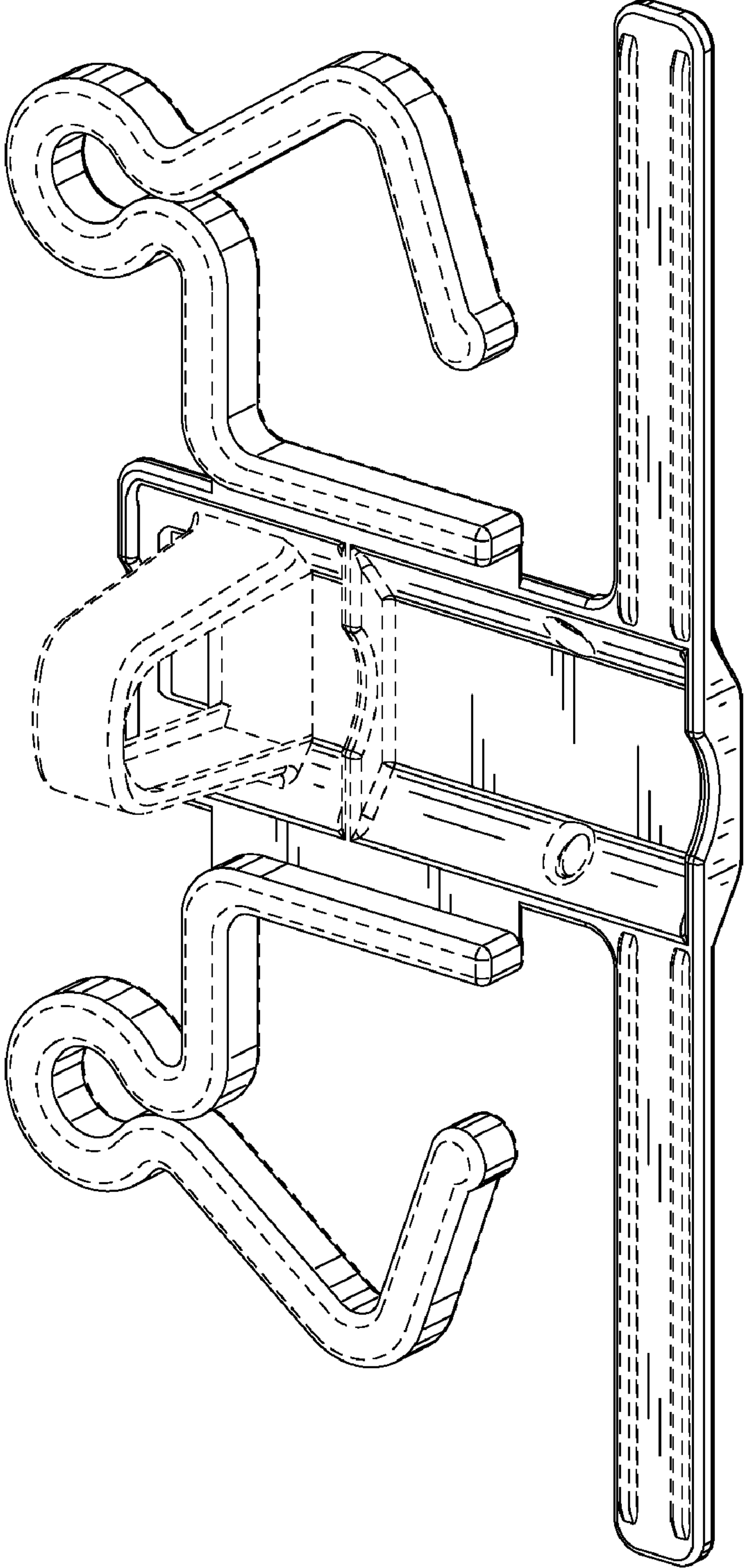


FIG. 1

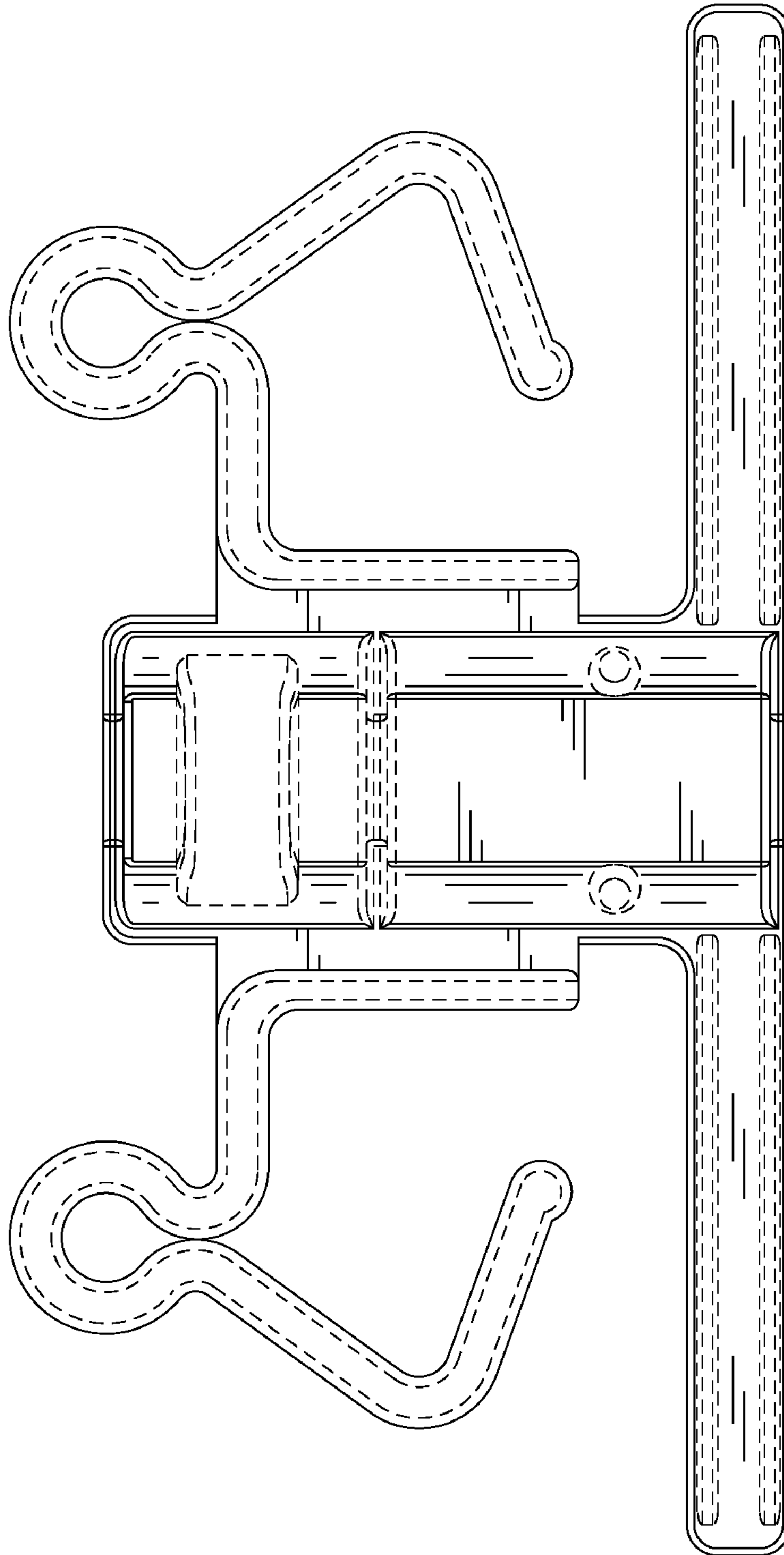


FIG. 2

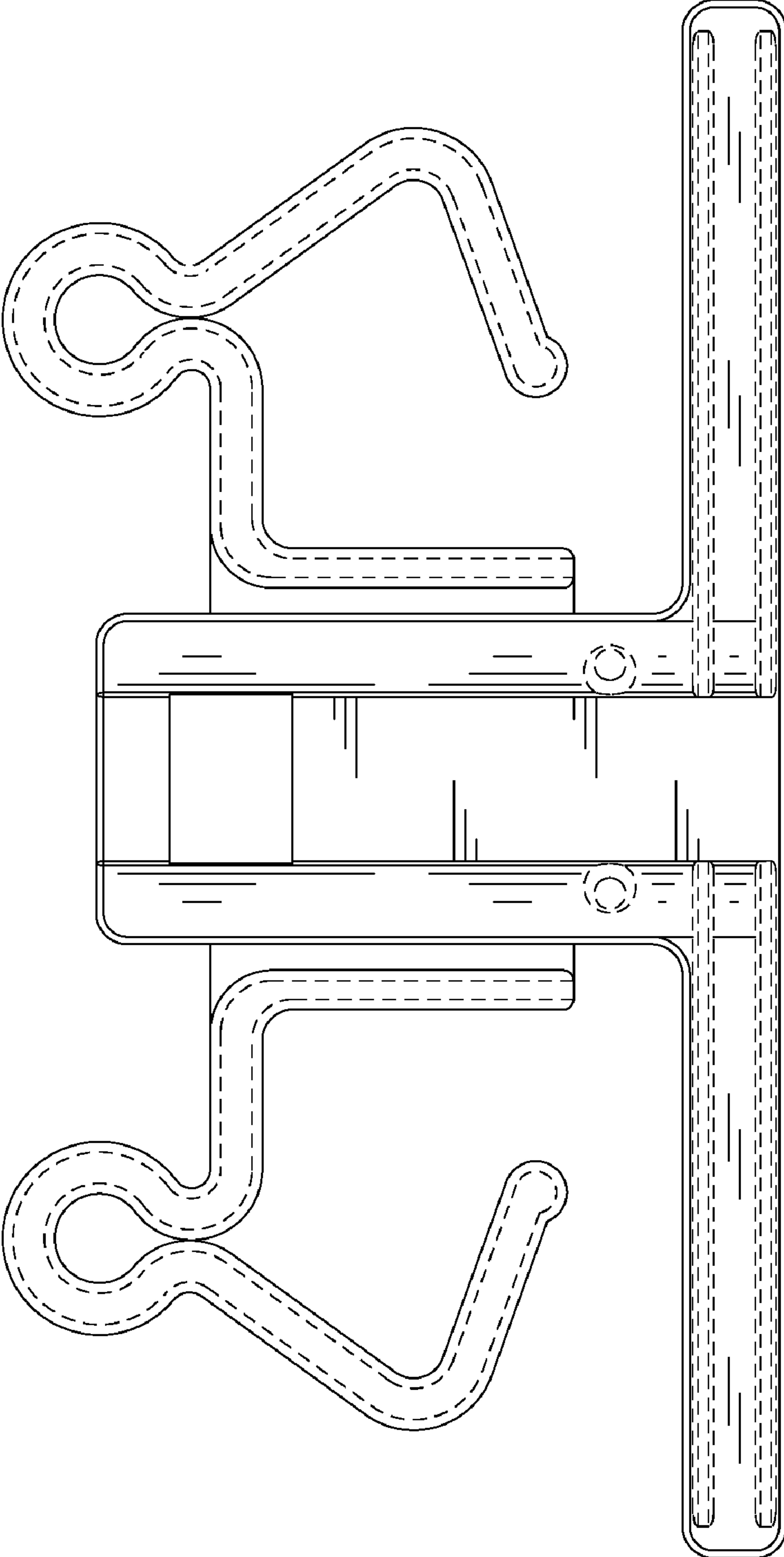


FIG. 3

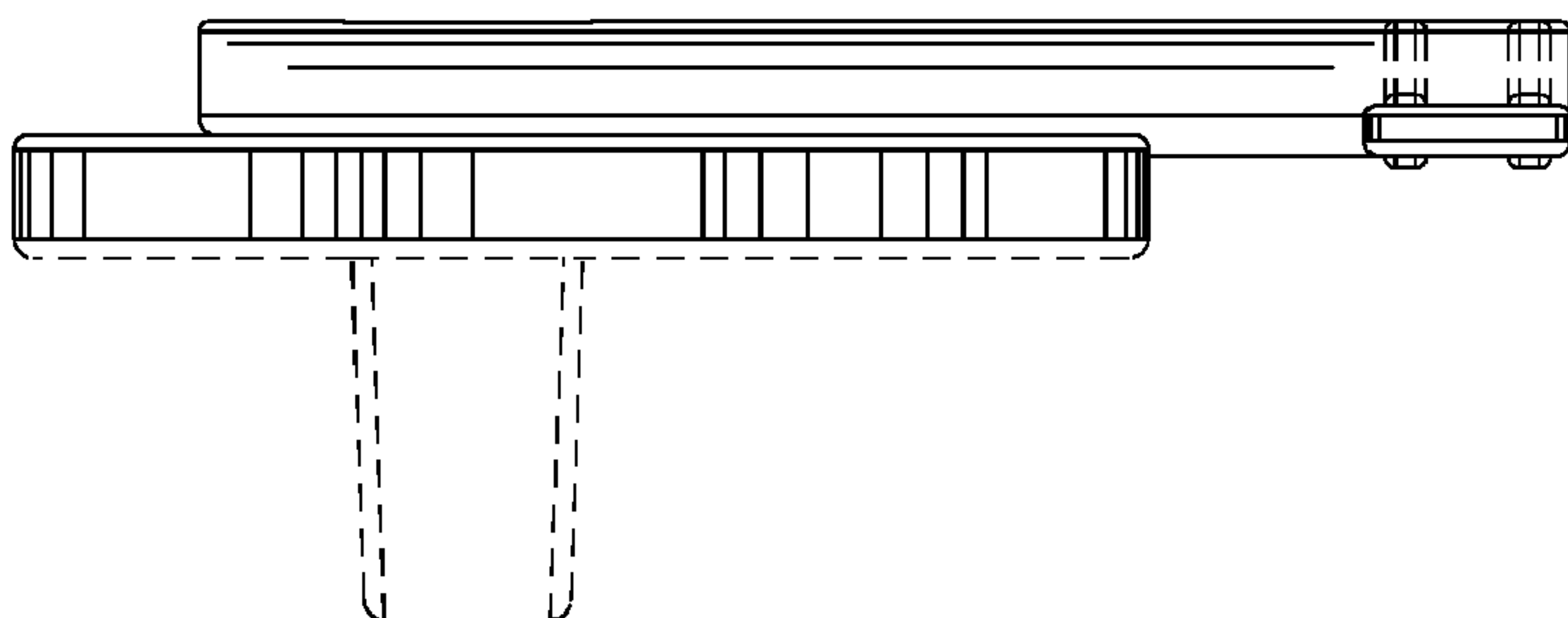


FIG. 5

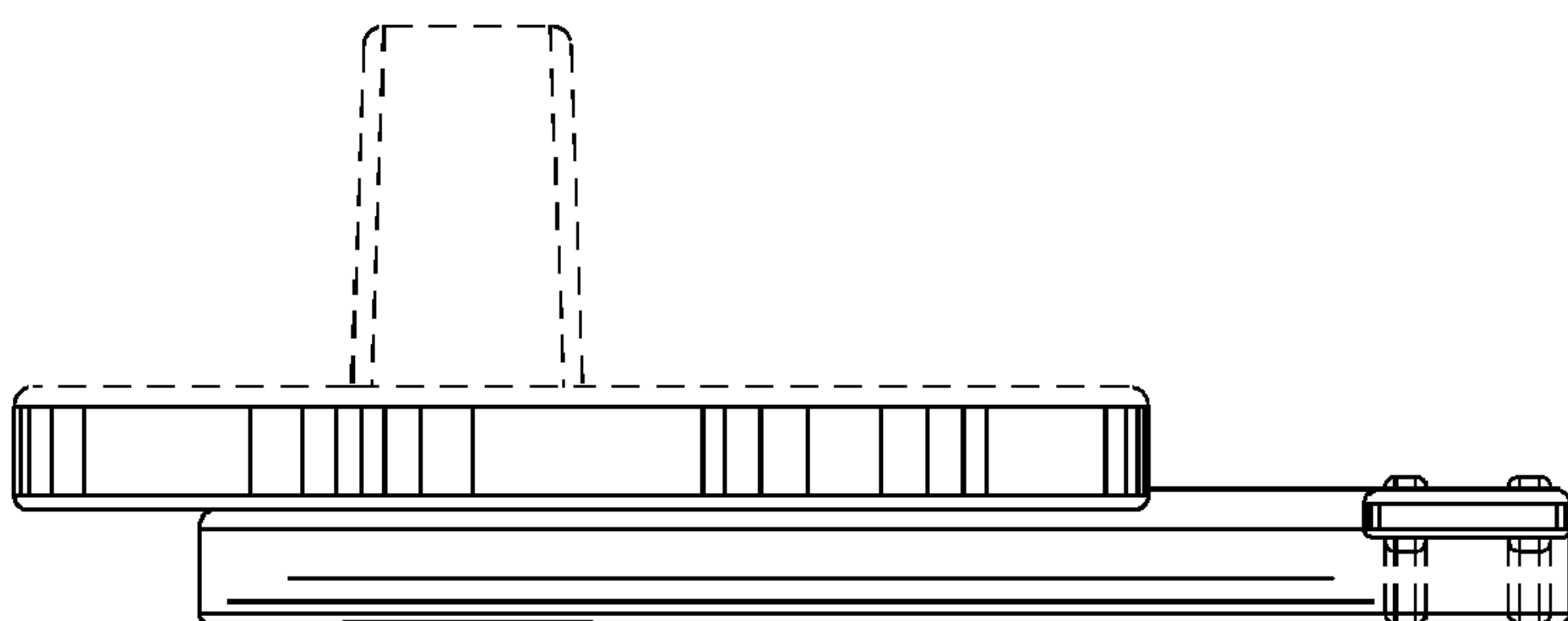


FIG. 4

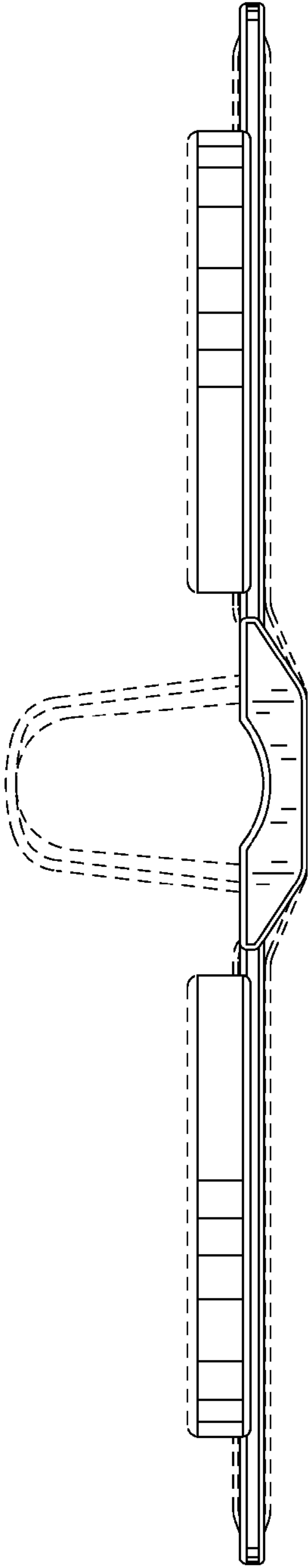


FIG. 6

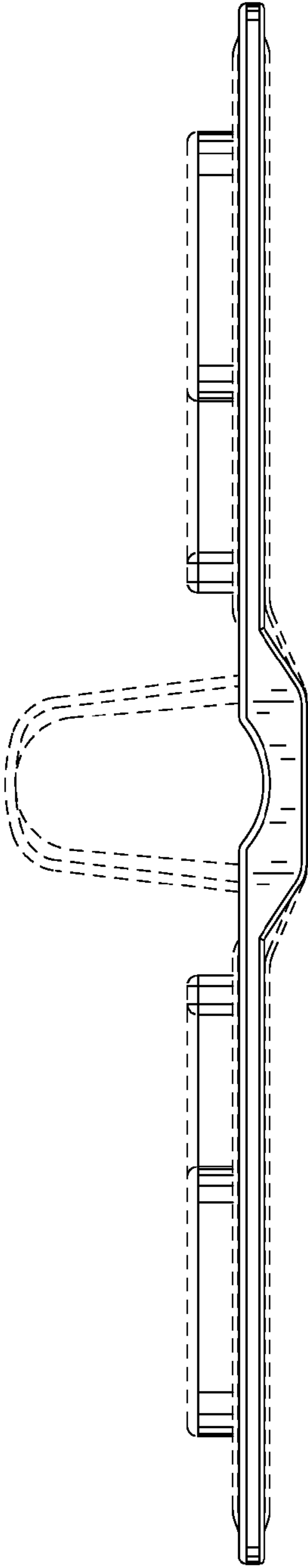


FIG. 7