



US00D605755S

(12) **United States Design Patent**  
**Baxter et al.**

(10) **Patent No.:** **US D605,755 S**  
(45) **Date of Patent:** **\*\* Dec. 8, 2009**

(54) **OVAL TAPERING BLUNT CANNULA PROXIMAL PORTION**

4,904,238 A 2/1990 Williams  
4,983,160 A 1/1991 Steppe et al.  
5,071,413 A 12/1991 Utterberg  
5,098,407 A 3/1992 Okamura  
5,100,394 A 3/1992 Dudar et al.  
5,112,318 A 5/1992 Novacek et al.  
5,114,400 A 5/1992 Lynn

(75) Inventors: **Charles S. Baxter**, Worthington, OH (US); **Dale Marvin Gallogly**, Mount Vernon, OH (US); **Theodore J. Mosler**, Raleigh, NC (US); **Charles R. Patzer**, Columbus, OH (US)

(Continued)

(73) Assignee: **Smiths Medical ASD, Inc.**, Rockland, MA (US)

**FOREIGN PATENT DOCUMENTS**

EP 0050459 B1 2/1985

(\*\*) Term: **14 Years**

(Continued)

(21) Appl. No.: **29/303,397**

*Primary Examiner*—T. Chase Nelson  
*Assistant Examiner*—Eric L Goodman

(22) Filed: **Feb. 7, 2008**

(74) *Attorney, Agent, or Firm*—Wood, Herron & Evans, LLP

**Related U.S. Application Data**

(57) **CLAIM**

(62) Division of application No. 29/278,291, filed on Mar. 23, 2007, now Pat. No. Des. 571,006.

The ornamental design for an oval tapering blunt cannula proximal portion, as shown and described.

(51) **LOC (9) Cl.** ..... **24-02**

**DESCRIPTION**

(52) **U.S. Cl.** ..... **D24/127**

FIG. 1 is an upper perspective view our new, original and ornamental design;

(58) **Field of Classification Search** ..... D24/112,

FIG. 2 is a lower perspective view thereof;

D24/130, 146, 147; 606/167, 170, 184, 185;

FIG. 3 is a front elevational view thereof, the rear elevational view being a mirror image thereof;

604/251, 264, 256, 168, 192, 198, 203, 411

FIG. 4 is a right side elevational view thereof, the left side elevational view being a mirror image thereof;

See application file for complete search history.

FIG. 5 is a top plan view thereof; and,

(56) **References Cited**

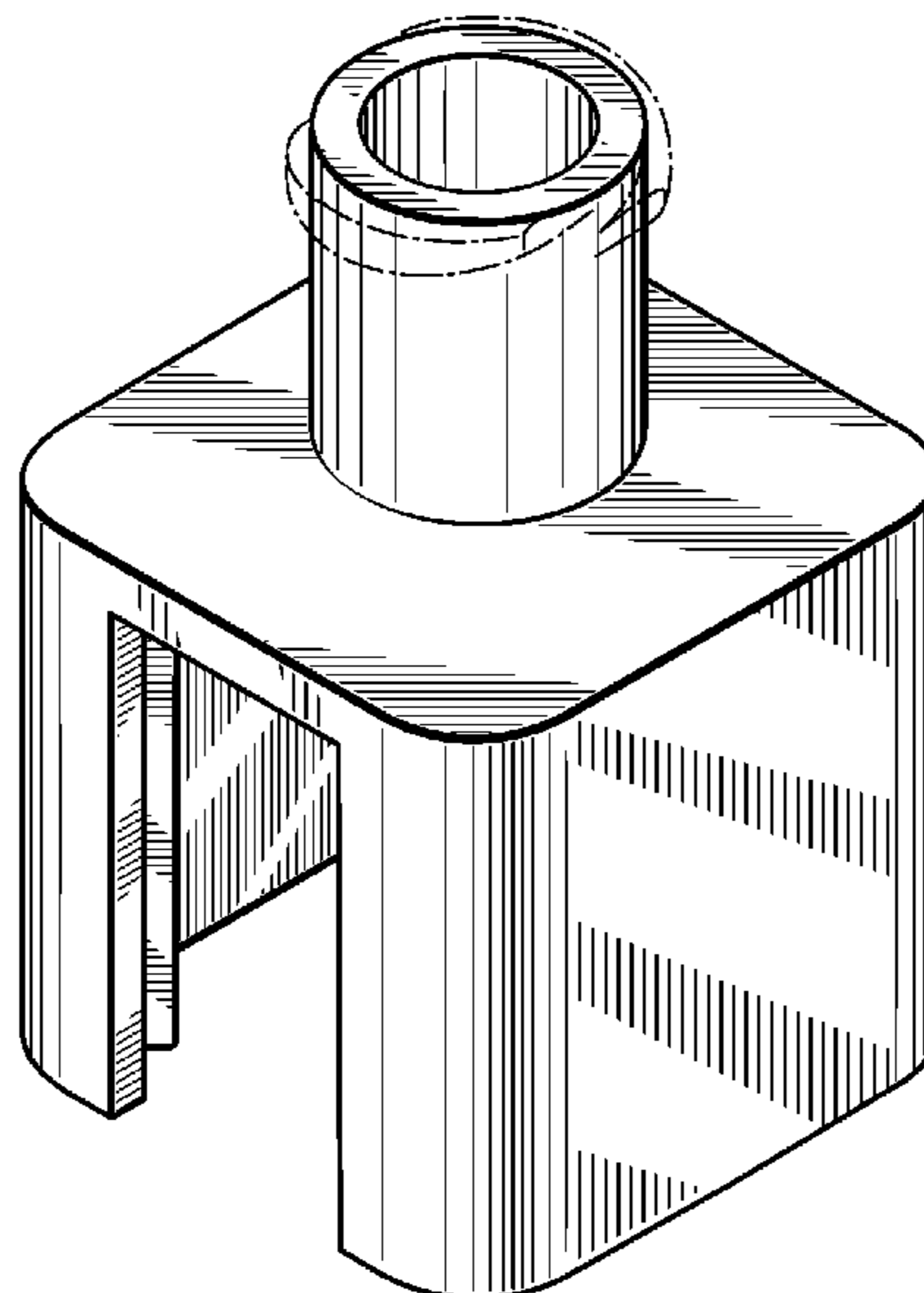
**U.S. PATENT DOCUMENTS**

FIG. 6 is a bottom plan view thereof.

The structure shown in phantom is for illustrative purposes only and forms no part of the claimed design. The portions of the design shown in dashed lines form no part of the claimed design.

2,989,053 A 6/1961 Hamilton  
3,352,531 A 11/1967 Kilmarx  
4,058,121 A 11/1977 Choksi et al.  
4,106,491 A 8/1978 Guerra  
4,578,063 A 3/1986 Inman et al.  
4,610,374 A 9/1986 Buehler  
4,710,180 A 12/1987 Johnson  
4,795,446 A 1/1989 Fecht  
4,834,716 A 5/1989 Ogle, II

**1 Claim, 3 Drawing Sheets**



# US D605,755 S

Page 2

## U.S. PATENT DOCUMENTS

5,135,489 A 8/1992 Jepson et al.  
5,149,327 A 9/1992 Oshiyama  
5,199,948 A 4/1993 McPhee  
5,201,717 A 4/1993 Wyatt et al.  
5,356,396 A 10/1994 Wyatt et al.  
5,447,495 A 9/1995 Lynn et al.  
5,453,089 A 9/1995 Brugger  
5,466,219 A 11/1995 Lynn et al.  
5,474,546 A 12/1995 Ambrisco et al.  
5,501,676 A 3/1996 Niedospial et al.  
5,632,735 A 5/1997 Wyatt et al.  
D393,722 S 4/1998 Fangrow et al.  
5,776,125 A 7/1998 Dudar et al.  
5,833,674 A 11/1998 Turnbull et al.  
5,947,954 A 9/1999 Bonaldo  
D416,086 S 11/1999 Parris et al.  
5,976,115 A 11/1999 Parris et al.  
6,029,946 A 2/2000 Doyle  
6,050,978 A 4/2000 Orr et al.

6,387,086 B2 5/2002 Mathias et al.  
6,569,125 B2 5/2003 Jepson et al.  
7,056,308 B2 6/2006 Utterberg  
7,140,592 B2 11/2006 Phillips  
7,217,246 B1 5/2007 Stone  
2002/0143298 A1 10/2002 Marsden  
2003/0120221 A1 6/2003 Vaillancourt  
2004/0002684 A1 1/2004 Lopez  
2004/0227120 A1 11/2004 Raybuck  
2005/0090805 A1 4/2005 Shaw et al.  
2008/0228149 A1\* 9/2008 Baxter et al. .... 604/244  
2009/0171299 A1\* 7/2009 Baxter et al. .... 604/244  
2009/0177169 A1\* 7/2009 Baxter et al. .... 604/244  
2009/0182366 A1\* 7/2009 Kennedy ..... 606/170

## FOREIGN PATENT DOCUMENTS

GB 2040379 A 8/1980  
WO 9422524 10/1994  
WO 9641649 12/1996

\* cited by examiner

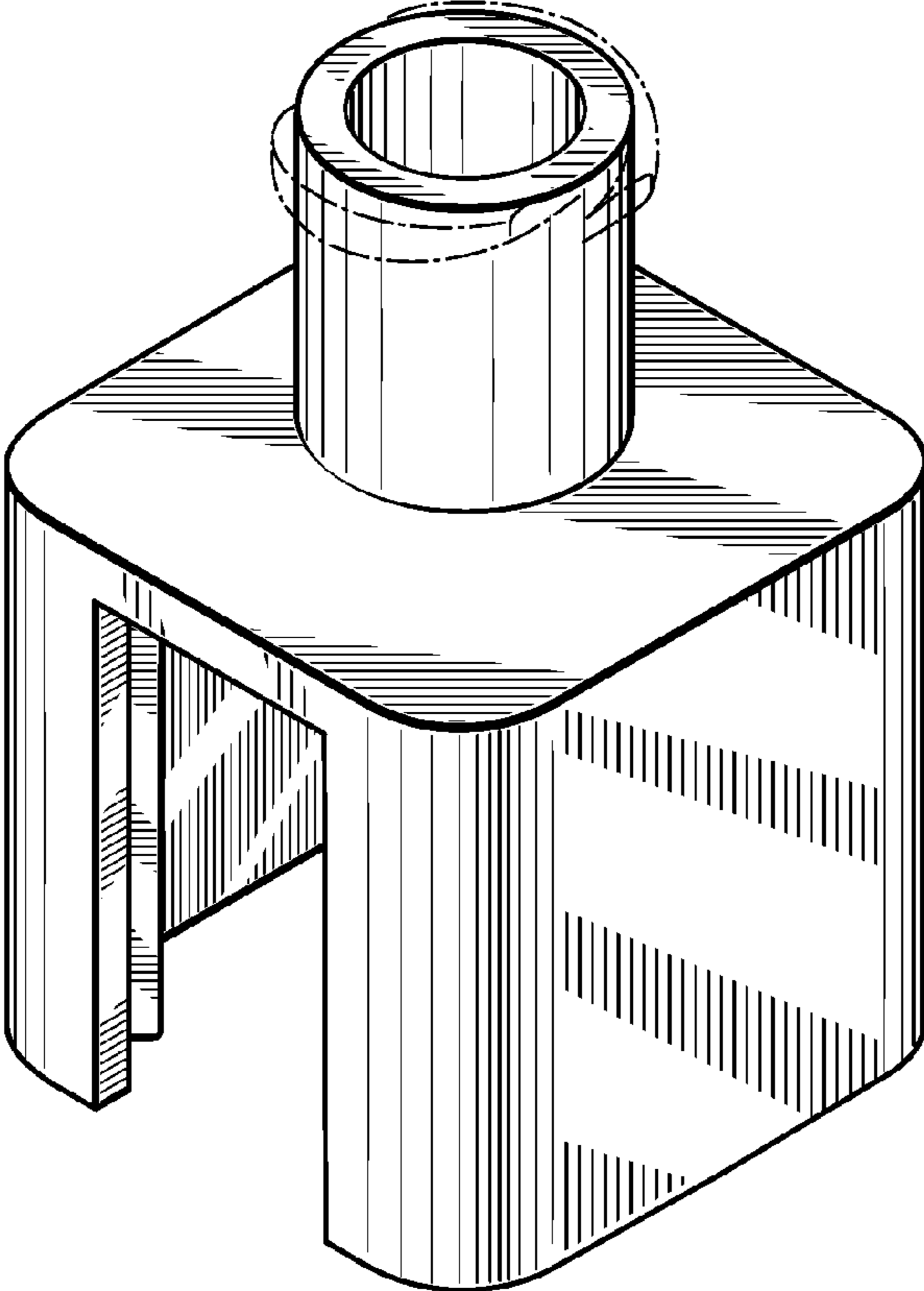


FIG. 1

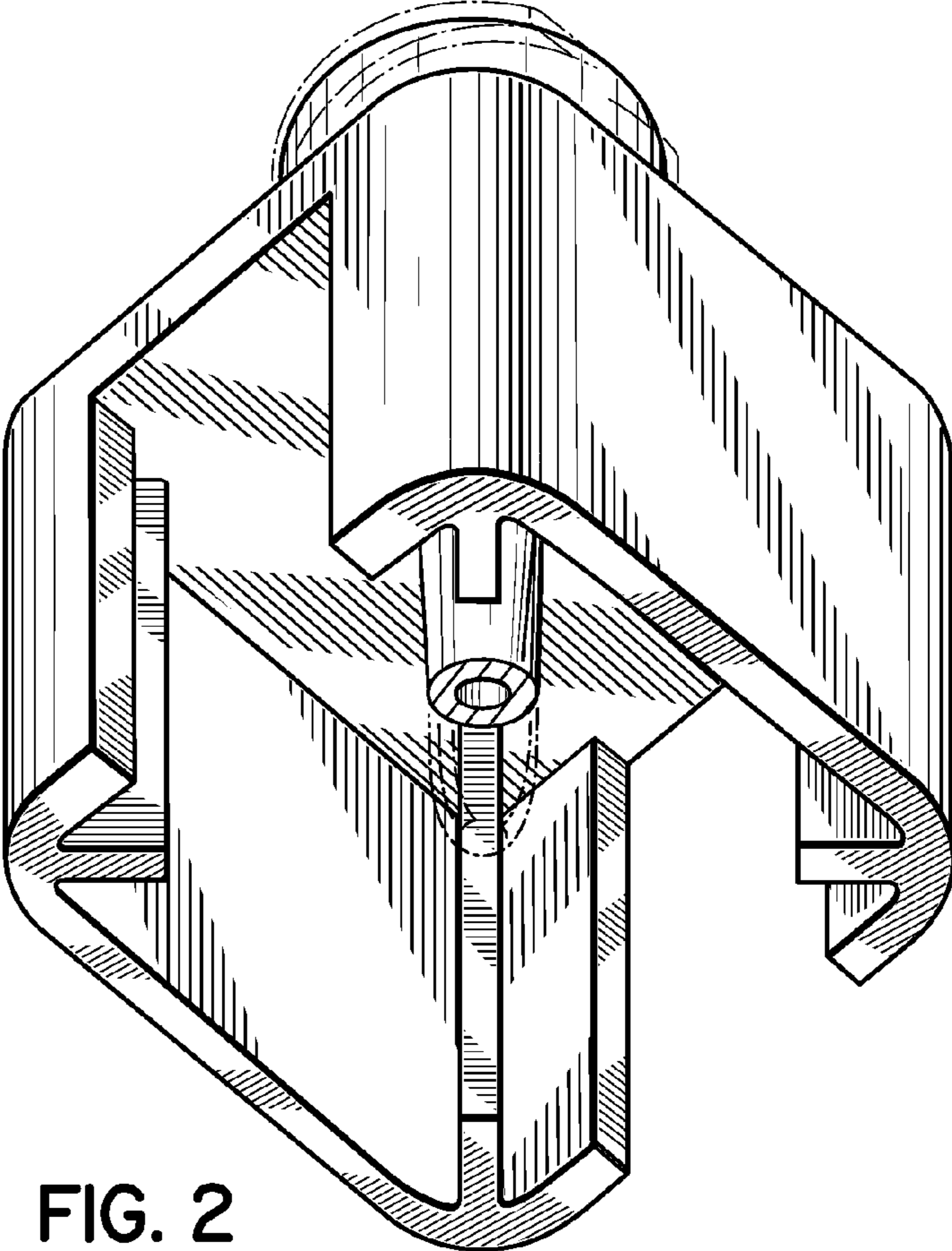


FIG. 2

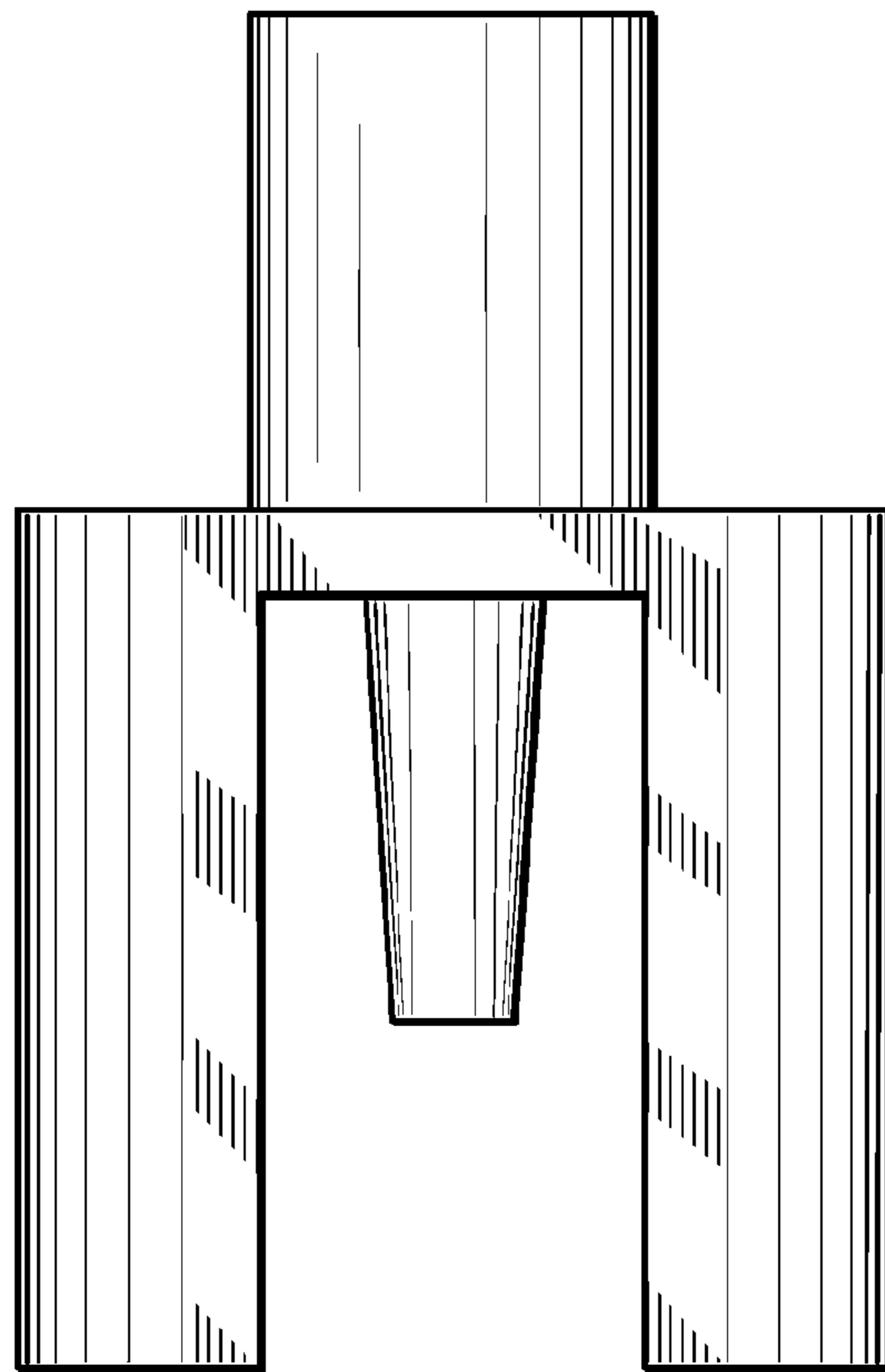


FIG. 3

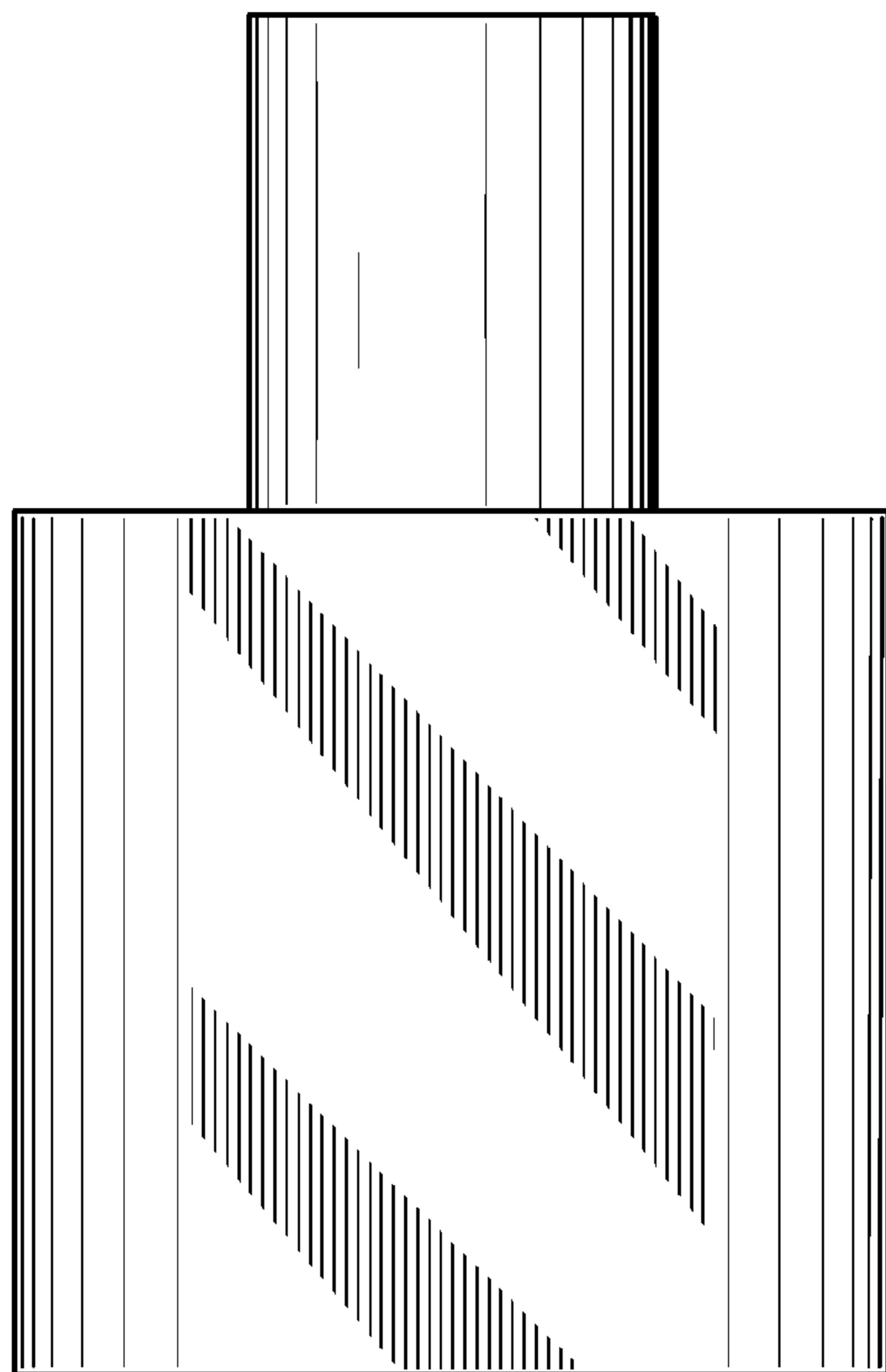


FIG. 4

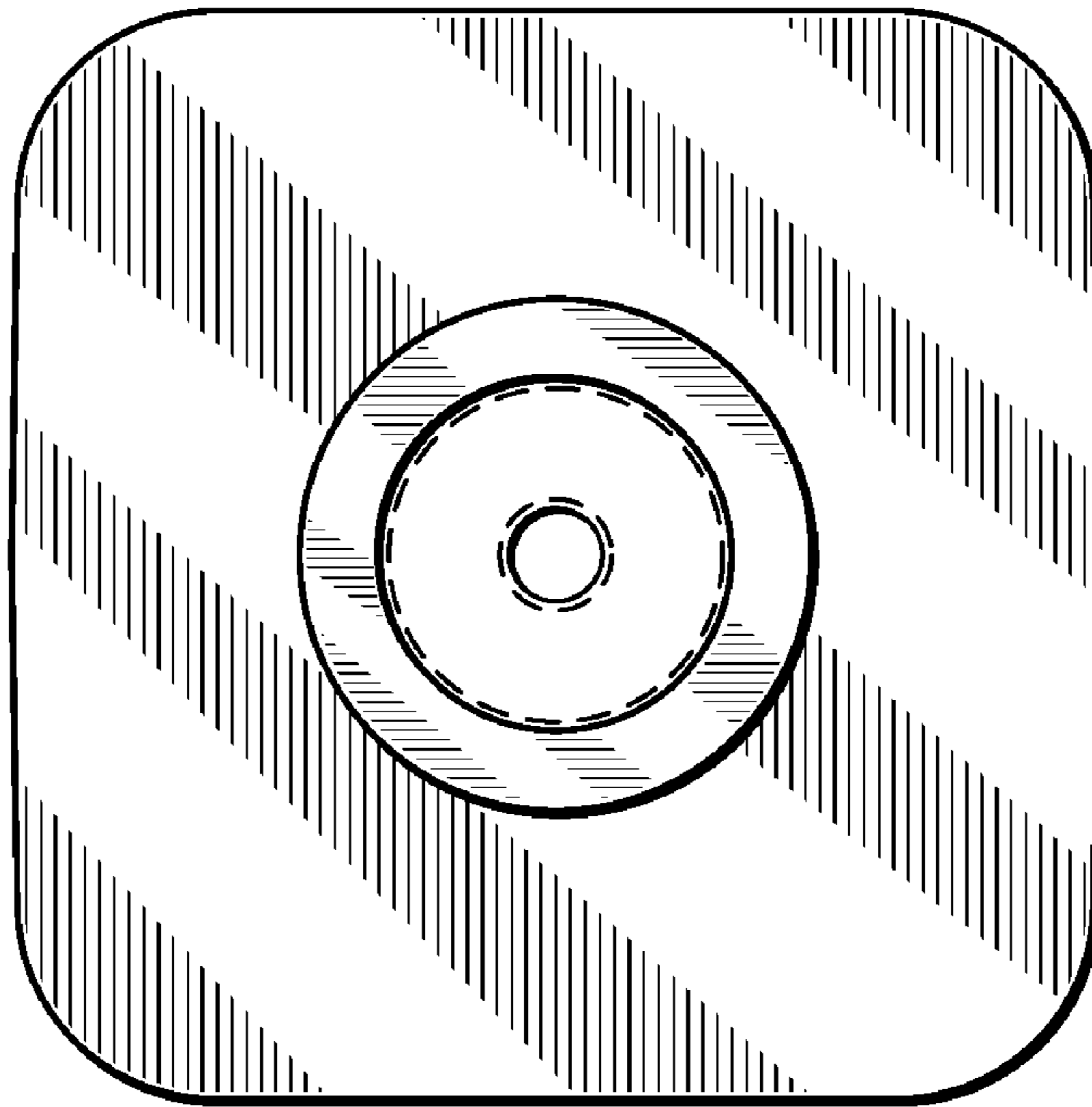


FIG. 5

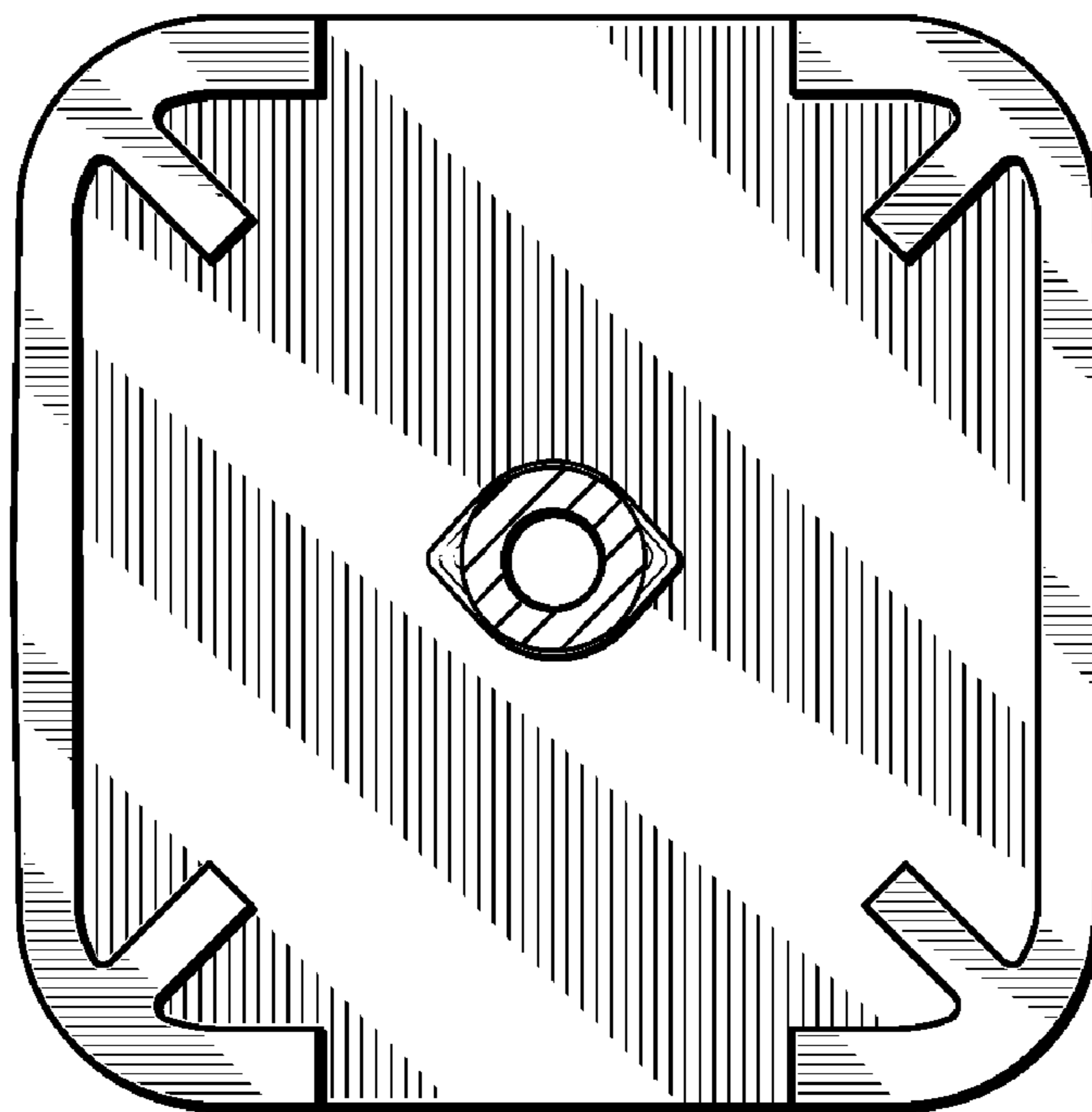


FIG. 6