



US00D605752S

(12) **United States Design Patent**
Polidoro

(10) **Patent No.:** **US D605,752 S**

(45) **Date of Patent:** **** Dec. 8, 2009**

(54) **DRY POWDER INHALER**

(75) Inventor: **John M. Polidoro**, Coventry, CT (US)

(73) Assignee: **MannKind Corporation**, Valencia, CA (US)

(**) Term: **14 Years**

(21) Appl. No.: **29/319,774**

(22) Filed: **Jun. 13, 2008**

(51) **LOC (9) Cl.** **29-02**

(52) **U.S. Cl.** **D24/110**

(58) **Field of Classification Search** D24/110,
D24/110.5; 128/203.14, 203.15, 203.19,
128/203.21, 203.28, 200.12, 200.14, 205.21;
424/46

See application file for complete search history.

(56) **References Cited**

U.S. PATENT DOCUMENTS

D381,416 S	7/1997	Hansson et al.	
D441,859 S *	5/2001	Pera	D24/110
7,146,978 B2	12/2006	Edwards et al.	
D548,833 S *	8/2007	Young et al.	D24/110
7,258,118 B2 *	8/2007	Goede et al.	128/203.19
2006/0073105 A1	4/2006	Yamashita et al.	
2008/0127970 A1 *	6/2008	Steiner et al.	128/203.14

* cited by examiner

Primary Examiner—Ian Simmons

Assistant Examiner—Christopher Lee

(74) *Attorney, Agent, or Firm*—Louis C. Cullman; Brian Novak; K&L Gates LLP

(57) **CLAIM**

The ornamental design for a dry powder inhaler, as shown and described.

DESCRIPTION

FIG. 1 is a top and side perspective view of a dry powder inhaler of my new design.

FIG. 2 is a side perspective view of the dry powder inhaler of FIG. 1.

FIG. 3 is a top perspective view of the dry powder inhaler of FIG. 1.

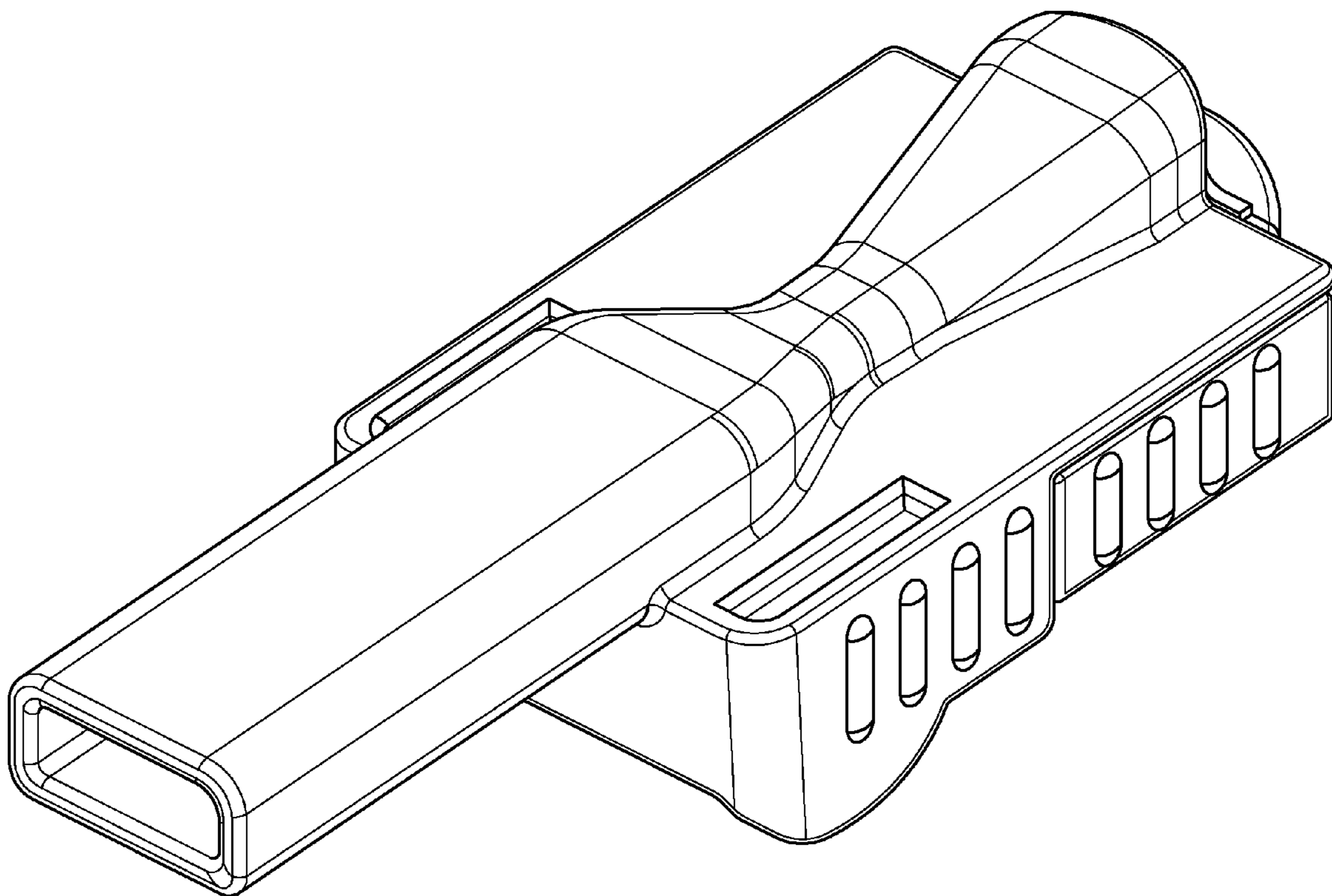
FIG. 4 is frontal perspective view of the dry powder inhaler in FIG. 1.

FIG. 5 is a back perspective view of the dry powder inhaler of FIG. 1.

FIG. 6 is side and top perspective view of the dry powder inhaler of FIG. 1 in an open configuration; and,

FIG. 7 is bottom perspective view of the dry powder inhaler shown in FIG. 1.

1 Claim, 6 Drawing Sheets



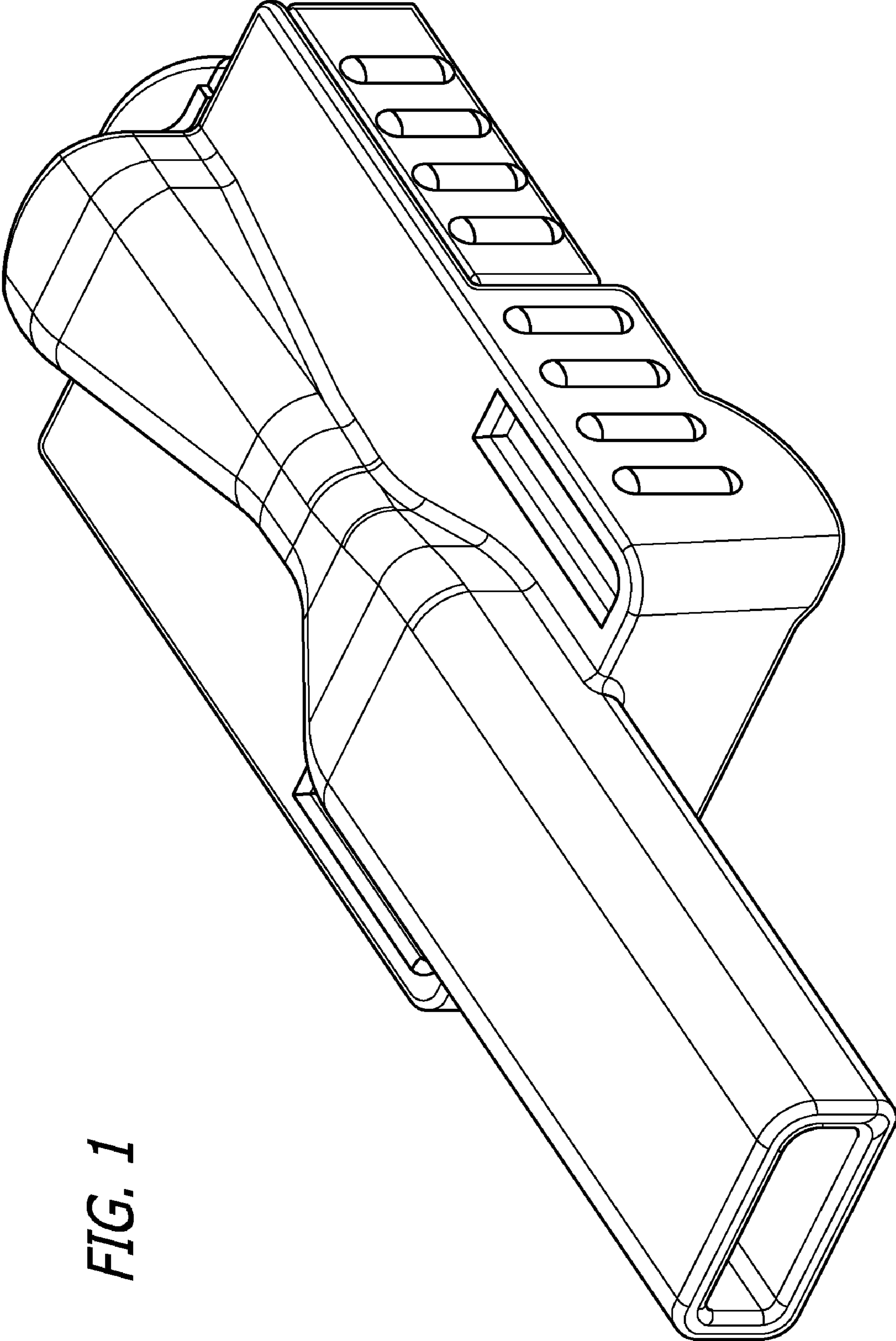


FIG. 1

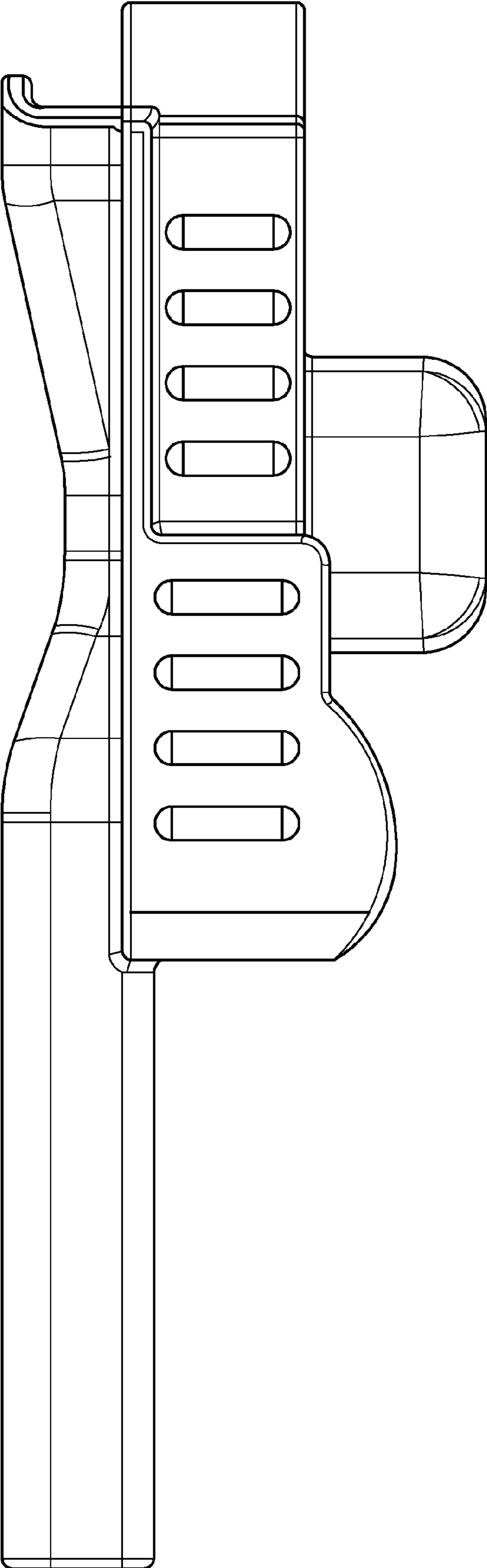


FIG. 2

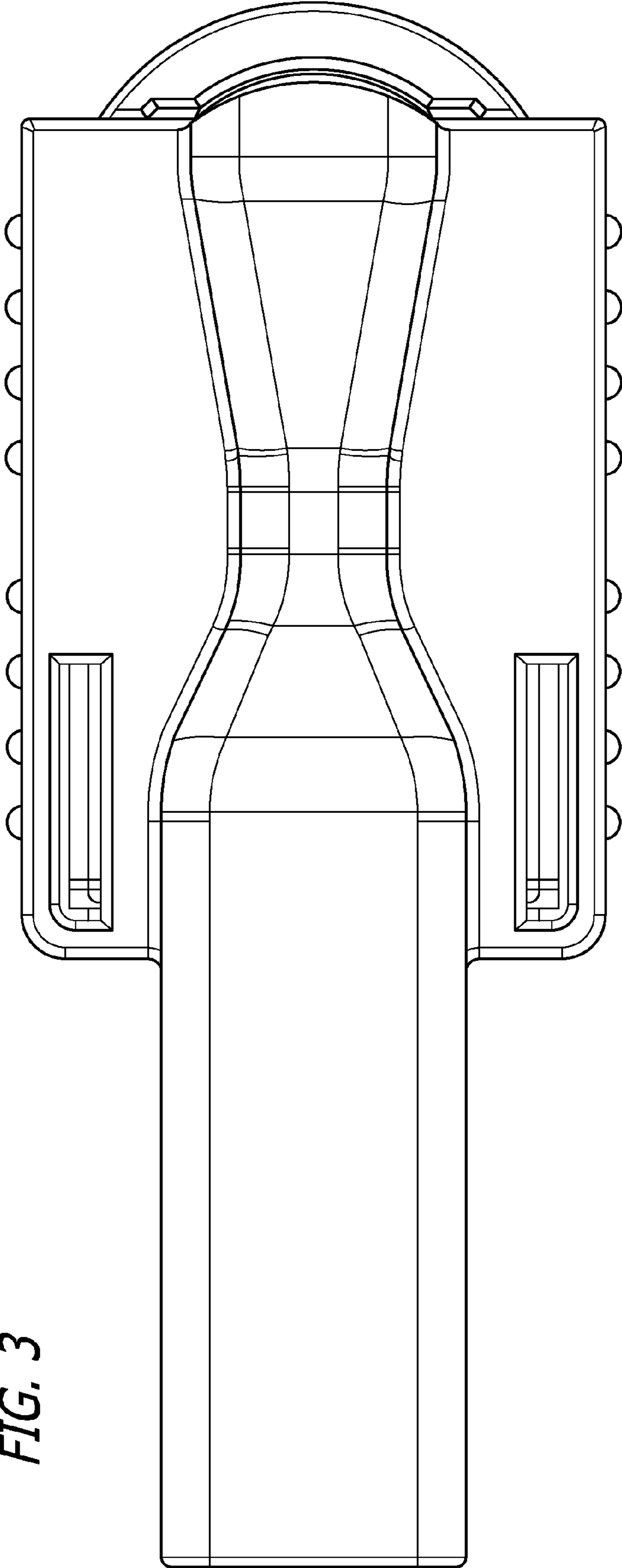


FIG. 3

FIG. 5

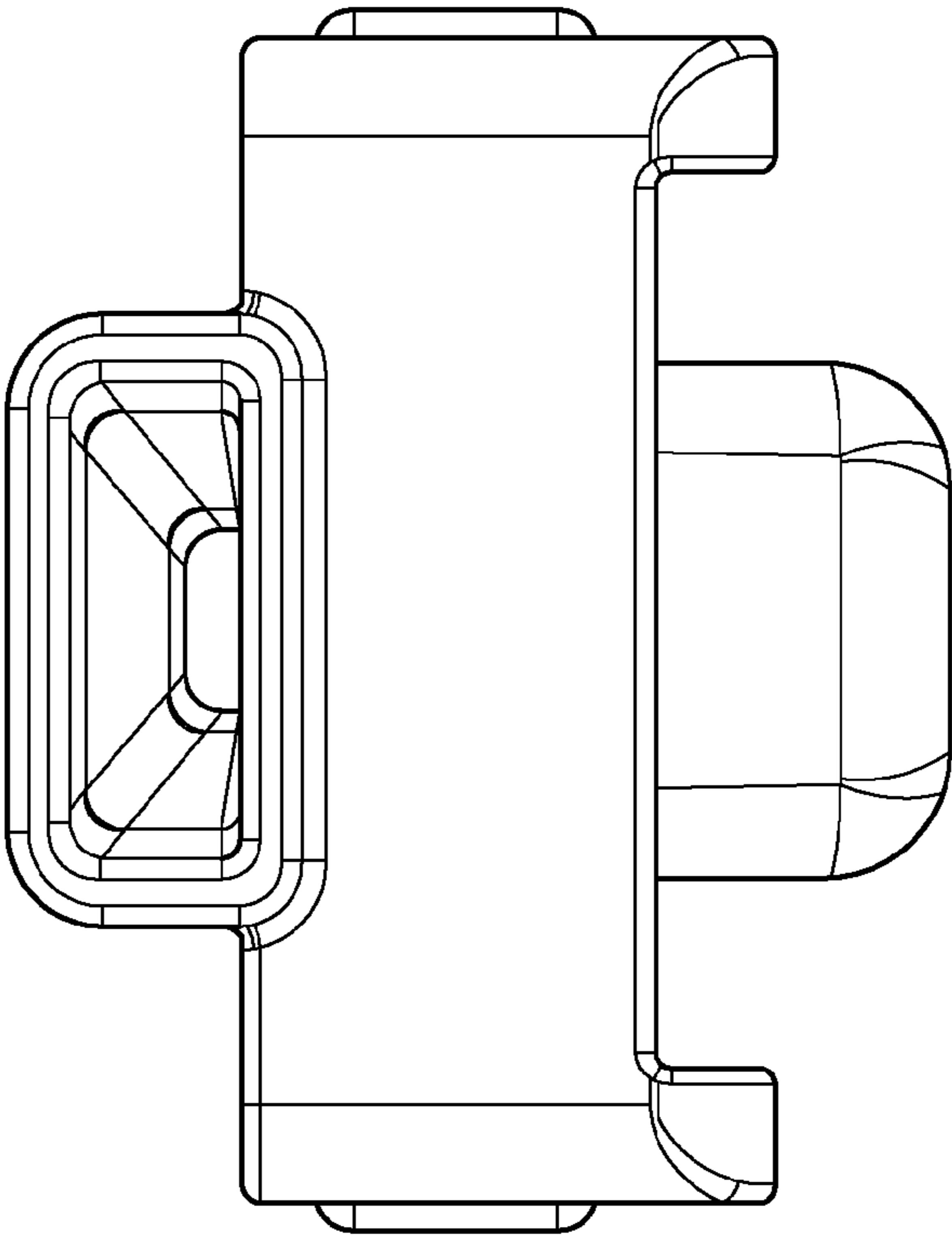
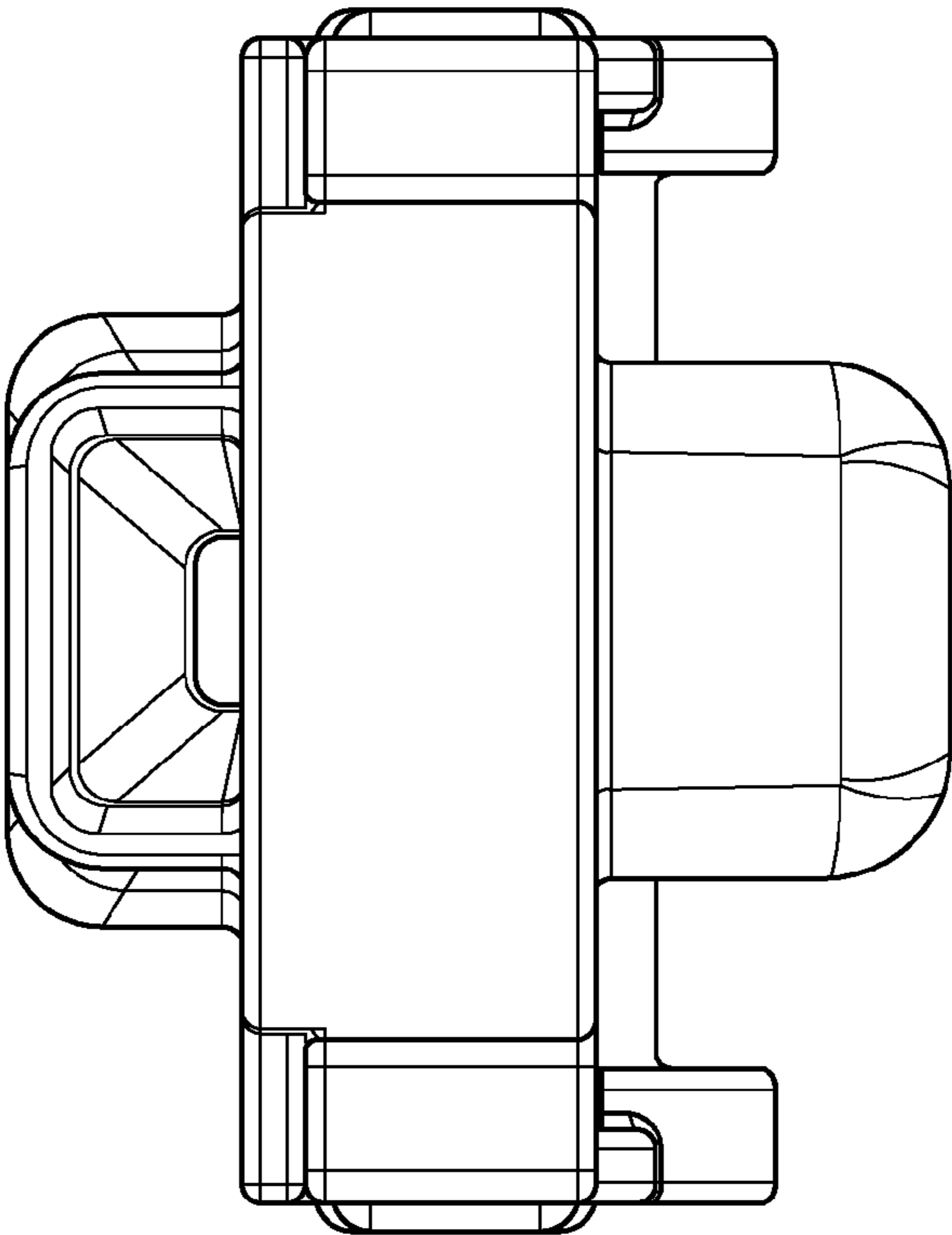


FIG. 4



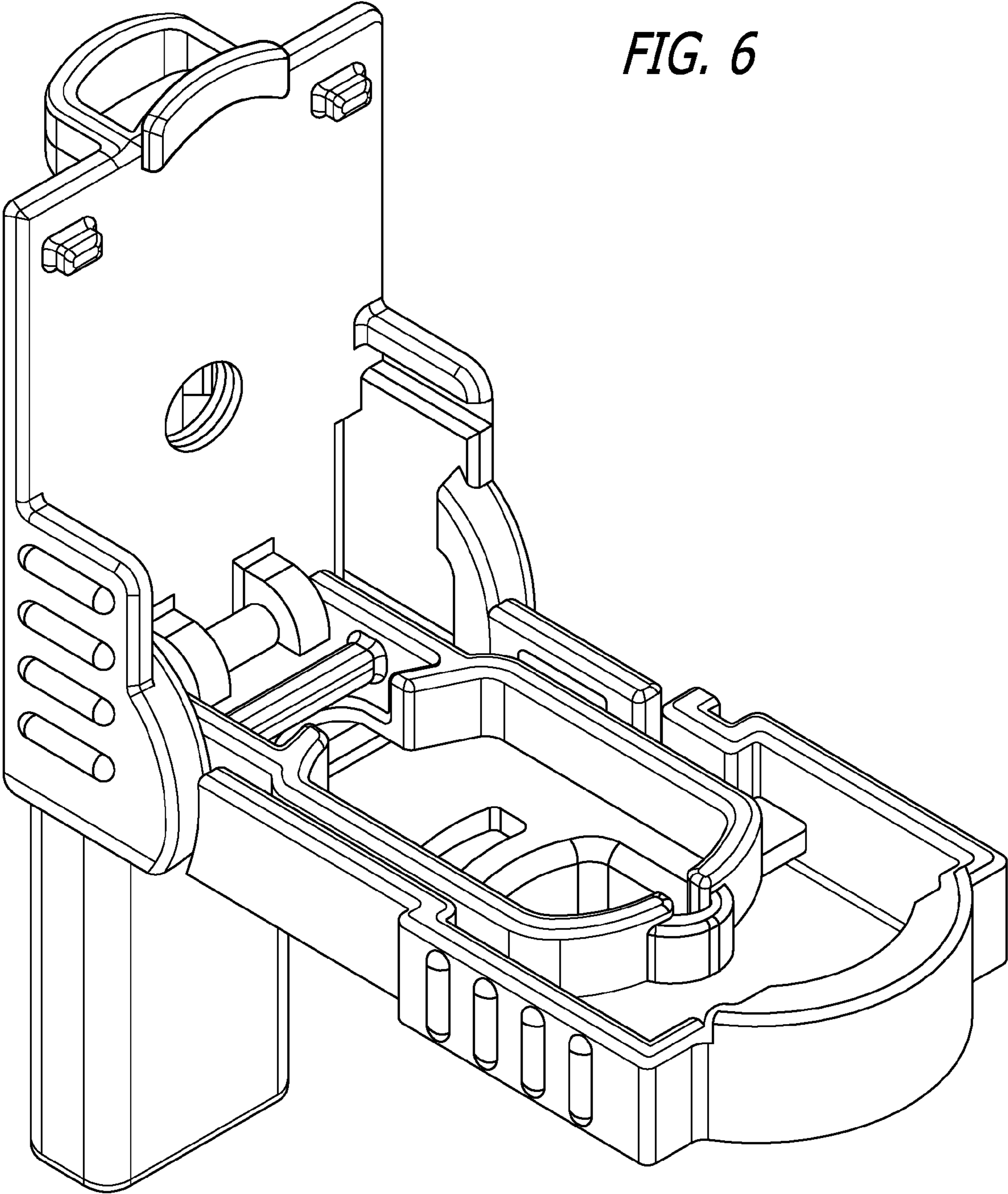


FIG. 6

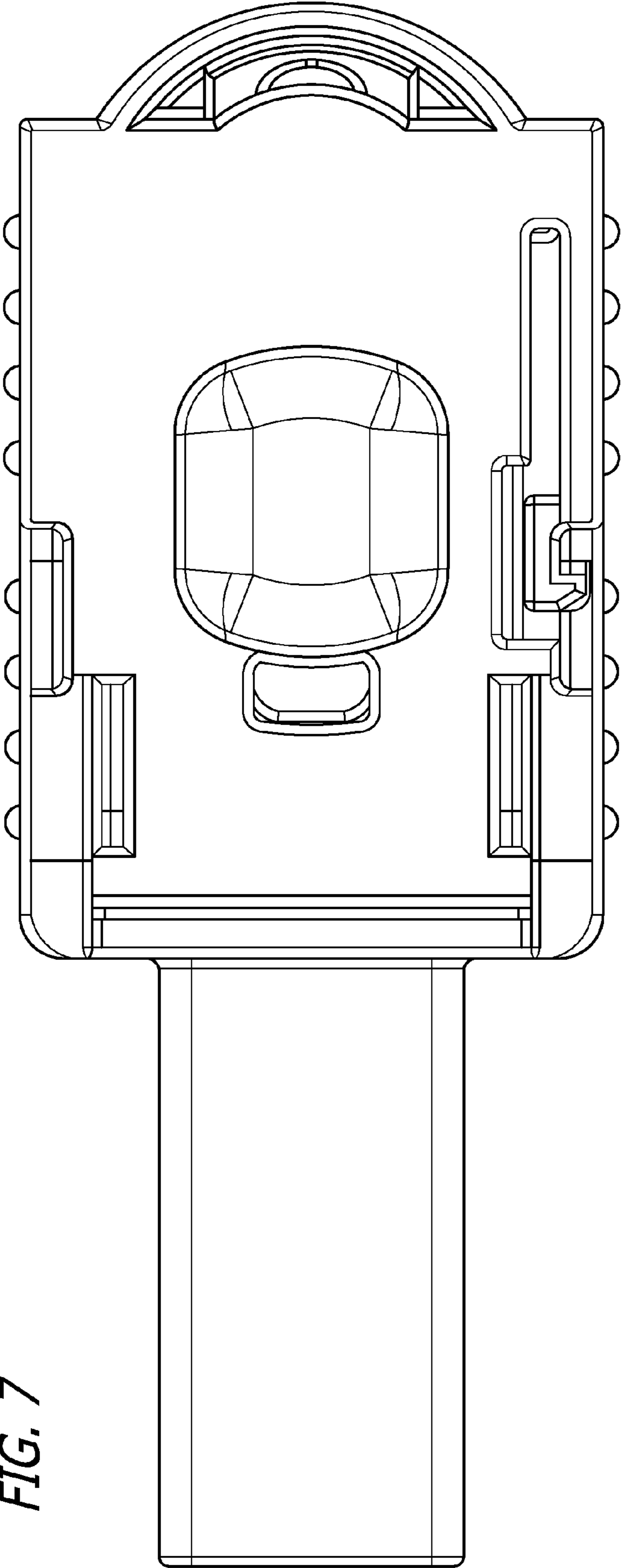


FIG. 7