



US00D605751S

(12) **United States Design Patent**
Yang

(10) **Patent No.:** **US D605,751 S**

(45) **Date of Patent:** **** Dec. 8, 2009**

(54) **CEILING FAN**

(75) Inventor: **Wei Cheng Yang**, Taichung (TW)

(73) Assignee: **Rhine Electronic Co., Ltd.**, Taichung (TW)

(**) Term: **14 Years**

(21) Appl. No.: **29/339,944**

(22) Filed: **Jul. 10, 2009**

(51) **LOC (9) Cl.** **23-04**

(52) **U.S. Cl.** **D23/377**

(58) **Field of Classification Search** D23/377,
D23/379, 385, 411, 413; 416/5; D26/59,
D26/72, 81-88

See application file for complete search history.

(56) **References Cited**

U.S. PATENT DOCUMENTS

D394,103 S *	5/1998	Lee	D23/411
D477,397 S *	7/2003	Chen	D23/411
D478,162 S *	8/2003	Collmar	D23/377

* cited by examiner

Primary Examiner—Lisa P Lichtenstein

(74) *Attorney, Agent, or Firm*—Ming Chow; Sinorica, LLC

(57) **CLAIM**

The ornamental design for a ceiling fan, as shown and described.

DESCRIPTION

FIG. 1 is a perspective view of the ceiling fan showing my new design;

FIG. 2 is a front elevation view thereof;

FIG. 3 is a rear elevation view thereof;

FIG. 4 is left side view thereof;

FIG. 5 is right side view thereof;

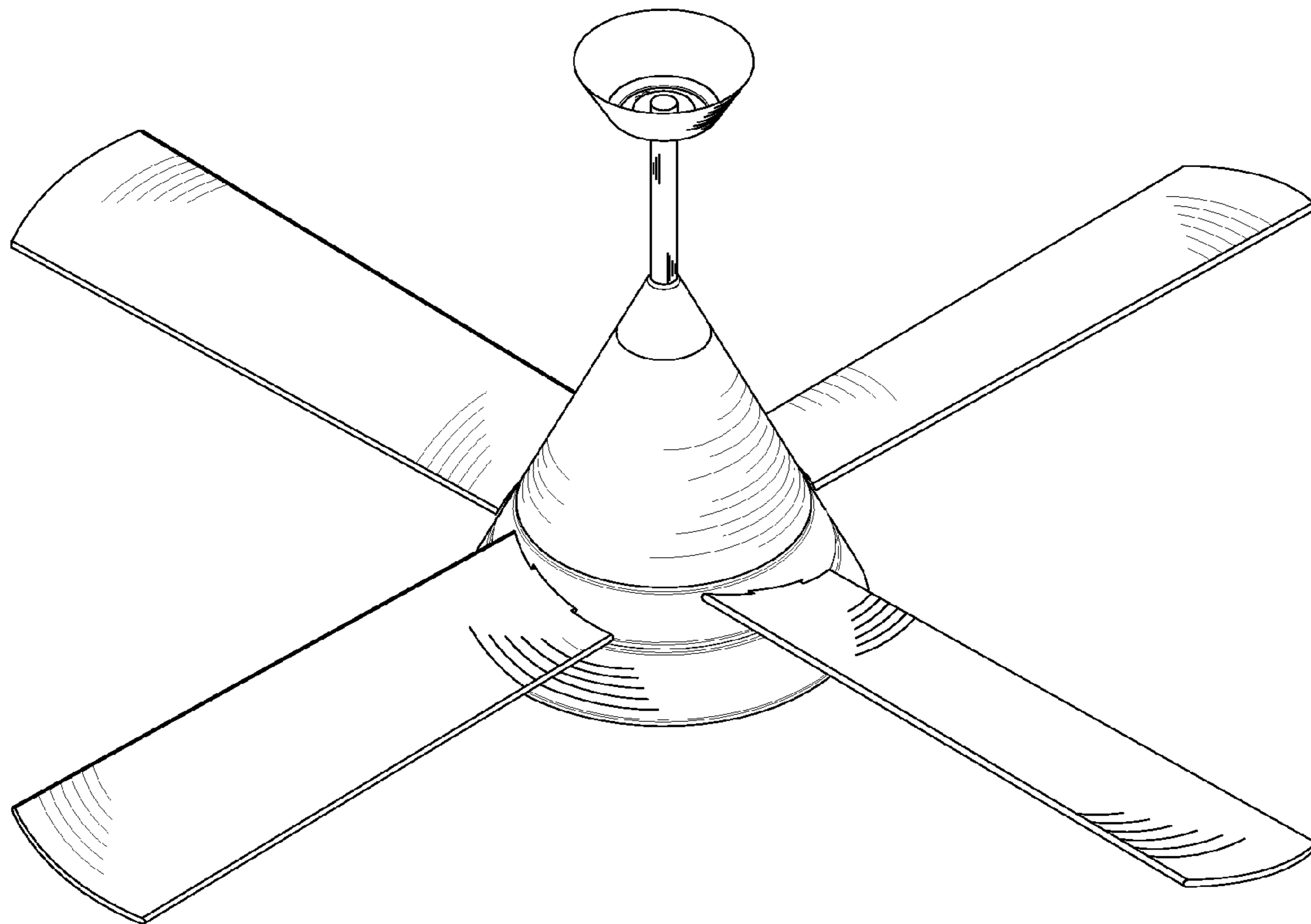
FIG. 6 is a top plan view thereof;

FIG. 7 is a bottom plan view thereof; and,

FIG. 8 is a reduced perspective view of the ceiling fan in accordance with my design, shown in its environment.

The broken line showing of light unit is included for the purpose of illustrating environmental structure and forms no part of the claimed design.

1 Claim, 8 Drawing Sheets



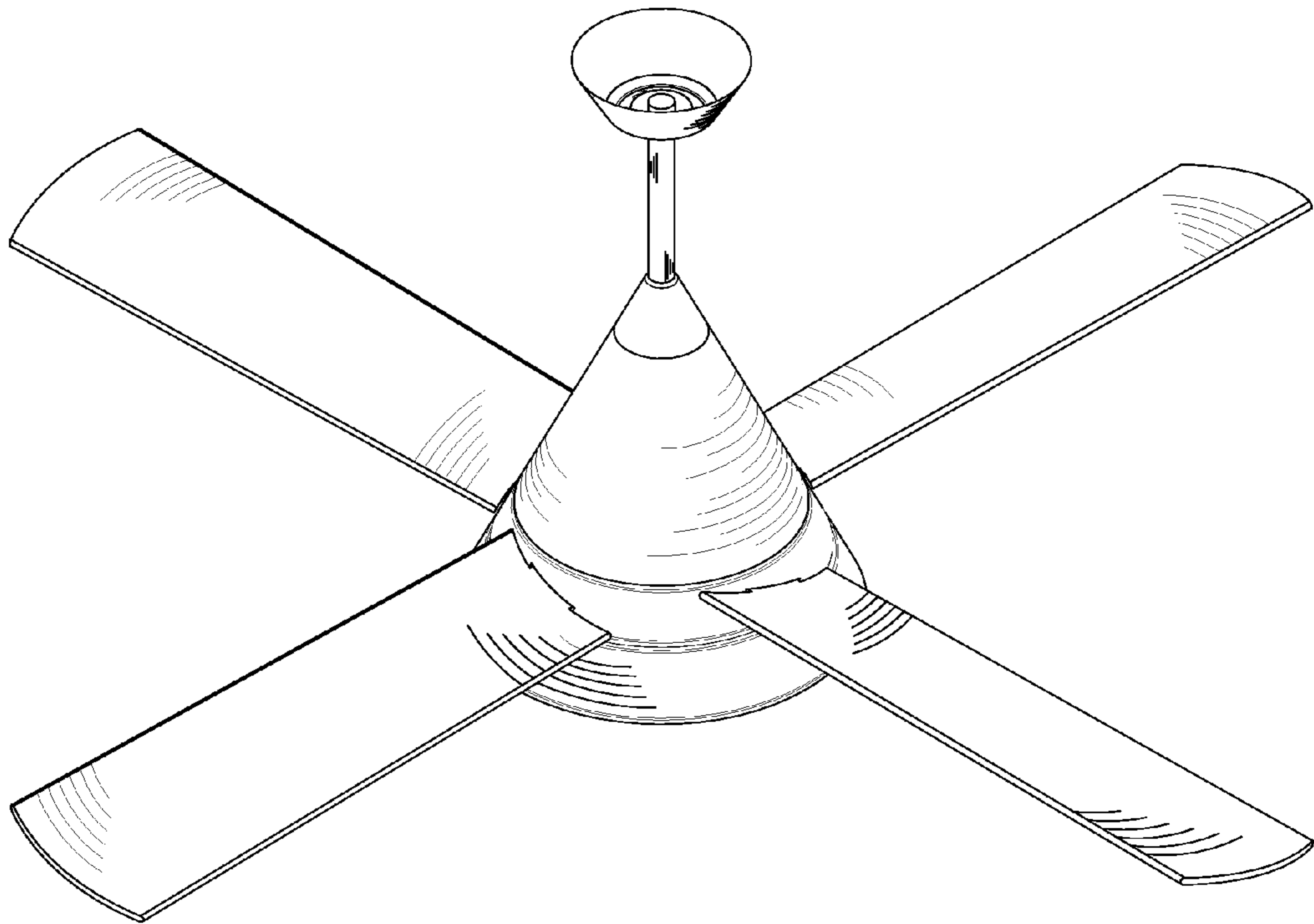


FIG. 1

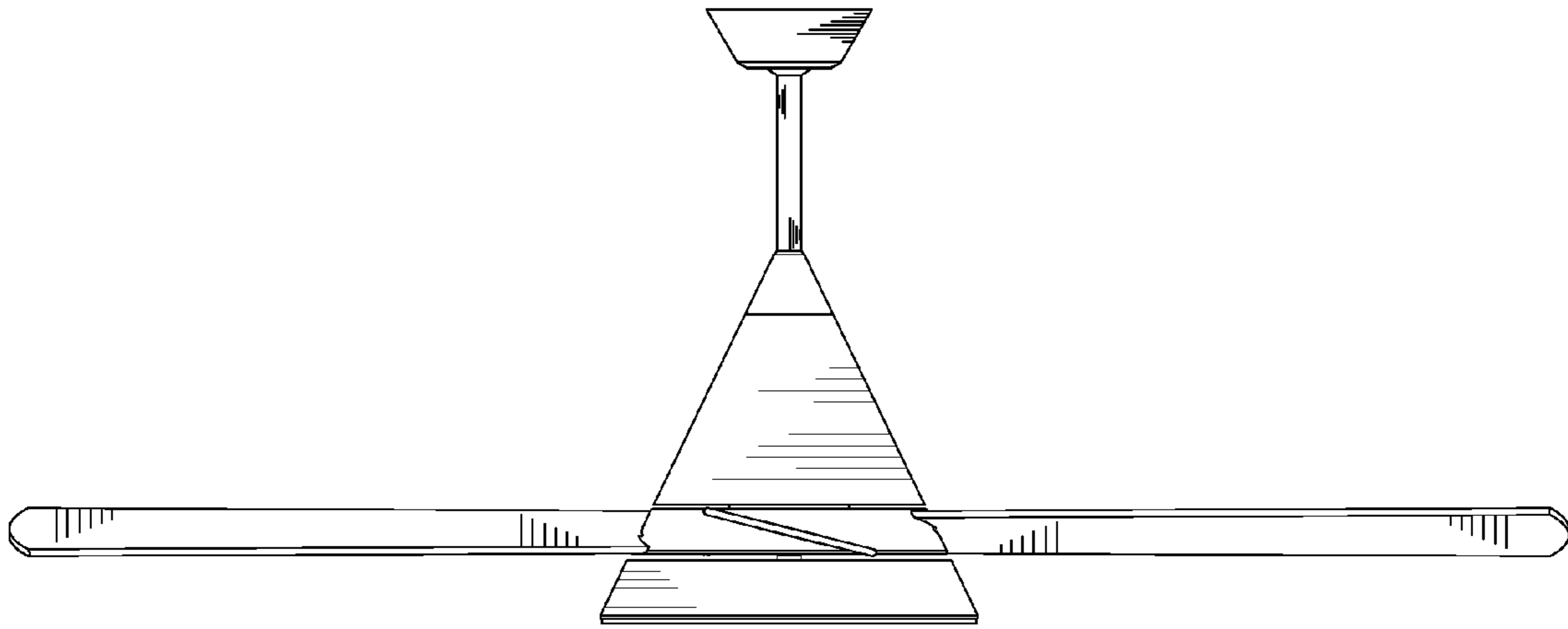


FIG. 2

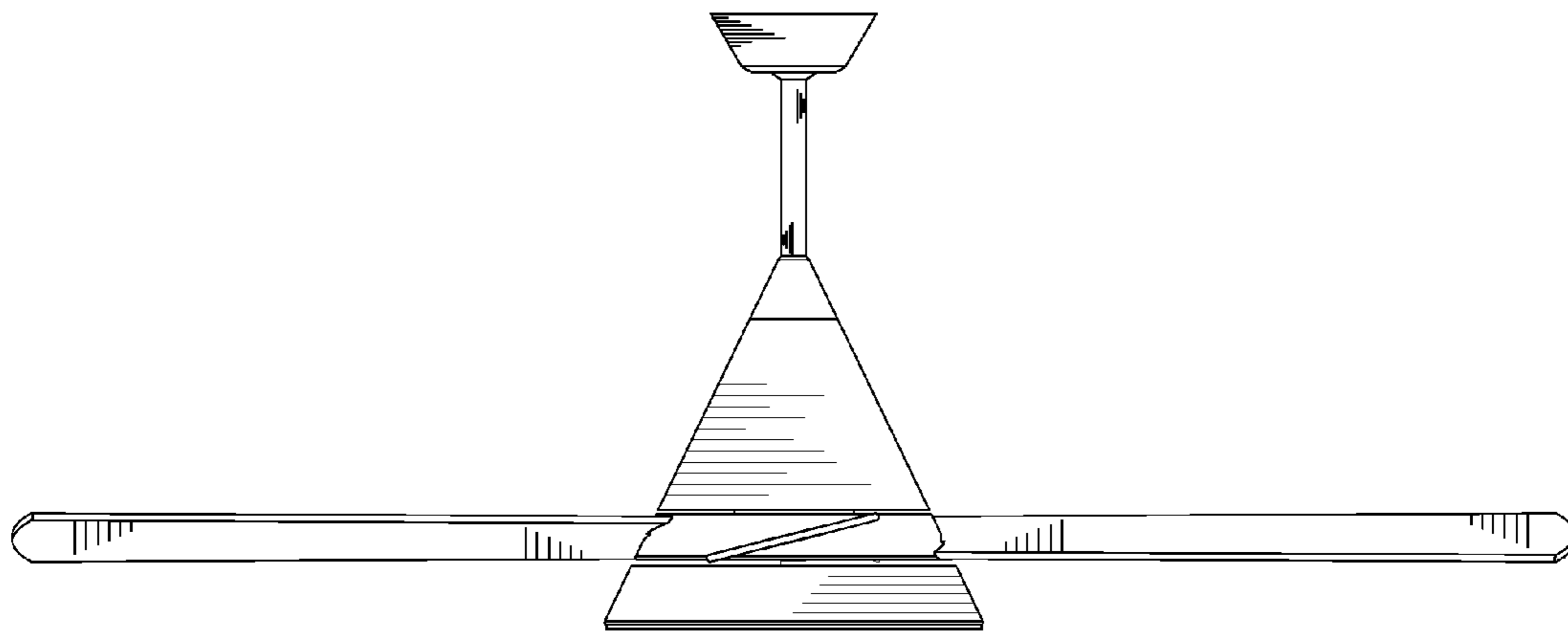


FIG. 3

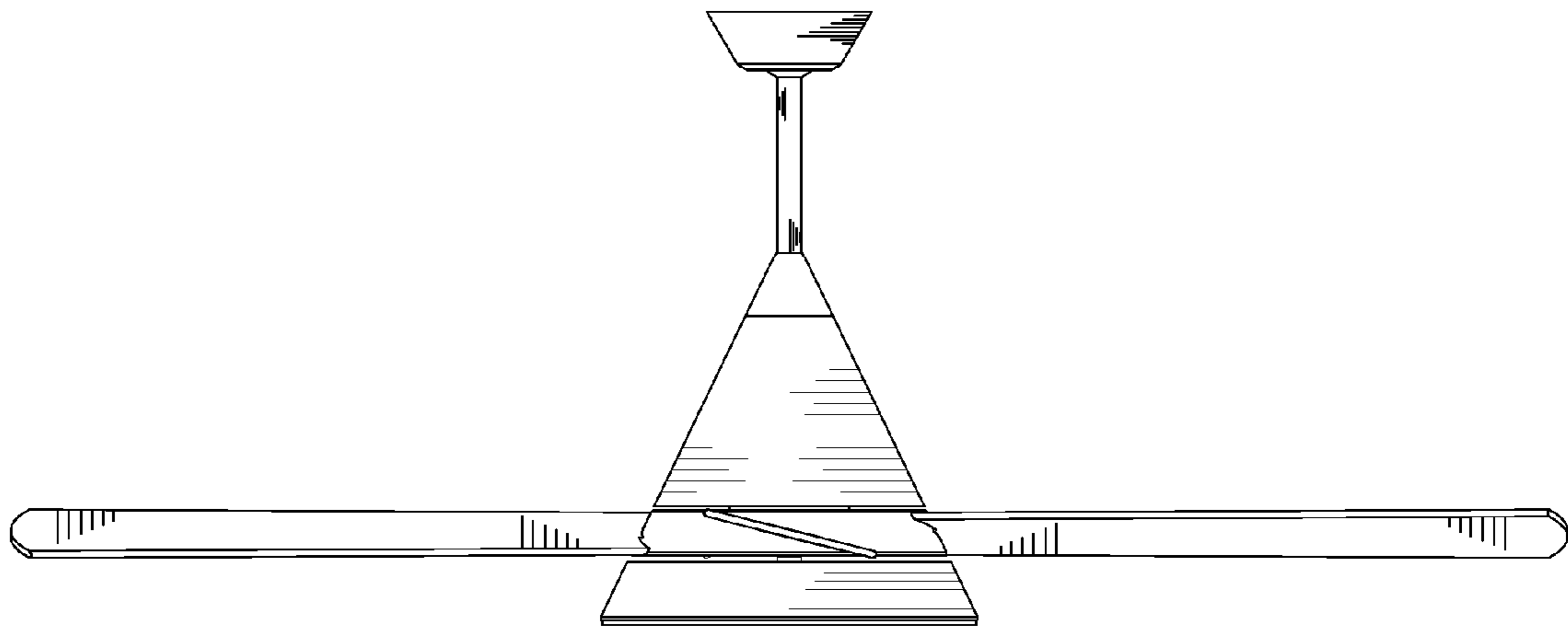


FIG. 4

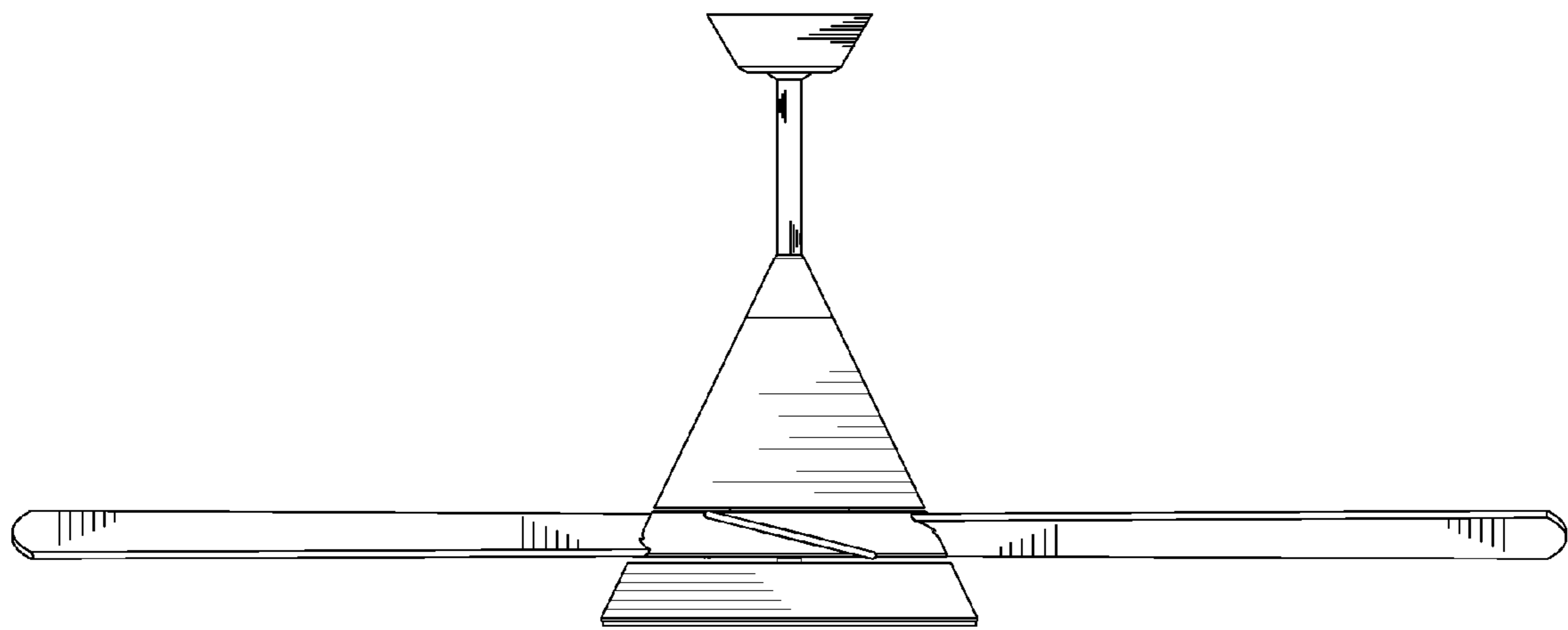


FIG. 5

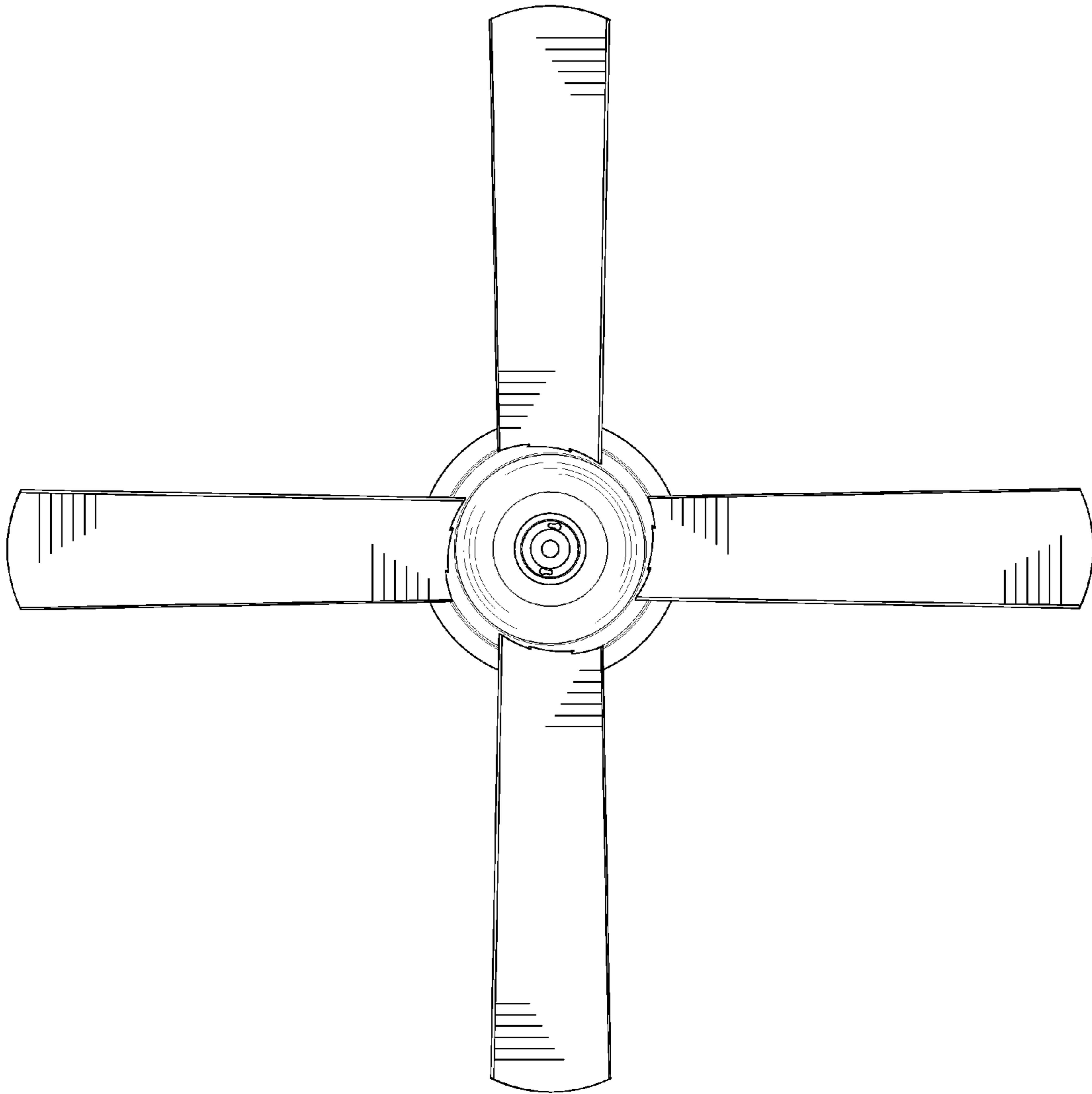


FIG. 6

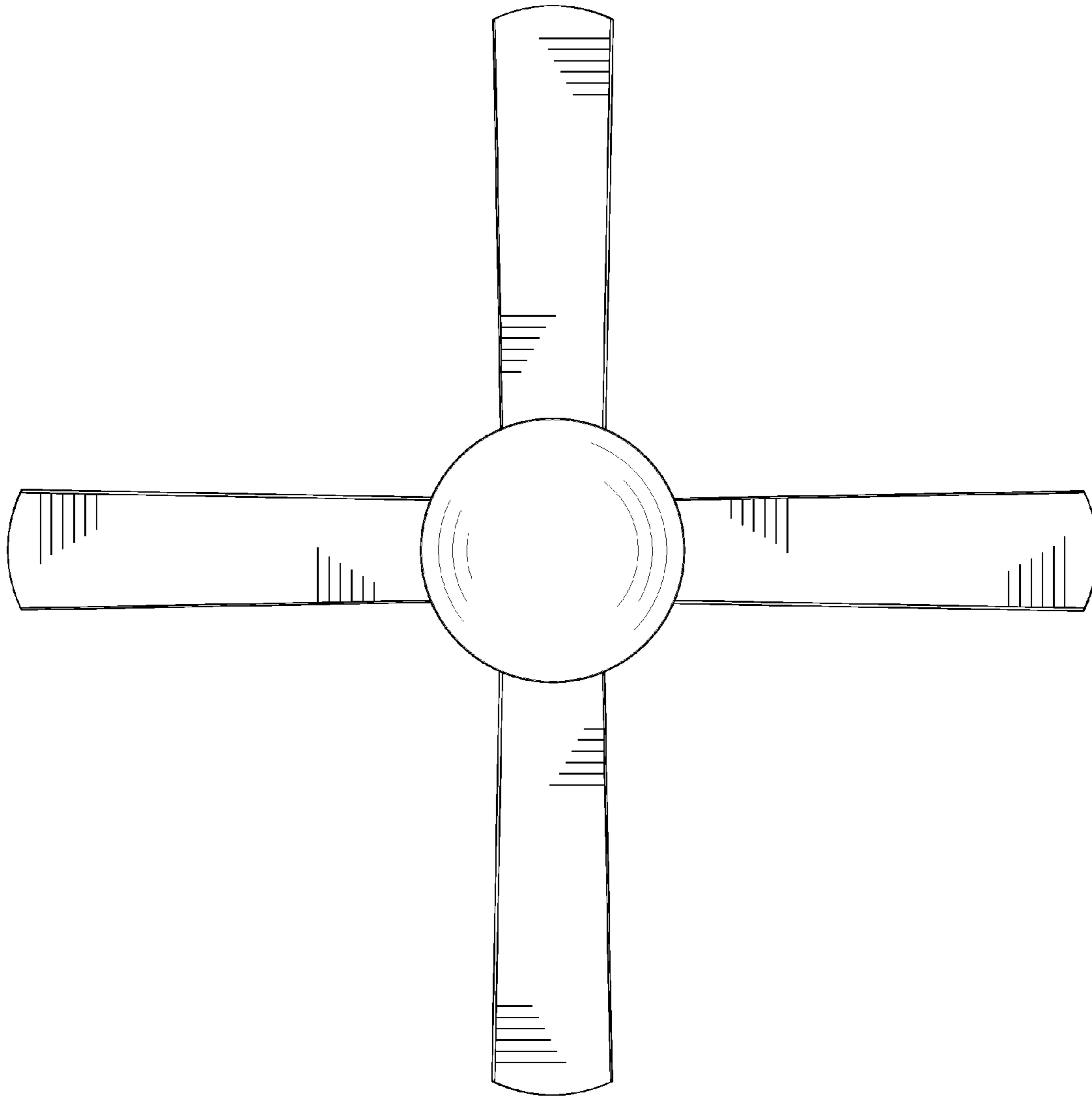


FIG. 7

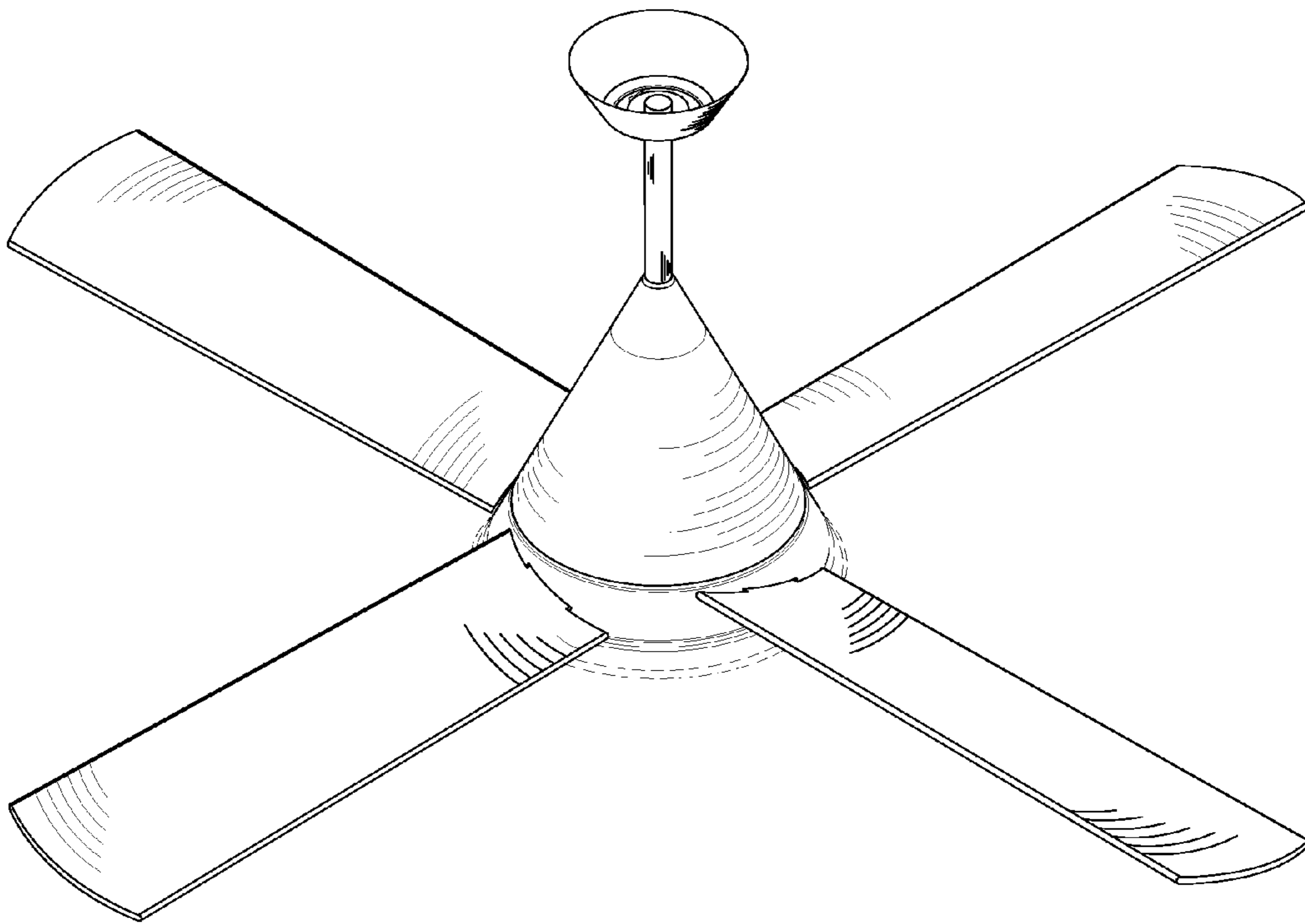


FIG.8