



US00D605750S

(12) **United States Design Patent**  
**Paxton et al.**

(10) **Patent No.:** **US D605,750 S**  
(45) **Date of Patent:** **\*\* Dec. 8, 2009**

(54) **COMBINATION CEILING FAN AND LIGHT  
FIXTURE**

(75) Inventors: **Karyl Pierce Paxton**, New Orleans, LA  
(US); **Pat McDonald Fowler**, New  
Orleans, LA (US)

(73) Assignee: **Progressive Lighting, Inc.**, Braselton,  
GA (US)

(\*\*) Term: **14 Years**

(21) Appl. No.: **29/334,950**

(22) Filed: **Apr. 6, 2009**

(51) **LOC (9) Cl.** ..... **23-04**

(52) **U.S. Cl.** ..... **D23/377**

(58) **Field of Classification Search** ..... D23/377,  
D23/379, 385, 411, 413; 416/5; D26/59,  
D26/72, 81-86, 88, 51

See application file for complete search history.

(56) **References Cited**

U.S. PATENT DOCUMENTS

- D50,160 S \* 1/1917 Barrows et al. .... D26/84
- D297,456 S \* 8/1988 Pearce ..... D23/385
- D312,139 S 11/1990 Wang
- D378,404 S \* 3/1997 Jaspers-Fayer ..... D23/377
- D392,033 S \* 3/1998 Jaspers-Fayer ..... D23/377
- D400,977 S \* 11/1998 Davis, Jr. .... D23/377
- D426,630 S 6/2000 Gajewski
- D426,879 S 6/2000 Gajewski
- 6,322,232 B1 \* 11/2001 Oliver ..... 362/147
- D452,308 S \* 12/2001 Lee ..... D23/411
- 6,676,375 B2 1/2004 LeBlanc et al.
- D521,627 S \* 5/2006 Flores ..... D23/377

- D524,473 S \* 7/2006 Burns ..... D26/59
- D526,400 S 8/2006 Hidalgo et al.
- D530,417 S 10/2006 Hidalgo
- D531,299 S 10/2006 Hidalgo
- D531,721 S 11/2006 Hidalgo
- D532,100 S 11/2006 Hidalgo
- D533,653 S 12/2006 Hidalgo
- D538,419 S 3/2007 Hidalgo
- D567,350 S 4/2008 Hidalgo et al.
- D579,097 S \* 10/2008 Hidalgo ..... D23/377
- 2006/0209532 A1 9/2006 Hardgrave

\* cited by examiner

*Primary Examiner*—Lisa P Lichtenstein

(74) *Attorney, Agent, or Firm*—Alston & Bird LLP

(57) **CLAIM**

The ornamental design for a combination ceiling fan and light fixture, as shown and described.

**DESCRIPTION**

FIG. 1 is a perspective view of my combination ceiling fan and light fixture in accordance with my design;

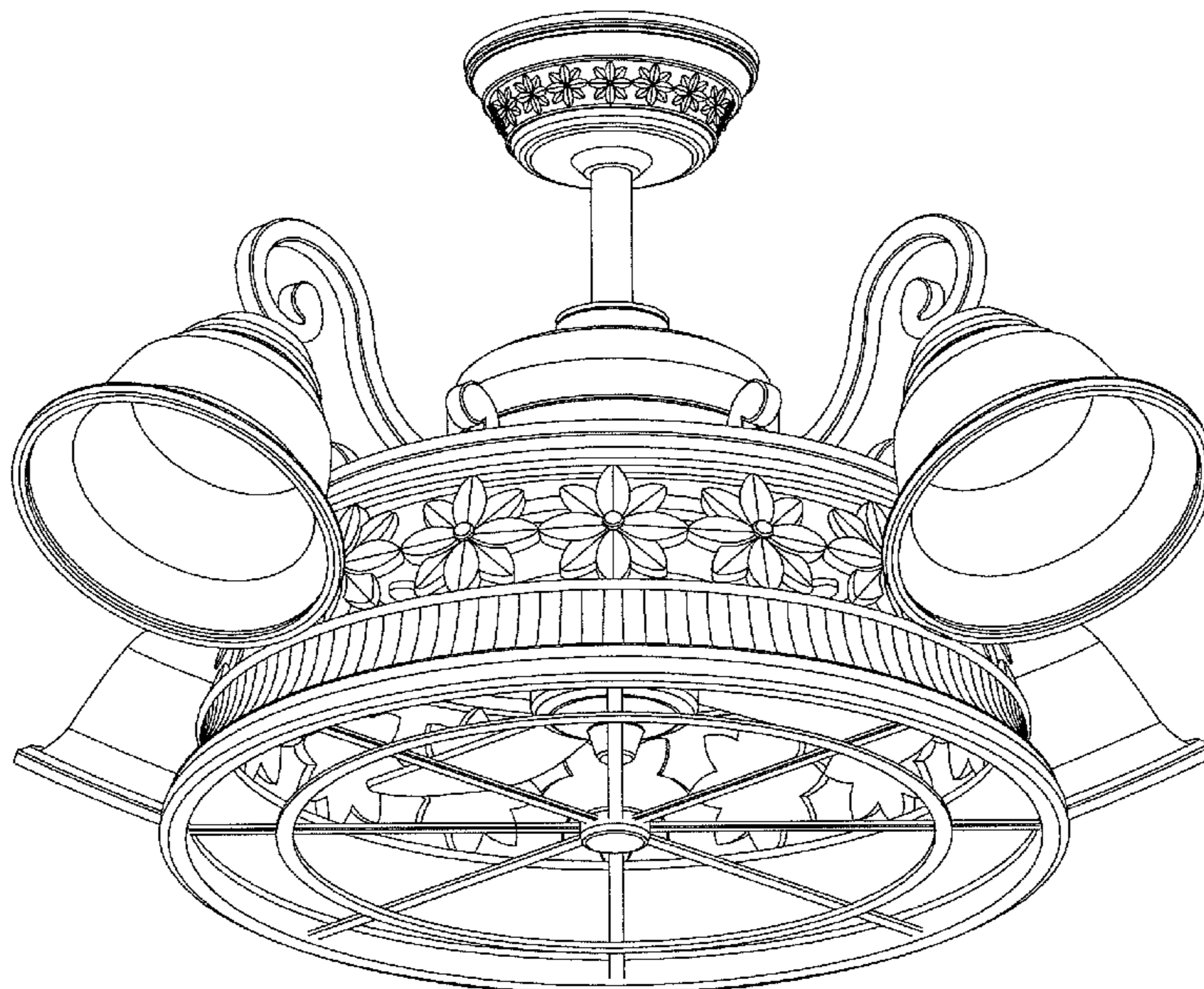
FIG. 2 is a top plan view of the combination ceiling fan and light fixture according to my design;

FIG. 3 is a bottom plan view of the combination ceiling fan and light fixture according to my design;

FIG. 4 is a side elevational view of the combination ceiling fan and light fixture according to my design; and,

FIG. 5 is a side elevational view of the combination ceiling fan and light fixture according to my design, rotated about its central vertical axis 45 degrees.

**1 Claim, 5 Drawing Sheets**



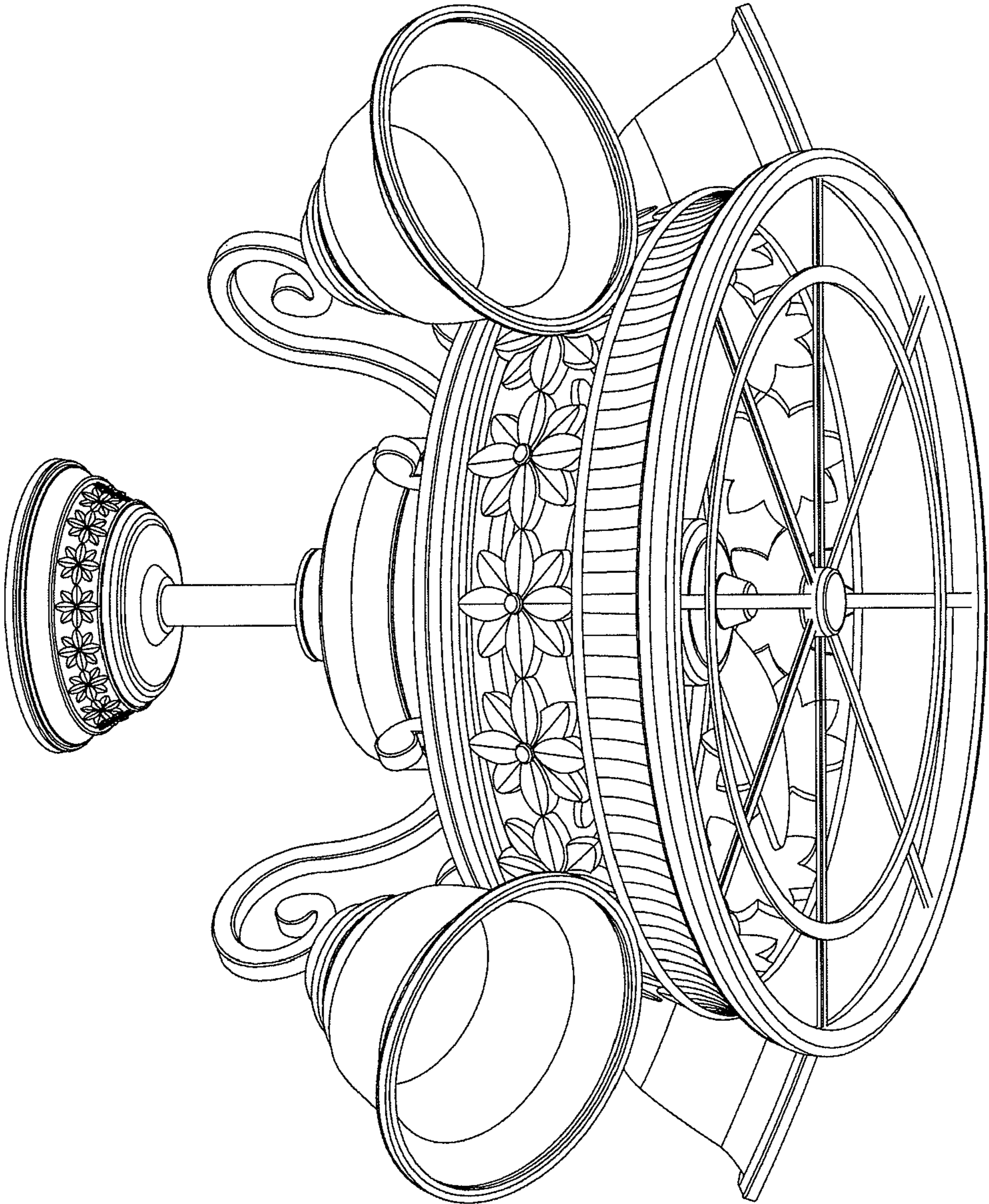


Fig. 1



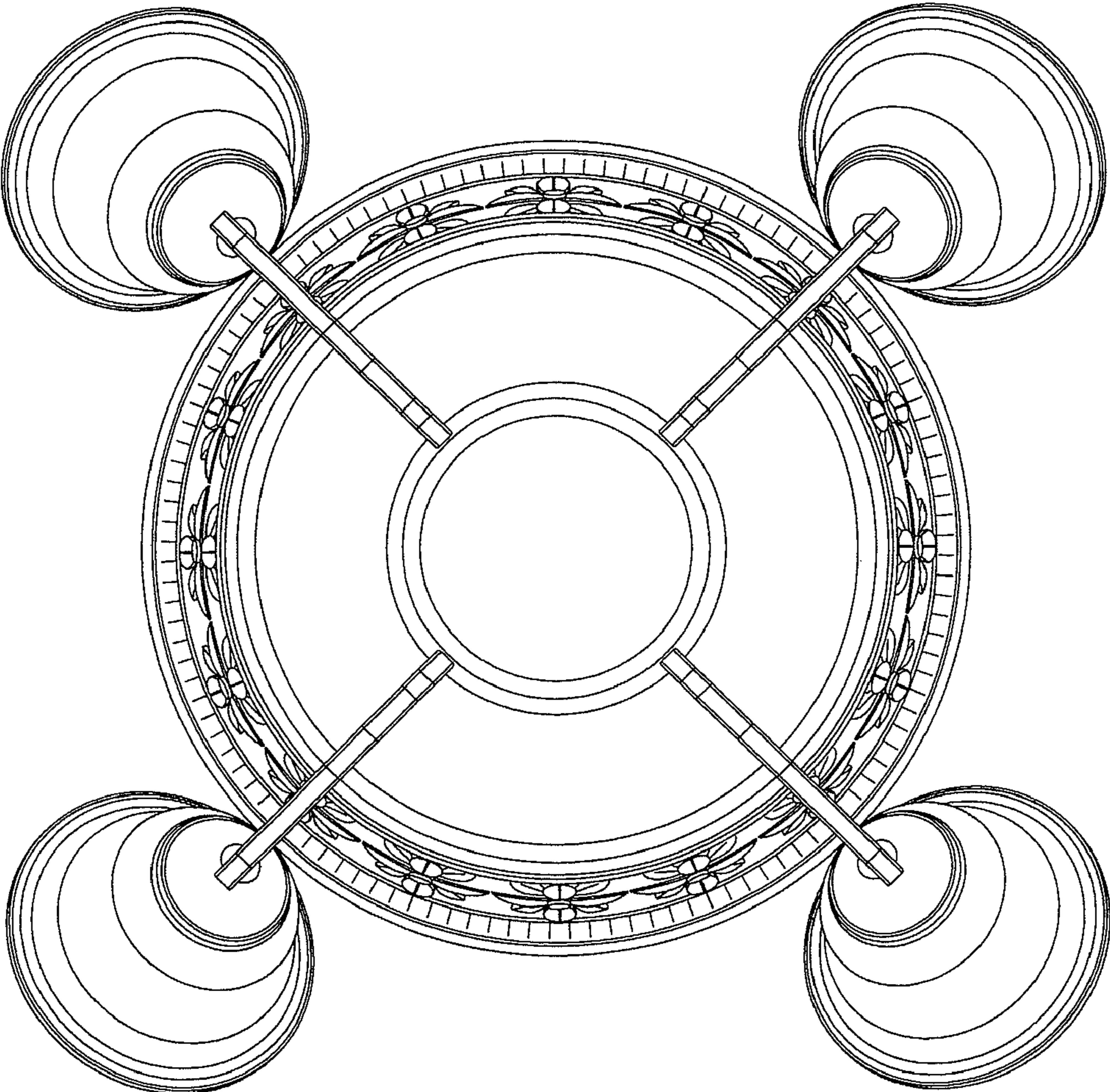


Fig. 2

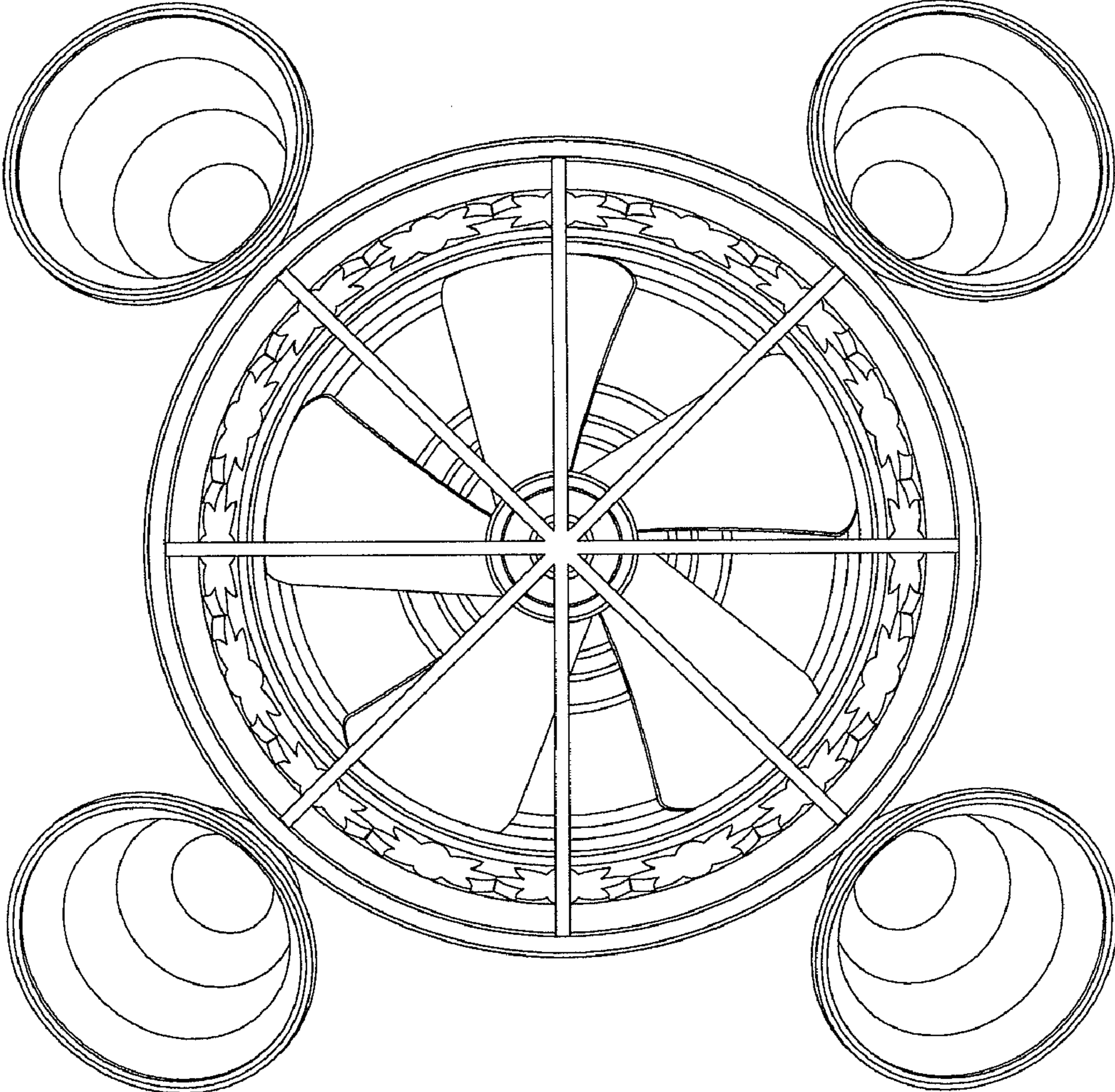


Fig. 3

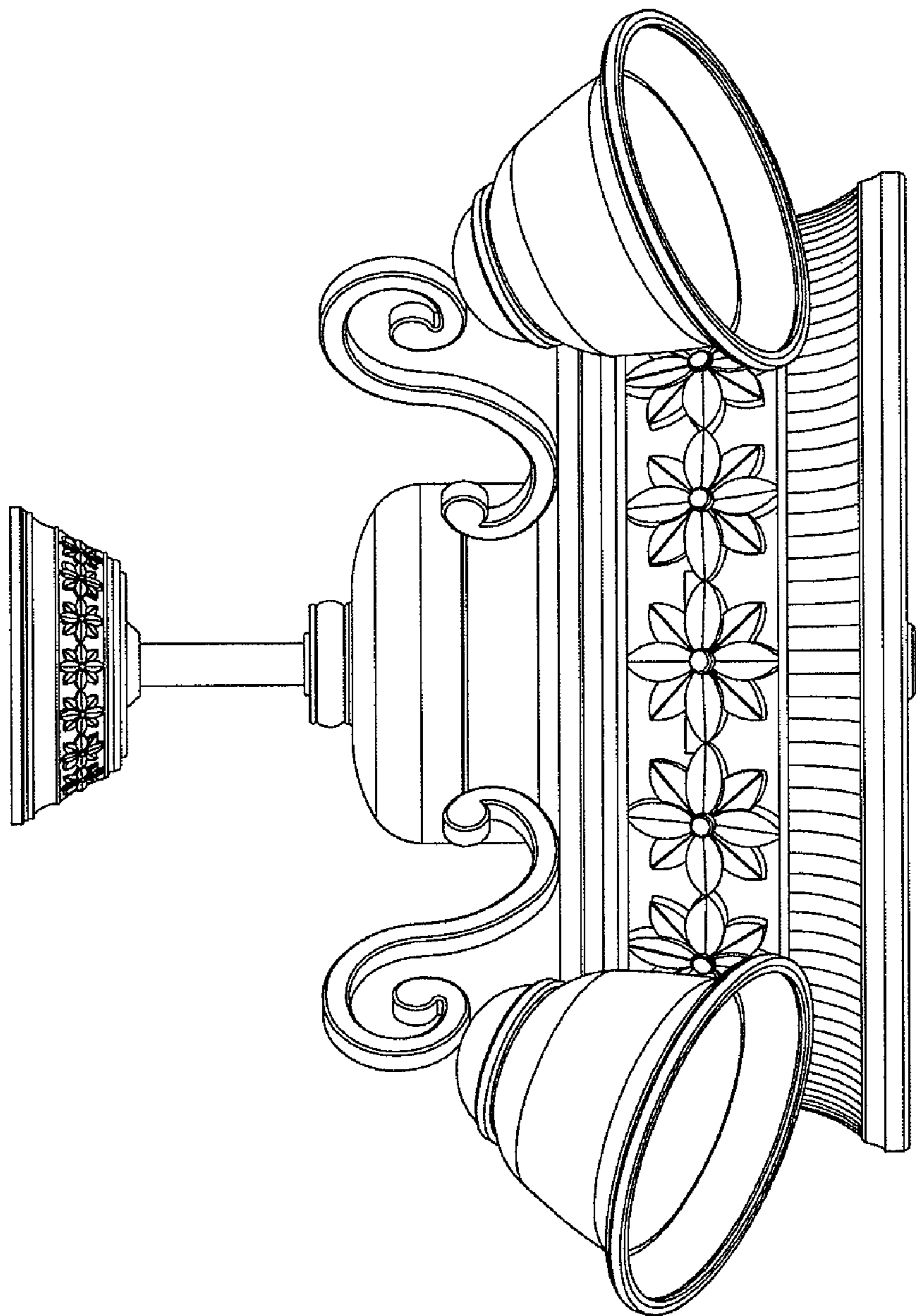


Fig. 4



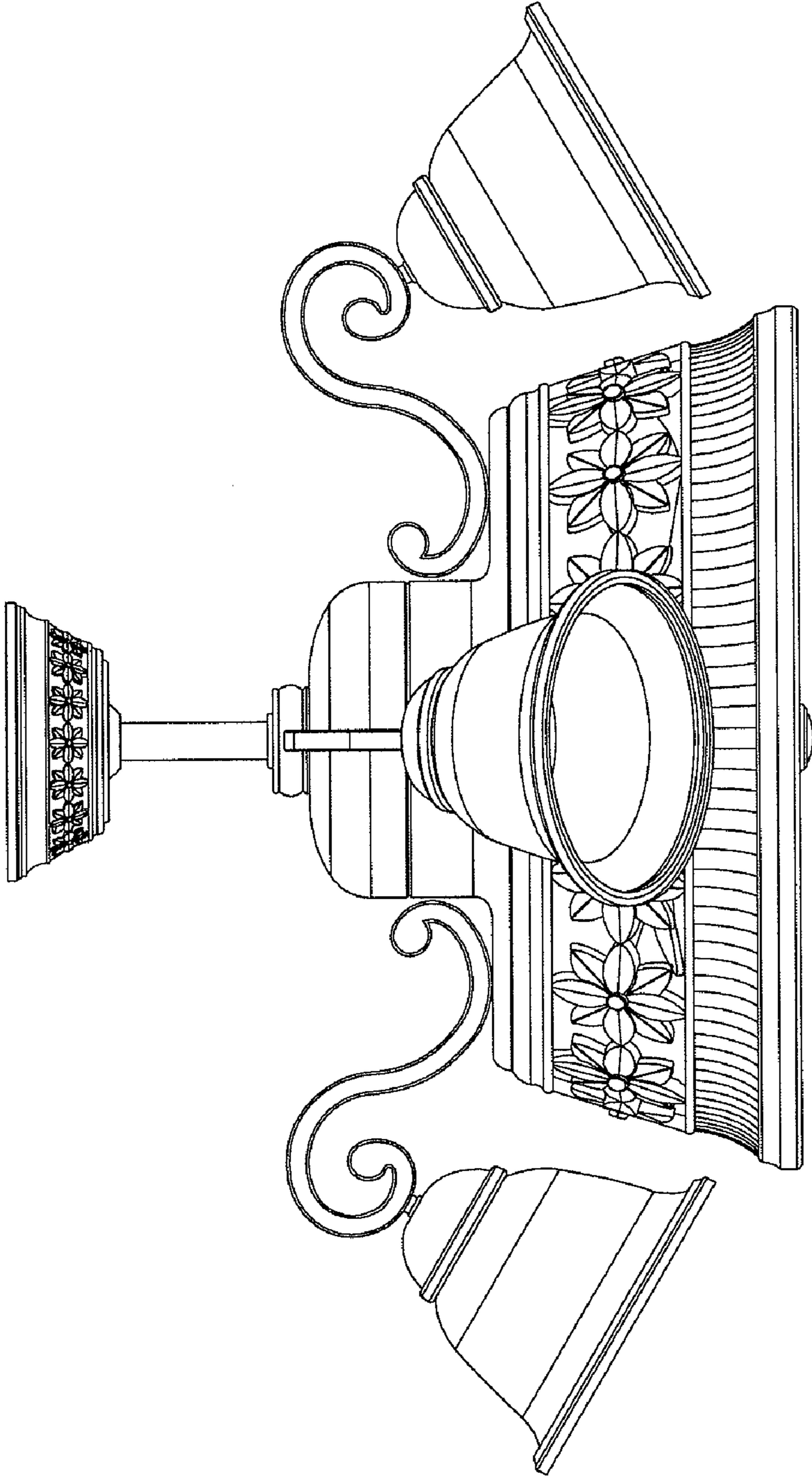


Fig. 5