



US00D605748S

(12) **United States Design Patent**  
**Gammack et al.**

(10) **Patent No.:** **US D605,748 S**

(45) **Date of Patent:** **\*\* \*Dec. 8, 2009**

- (54) **FAN**
- (75) Inventors: **Peter David Gammack**, Malmesbury (GB); **James Dyson**, Malmesbury (GB)
- (73) Assignee: **Dyson Limited**, Wiltshire (GB)
- (\*) Notice: This patent is subject to a terminal disclaimer.
- (\*\*) Term: **14 Years**
- (21) Appl. No.: **29/328,939**
- (22) Filed: **Dec. 4, 2008**

(30) **Foreign Application Priority Data**  
 Jun. 6, 2008 (GB) ..... 4007842

- (51) **LOC (9) Cl.** ..... **23-04**
- (52) **U.S. Cl.** ..... **D23/370**
- (58) **Field of Classification Search** ..... D23/382, D23/381, 370, 413, 411, 412; 416/244 R, 416/246, 247 R; D6/309

See application file for complete search history.

(56) **References Cited**

**U.S. PATENT DOCUMENTS**

- 1,767,060 A 6/1930 Ferguson
- D103,476 S 3/1937 Weber
- D115,344 S \* 6/1939 Chapman ..... D23/411
- 2,433,795 A 12/1947 Stokes
- 2,488,467 A 11/1949 De Lisio
- D206,973 S 2/1967 De Lisio
- 5,881,685 A 3/1999 Foss et al.
- D415,271 S \* 10/1999 Feer ..... D23/411
- 6,073,881 A 6/2000 Chen
- D429,808 S \* 8/2000 Krauss et al. .... D23/411
- 6,123,618 A 9/2000 Day
- D435,899 S \* 1/2001 Melwani ..... D23/382
- D485,895 S \* 1/2004 Melwani ..... D23/370
- D539,414 S 3/2007 Russak et al.
- 2009/0060710 A1 3/2009 Gammack et al.
- 2009/0060711 A1 3/2009 Gammack et al.

**FOREIGN PATENT DOCUMENTS**

DE 1 291 090 3/1969

DE	195 10 397	9/1996
GB	1 501 473	2/1978
GB	2 236 804	4/1991
GB	2 242 935	10/1991
JP	56-167897	12/1981

**OTHER PUBLICATIONS**

GB Search Report directed to related application GB0717151.5 mailed on Dec. 17, 2007; (2 pages).  
 GB Search Report directed to related application GB0717155.6 mailed on Dec. 19, 2007; (2 pages).  
 GB Search Report directed to related application GB0717154.9 mailed on Dec. 17, 2007; (2 pages).  
 GB Search Report directed to related application GB0717148.1 mailed on Dec. 20, 2007; (1 page).  
 International Search Report and Written Opinion mailed Oct. 29, 2008, directed to related International Patent Application No. PCT/GB2008/002891; (11 pages).  
 International Search Report and Written Opinion mailed Oct. 31, 2008, directed to related International Patent Application No. PCT/GB2008/002874; (9 pages).

\* cited by examiner

*Primary Examiner*—Lisa P Lichtenstein  
 (74) *Attorney, Agent, or Firm*—Morrison & Foerster LLP

(57) **CLAIM**

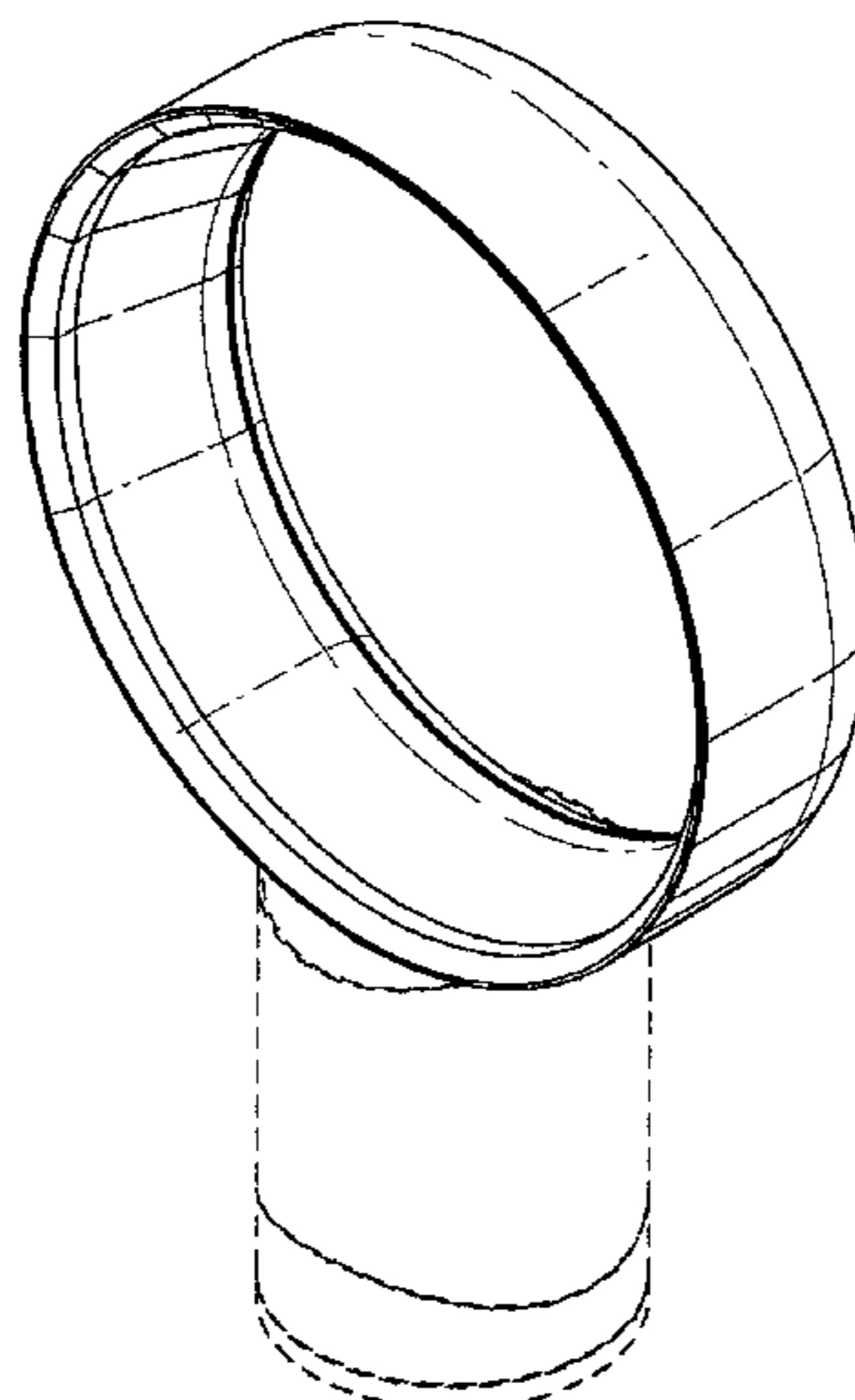
We claim the ornamental design for a fan, as shown and described.

**DESCRIPTION**

FIG. 1 is a perspective view of a fan showing our new design;  
 FIG. 2 is a front view thereof;  
 FIG. 3 is a rear view thereof;  
 FIG. 4 is a side view thereof;  
 FIG. 5 is a top plan view thereof; and,  
 FIG. 6 is an underneath plan view thereof.

The features of the design as claimed by applicants are shown in bold lines. The features shown in dotted lines are not claimed and are provided to indicate the context of the design.

**1 Claim, 4 Drawing Sheets**



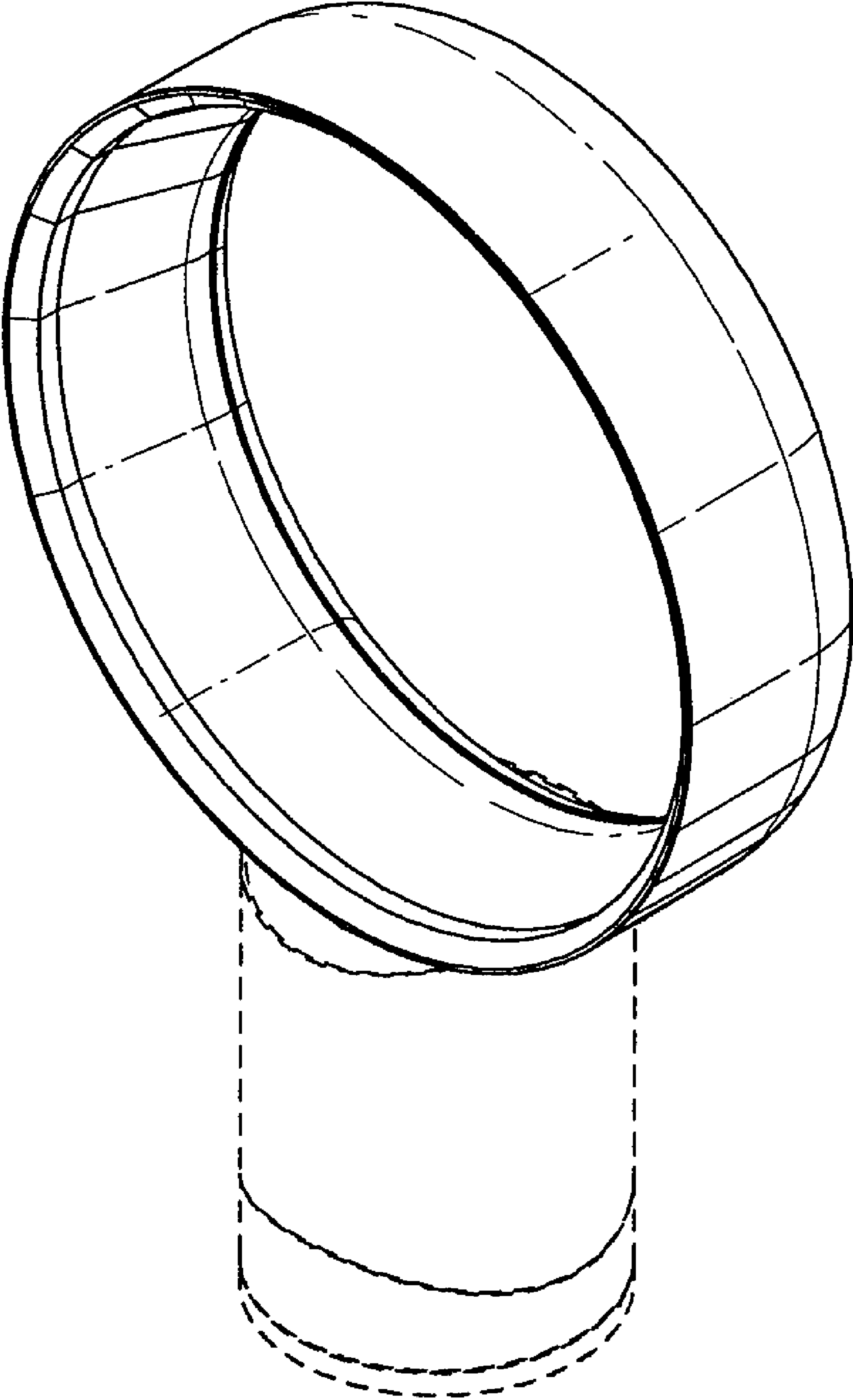


FIG. 1

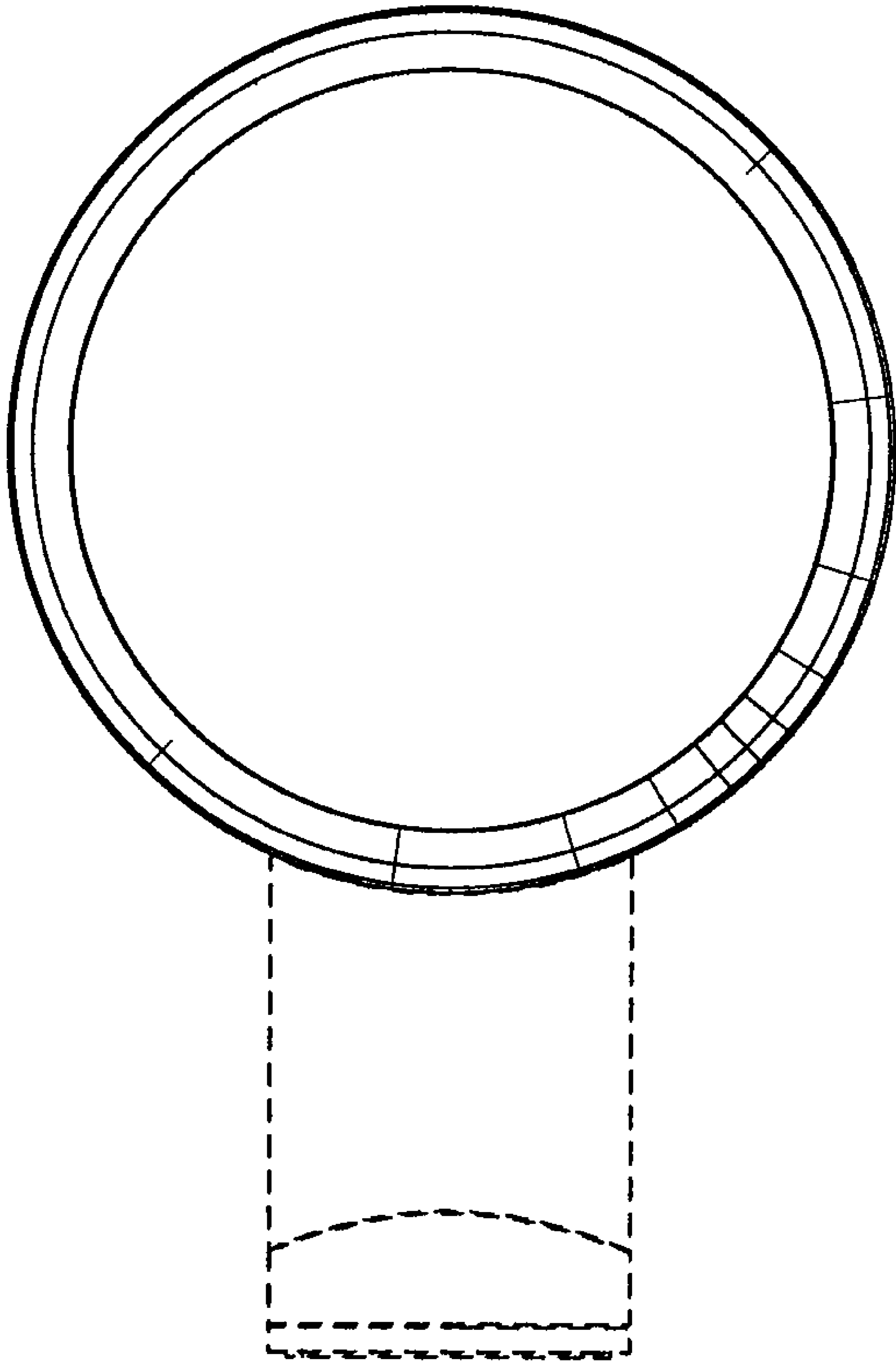


FIG. 2

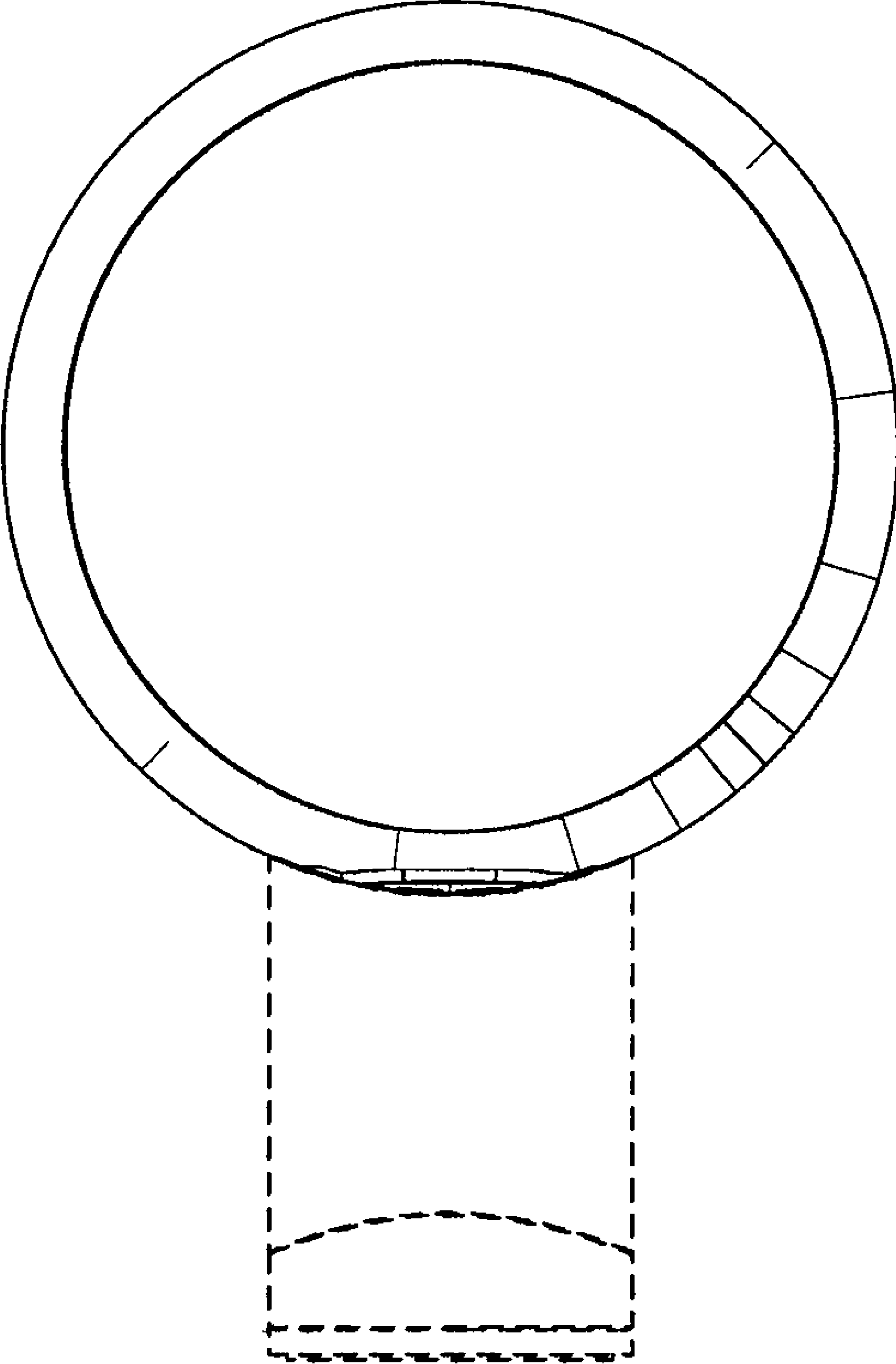


FIG. 3

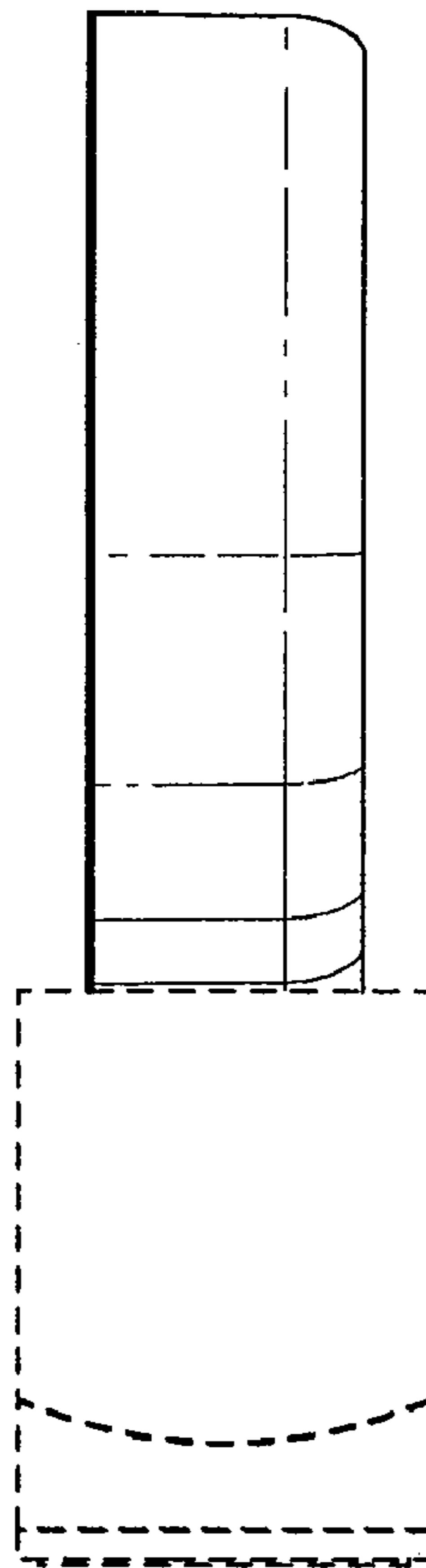


FIG. 4

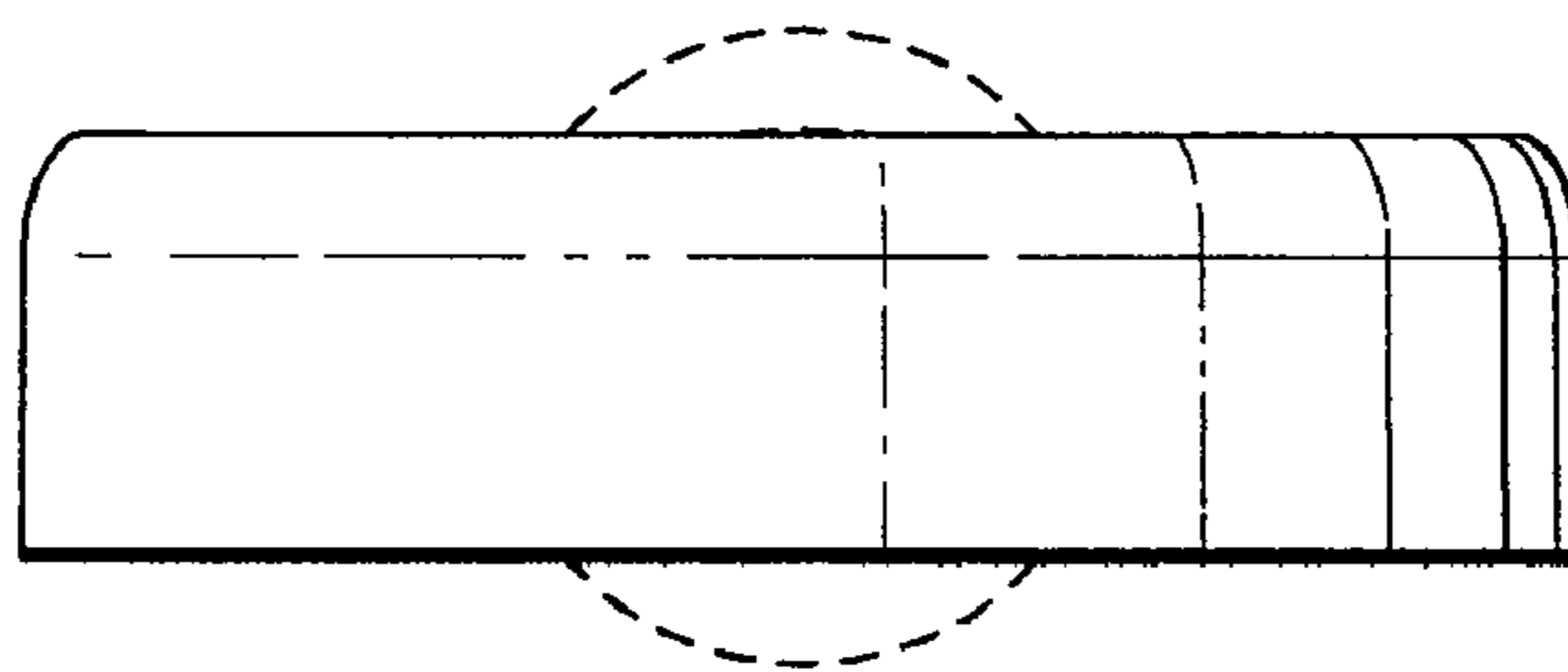


FIG. 5

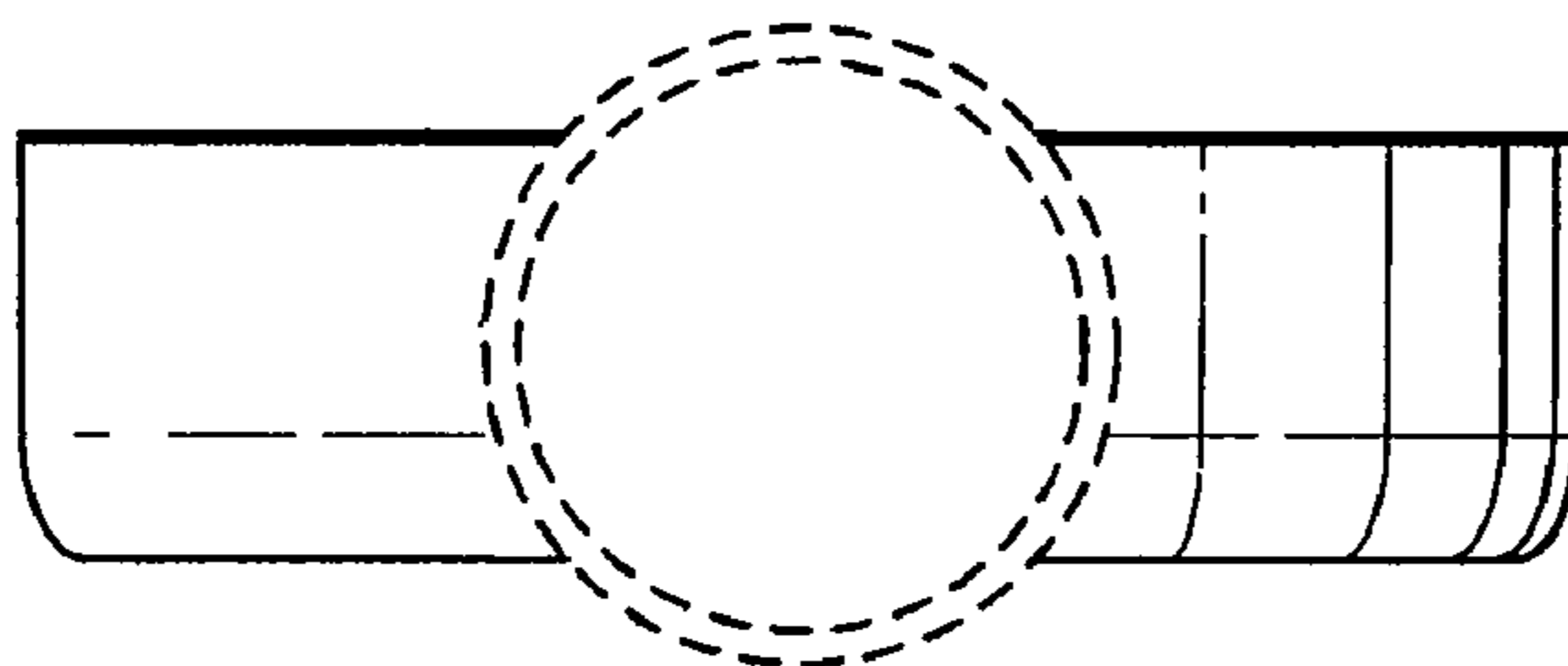


FIG. 6