



US00D605746S

(12) **United States Design Patent**
Butler et al.

(10) **Patent No.:** **US D605,746 S**
(45) **Date of Patent:** **** Dec. 8, 2009**

(54) **AIR FRESHENER DEVICE**

(75) Inventors: **Martin Butler**, Hull (GB); **Andrea Duddington**, Hull (GB); **Benjamin David Hindle**, Hull (GB); **Laurie Labesque**, Parsippany, NJ (US)

(73) Assignee: **Reckitt Benckiser (UK) Limited**, Slough, Berkshire (GB)

(**) Term: **14 Years**

(21) Appl. No.: **29/334,841**

(22) Filed: **Apr. 2, 2009**

Related U.S. Application Data

(62) Division of application No. 29/323,127, filed on Aug. 19, 2008, now Pat. No. Des. 596,732.

(30) **Foreign Application Priority Data**

Feb. 20, 2008 (EM) 000884655-0001
Feb. 20, 2008 (EM) 000884655-0002
Feb. 20, 2008 (EM) 000884655-0003

(51) **LOC (9) Cl.** **28-99**

(52) **U.S. Cl.** **D23/366**

(58) **Field of Classification Search** D23/355-369;
261/DIG. 17, DIG. 42, DIG. 65, DIG. 88,
261/DIG. 89; 239/34-36, 44-45, 53-54,
239/56-57, 60, 136, 152, 302, 326; 392/386,
392/390, 392, 394, 395; D28/5, 6
See application file for complete search history.

(56) **References Cited**

U.S. PATENT DOCUMENTS

1,043,159 A * 11/1912 Sleeper 239/44

2,471,949 A *	5/1949	Gilowitz	239/44
4,413,779 A *	11/1983	Santini	239/45
4,419,326 A *	12/1983	Santini	422/4
4,739,928 A *	4/1988	O'Neil	239/45
D434,481 S *	11/2000	Bornstein et al.	D23/360
D438,606 S *	3/2001	Jackson	D23/355
D439,318 S *	3/2001	Jackson	D23/355
D439,644 S *	3/2001	Jackson	D23/355
6,412,494 B1 *	7/2002	Bloom, Jr.	131/273
6,938,833 B2 *	9/2005	Chen	239/44
D513,479 S *	1/2006	Behrens	D11/144
7,055,764 B1 *	6/2006	Martinez et al.	239/145
7,281,670 B2 *	10/2007	Lakatos et al.	239/44
D558,319 S *	12/2007	Ishiguro et al.	D23/356
7,303,143 B2 *	12/2007	Davis et al.	239/44
D581,035 S *	11/2008	Conway et al.	D23/366
2003/0098362 A1 *	5/2003	Chuang	239/44
2005/0167521 A1 *	8/2005	Glasser	239/34
2006/0231641 A1 *	10/2006	Uchiyama et al.	239/34
2006/0233538 A1 *	10/2006	Tollens et al.	392/390
2008/0308648 A1 *	12/2008	Pesu	239/44

* cited by examiner

Primary Examiner—Sandra Snapp

(74) *Attorney, Agent, or Firm*—Norris, McLaughlin & Marcus

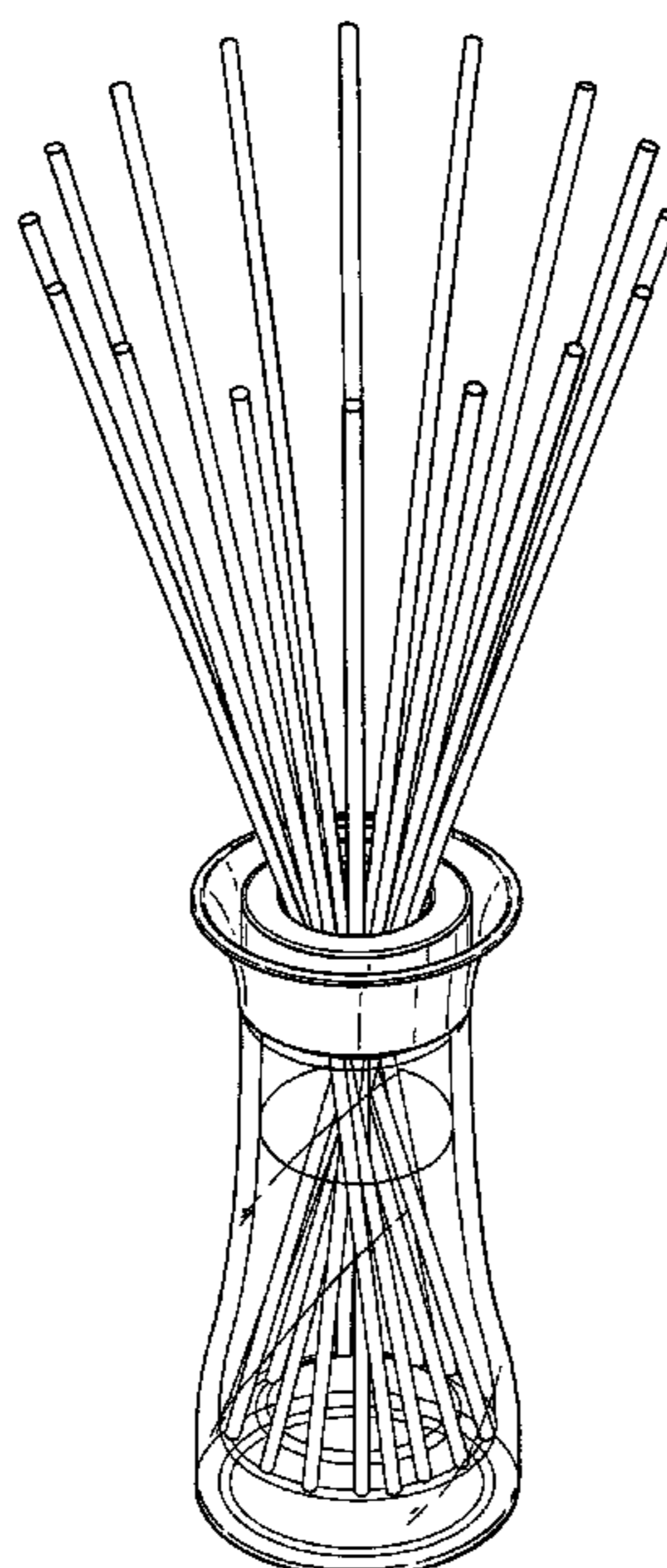
(57) **CLAIM**

The ornamental design for an air freshener device, as shown and described.

DESCRIPTION

FIG. 1 is a front perspective view of our air freshener device; FIG. 2 is a side elevation view thereof; FIG. 3 is a plan view of the top thereof; and, FIG. 4 is a plan view of the bottom thereof.

1 Claim, 3 Drawing Sheets



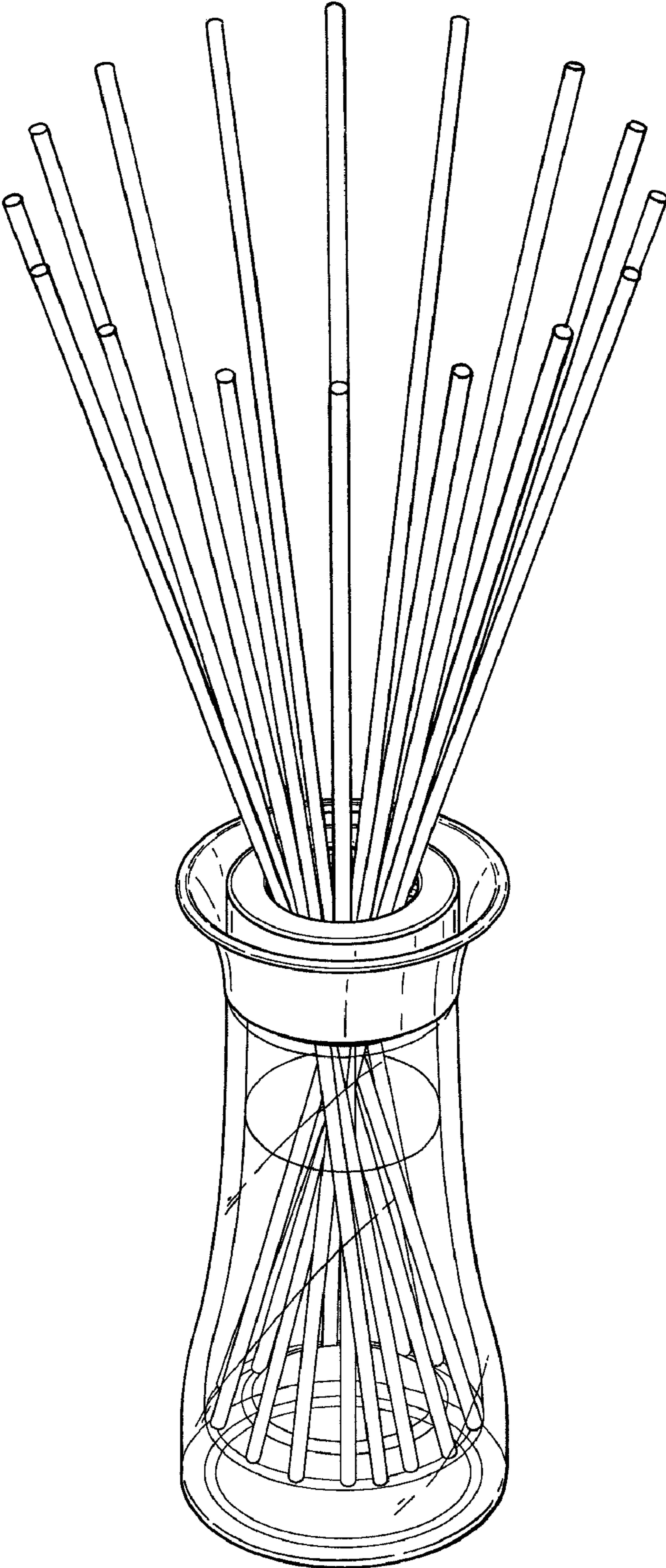


Fig.1.

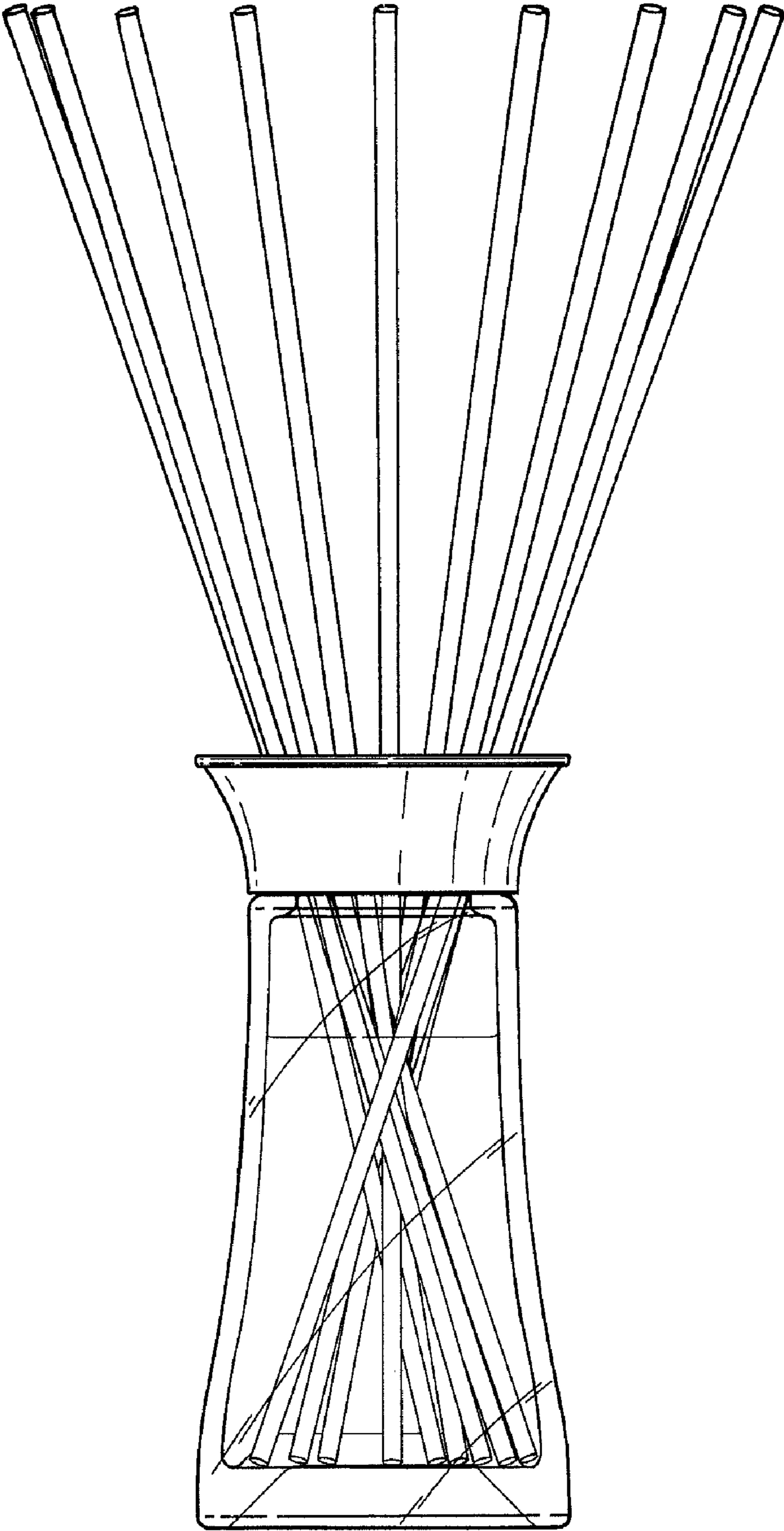


Fig.2.

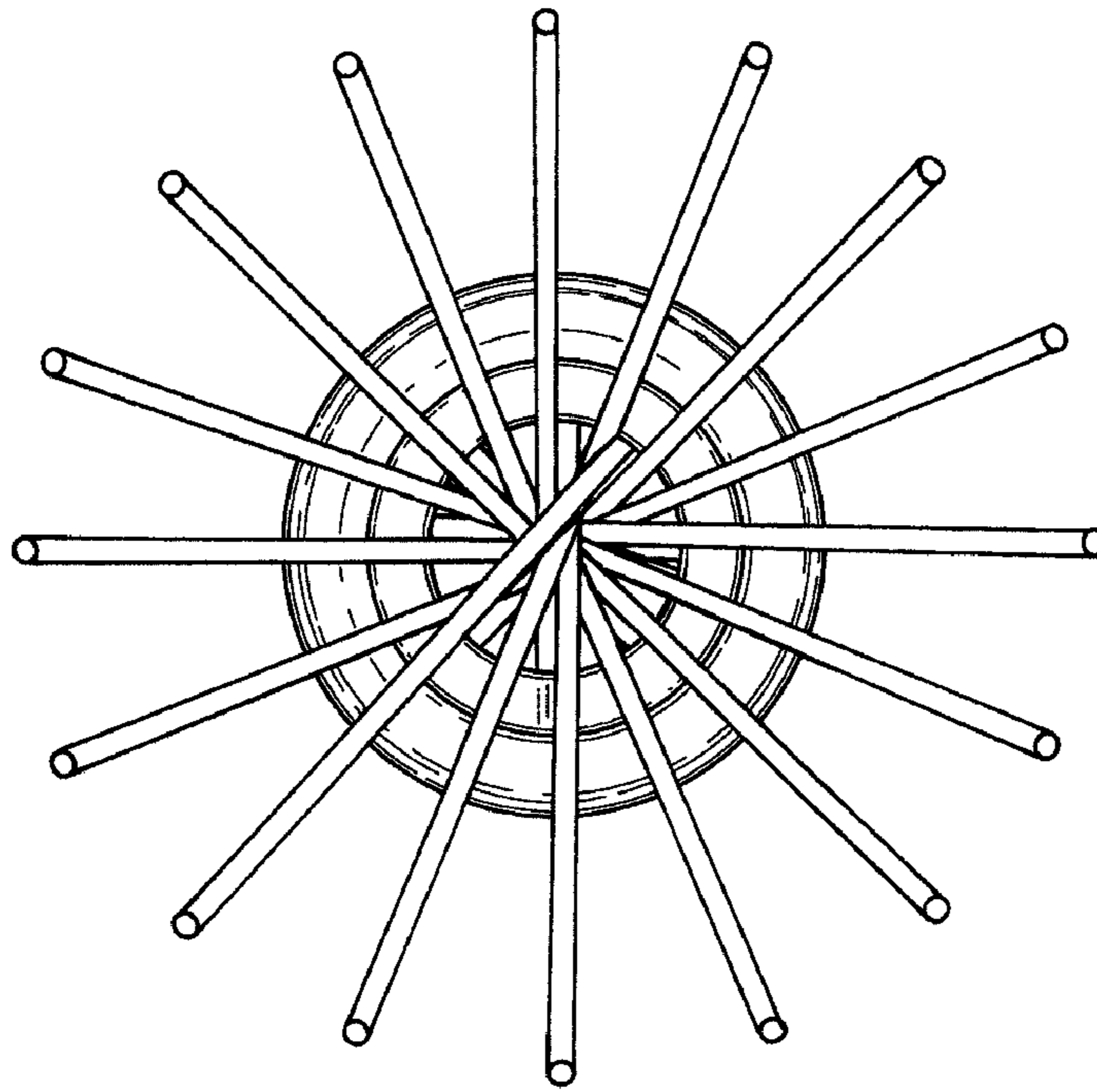


Fig.3.

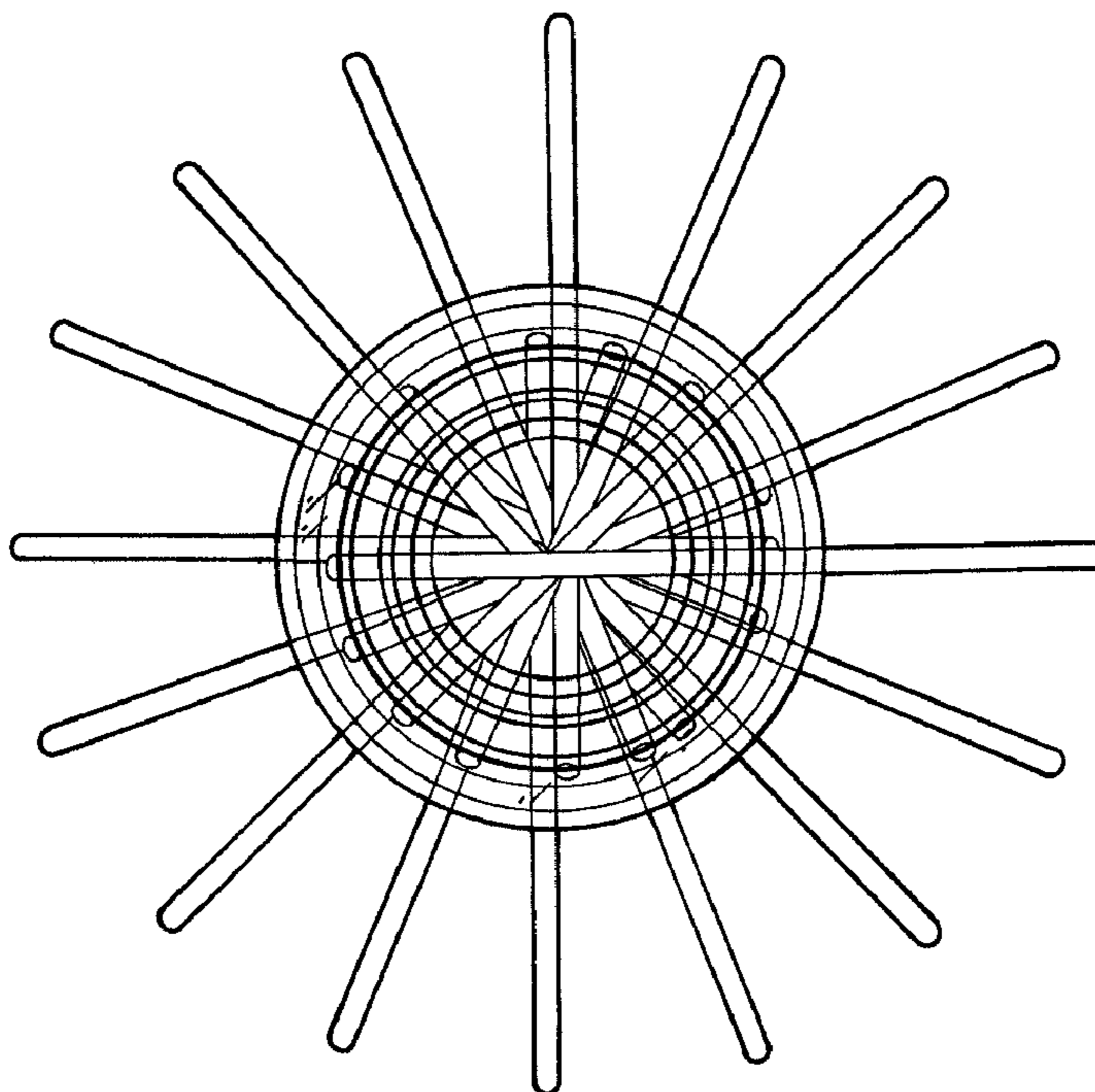


Fig.4.