



US00D605739S

(12) **United States Design Patent**
Henry et al.

(10) **Patent No.:** **US D605,739 S**
(45) **Date of Patent:** **** Dec. 8, 2009**

(54) **GASKET**

(75) Inventors: **Vance W. Henry**, Easton, PA (US);
Scott D. Madara, Nazareth, PA (US)

(73) Assignee: **Victaulic Company**, Easton, PA (US)

(**) Term: **14 Years**

(21) Appl. No.: **29/331,382**

(22) Filed: **Jan. 23, 2009**

(51) **LOC (9) Cl.** **23-01**

(52) **U.S. Cl.** **D23/269**

(58) **Field of Classification Search** D23/259–269,
D23/249; 137/516.13–516.27; 251/368;
277/602, 608, 625–626; 285/104–105, 337
See application file for complete search history.

(56) **References Cited**

U.S. PATENT DOCUMENTS

1,899,695	A	2/1933	Johnson	
3,304,050	A	2/1967	Fawkes	
3,351,352	A	11/1967	Blakely et al.	
3,540,696	A	11/1970	Fawkes et al.	
3,544,066	A	12/1970	Fawkes et al.	
3,834,744	A *	9/1974	Masatchi	277/607
3,993,332	A *	11/1976	Borodin et al.	285/94
6,312,025	B1 *	11/2001	Wolfsdorf	285/369
6,938,879	B2	9/2005	Bancroft et al.	
D526,705	S	8/2006	Wortmann et al.	
D527,445	S	8/2006	Wortmann et al.	
D529,145	S	9/2006	Wortmann et al.	
D529,146	S	9/2006	Wortmann et al.	
D534,253	S *	12/2006	Sandman et al.	D23/269
D536,071	S	1/2007	Wortmann et al.	
2005/0253383	A1	11/2005	Gibb et al.	
2008/0018057	A1 *	1/2008	Gibb et al.	277/608
2008/0272595	A1 *	11/2008	Gibb et al.	285/337

* cited by examiner

Primary Examiner—T. Chase Nelson
Assistant Examiner—Eric L Goodman
(74) *Attorney, Agent, or Firm*—Ballard Spahr LLP

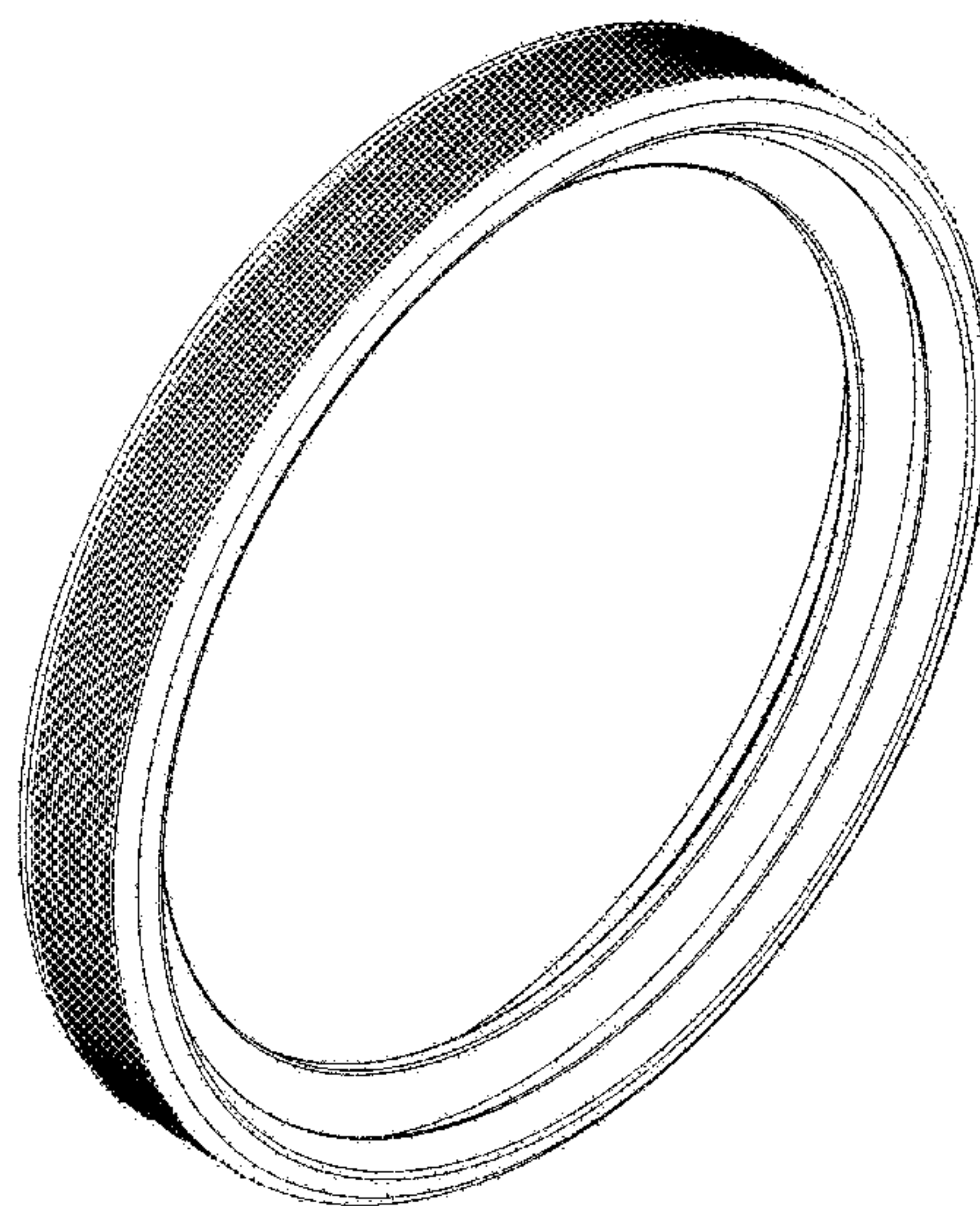
(57) **CLAIM**

I claim the ornamental design for a gasket, as shown and described.

DESCRIPTION

FIG. 1 is an isometric view of my design for a gasket;
 FIG. 2 is a front view of the design for the gasket shown in FIG. 1, the rear view being identical;
 FIG. 3 is a left side view of the design for the gasket shown in FIG. 1, the right side view and the top and bottom views being identical;
 FIG. 4 is a cross sectional view along line 4—4 of the design for the gasket as shown in FIG. 2;
 FIG. 5 is an isometric view of a second embodiment of my design for a gasket;
 FIG. 6 is a front view of the design for the gasket shown in FIG. 5, the rear view being identical;
 FIG. 7 is a left side view of the design for the gasket shown in FIG. 5, the right side view and the top and bottom views being identical;
 FIG. 8 is a cross sectional view along line 8—8 of the design for the gasket as shown in FIG. 6;
 FIG. 9 is an isometric view of a third embodiment of my design for a gasket;
 FIG. 10 is a front view of the design for the gasket shown in FIG. 9, the rear view being identical;
 FIG. 11 is a left side view of the design for the gasket shown in FIG. 9, the right side view and the top and bottom views being identical; and,
 FIG. 12 is a cross sectional view along line 12—12 of the design for the gasket as shown in FIG. 10.

1 Claim, 12 Drawing Sheets



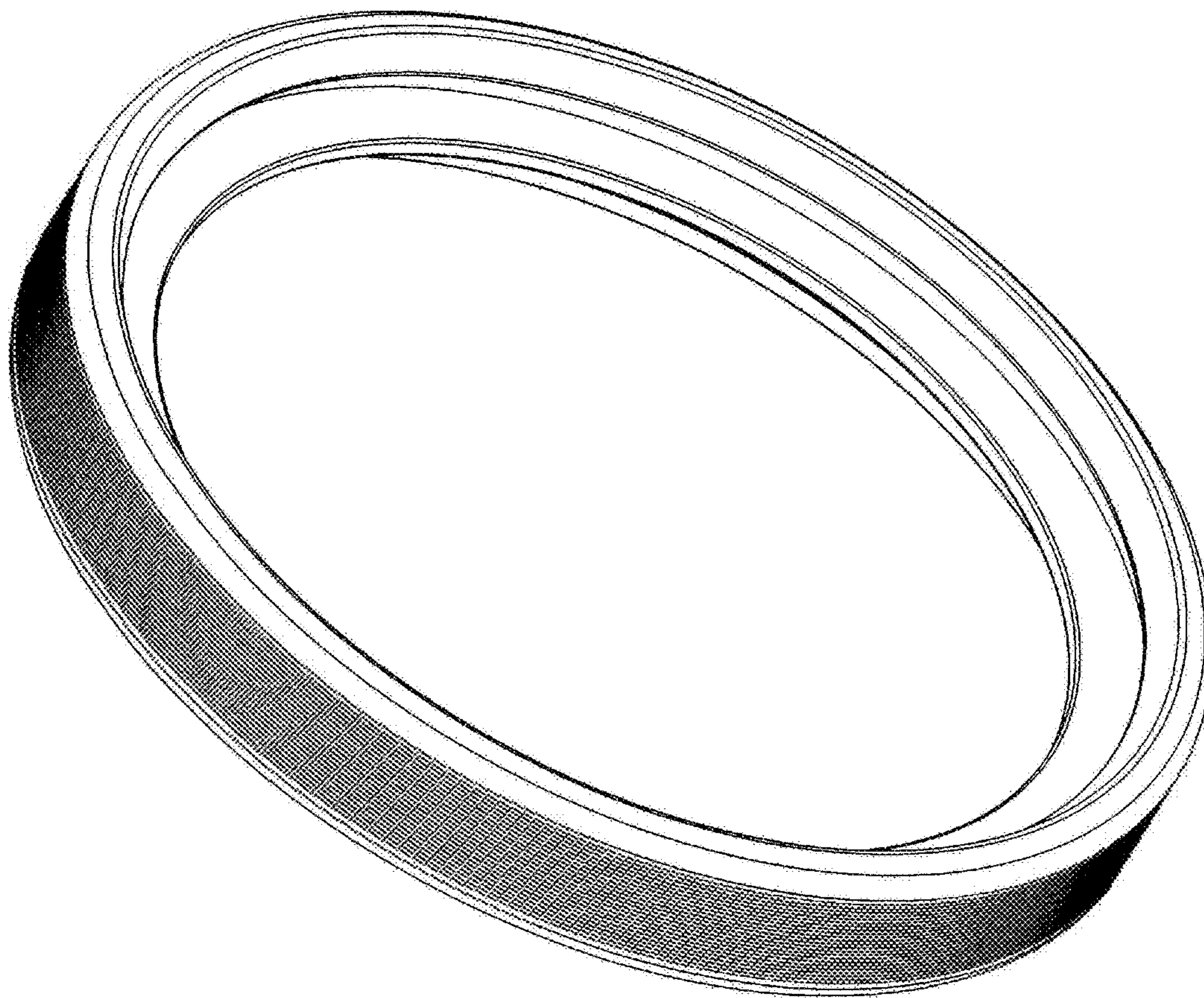


FIG. 1

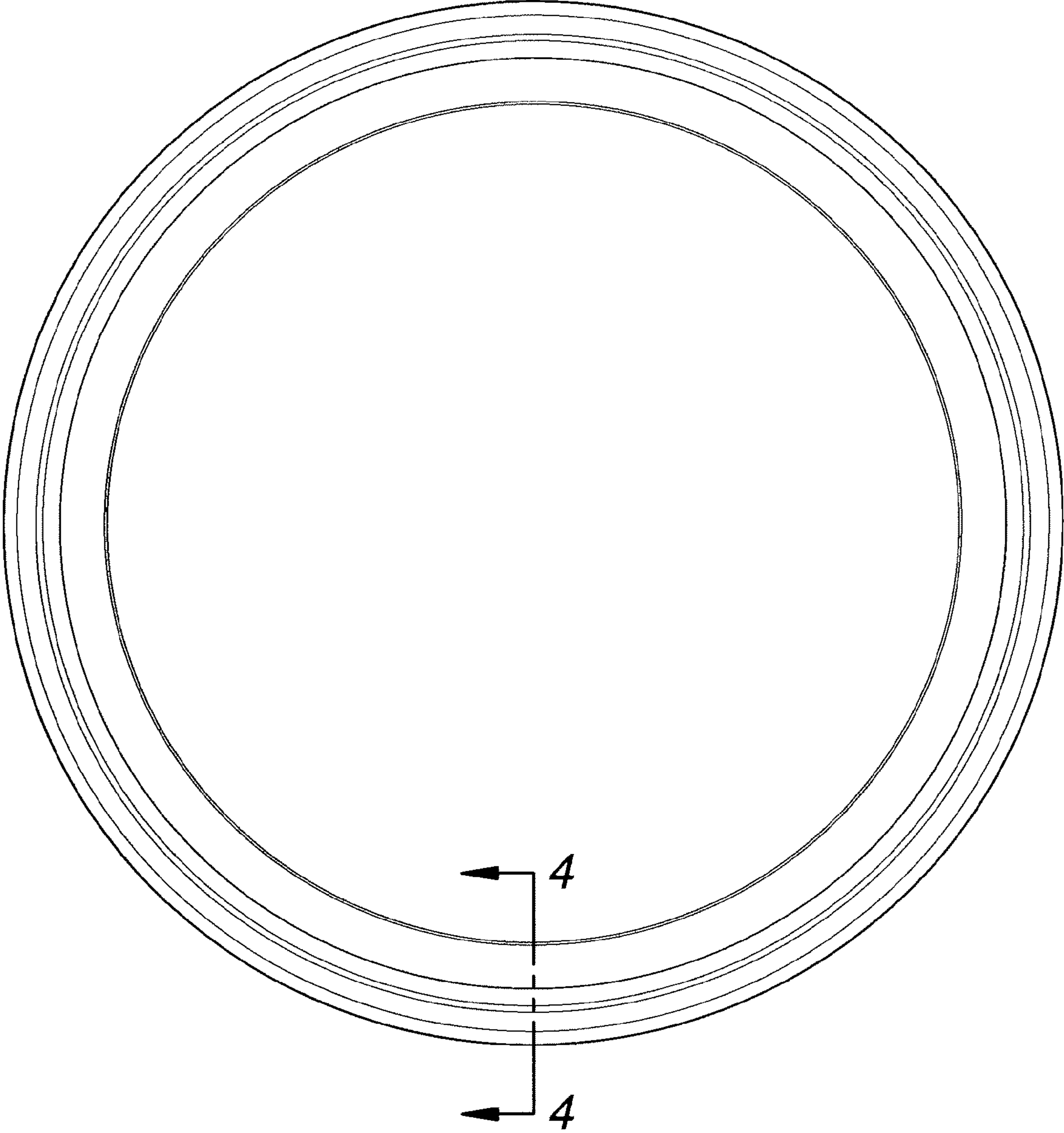


FIG. 2

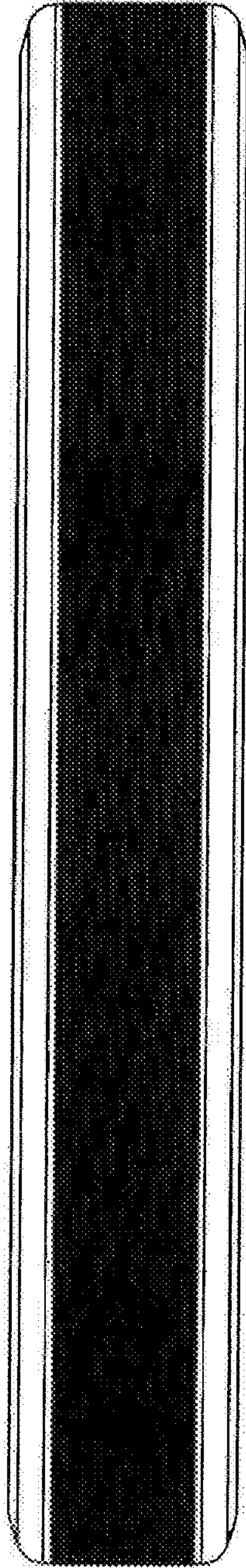


FIG.3

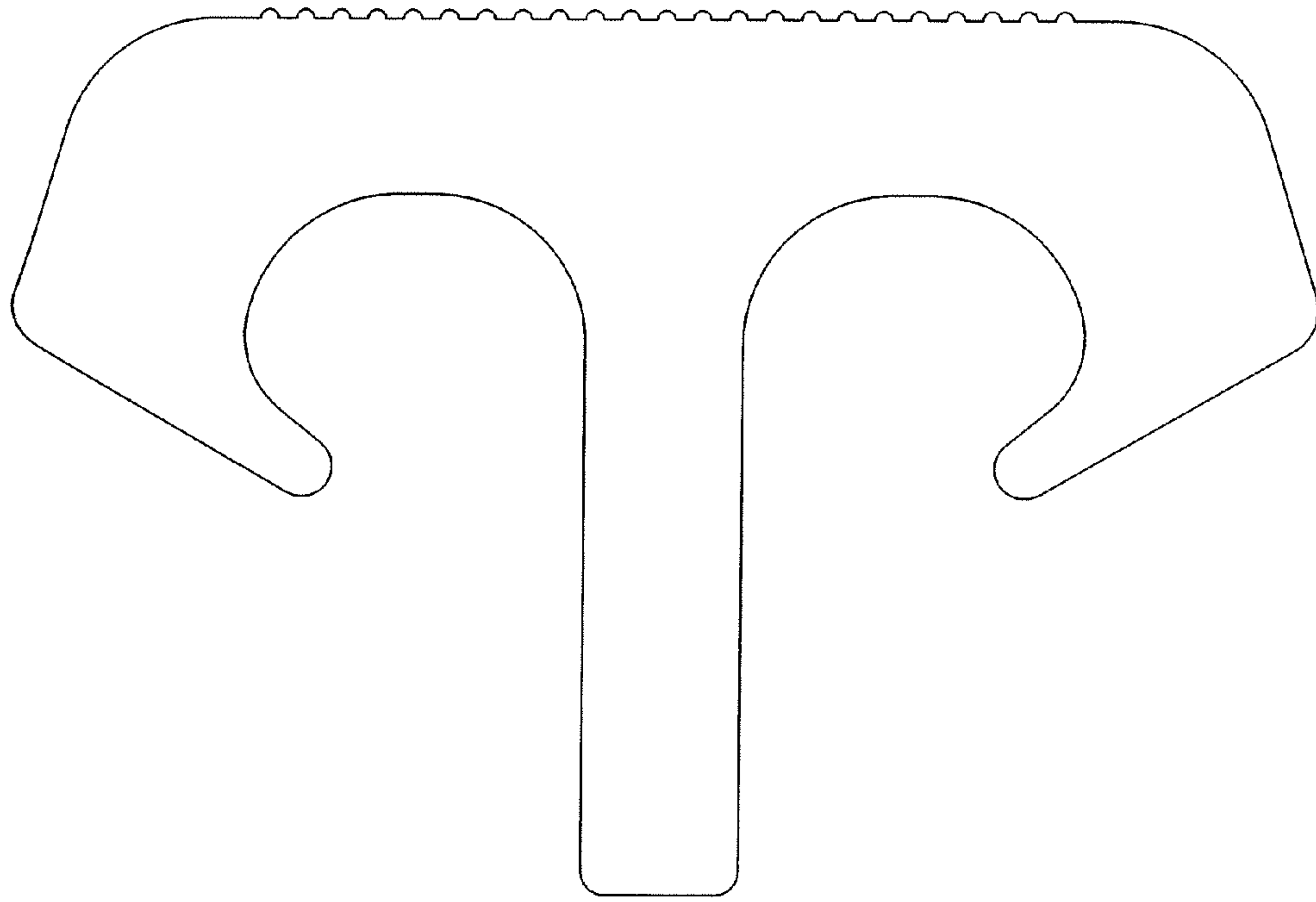


FIG. 4

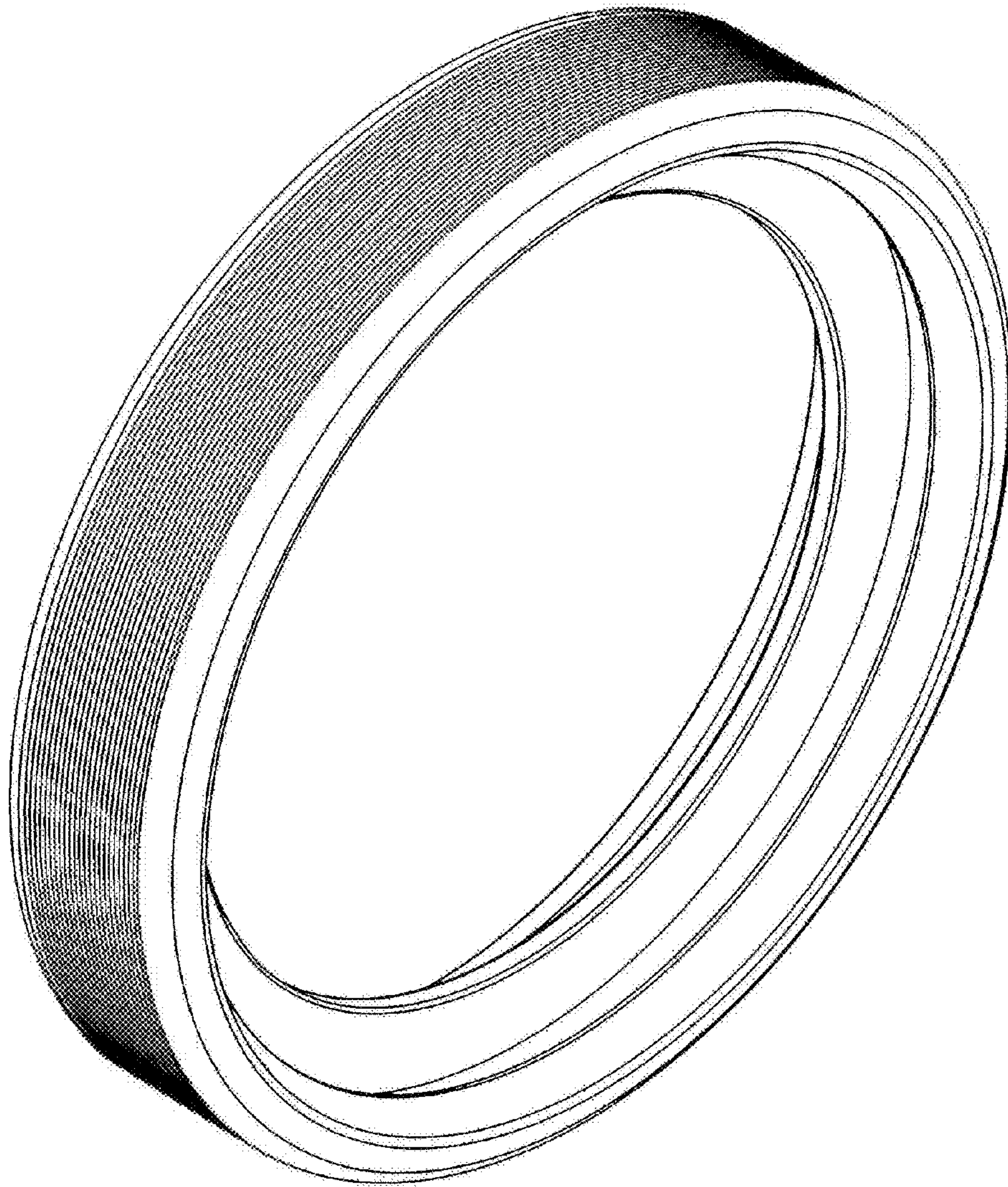


FIG.5

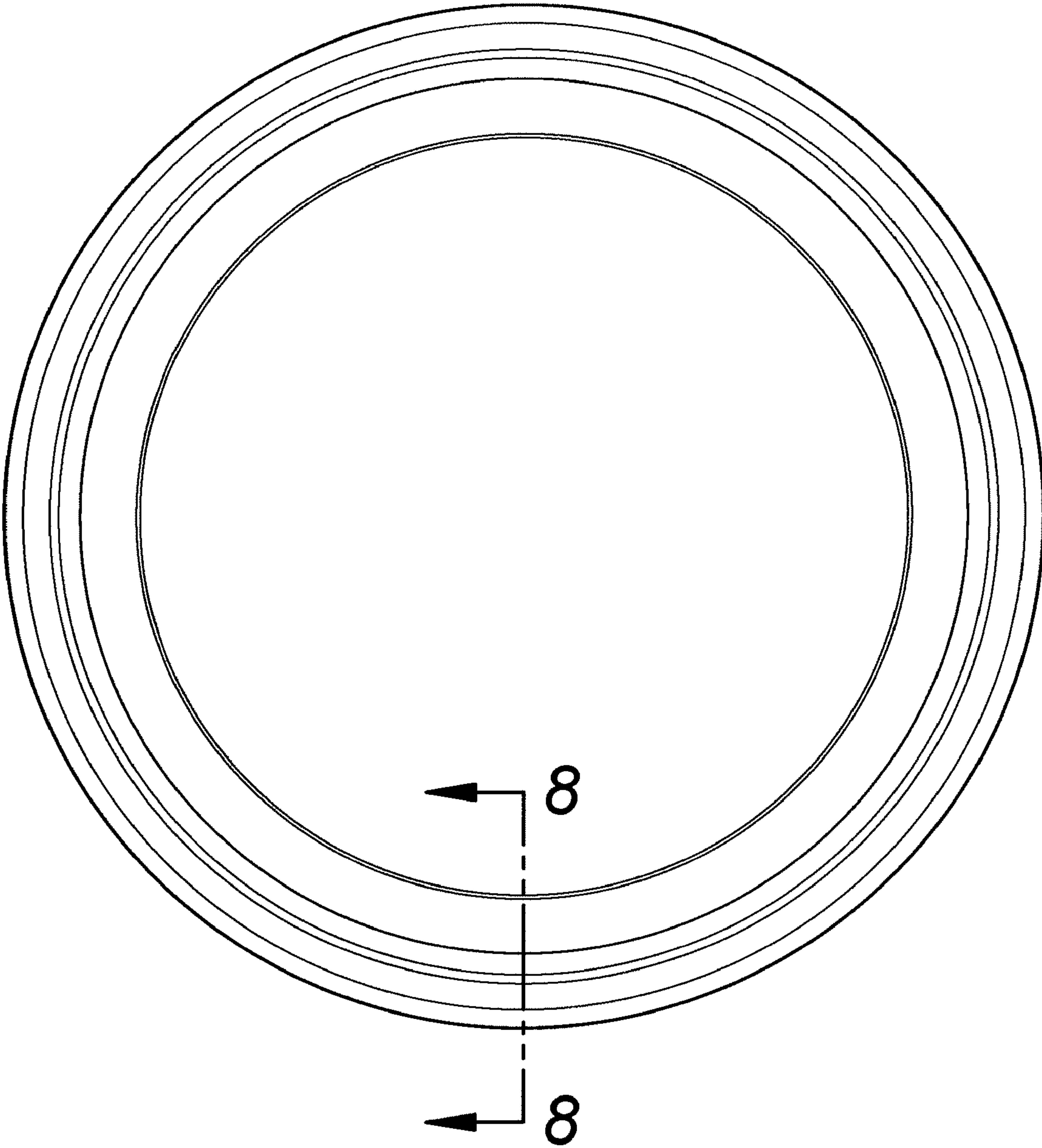


FIG. 6

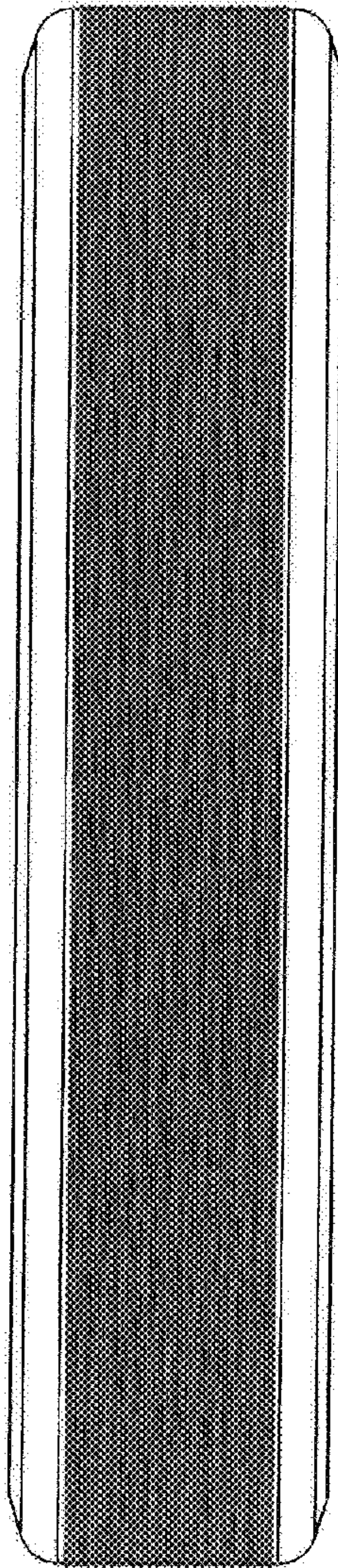


FIG. 7

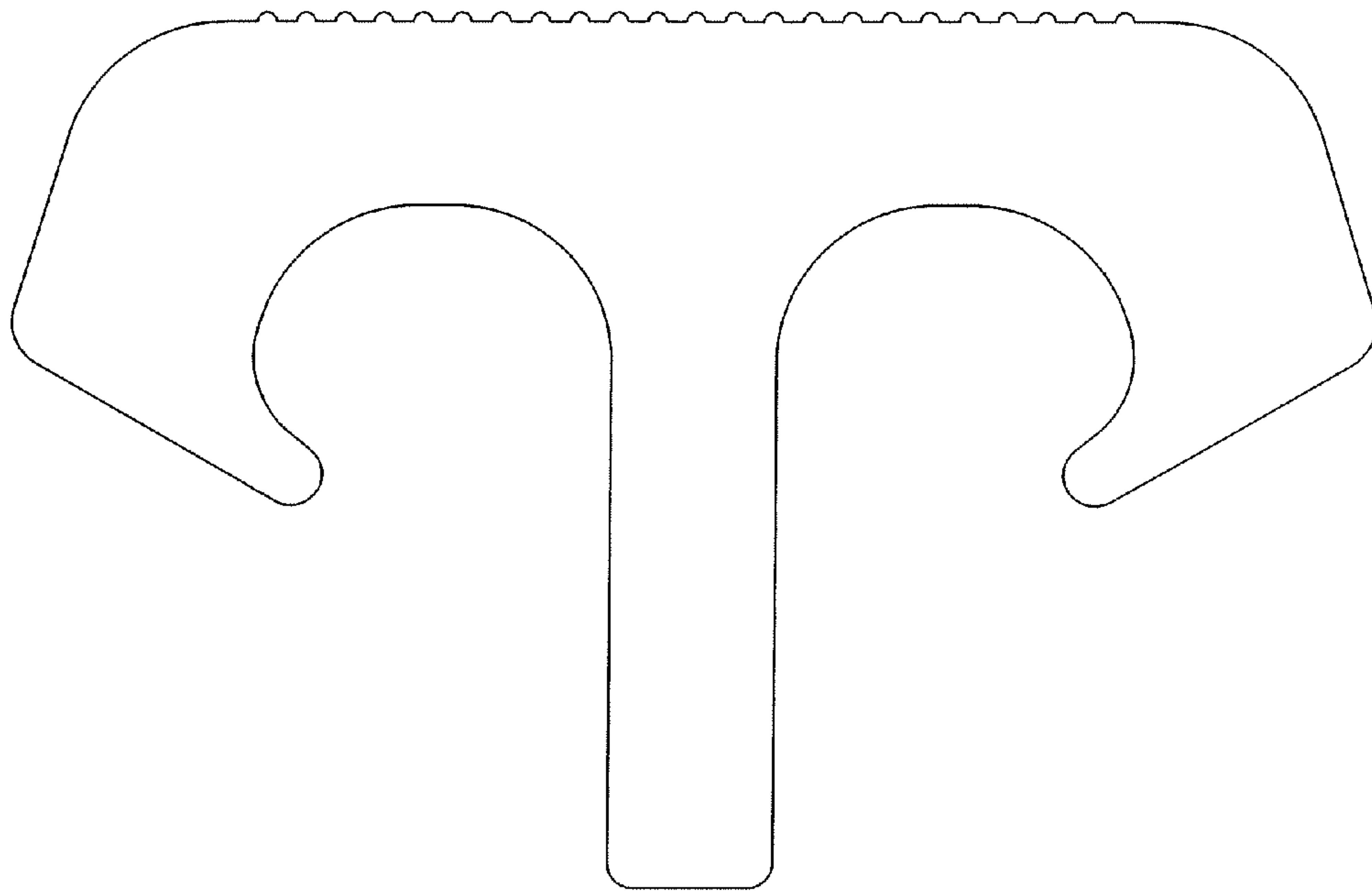


FIG. 8

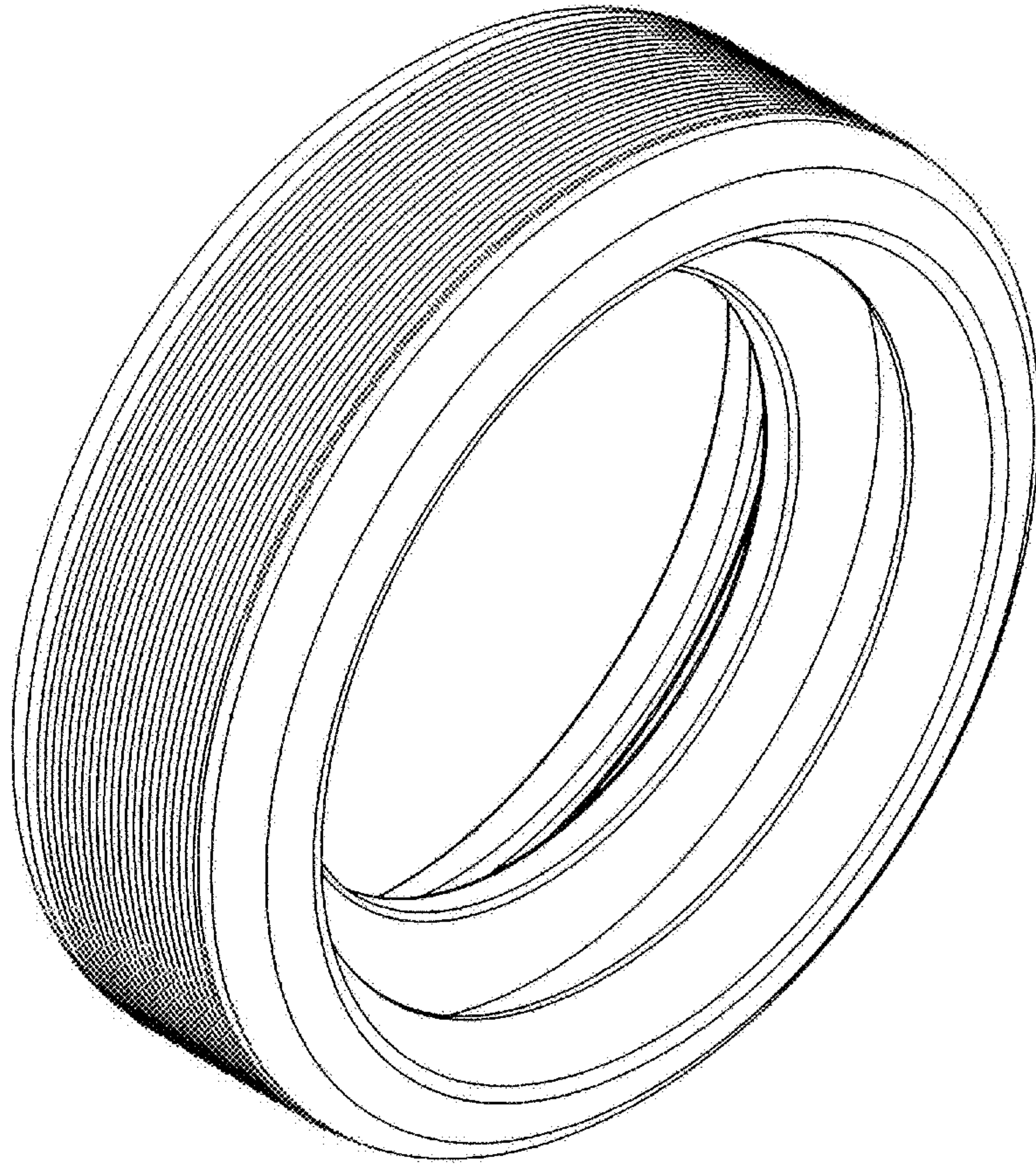


FIG. 9

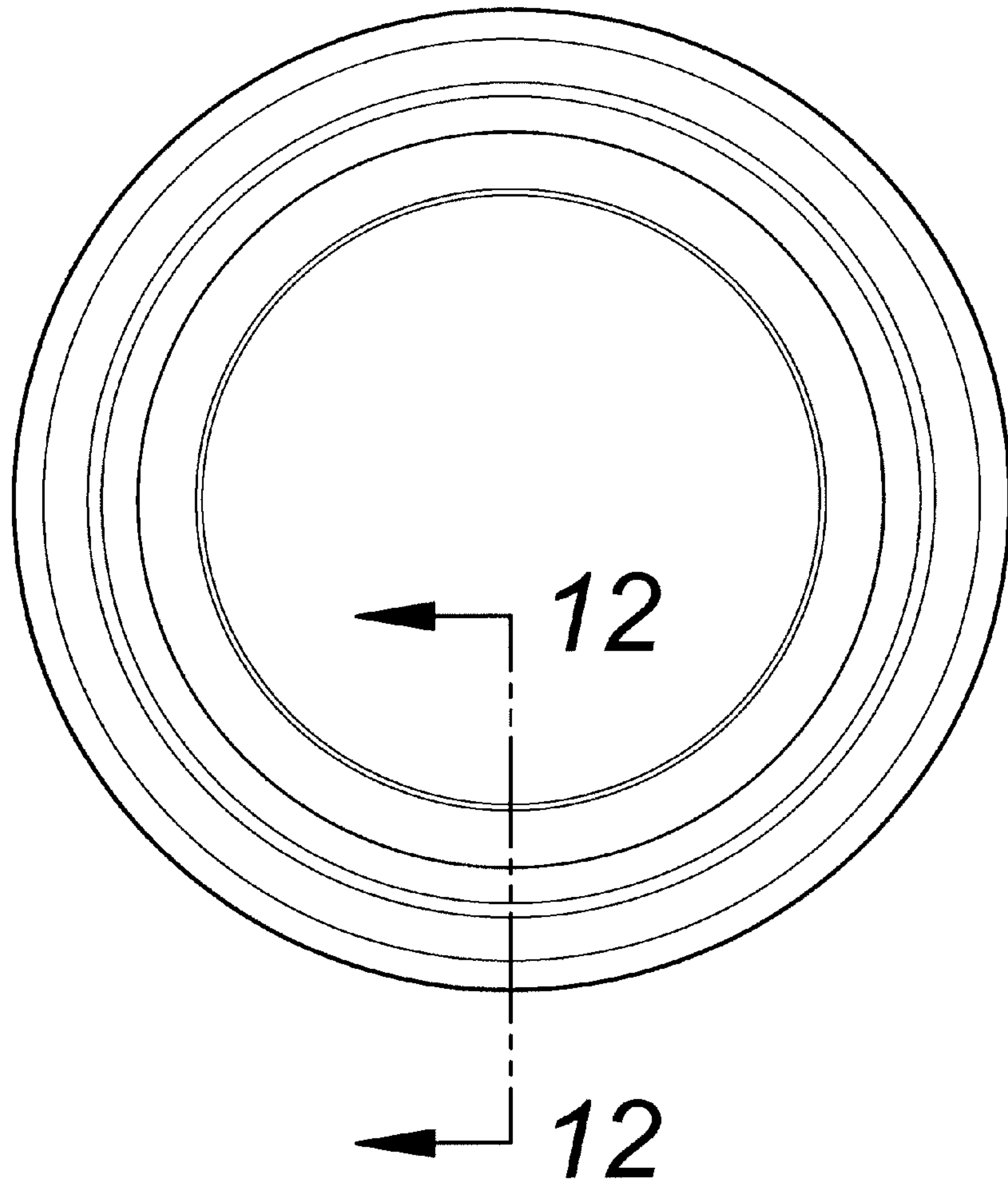


FIG. 10

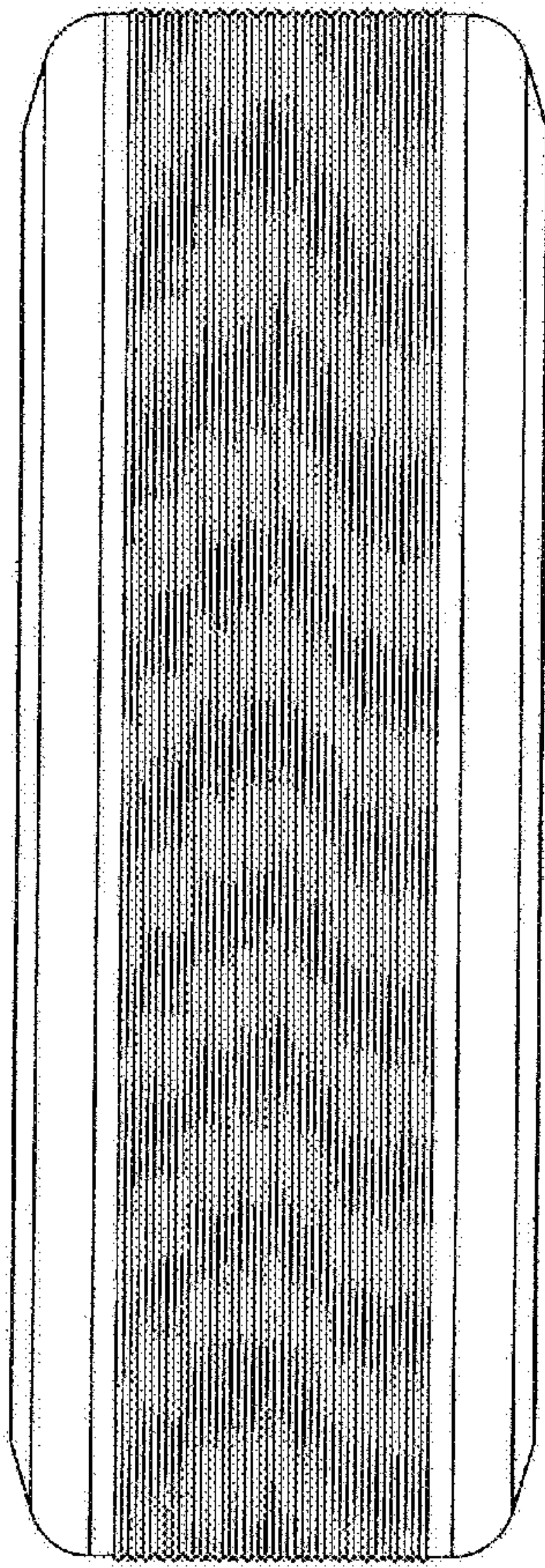


FIG. 11

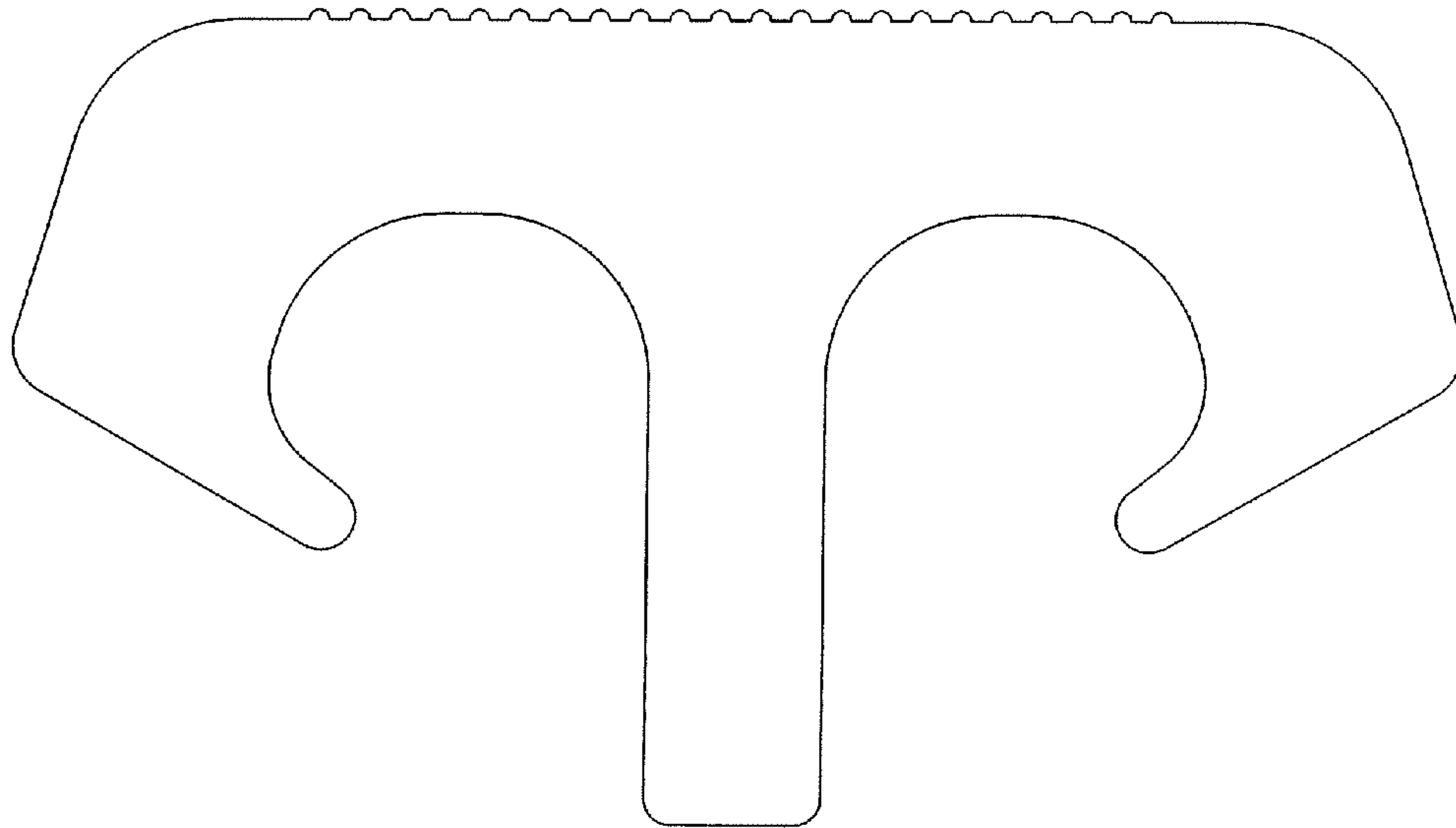


FIG. 12