



US00D605736S

(12) **United States Design Patent**
Porter et al.

(10) **Patent No.:** **US D605,736 S**

(45) **Date of Patent:** **** *Dec. 8, 2009**

(54) **REVERSED V-INTERFACE COUPLING**

(75) Inventors: **Michael V. Porter**, Easton, PA (US);
Torrey G. Sipos, Catasauqua, PA (US);
William A. Nagle, Laureldale, PA (US)

(73) Assignee: **Victaulic Company**, Easton, PA (US)

(*) Notice: This patent is subject to a terminal disclaimer.

(**) Term: **14 Years**

(21) Appl. No.: **29/331,497**

(22) Filed: **Jan. 27, 2009**

(51) **LOC (9) Cl.** **23-01**

(52) **U.S. Cl.** **D23/262**

(58) **Field of Classification Search** D23/259–269;
285/11–12, 7, 177, 394–395, 307, 358, 179–183,
285/423, 356, 303, 337

See application file for complete search history.

(56) **References Cited**

U.S. PATENT DOCUMENTS

2,020,554	A *	11/1935	Johnson	285/383
2,752,173	A *	6/1956	Krooss	285/232
3,189,969	A *	6/1965	Sweet	24/279
3,756,629	A *	9/1973	Gibb	285/112
D558,307	S	12/2007	Gibb et al.	D23/265
D560,764	S	1/2008	Gibb et al.	D23/265
D568,451	S	5/2008	Gibb et al.	D23/262
D568,970	S	5/2008	Gibb et al.	D23/262
D568,971	S	5/2008	Gibb et al.	D23/262
D570,458	S	6/2008	Gibb et al.	D23/262
7,401,819	B2 *	7/2008	Gibb et al.	285/373

D583,444	S *	12/2008	Nagle et al.	D23/262
D583,914	S *	12/2008	Pierce et al.	D23/262
D583,916	S *	12/2008	Madara et al.	D23/265
2004/0036291	A1 *	2/2004	Dole	285/367
2005/0253383	A1 *	11/2005	Gibb et al.	285/112
2008/0048444	A1 *	2/2008	Porter et al.	285/367
2008/0272595	A1 *	11/2008	Gibb et al.	285/337

OTHER PUBLICATIONS

U.S. Appl. No. 29/328,917, filed Dec. 4, 2008, Porter et al.

* cited by examiner

Primary Examiner—T. Chase Nelson

Assistant Examiner—Eric L Goodman

(74) *Attorney, Agent, or Firm*—Ballard Spahr LLP

(57) **CLAIM**

We claim the ornamental design for a reversed v-interface coupling, as shown and described.

DESCRIPTION

FIG. 1 is an isometric view of our design for a reversed v-interface coupling;

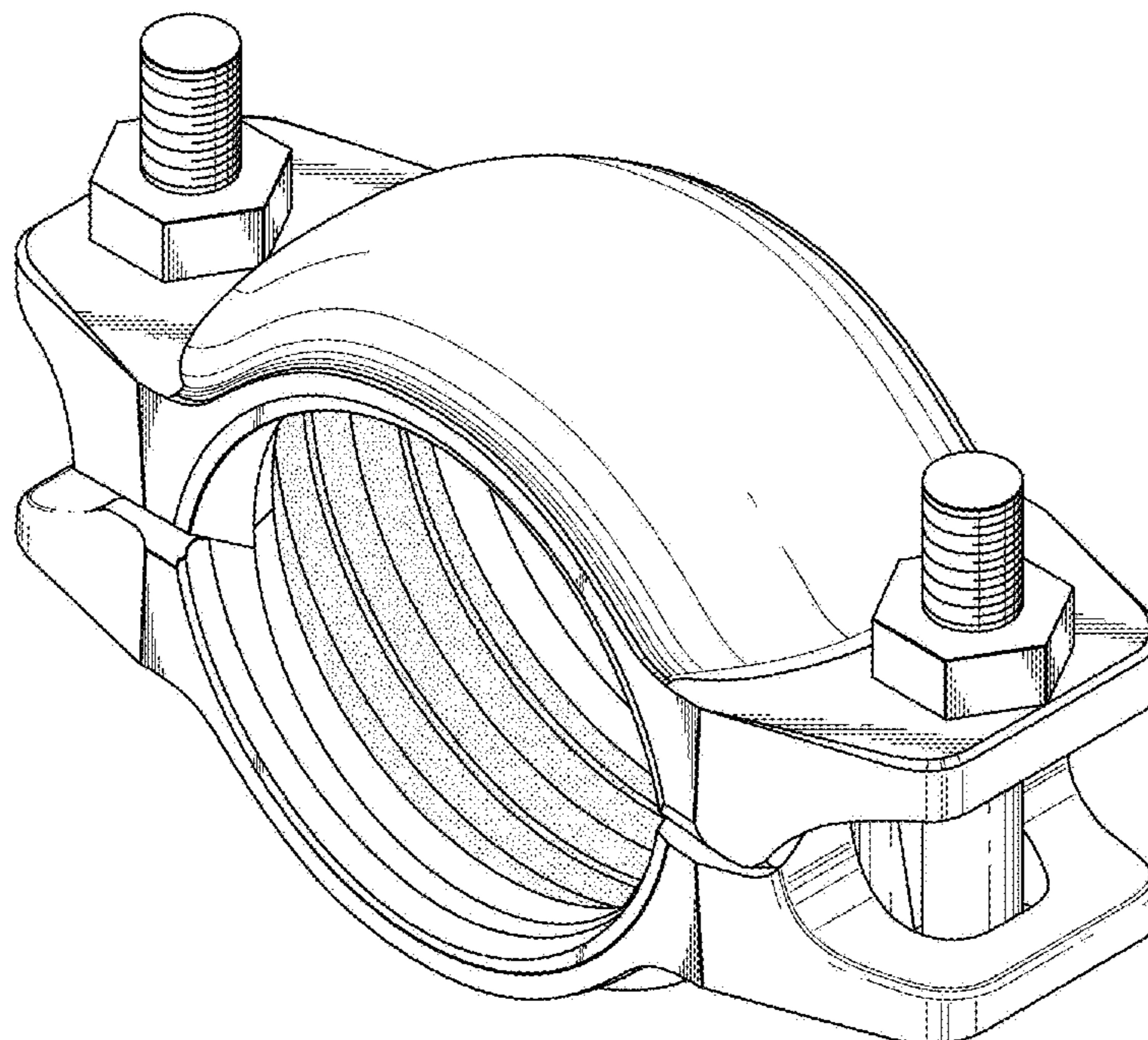
FIG. 2 is a front view of the design for a reversed v-interface coupling shown in FIG. 1, the rear view being identical;

FIG. 3 is a top view of the design for a reversed v-interface coupling shown in FIG. 1;

FIG. 4 is a bottom view of the design for a reversed v-interface coupling shown in FIG. 1; and,

FIG. 5 is a left side view of the design for a reversed v-interface coupling shown in FIG. 1, the right side view being identical.

1 Claim, 2 Drawing Sheets



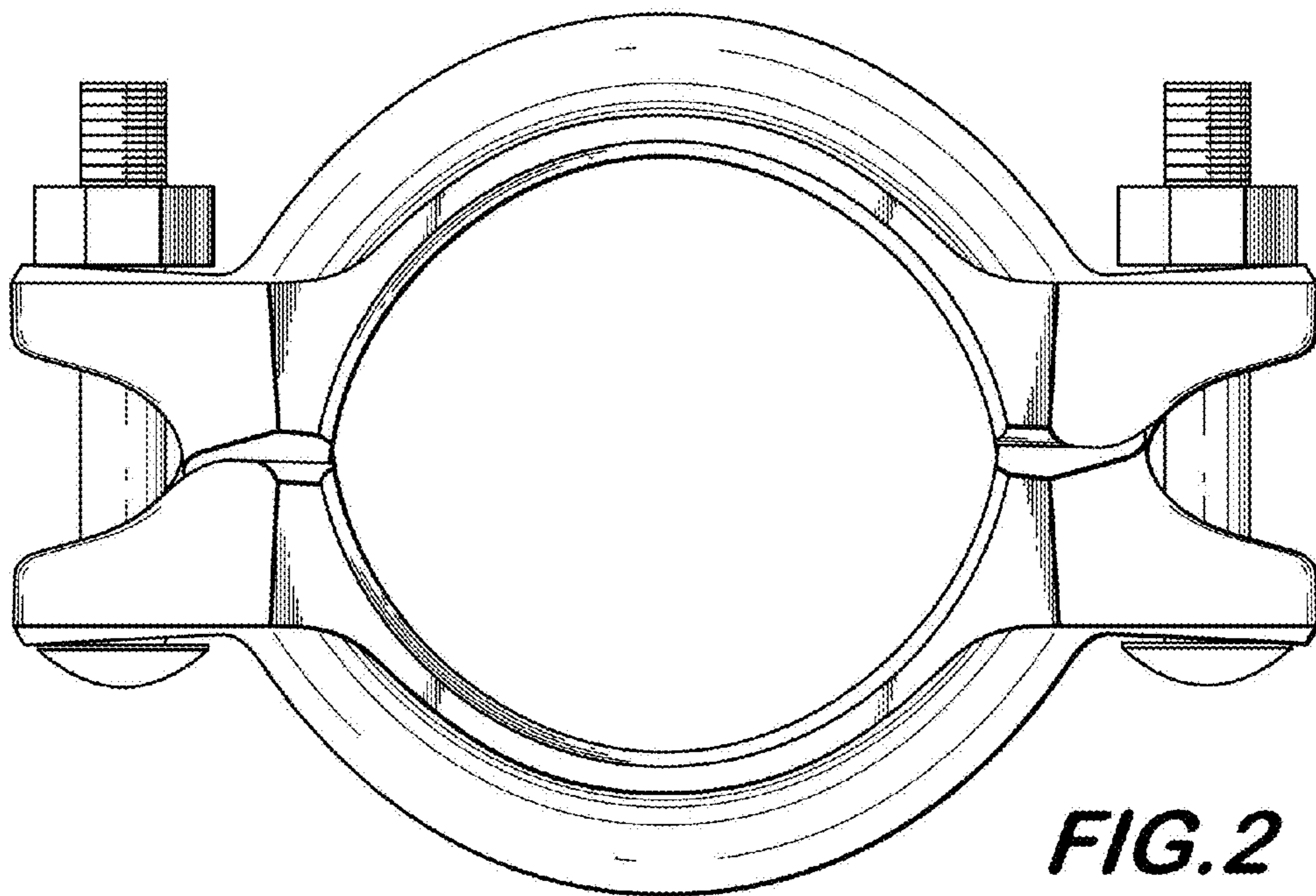
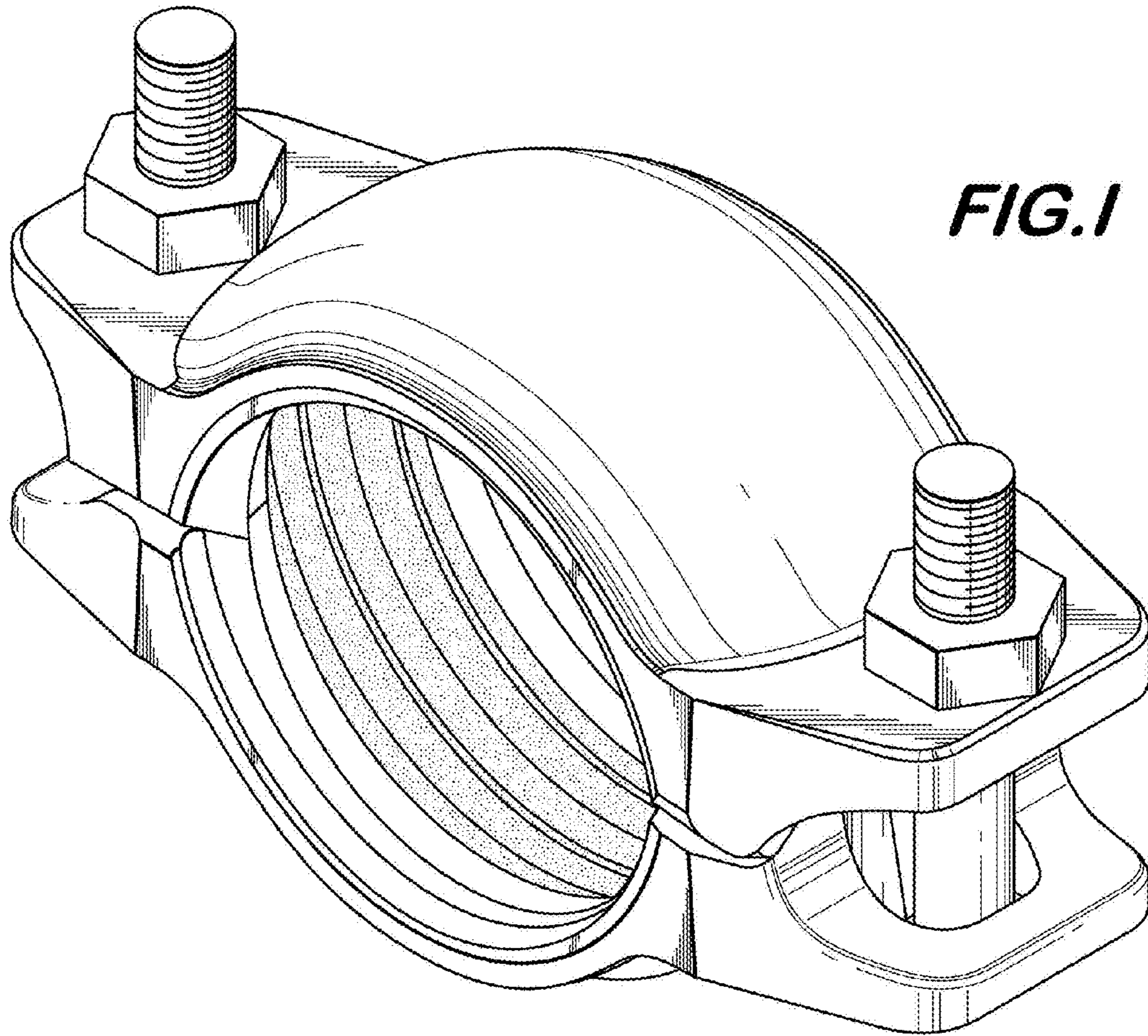


FIG. 3

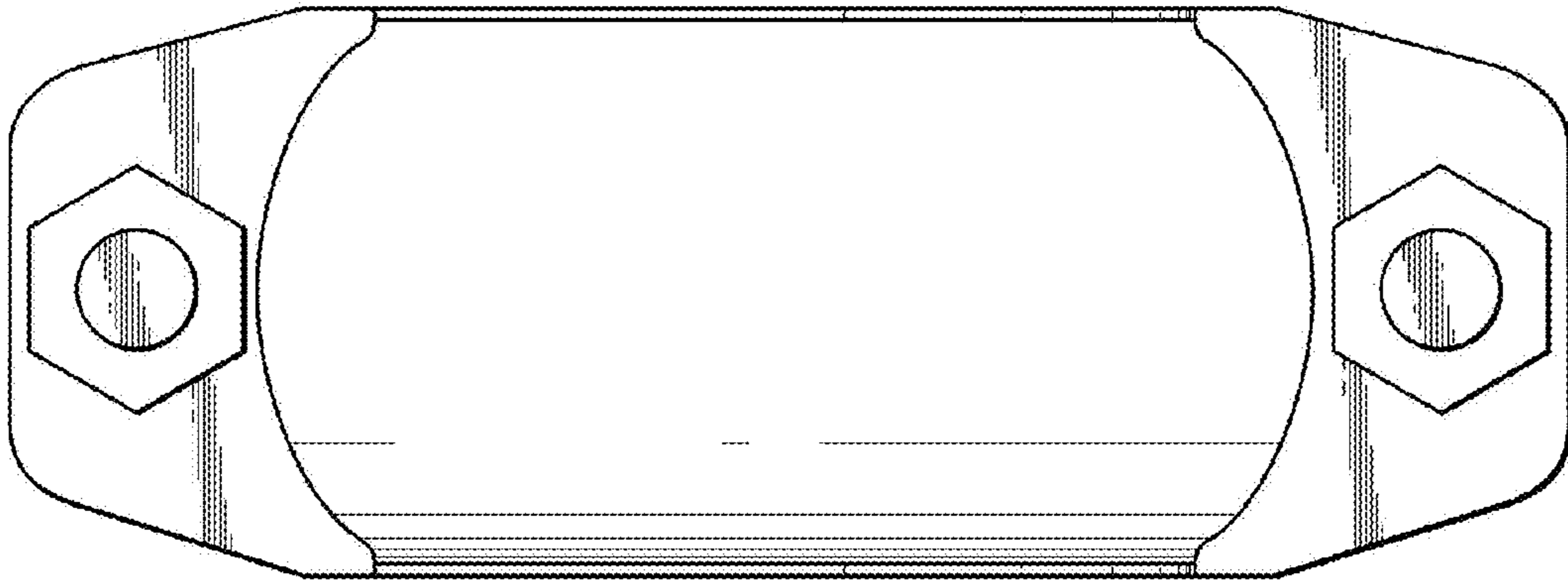


FIG. 4

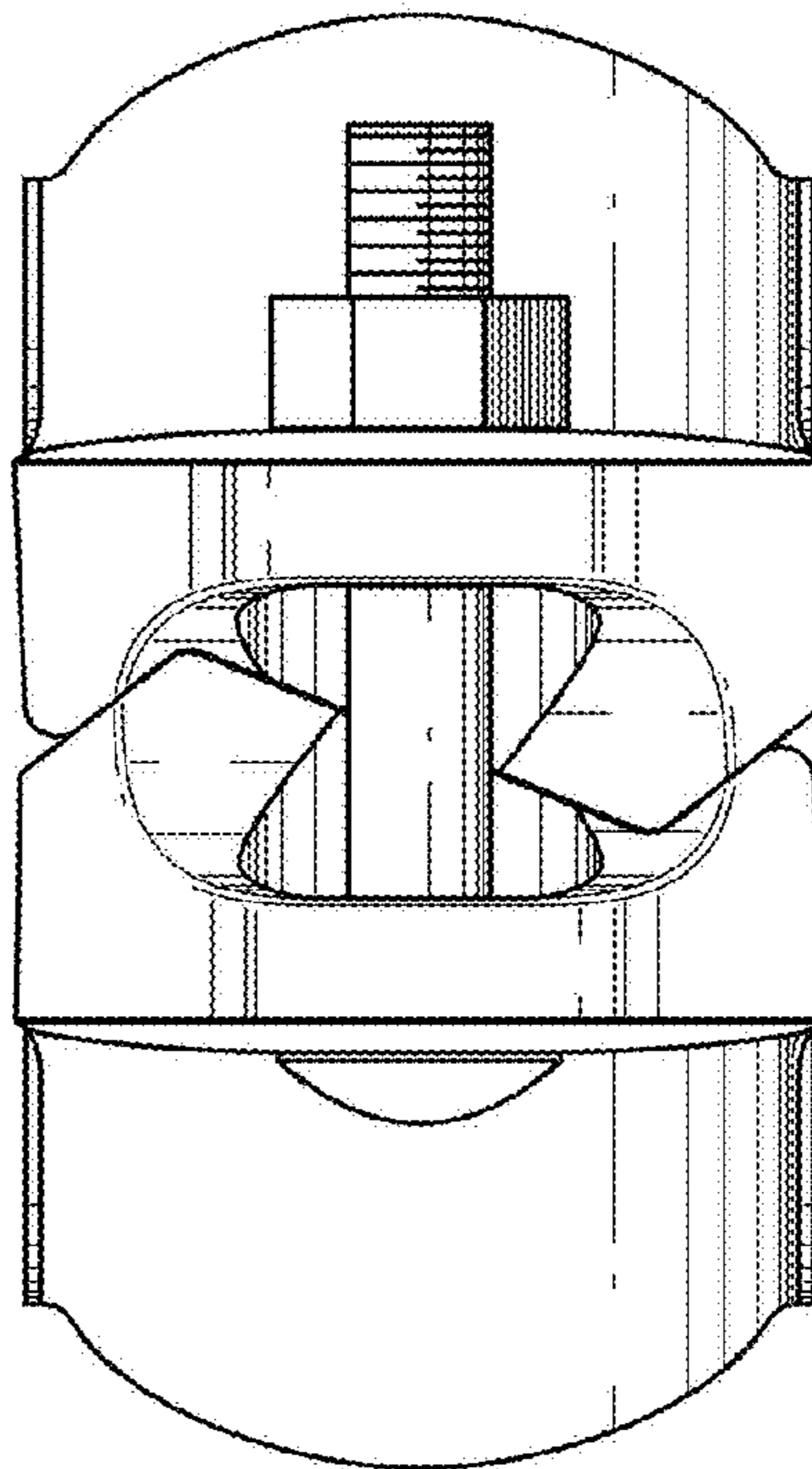
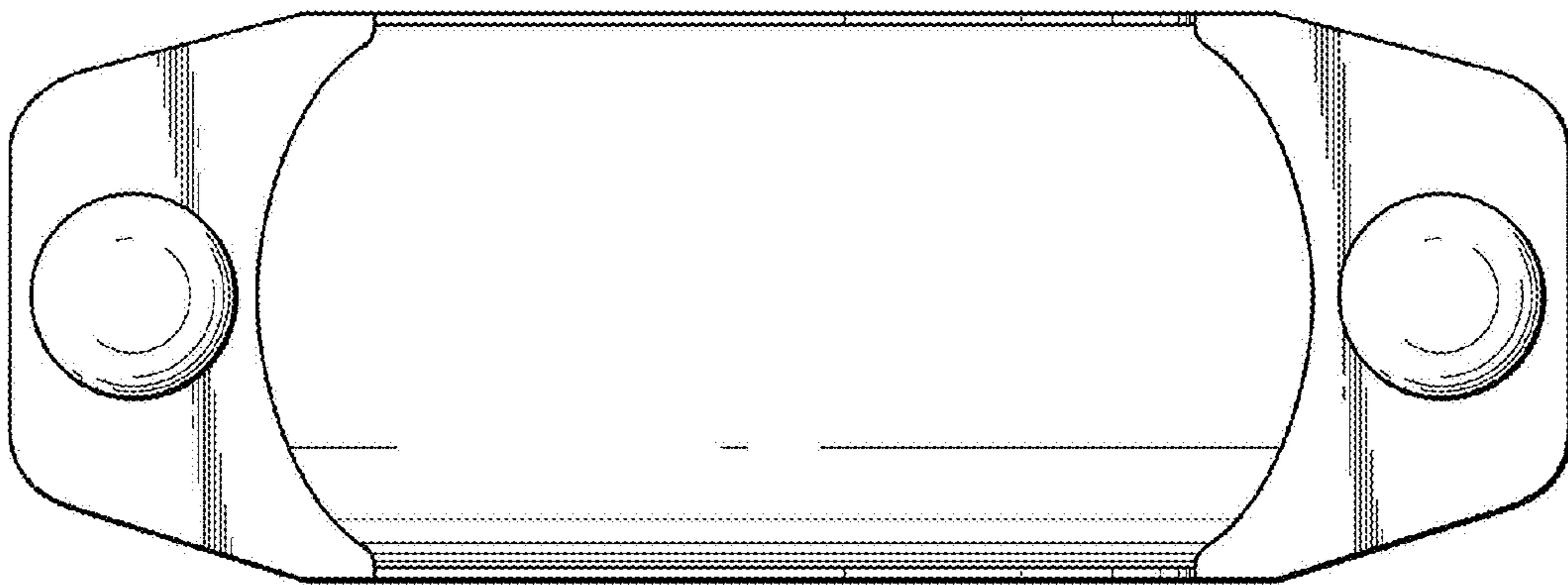


FIG. 5