



US00D605735S

(12) **United States Design Patent**  
**Shah et al.**

(10) **Patent No.:** **US D605,735 S**

(45) **Date of Patent:** **\*\* \*Dec. 8, 2009**

(54) **RIBBED PIPE COUPLING**

(75) Inventors: **Amit R. Shah**, Quakertown, PA (US);  
**Douglas R. Dole**, Whitehouse Station,  
NJ (US); **John W. Pierce**, Nazareth, PA  
(US); **Scott D. Madara**, Nazareth, PA  
(US)

(73) Assignee: **Victaulic Company**, Easton, PA (US)

(\*) Notice: This patent is subject to a terminal disclaimer.

(\*\*) Term: **14 Years**

(21) Appl. No.: **29/329,365**

(22) Filed: **Dec. 13, 2008**

(51) **LOC (9) Cl.** ..... **23-01**

(52) **U.S. Cl.** ..... **D23/262**

(58) **Field of Classification Search** ..... D23/259–269;  
285/11–12, 7, 177, 394–395, 307, 358, 179–183,  
285/423, 356, 303, 337, 1, 53, 404, 112,  
285/367, 373, 915; 403/300, 291  
See application file for complete search history.

(56) **References Cited**

**U.S. PATENT DOCUMENTS**

872,659 A \* 12/1907 Lord ..... 277/623  
2,861,822 A \* 11/1958 Risley et al. .... 285/348  
D208,388 S \* 8/1967 Graham ..... D23/265  
3,352,579 A \* 11/1967 Hoke ..... 277/621

4,183,560 A \* 1/1980 Wyss ..... 285/232  
D453,816 S \* 2/2002 Sato et al. .... D23/262  
6,494,502 B1 \* 12/2002 Plante ..... 285/373  
D513,793 S \* 1/2006 Copeland et al. .... D23/262  
D515,673 S \* 2/2006 Copeland et al. .... D23/262  
D593,642 S \* 6/2009 Copeland et al. .... D23/266  
2003/0071460 A1 \* 4/2003 Snyder et al. .... 285/340  
2005/0146133 A1 \* 7/2005 Snyder et al. .... 285/105

\* cited by examiner

*Primary Examiner*—T. Chase Nelson

*Assistant Examiner*—Eric L Goodman

(74) *Attorney, Agent, or Firm*—Ballard Spahr LLP

(57) **CLAIM**

We claim the ornamental design for a ribbed pipe coupling, as shown and described.

**DESCRIPTION**

FIG. 1 is an isometric view of our design for a ribbed pipe coupling;

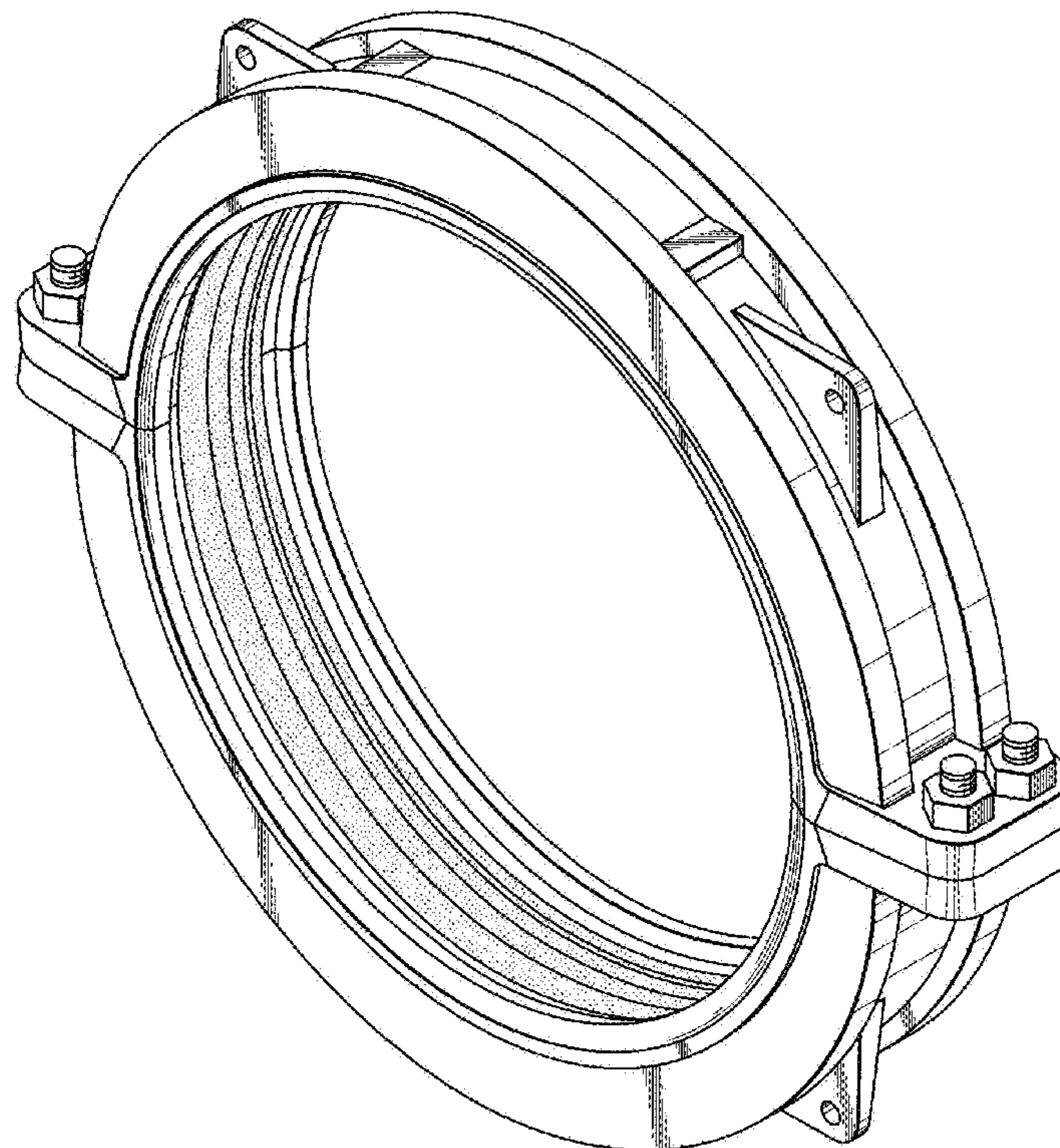
FIG. 2 is a front view of the design for a ribbed pipe coupling shown in FIG. 1, the rear view being identical;

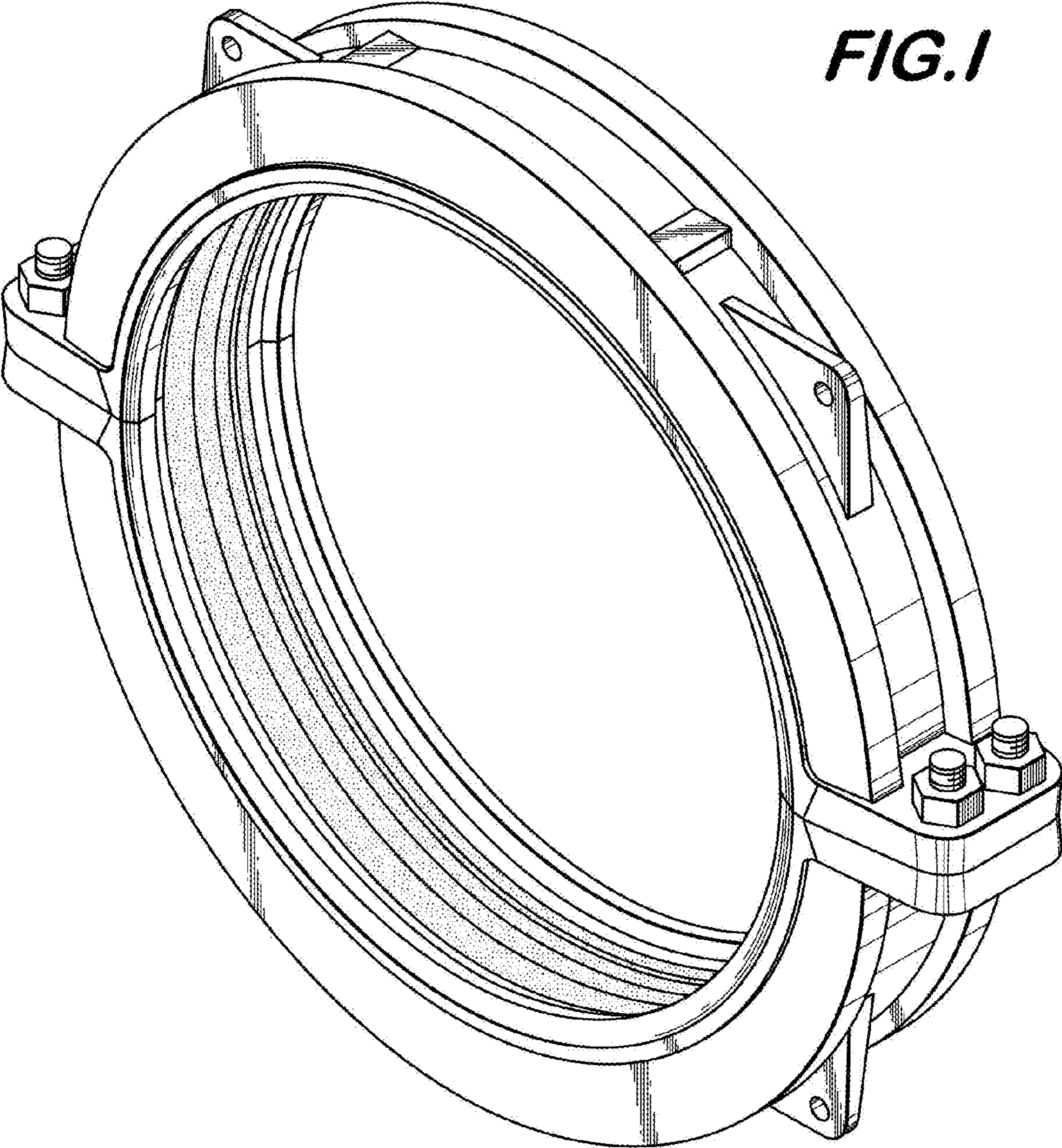
FIG. 3 is a top view of the design for a ribbed pipe coupling shown in FIG. 1;

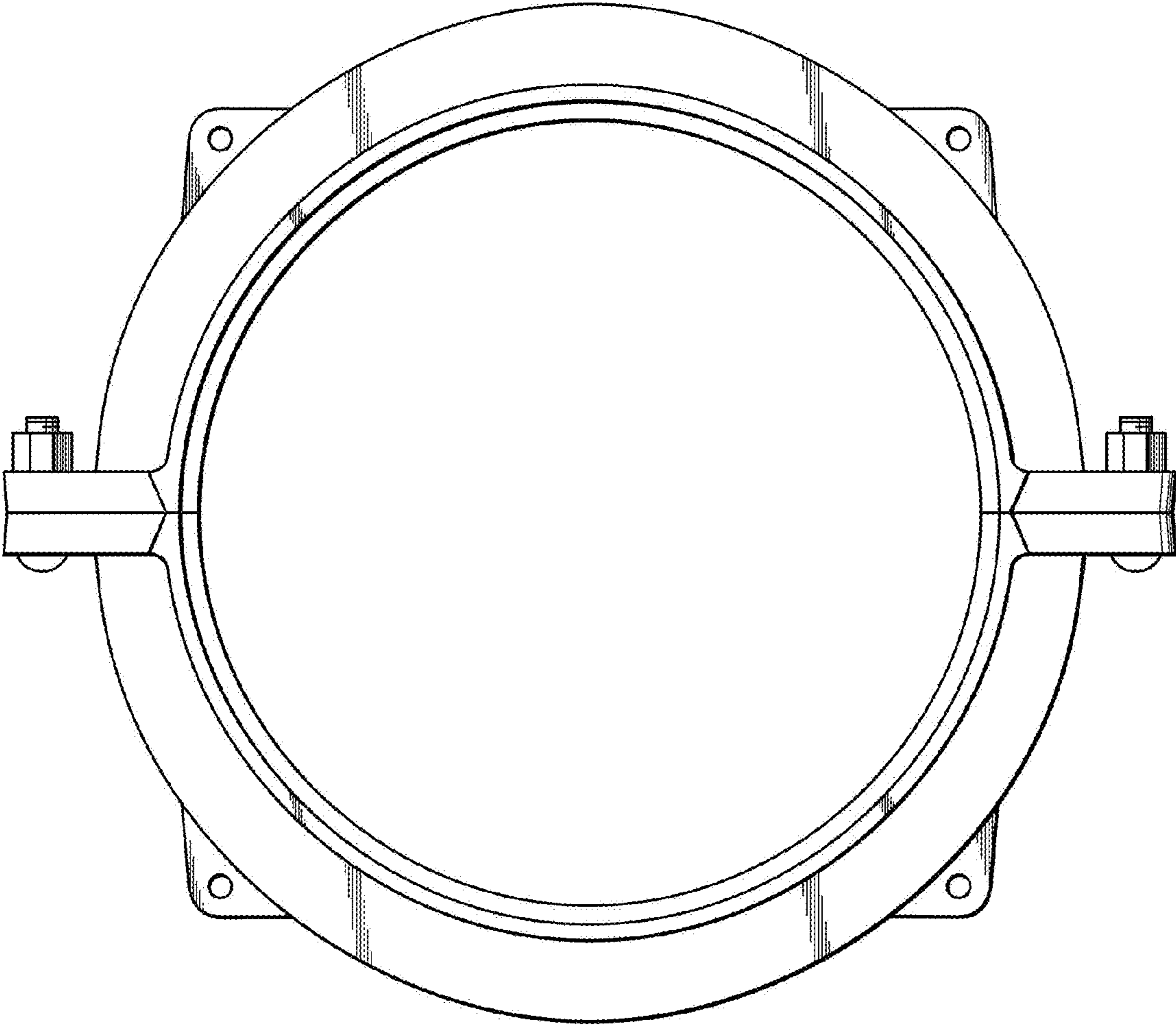
FIG. 4 is a bottom view of the design for a ribbed pipe coupling shown in FIG. 1; and,

FIG. 5 is a left side view of the design for a ribbed pipe coupling shown in FIG. 1, the right side view being identical.

**1 Claim, 3 Drawing Sheets**

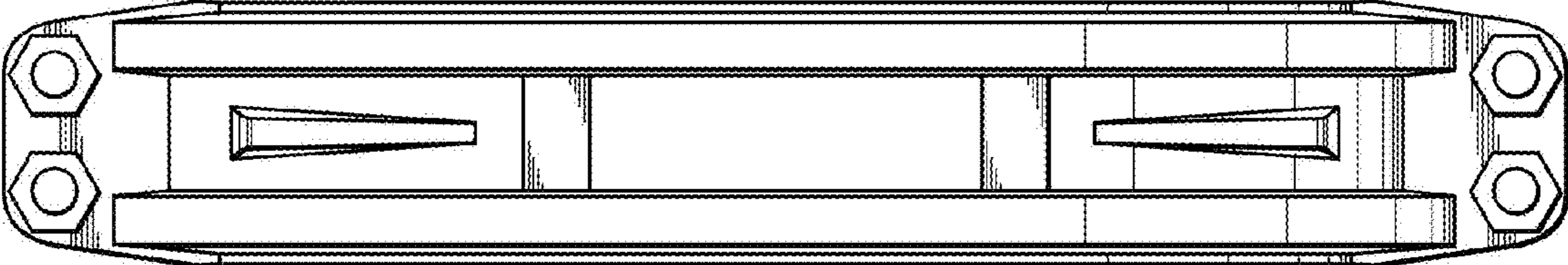




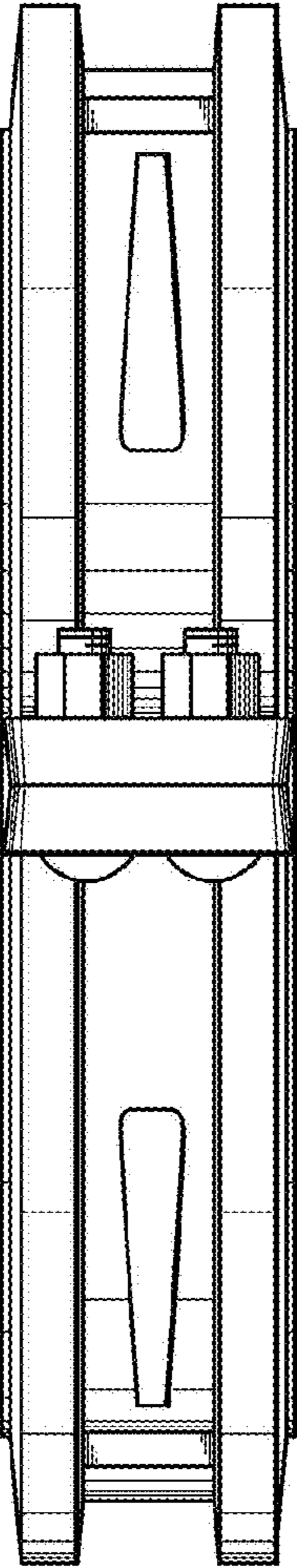
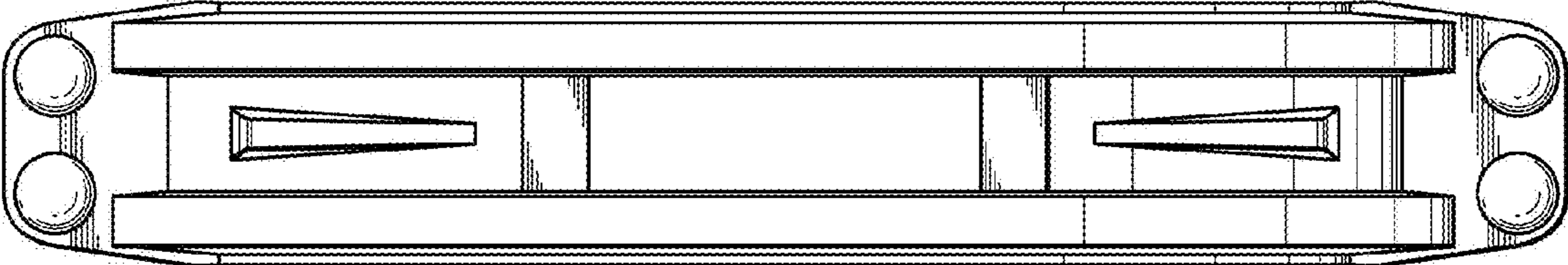


**FIG.2**

**FIG. 3**



**FIG. 4**



**FIG. 5**