



US00D605734S

(12) **United States Design Patent**  
**Henry et al.**

(10) **Patent No.:** **US D605,734 S**  
(45) **Date of Patent:** **\*\* \*Dec. 8, 2009**

(54) **RIGID PIPE COUPLING**

(75) Inventors: **Vance W. Henry**, Easton, PA (US); **John W. Pierce**, Nazareth, PA (US); **Douglas R. Dole**, Whitehouse Station, NJ (US); **Scott D. Madara**, Nazareth, PA (US); **Ahmad Sith**, Bethlehem, PA (US)

(73) Assignee: **Victaulic Company**, Easton, PA (US)

(\*) Notice: This patent is subject to a terminal disclaimer.

(\*\*) Term: **14 Years**

(21) Appl. No.: **29/328,908**

(22) Filed: **Dec. 3, 2008**

(51) **LOC (9) Cl.** ..... **23-01**

(52) **U.S. Cl.** ..... **D23/262**

(58) **Field of Classification Search** ..... D23/259-269;  
285/11-12, 7, 177, 394-395, 307, 358, 179-183,  
285/423, 356, 303, 337

See application file for complete search history.

(56) **References Cited**

**U.S. PATENT DOCUMENTS**

|           |     |         |               |       |         |
|-----------|-----|---------|---------------|-------|---------|
| 872,659   | A * | 12/1907 | Lord          | ..... | 277/623 |
| 2,861,822 | A * | 11/1958 | Risley et al. | ..... | 285/348 |
| D208,388  | S * | 8/1967  | Graham        | ..... | D23/265 |
| 3,352,579 | A * | 11/1967 | Hoke          | ..... | 277/621 |
| 4,183,560 | A * | 1/1980  | Wyss          | ..... | 285/232 |
| D453,816  | S * | 2/2002  | Sato et al.   | ..... | D23/262 |

|              |      |         |                 |       |         |
|--------------|------|---------|-----------------|-------|---------|
| 6,494,502    | B1 * | 12/2002 | Plante          | ..... | 285/373 |
| D513,793     | S *  | 1/2006  | Copeland et al. | ..... | D23/262 |
| D515,673     | S *  | 2/2006  | Copeland et al. | ..... | D23/262 |
| D593,642     | S *  | 6/2009  | Copeland et al. | ..... | D23/266 |
| 2003/0071460 | A1 * | 4/2003  | Snyder et al.   | ..... | 285/340 |
| 2005/0146133 | A1 * | 7/2005  | Snyder et al.   | ..... | 285/105 |

**OTHER PUBLICATIONS**

U.S. Appl. No. 29/328,916, filed Dec. 4, 2008, Vance W. Henry.

\* cited by examiner

*Primary Examiner*—T. Chase Nelson

*Assistant Examiner*—Eric L Goodman

(74) *Attorney, Agent, or Firm*—Ballard Spahr LLP

(57) **CLAIM**

We claim the ornamental design for a rigid pipe coupling, as shown and described.

**DESCRIPTION**

FIG. 1 is an isometric view of our design for a rigid pipe coupling;

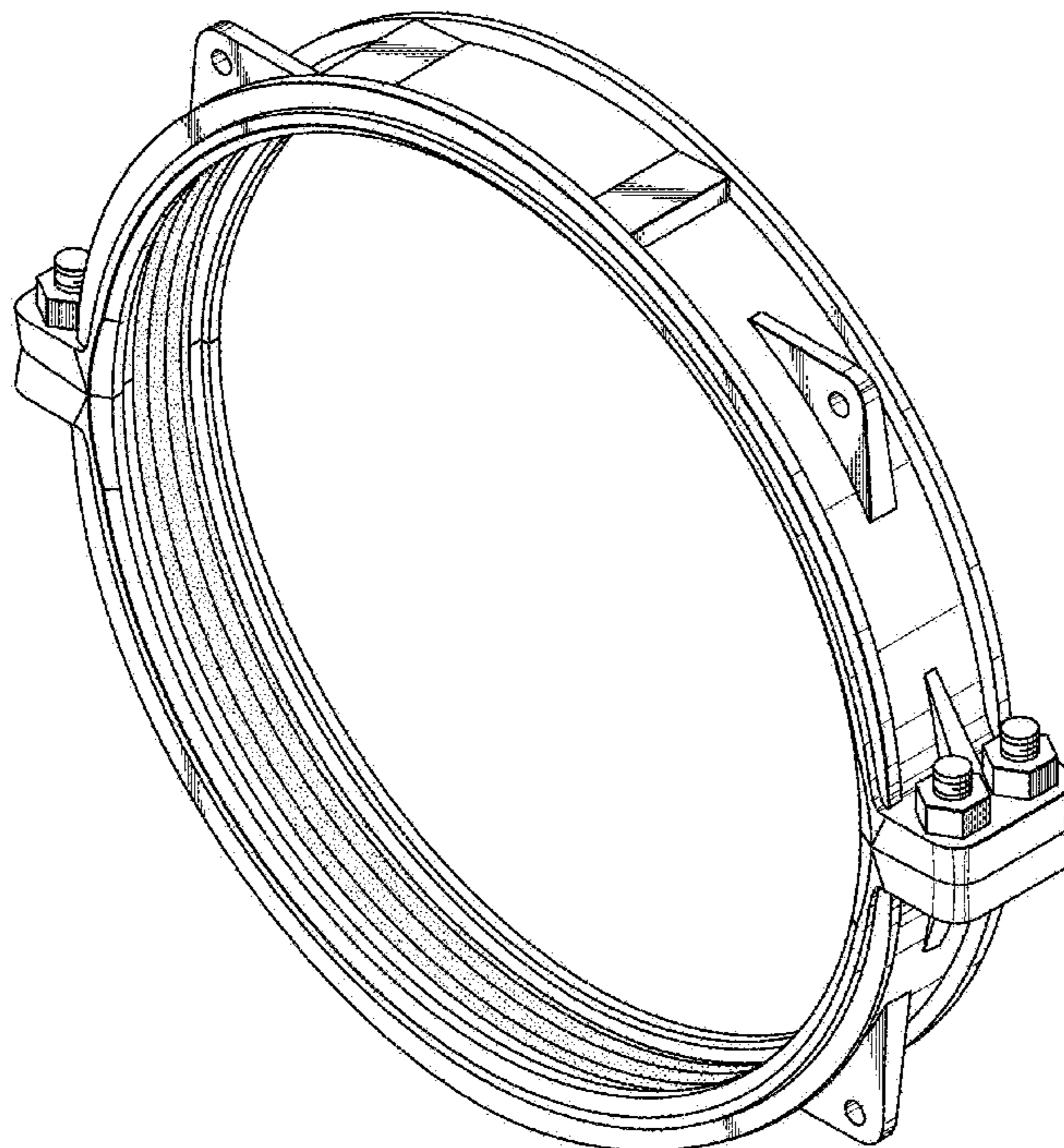
FIG. 2 is a front view of the design for a rigid pipe coupling shown in FIG. 1, the rear view being identical;

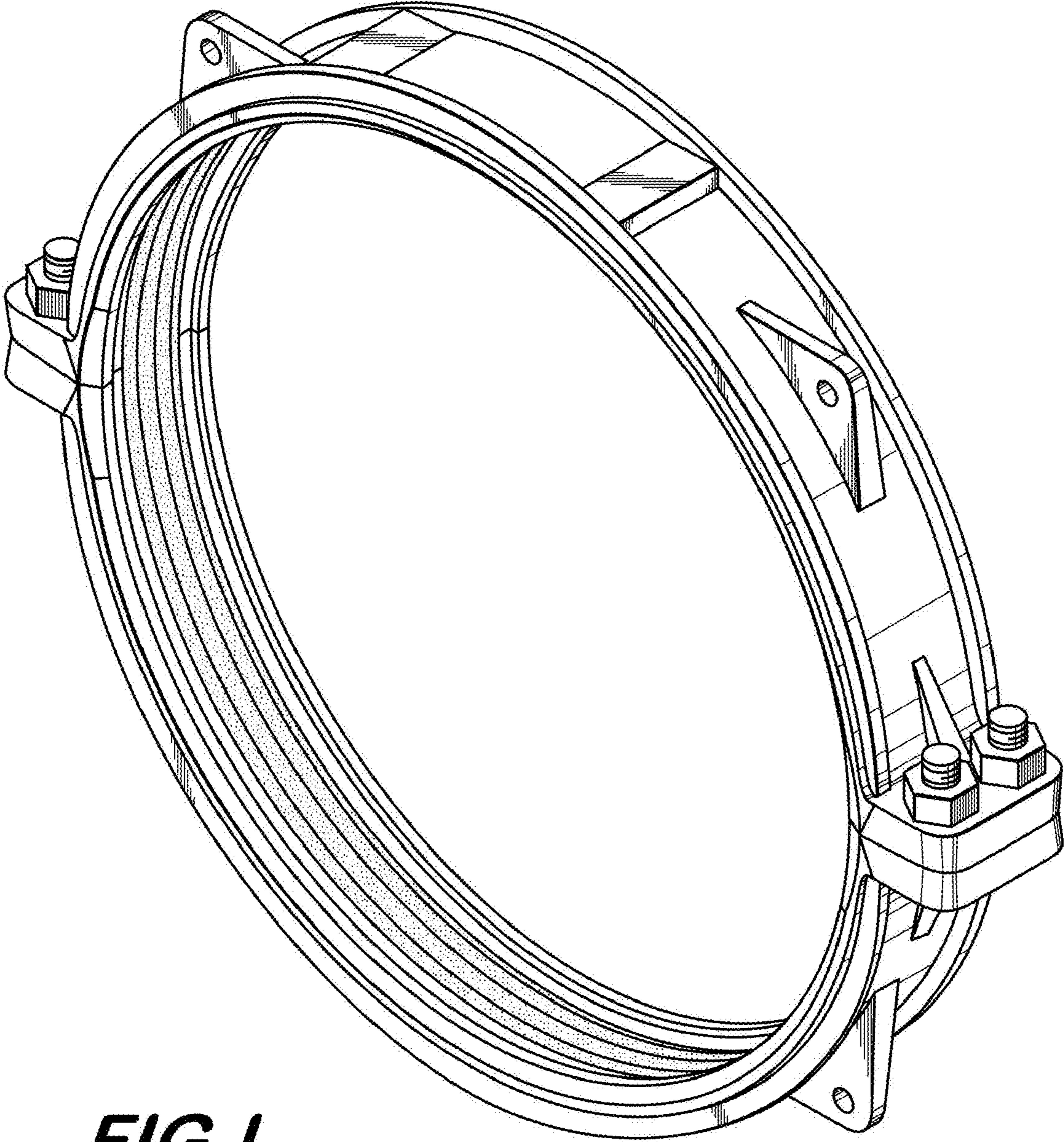
FIG. 3 is a top view of the design for a rigid pipe coupling shown in FIG. 1;

FIG. 4 is a bottom view of the design for a rigid pipe coupling shown in FIG. 1; and,

FIG. 5 is a left side view of the design for a rigid pipe coupling shown in FIG. 1, the right side view being identical.

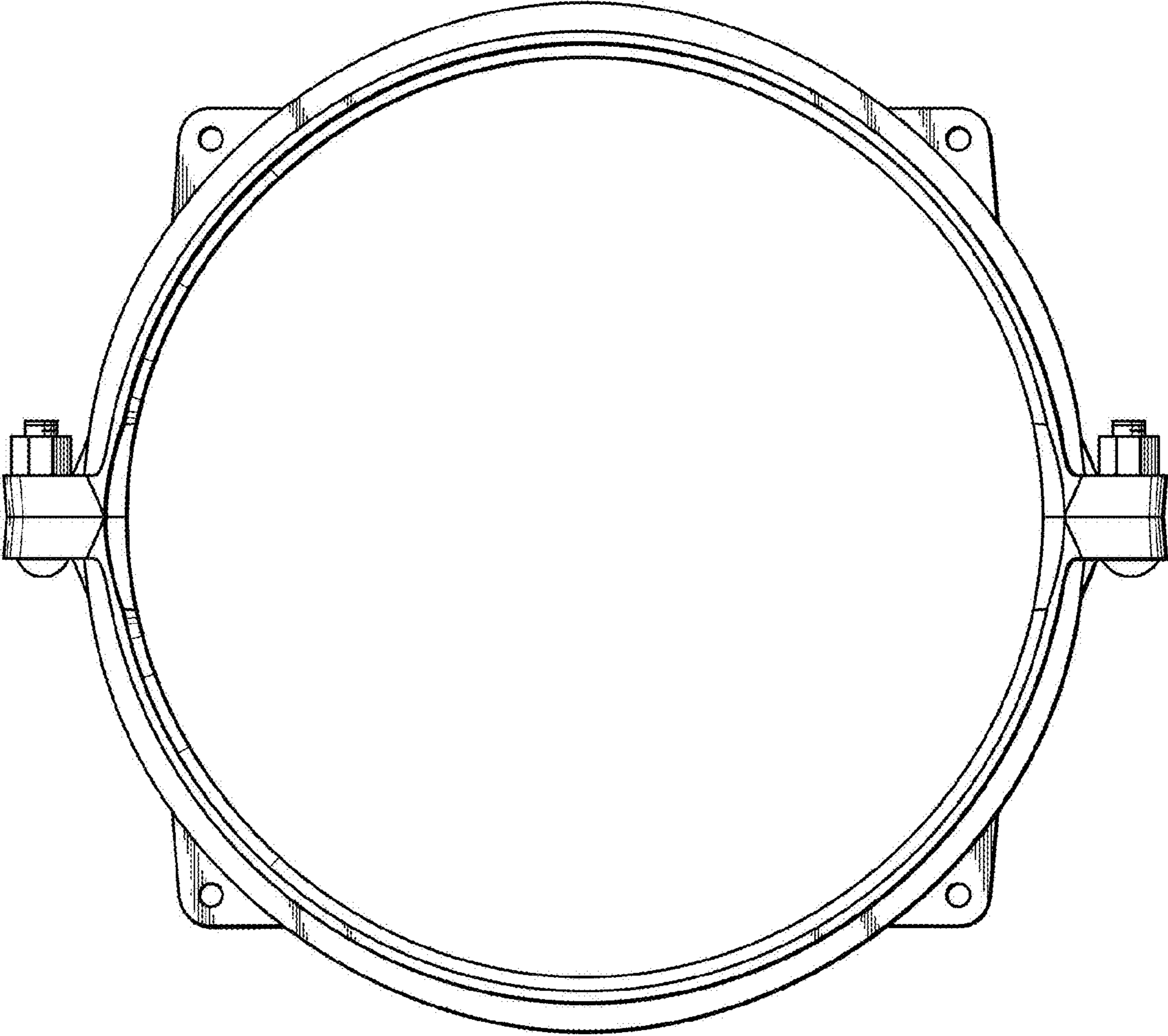
**1 Claim, 3 Drawing Sheets**





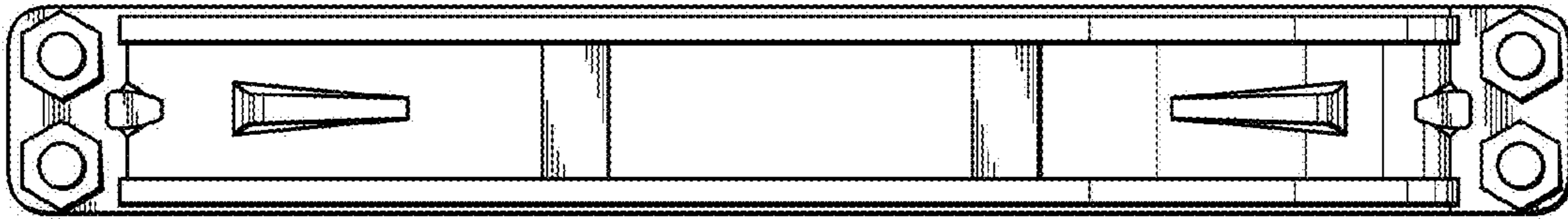
**FIG. 1**



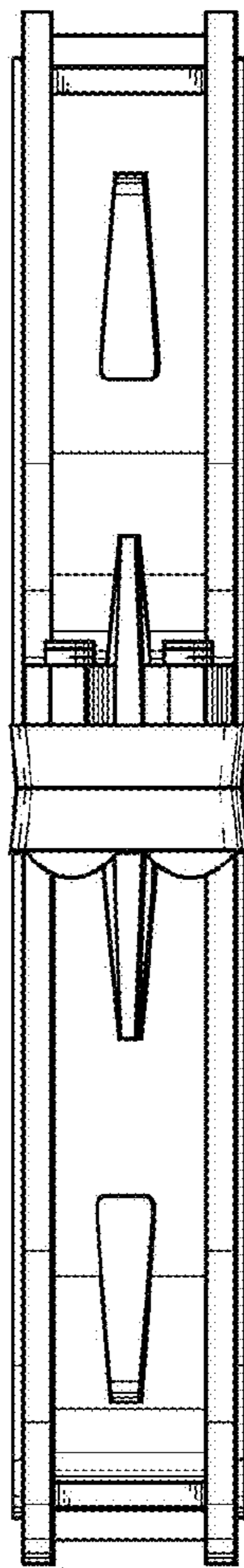
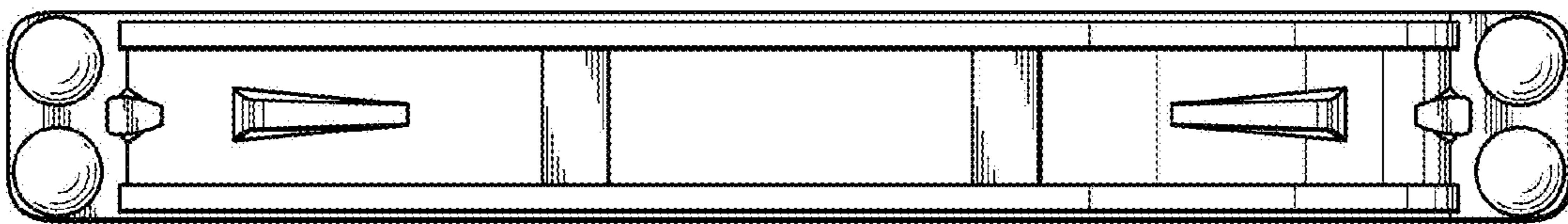


**FIG. 2**

**FIG. 3**



**FIG. 4**



**FIG. 5**