



US00D605732S

(12) **United States Design Patent**  
**Stein**

(10) **Patent No.:** **US D605,732 S**

(45) **Date of Patent:** **\*\* Dec. 8, 2009**

(54) **FLOW REGULATOR**

(75) Inventor: **Alexander Stein**, Ihringen (DE)

(73) Assignee: **Neoperl GmbH**, Mullheim (DE)

(\*\*) Term: **14 Years**

(21) Appl. No.: **29/331,853**

(22) Filed: **Feb. 3, 2009**

(30) **Foreign Application Priority Data**

Sep. 10, 2008 (EM) ..... 001000210

(51) **LOC (9) Cl.** ..... **23-01**

(52) **U.S. Cl.** ..... **D23/249**

(58) **Field of Classification Search** ..... D23/213,  
D23/233-237, 244-249, 257, 260; 138/37,  
138/40-42; 239/3, 428.5, 552, 553, 553.5;  
261/DIG. 22

See application file for complete search history.

(56) **References Cited**

**U.S. PATENT DOCUMENTS**

D526,701 S *	8/2006	Grether	.....	D23/249
D533,923 S *	12/2006	Grether	.....	D23/249
D536,066 S *	1/2007	Grether	.....	D23/249
D536,067 S *	1/2007	Grether	.....	D23/249
D536,069 S *	1/2007	Grether	.....	D23/249
D536,424 S *	2/2007	Grether	.....	D23/249

D539,390 S *	3/2007	Grether	.....	D23/249
D550,817 S *	9/2007	Grether	.....	D23/249
D570,961 S *	6/2008	Grether	.....	D23/249
D584,801 S *	1/2009	Grether	.....	D23/249
D591,403 S *	4/2009	Grether	.....	D23/249

\* cited by examiner

*Primary Examiner*—Cathron C. Brooks

*Assistant Examiner*—Maurice Stevens

(74) *Attorney, Agent, or Firm*—Volpe and Koenig, P.C.

(57) **CLAIM**

The ornamental design for a flow regulator, as shown and described.

**DESCRIPTION**

FIG. 1 is a top, right, front perspective view of the flow regulator according to my design;

FIG. 2 is a bottom, rear perspective view thereof;

FIG. 3 is a top plan view thereof;

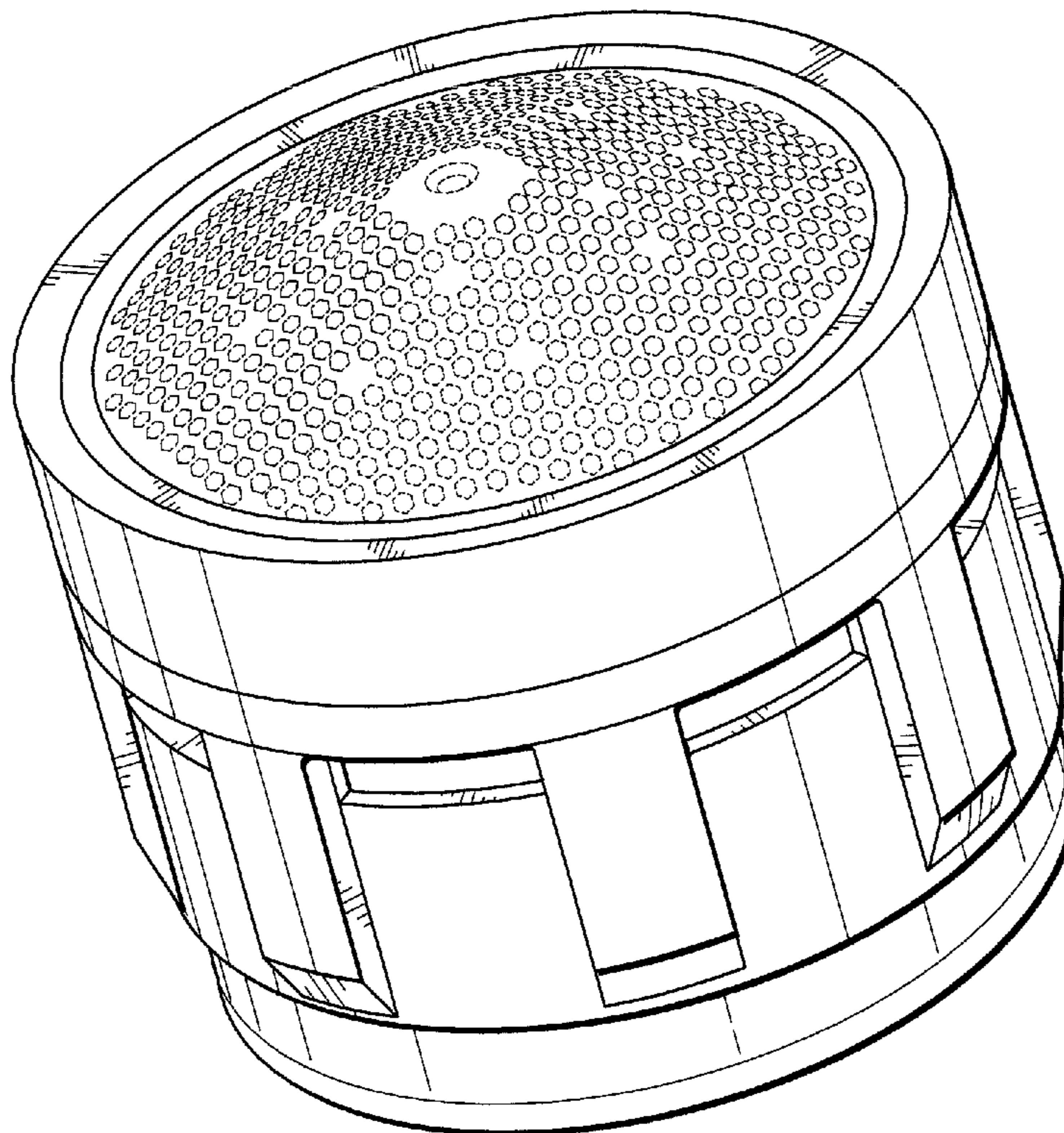
FIG. 4 is a right side elevational view thereof; the left side elevational view being a mirror image thereof;

FIG. 5 is a bottom view thereof; and,

FIG. 6 is a front elevational view thereof, the rear elevational view being a mirror image thereof.

The broken lines represent unclaimed portions of the flow regulator.

**1 Claim, 6 Drawing Sheets**



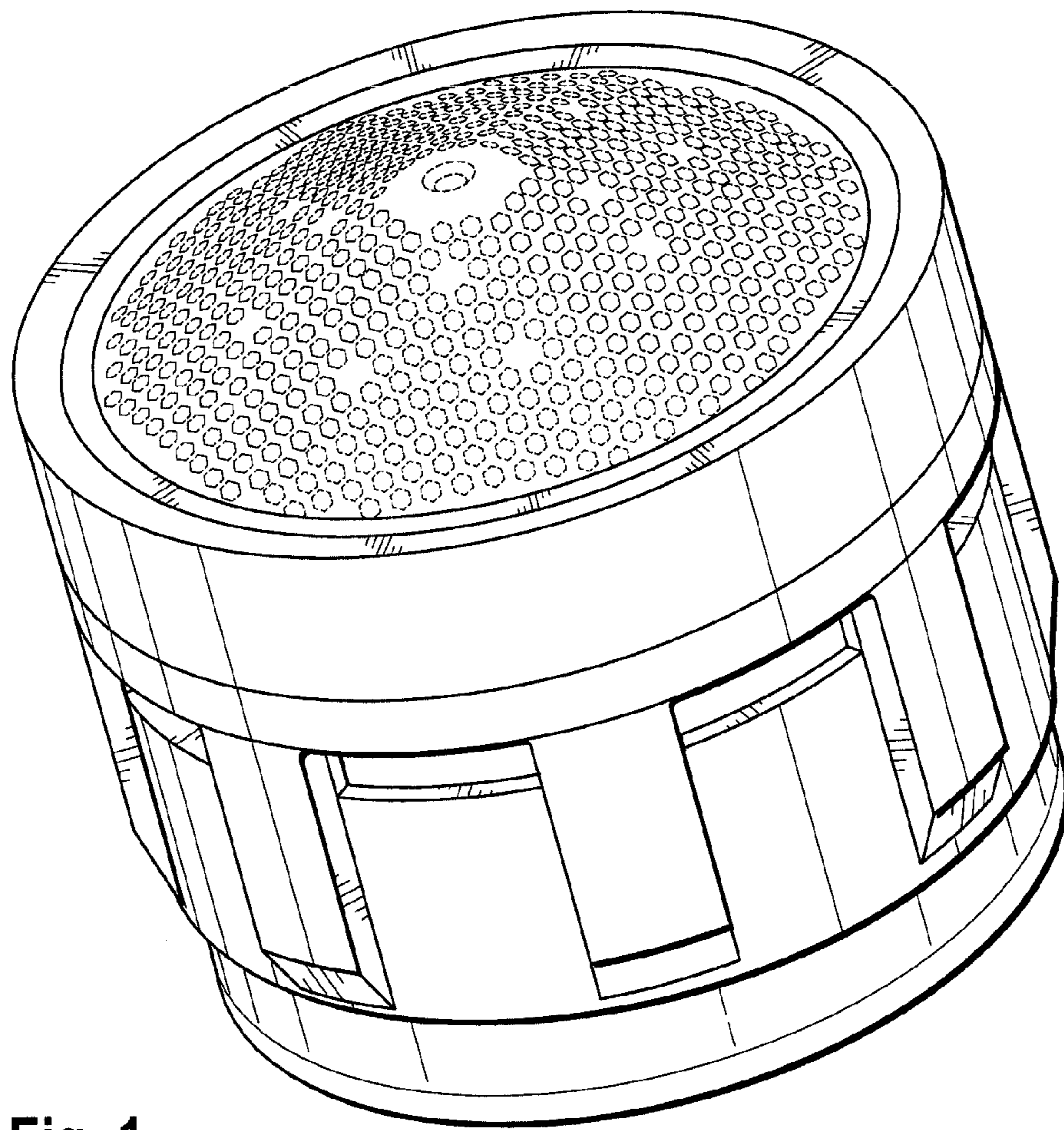


Fig. 1

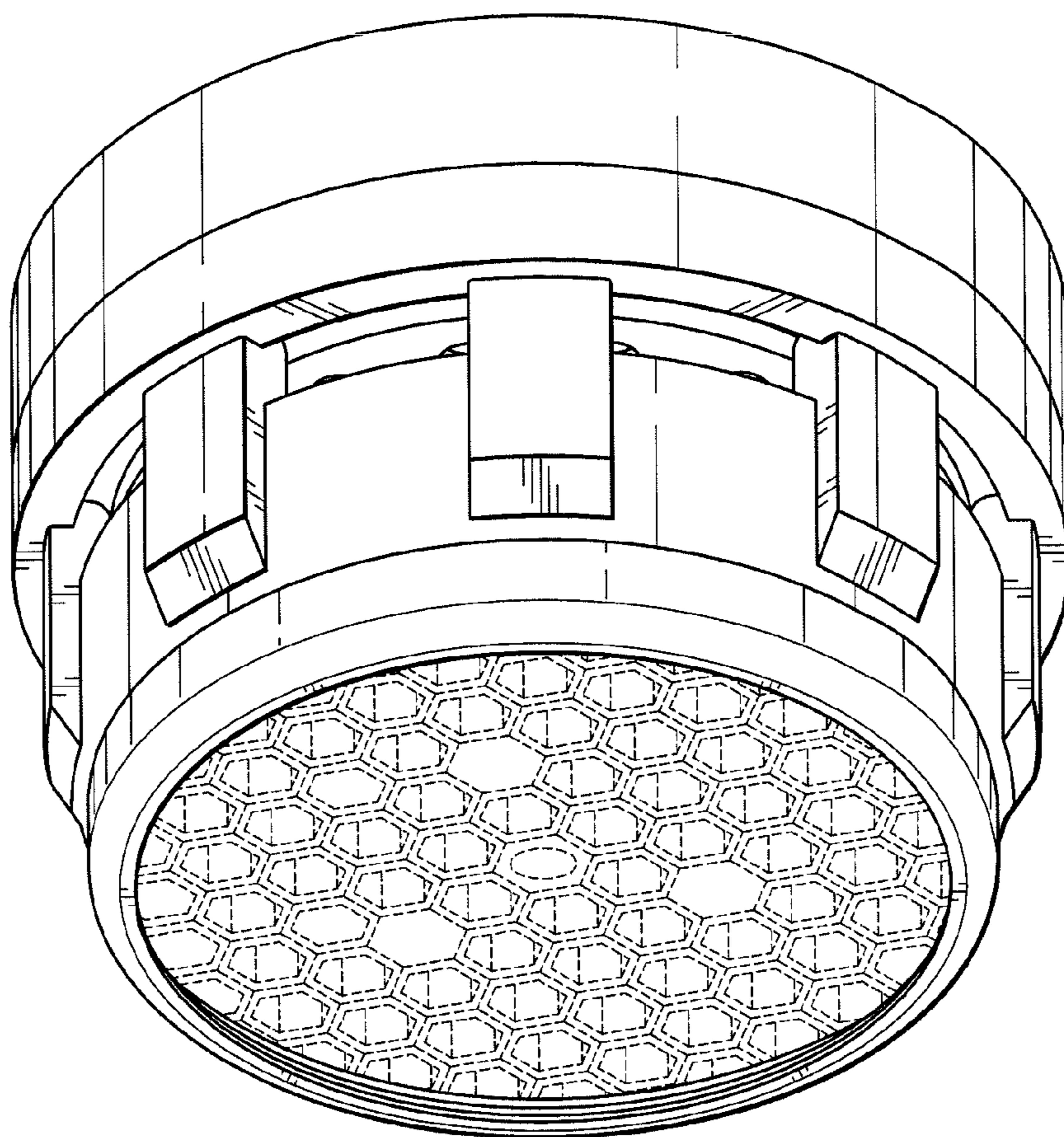


Fig. 2

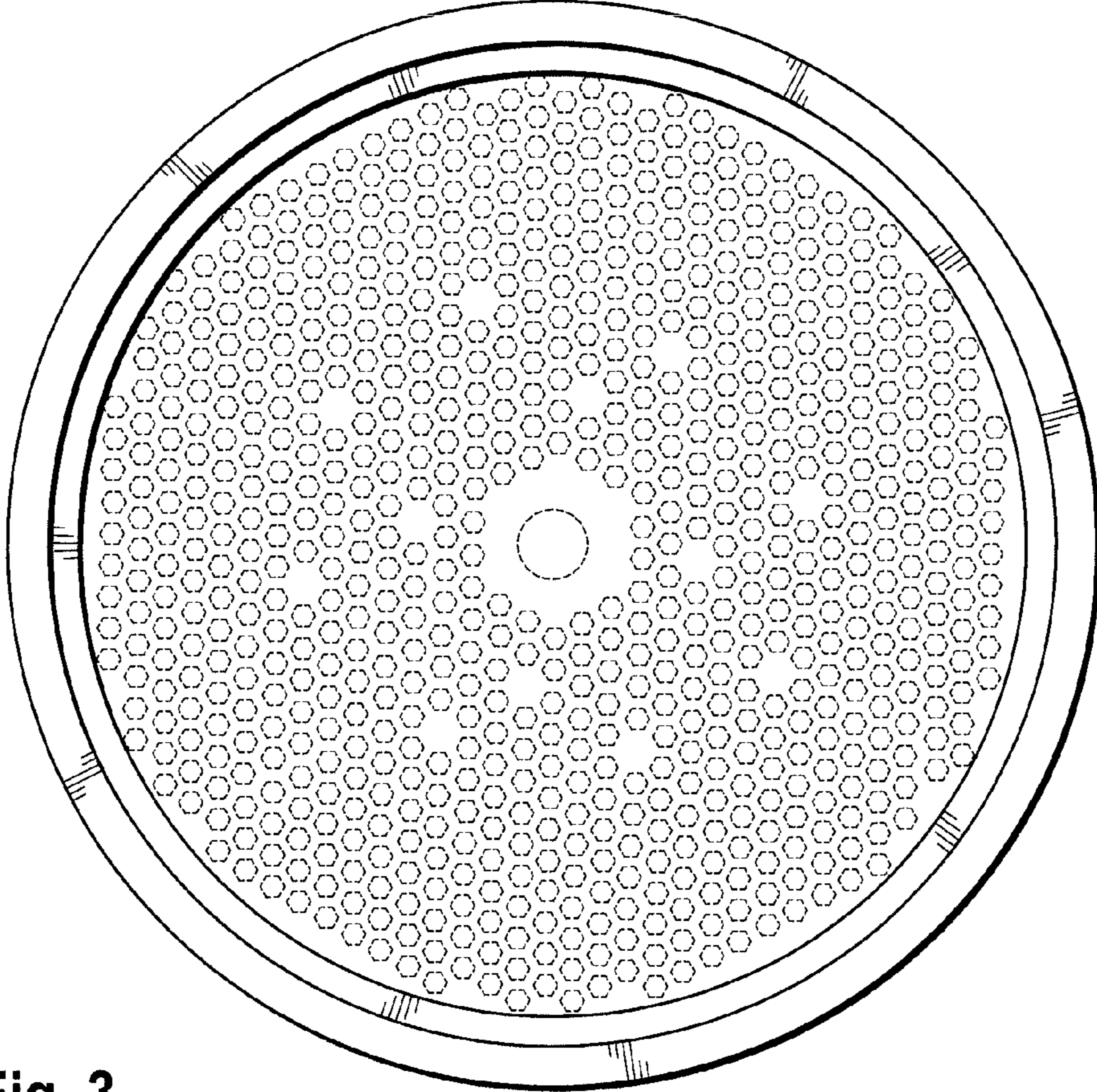


Fig. 3

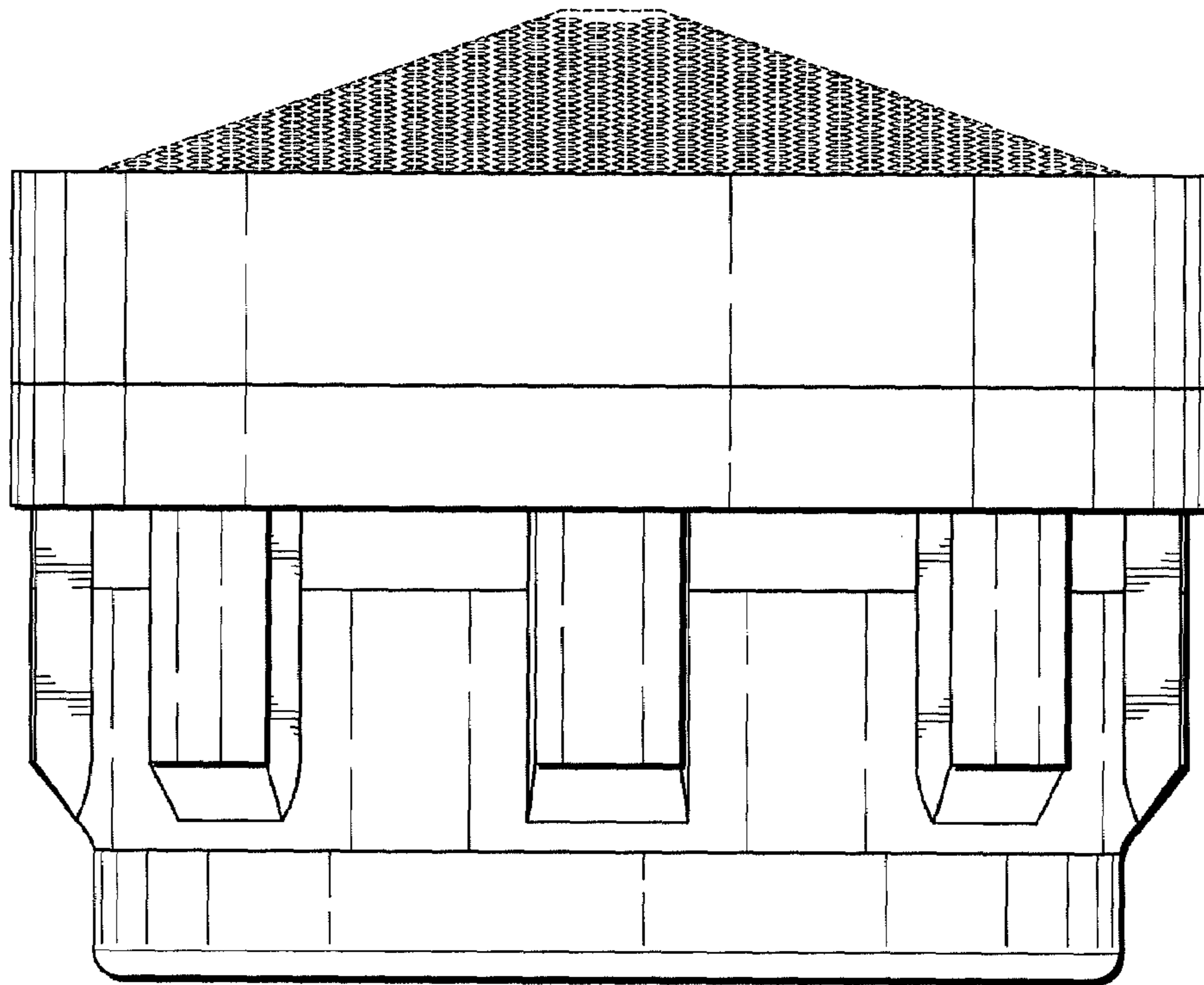


Fig. 4

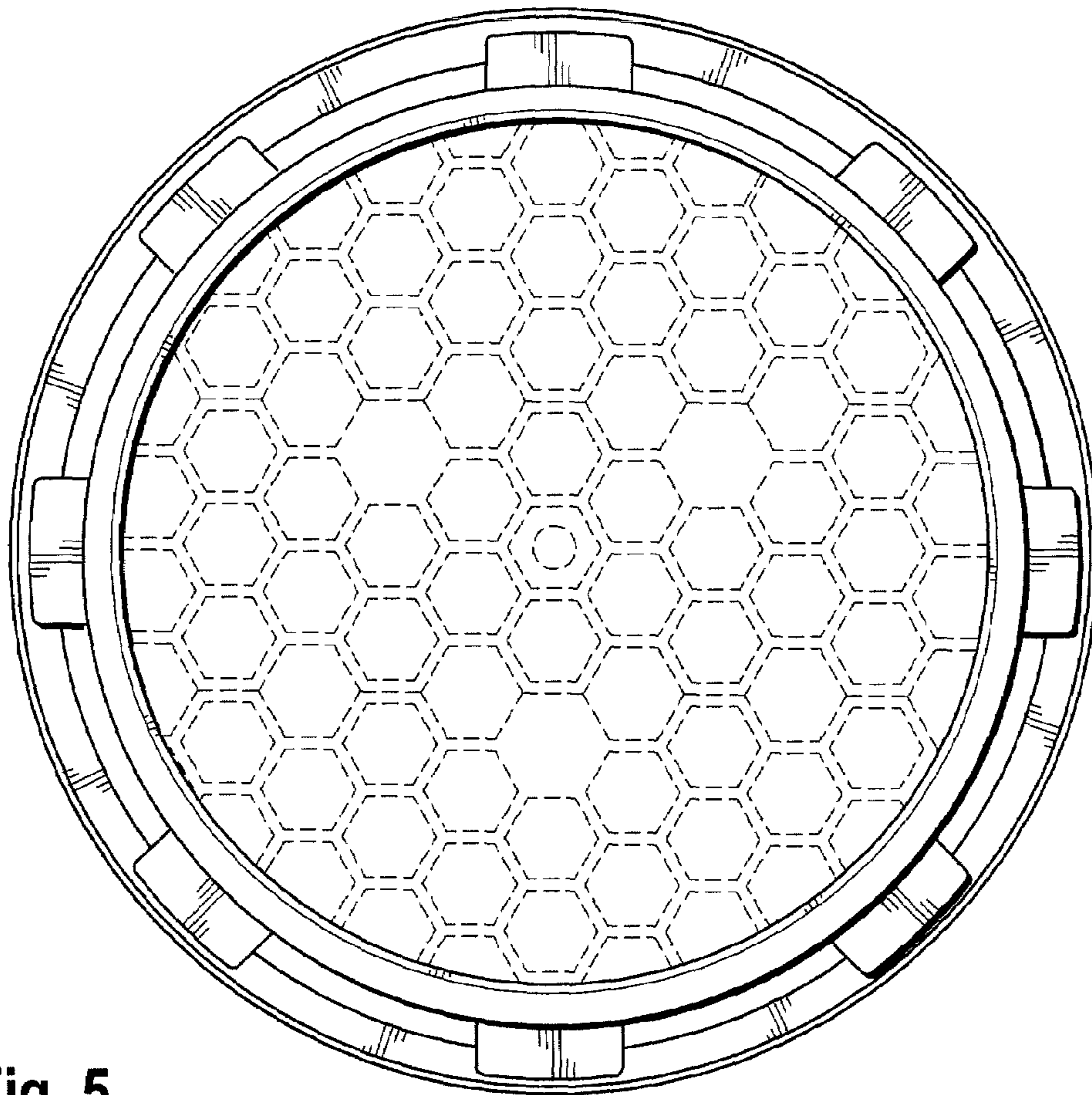


Fig. 5

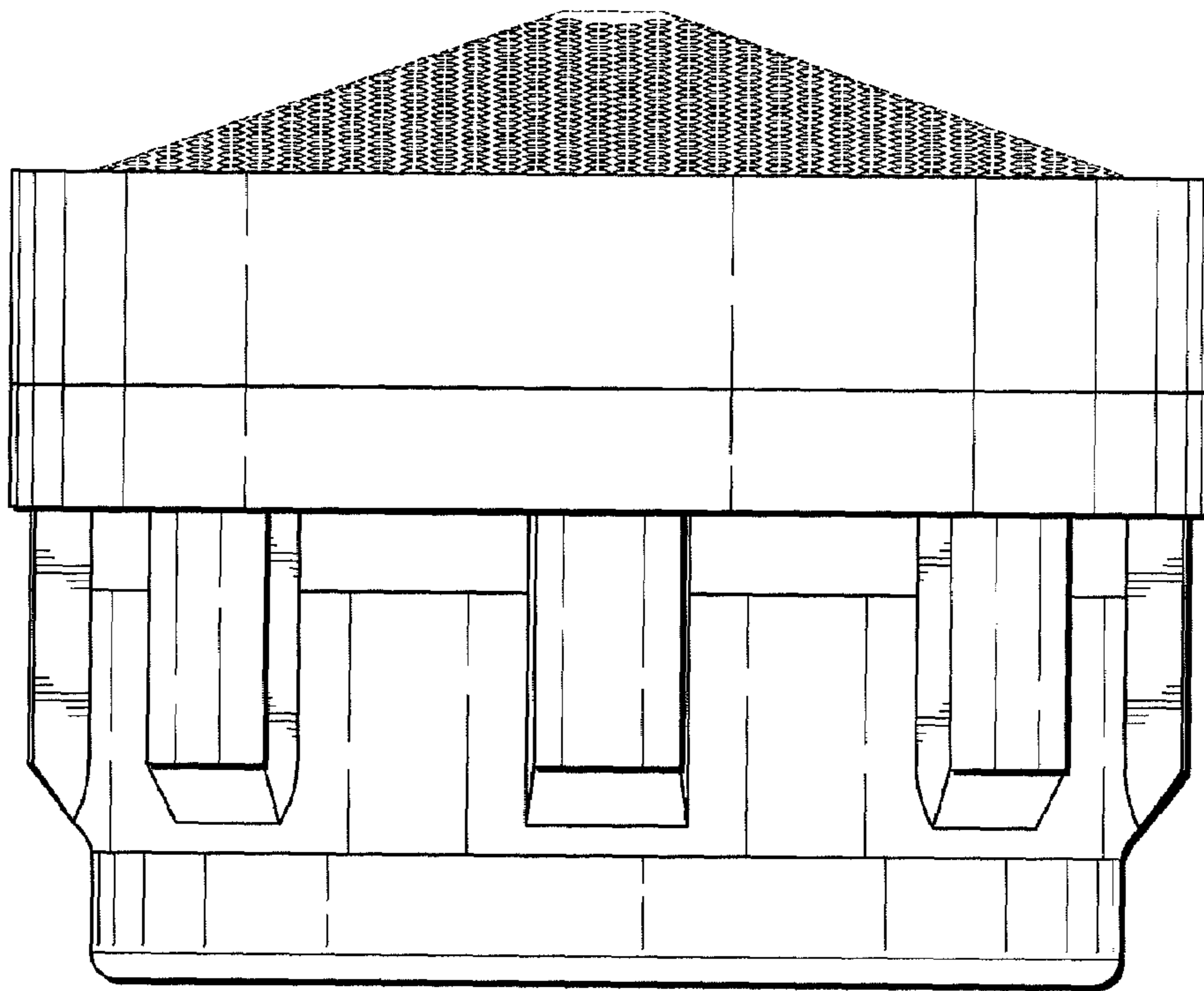


Fig. 6