



US00D605730S

(12) **United States Design Patent**
Kosaka

(10) **Patent No.:** **US D605,730 S**
(45) **Date of Patent:** **** Dec. 8, 2009**

(54) **HAND-HELD AIR SPRAY GUN**

D575,374 S * 8/2008 Huang D23/226

(75) Inventor: **Shozo Kosaka**, Yokohama (JP)

* cited by examiner

(73) Assignee: **Anest Iwata Corporation**,
Kanagawa-ken (JP)

Primary Examiner—Robin V Webster
(74) *Attorney, Agent, or Firm*—Wenderoth, Lind & Ponack,
L.L.P.

(**) Term: **14 Years**

(57) **CLAIM**

(21) Appl. No.: **29/311,689**

The ornamental design for a hand-held air spray gun, as shown and described.

(22) Filed: **May 22, 2009**

(30) **Foreign Application Priority Data**

DESCRIPTION

Nov. 28, 2008 (JP) 2008-030567
Nov. 28, 2008 (JP) 2008-030576

FIG. 1 is a perspective view of a hand held air spray gun in accordance with the present design;

(51) **LOC (9) Cl.** **23-01**

FIG. 2 is a front view thereof;

(52) **U.S. Cl.** **D23/226**

FIG. 3 is a back view thereof;

(58) **Field of Classification Search** D23/213,
D23/223, 226; 239/525–526, 600–601, 291
See application file for complete search history.

FIG. 4 is a side view, generally taken from the left side of FIG. 1;

FIG. 5 is a side view of the opposite side thereof;

(56) **References Cited**

U.S. PATENT DOCUMENTS

D405,503 S * 2/1999 Endo D23/226
D409,719 S * 5/1999 Kaneko D23/226
D563,505 S * 3/2008 Schmon et al. D23/226

FIG. 6 is a top view thereof;

FIG. 7 is a bottom view thereof; and,

FIG. 8 is a partial sectional view taken substantially along the lines A—A of FIG. 2.

1 Claim, 6 Drawing Sheets

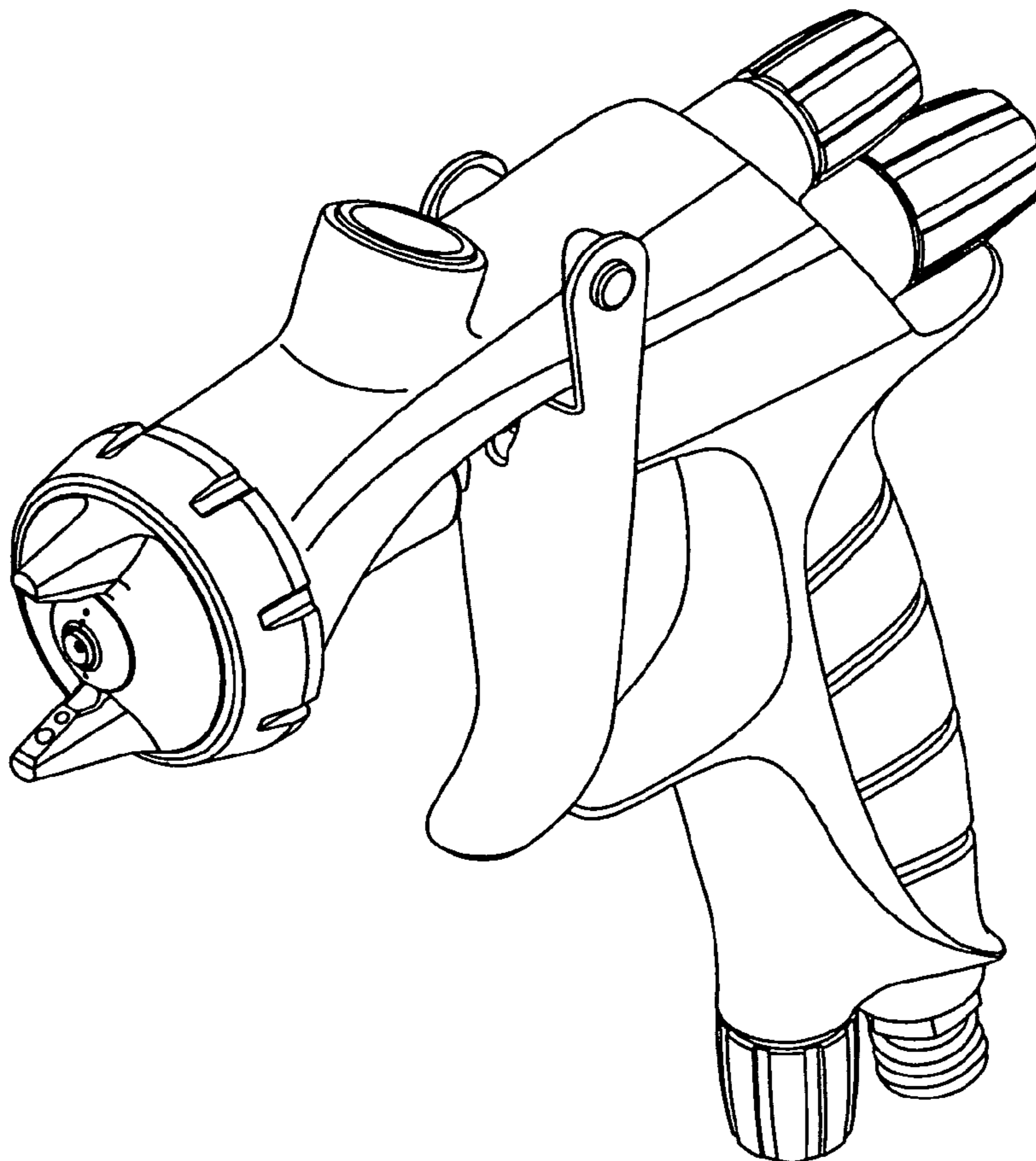


FIG. 1

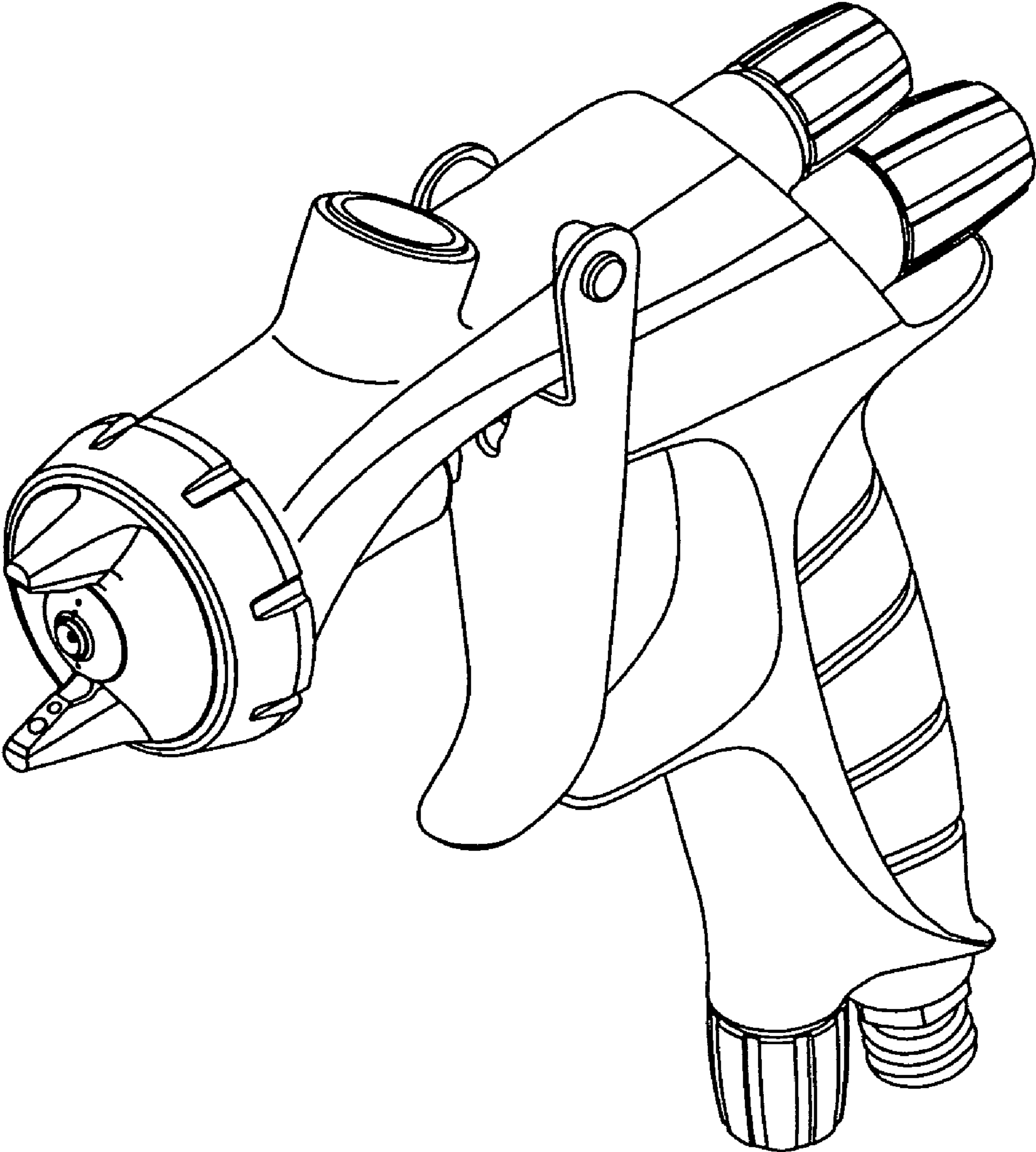


FIG. 2

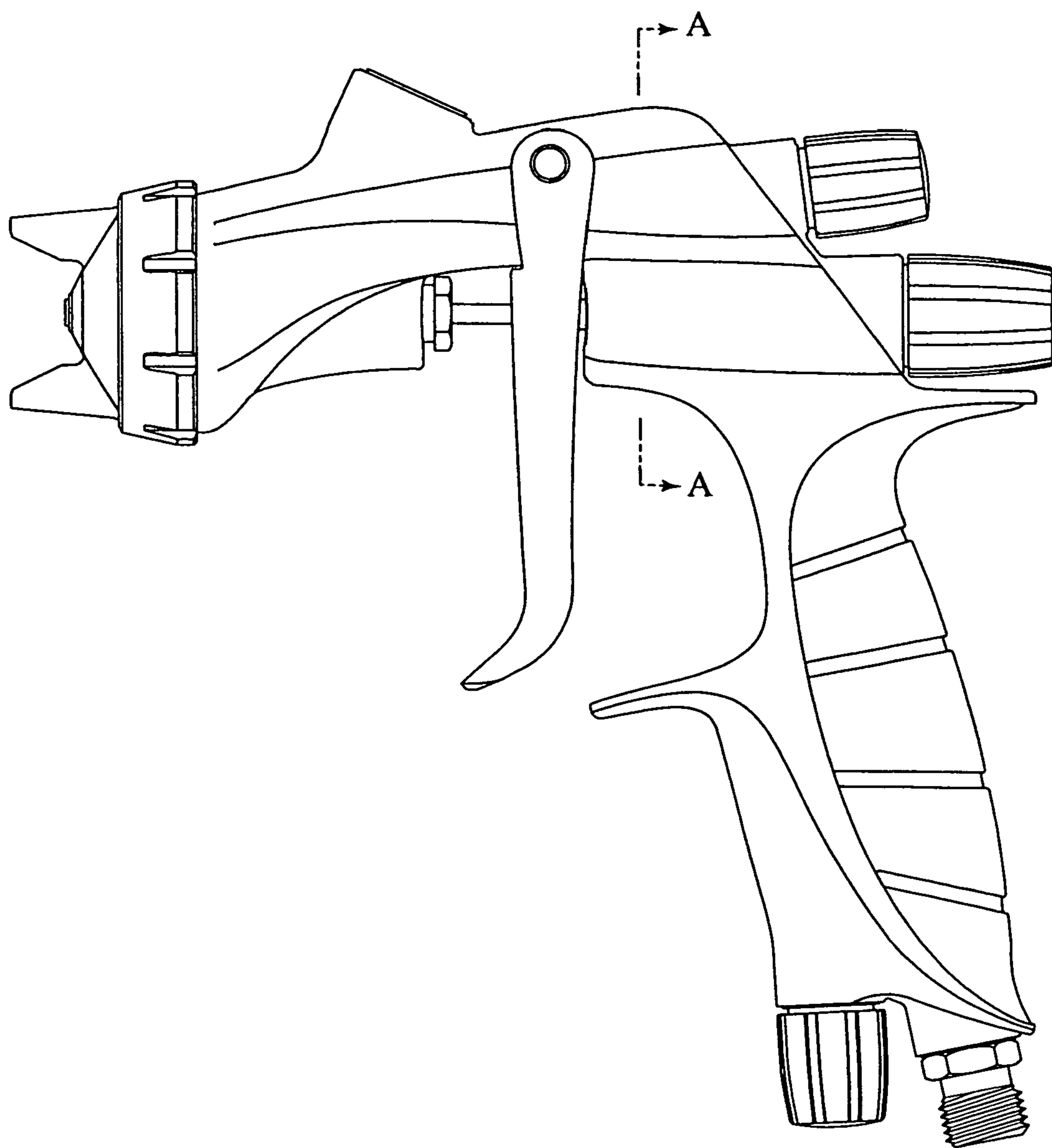


FIG. 3

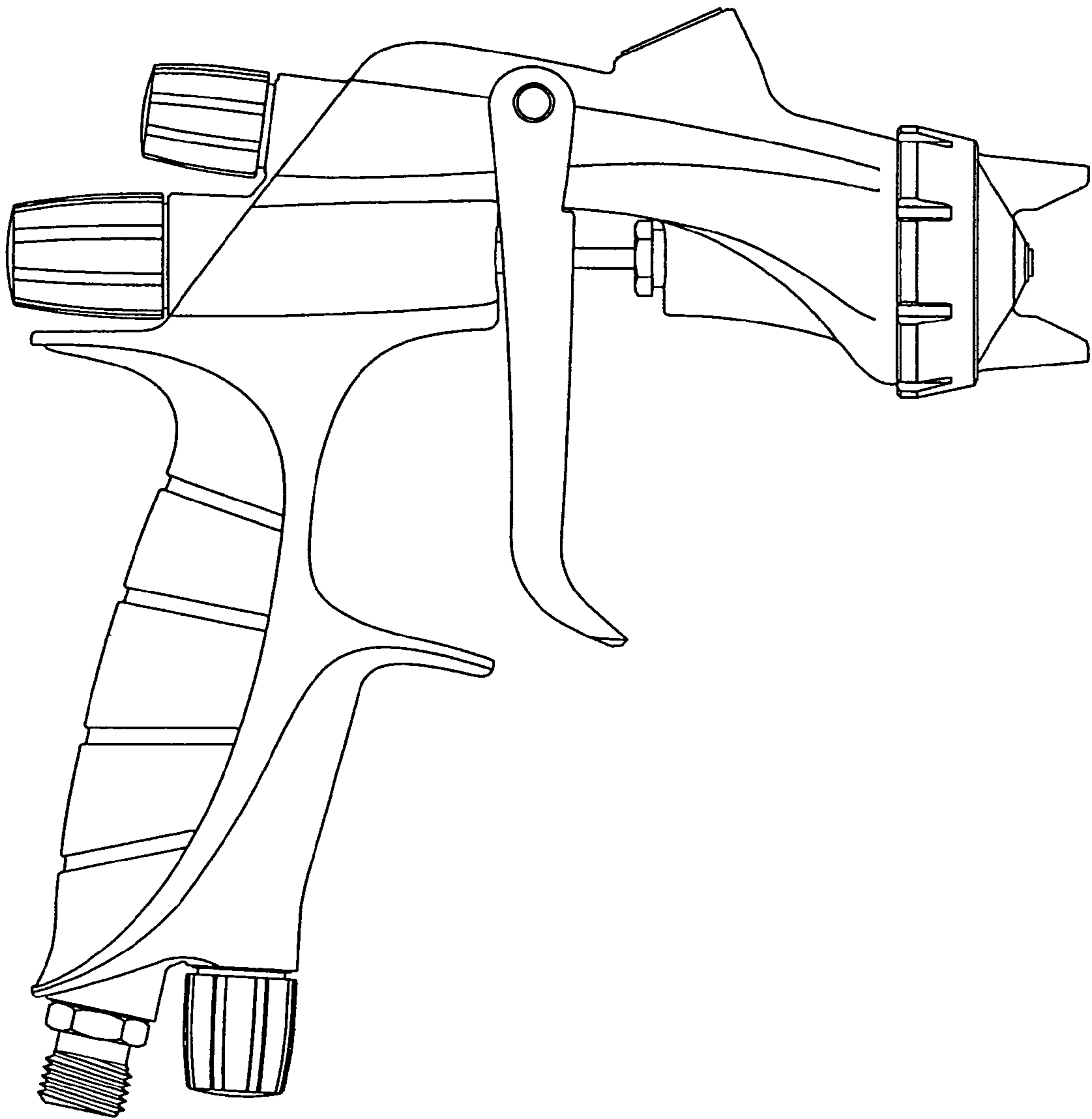


FIG. 4

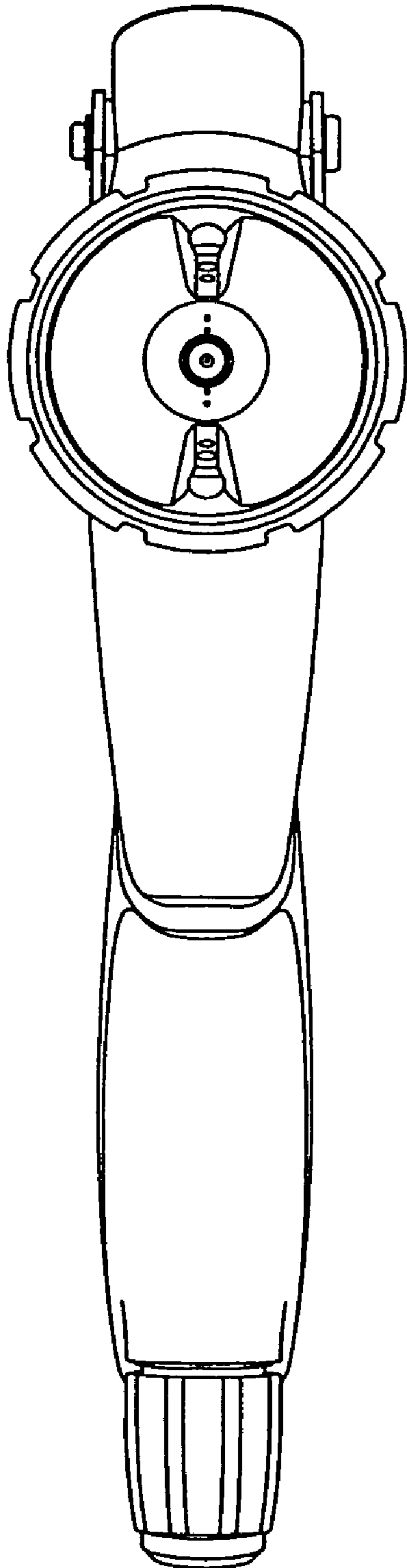


FIG. 5

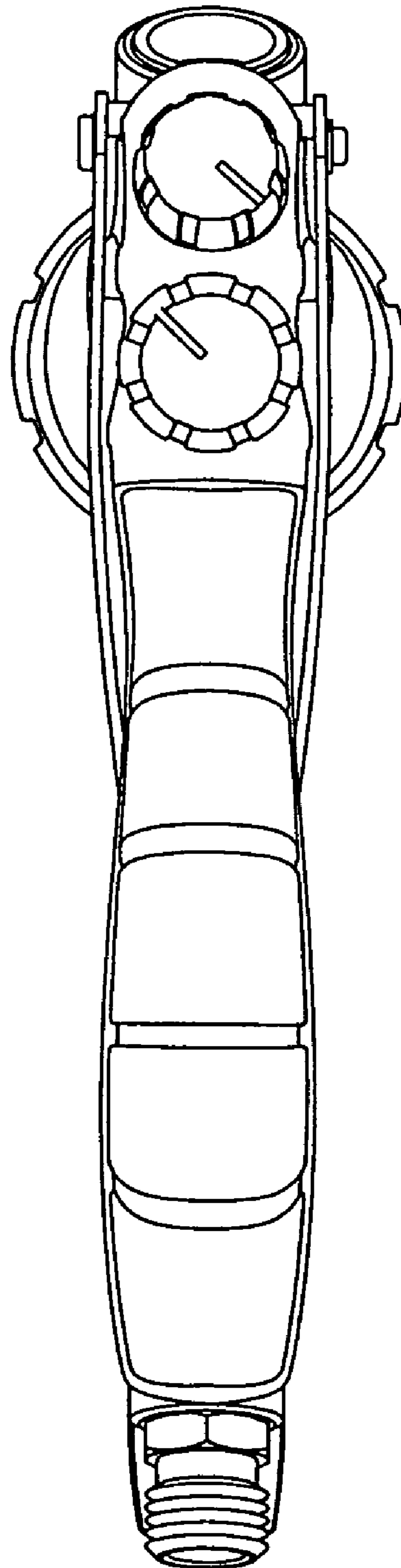


FIG. 6

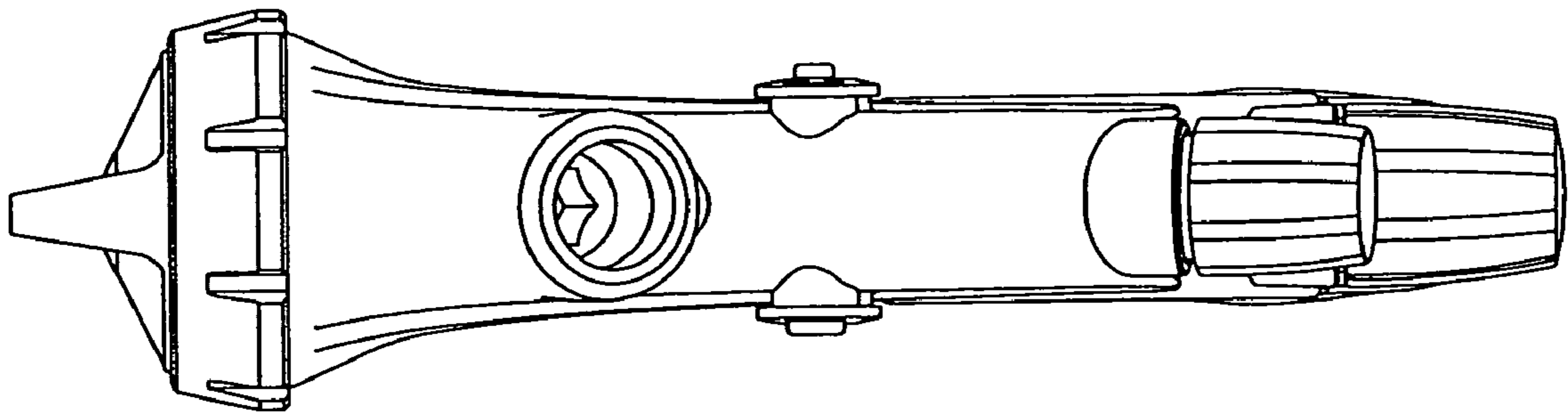


FIG. 7

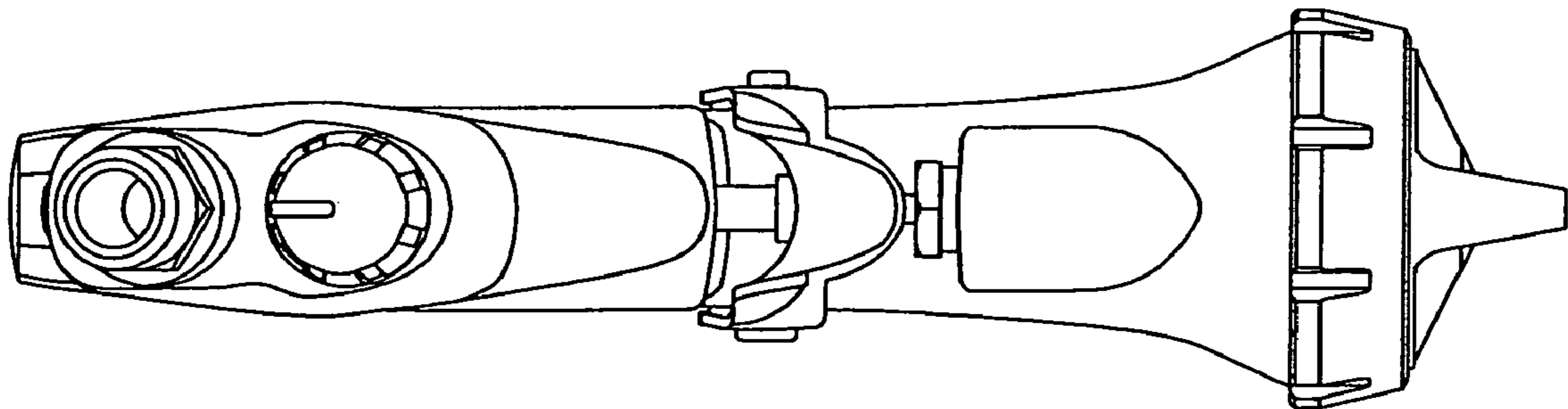


FIG. 8

