



US00D605725S

(12) **United States Design Patent**
Chang et al.

(10) **Patent No.:** **US D605,725 S**

(45) **Date of Patent:** **** Dec. 8, 2009**

(54) **PAPERLESS FIREWORKS**

(76) Inventors: **Gifford K. F. Chang**, 1448 Young St., Suite 18, Honolulu, HI (US) 96814;
Hubert K. H. Chang, 1448 Young St., Suite 18, Honolulu, HI (US) 96814;
Kelfred K. C. Chang, 1448 Young St., Suite 18, Honolulu, HI (US) 96814

(**) Term: **14 Years**

(21) Appl. No.: **29/320,097**

(22) Filed: **Jun. 20, 2008**

(51) **LOC (9) Cl.** **22-03**

(52) **U.S. Cl.** **D22/112**

(58) **Field of Classification Search** D22/112,
D22/199; 86/20.1-22; 102/330, 335-361,
102/366; 446/213, 39; 472/66; D20/17,
D20/40

See application file for complete search history.

(56) **References Cited**

U.S. PATENT DOCUMENTS

D31,454 S	8/1899	Heffner	
2,128,586 A	8/1938	Haslun	
3,744,417 A *	7/1973	Kaneko	102/357
D256,831 S	9/1980	Kaneko	
D269,451 S	6/1983	Treadway	
5,181,775 A *	1/1993	Lan	362/234
5,979,329 A	11/1999	Collar	
D437,648 S *	2/2001	Pappas	D26/6
6,749,481 B1 *	6/2004	Yap et al.	446/213
D499,638 S *	12/2004	Marietta	D22/112
6,899,033 B2 *	5/2005	Marietta	102/361
D529,121 S *	9/2006	Lam	D22/112

FOREIGN PATENT DOCUMENTS

CN	ZL 200420068251.5	7/2004
CN	619546	4/2006
CN	ZL 200630048130.9	3/2007
CN	ZL 200630048131.3	3/2007
JP	2003012069 A *	1/2003

* cited by examiner

Primary Examiner—T. Chase Nelson

Assistant Examiner—Michael A Pratt

(74) *Attorney, Agent, or Firm*—Seth M. Reiss, AAL, ALLLC

(57) **CLAIM**

The ornamental design for paperless fireworks, substantially as shown and described.

DESCRIPTION

FIG. 1 is top front right perspective view of the paperless fireworks of the claimed invention, with tail fuse fully furled for storage and/or sale;

FIG. 2 is a top back right perspective view of the paperless fireworks in fully furled condition;

FIG. 3 is a top plan view thereof;

FIG. 4 is a bottom plan view thereof;

FIG. 5 is a left elevational view thereof;

FIG. 6 is a right elevational view thereof;

FIG. 7 is a front plan view thereof;

FIG. 8 is a back plan view thereof;

FIG. 9 is top front right perspective view of the paperless fireworks of the claimed invention, shown broken away for ease of illustration with tail fuse unfurled for use;

FIG. 10 is a top back right perspective view of the paperless fireworks in unfurled condition;

FIG. 11 is a top plan view thereof;

FIG. 12 is a bottom plan view thereof;

FIG. 13 is a left elevational view thereof;

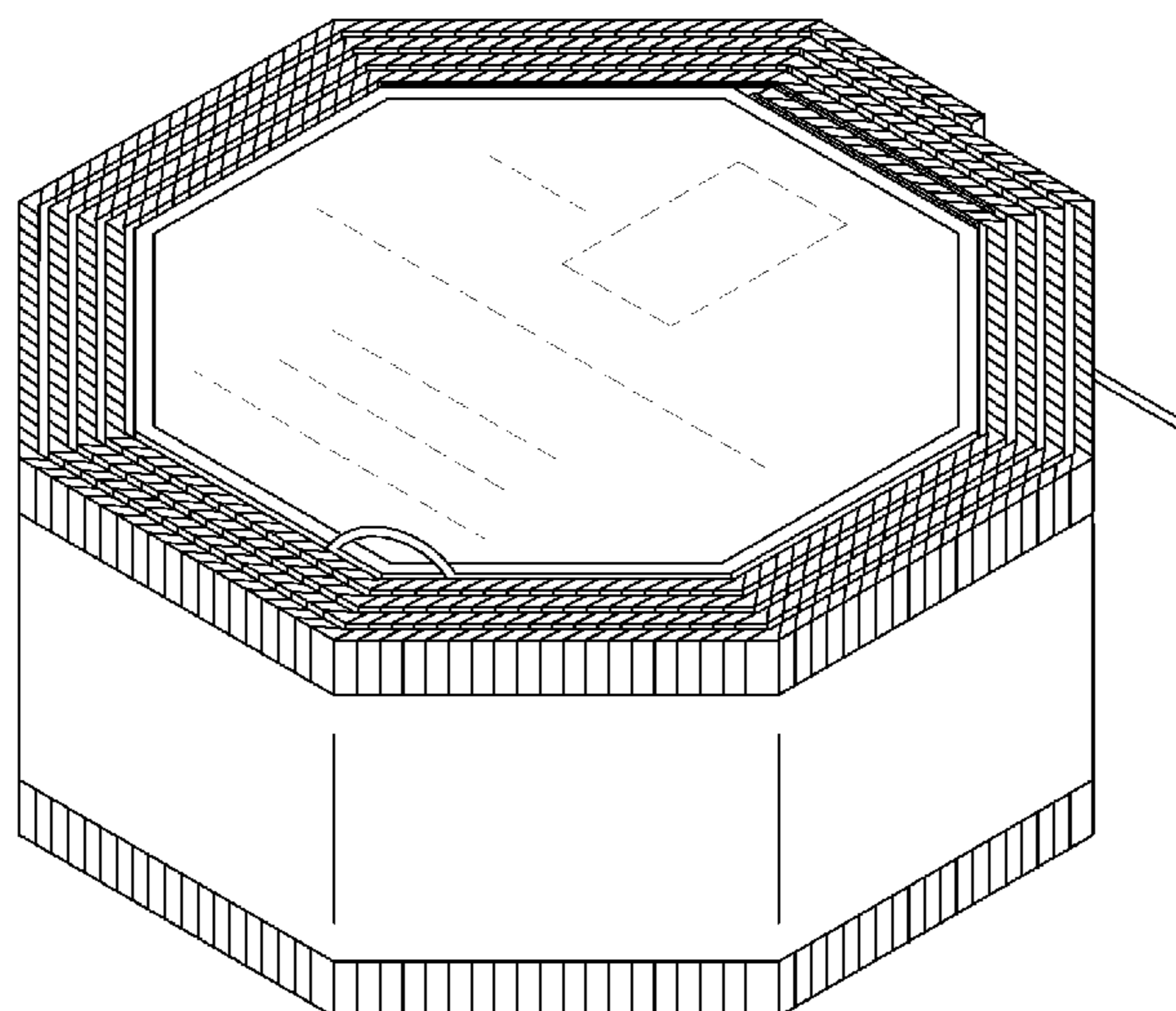
FIG. 14 is a right elevational view thereof;

FIG. 15 is a front plan view thereof; and,

FIG. 16 is a back plan view thereof.

The broken line showing of a surface ornamentation in the figures is for illustrative purposes only and form no part of the claimed design.

1 Claim, 10 Drawing Sheets



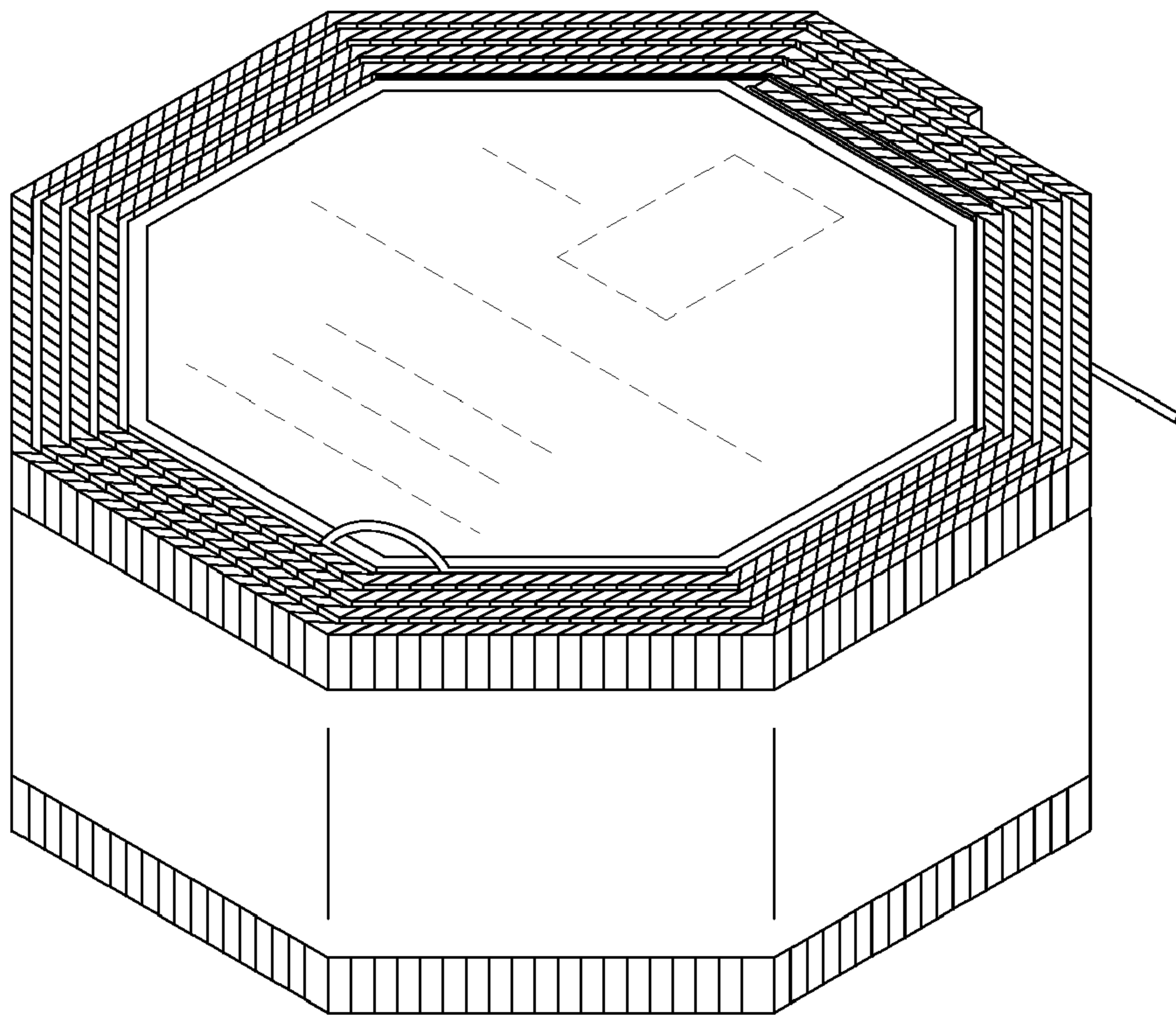


FIG. 1

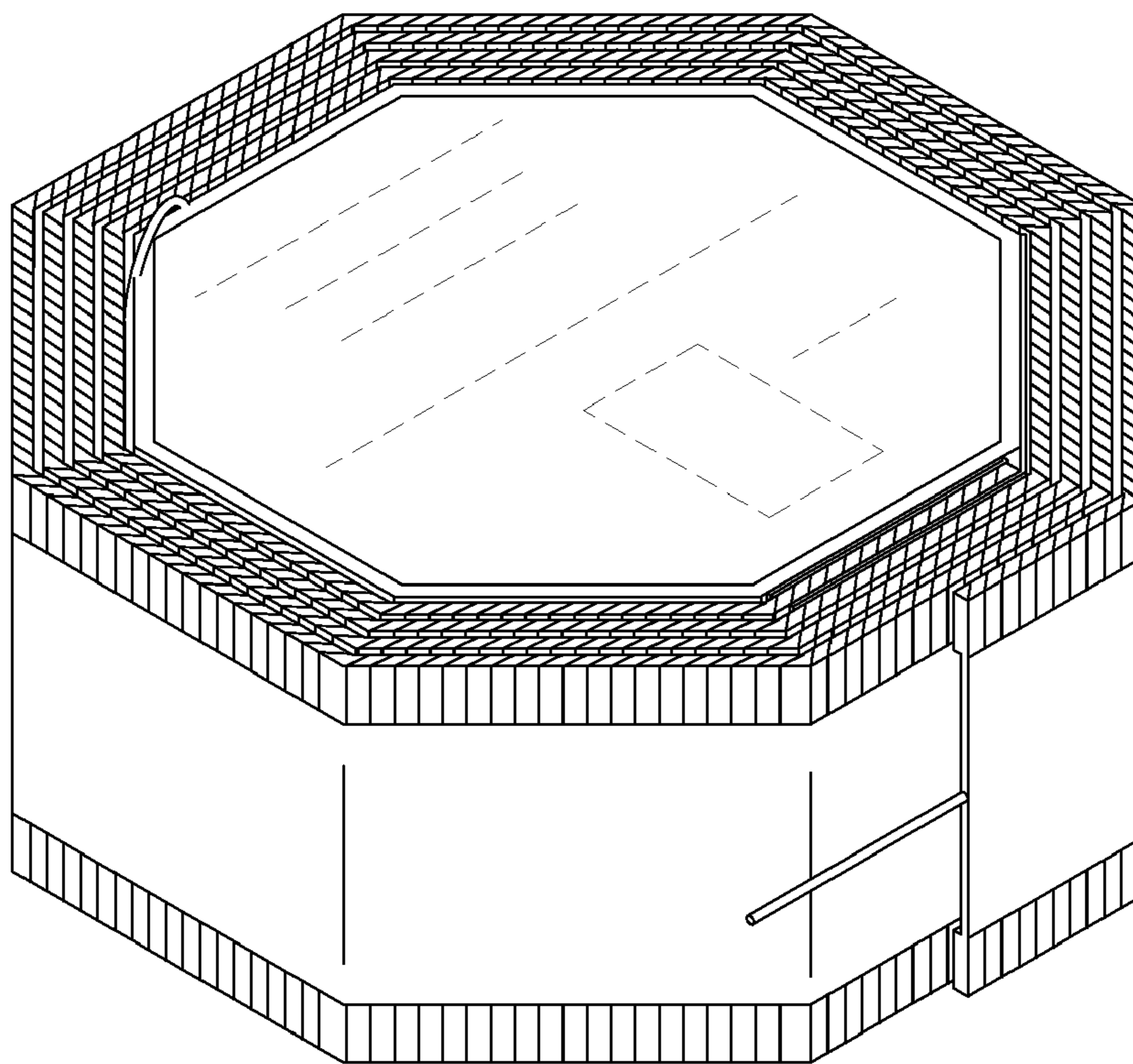


FIG. 2

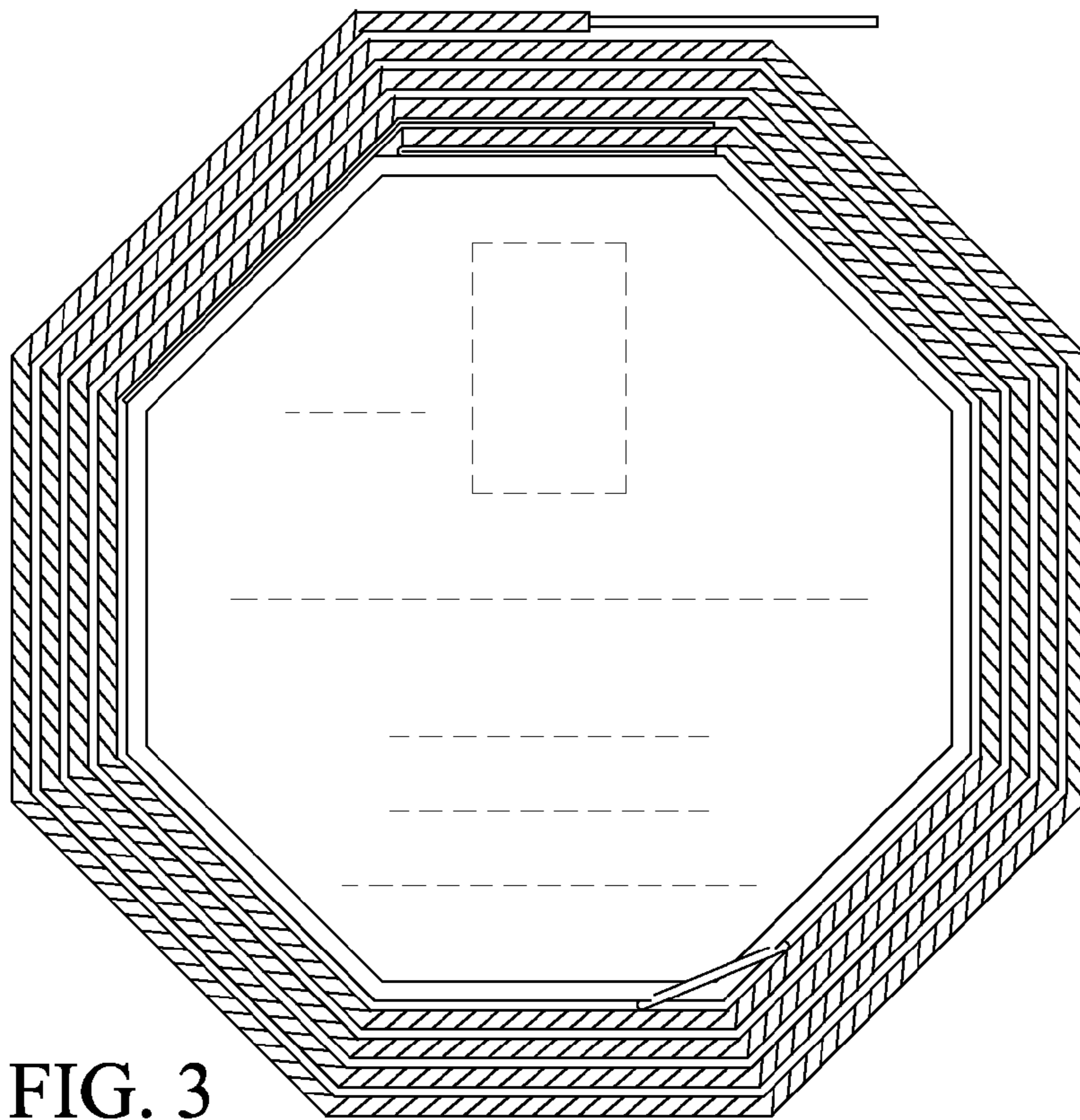


FIG. 3

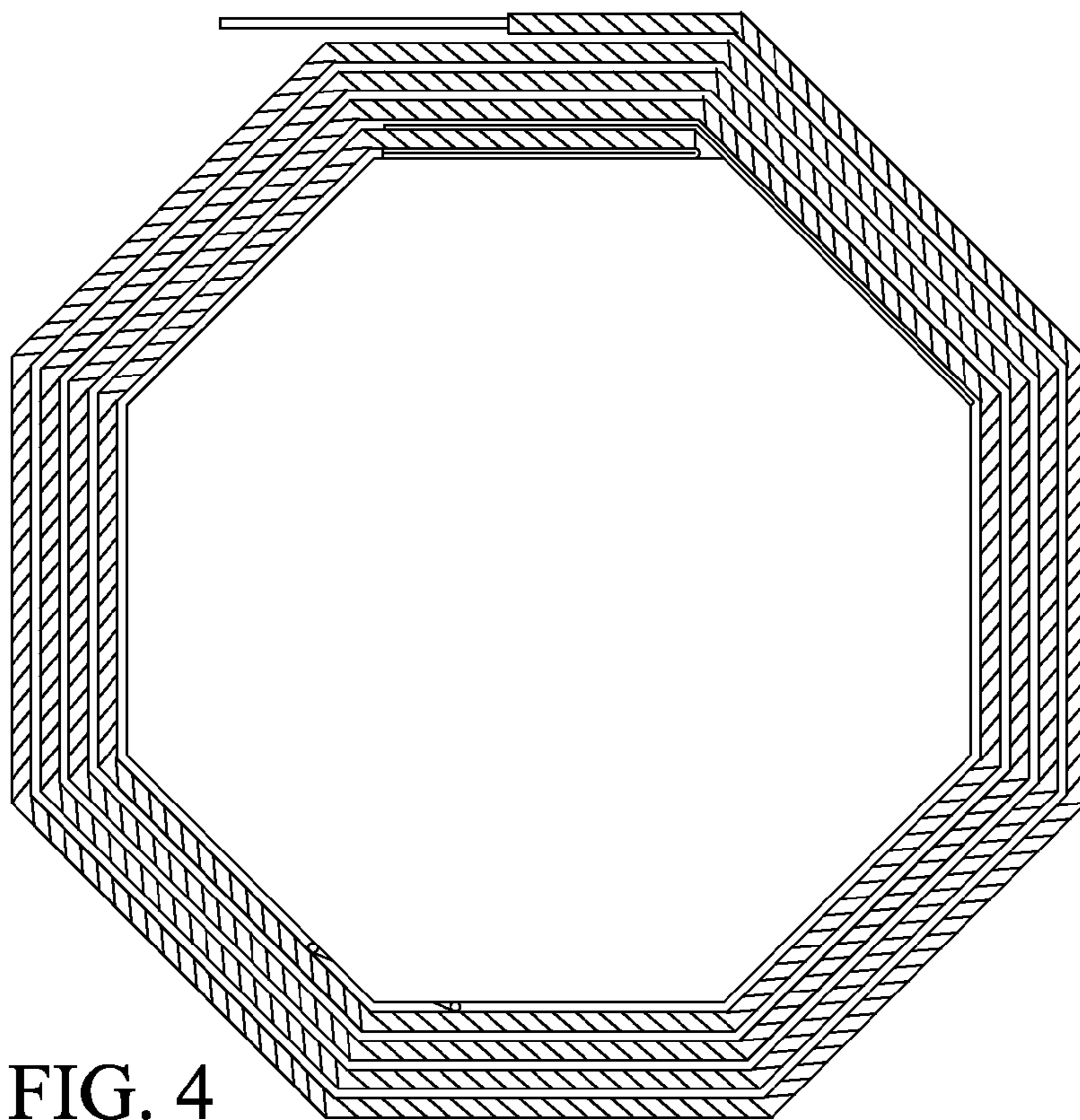


FIG. 4

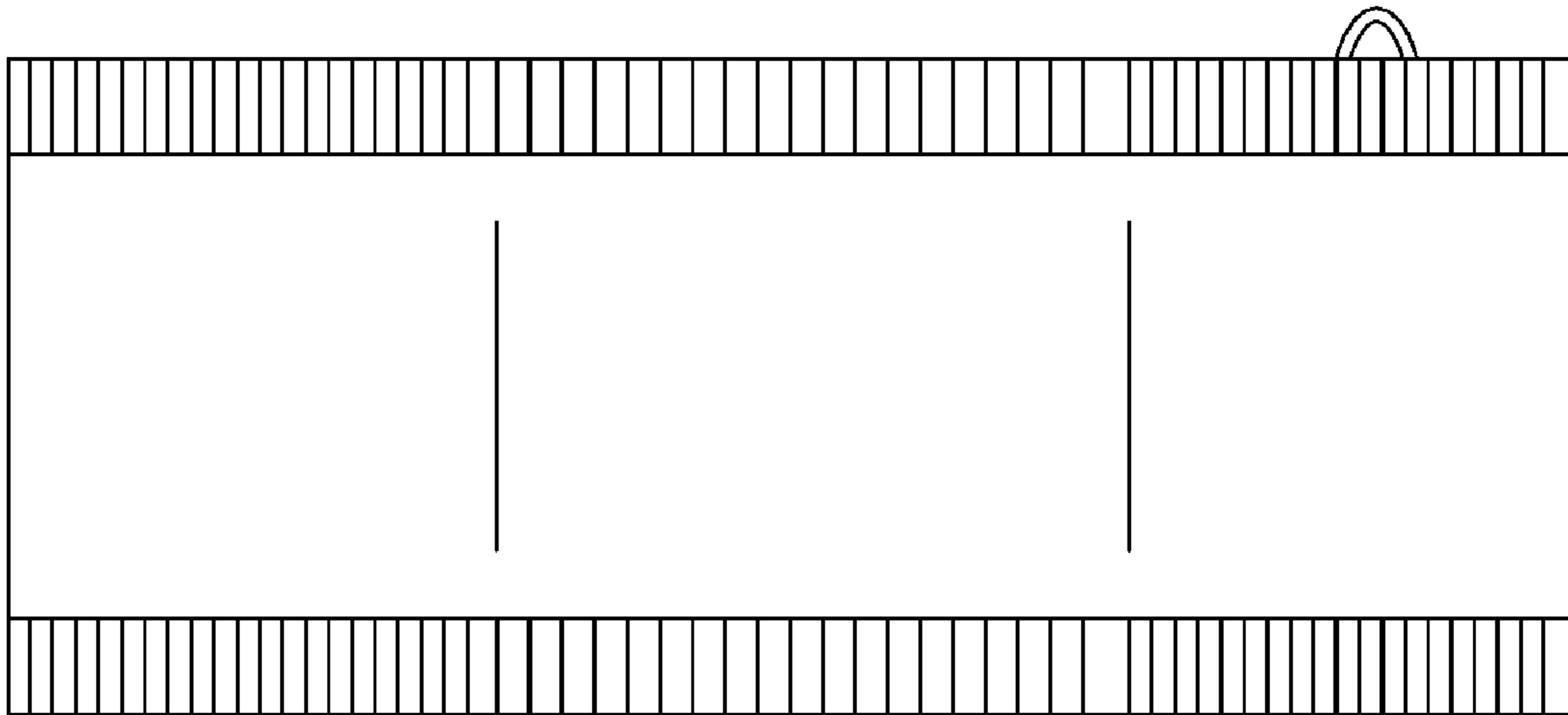


FIG. 5

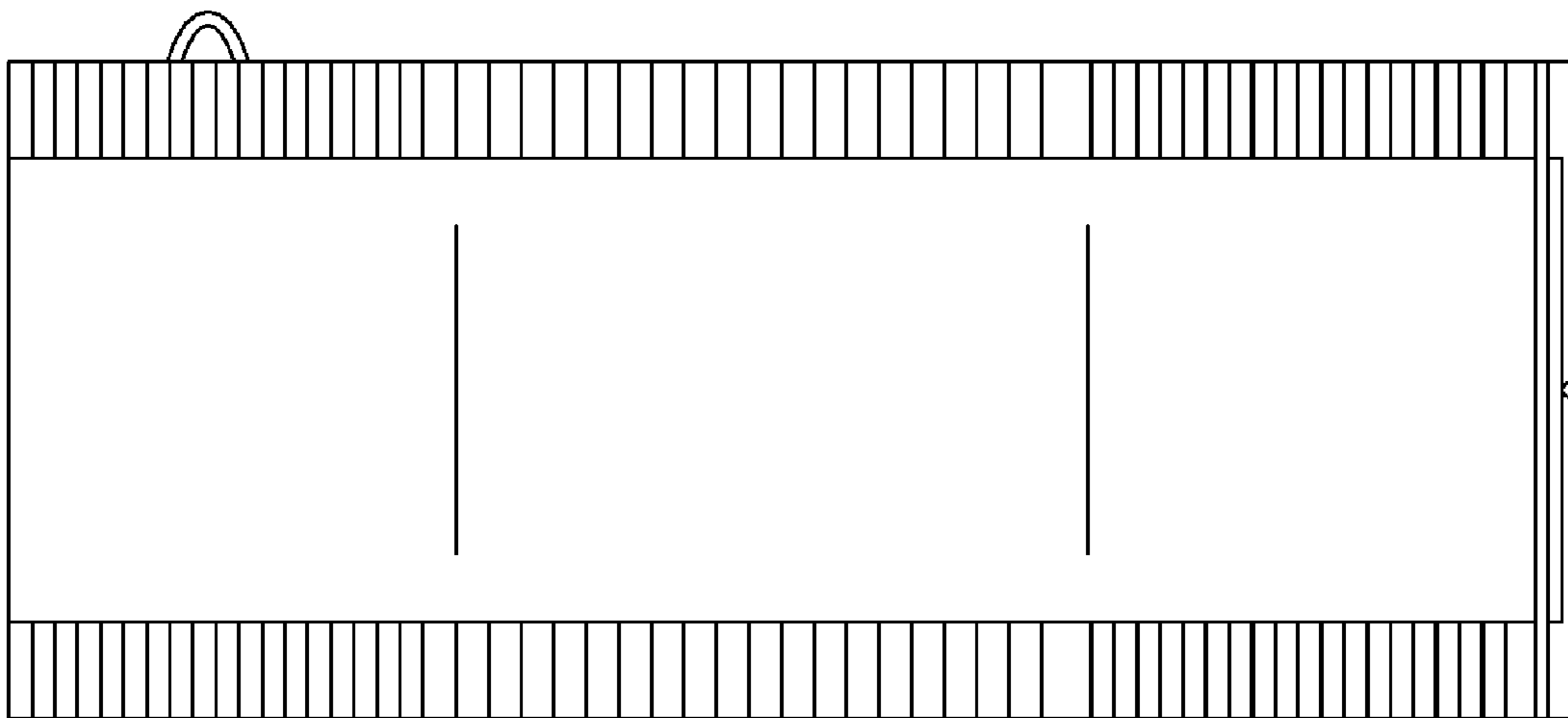


FIG. 6

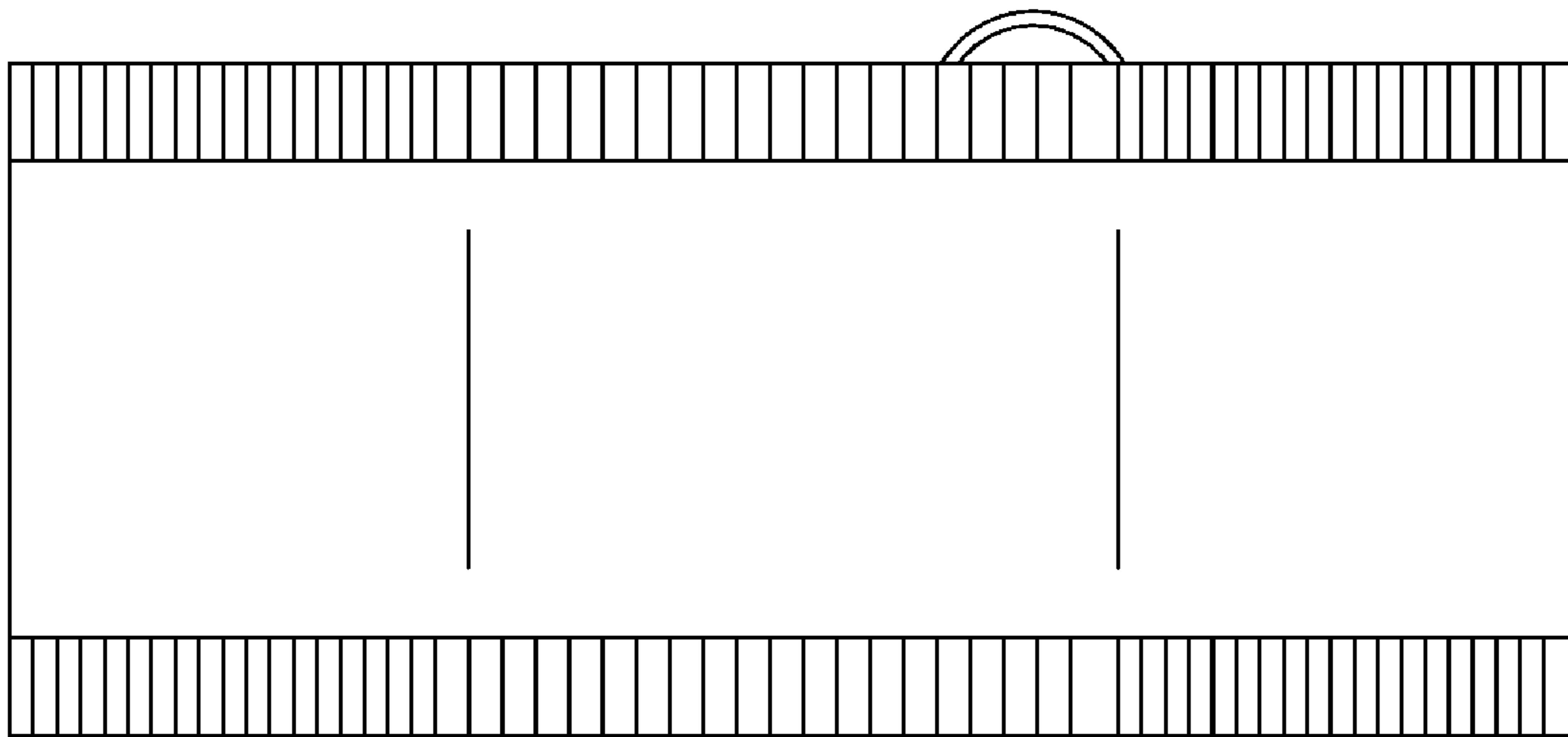


FIG. 7

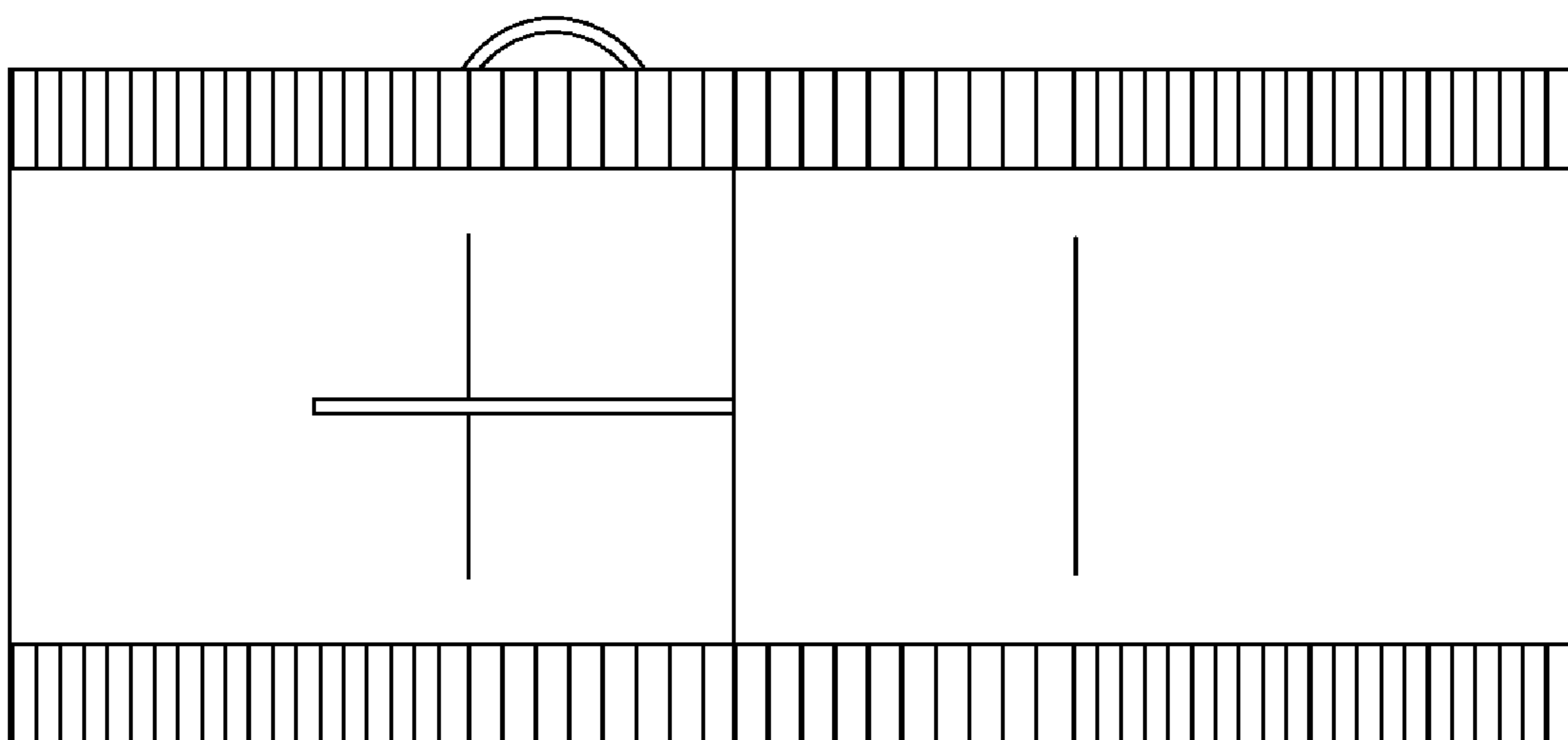


FIG. 8

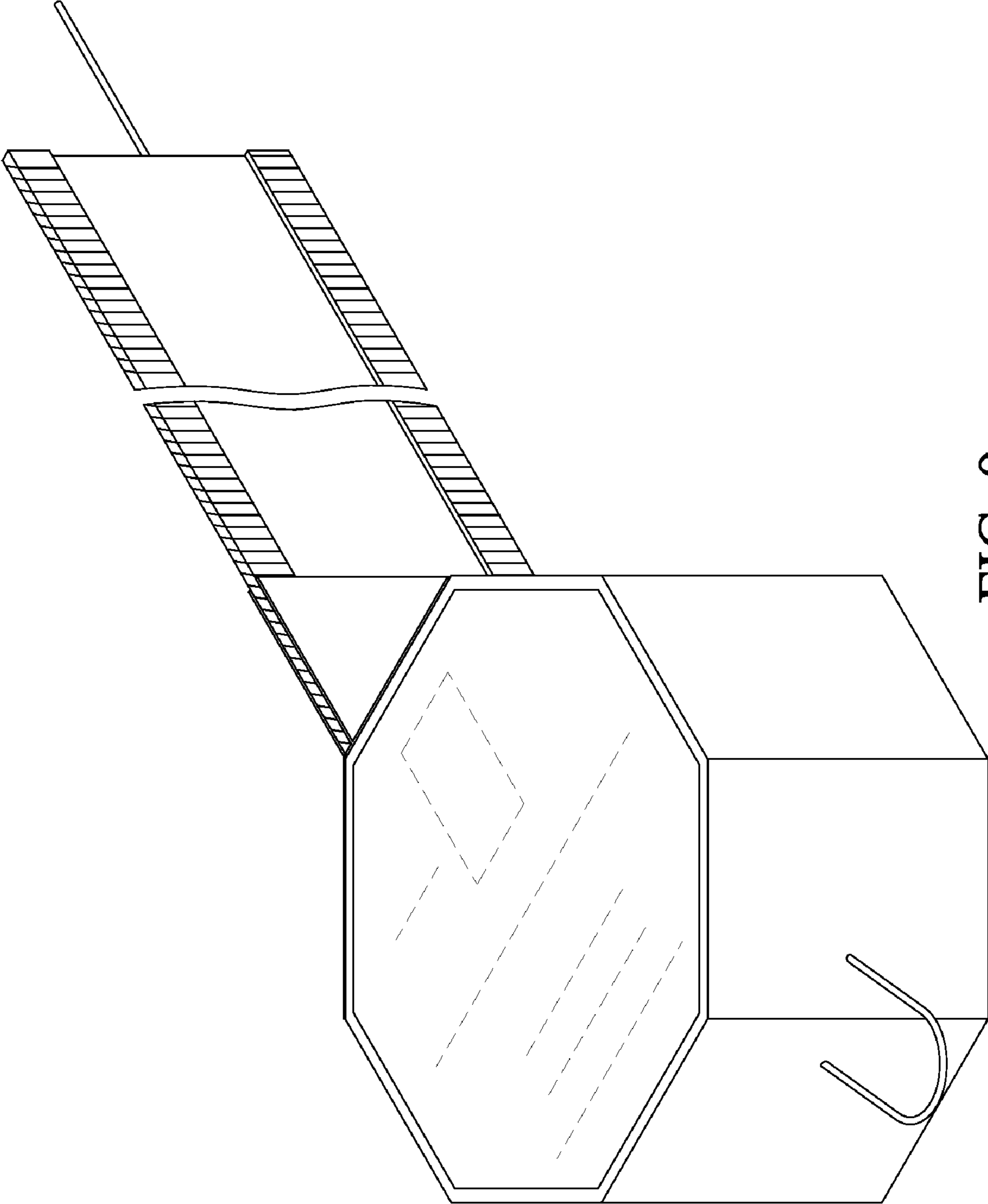


FIG. 9

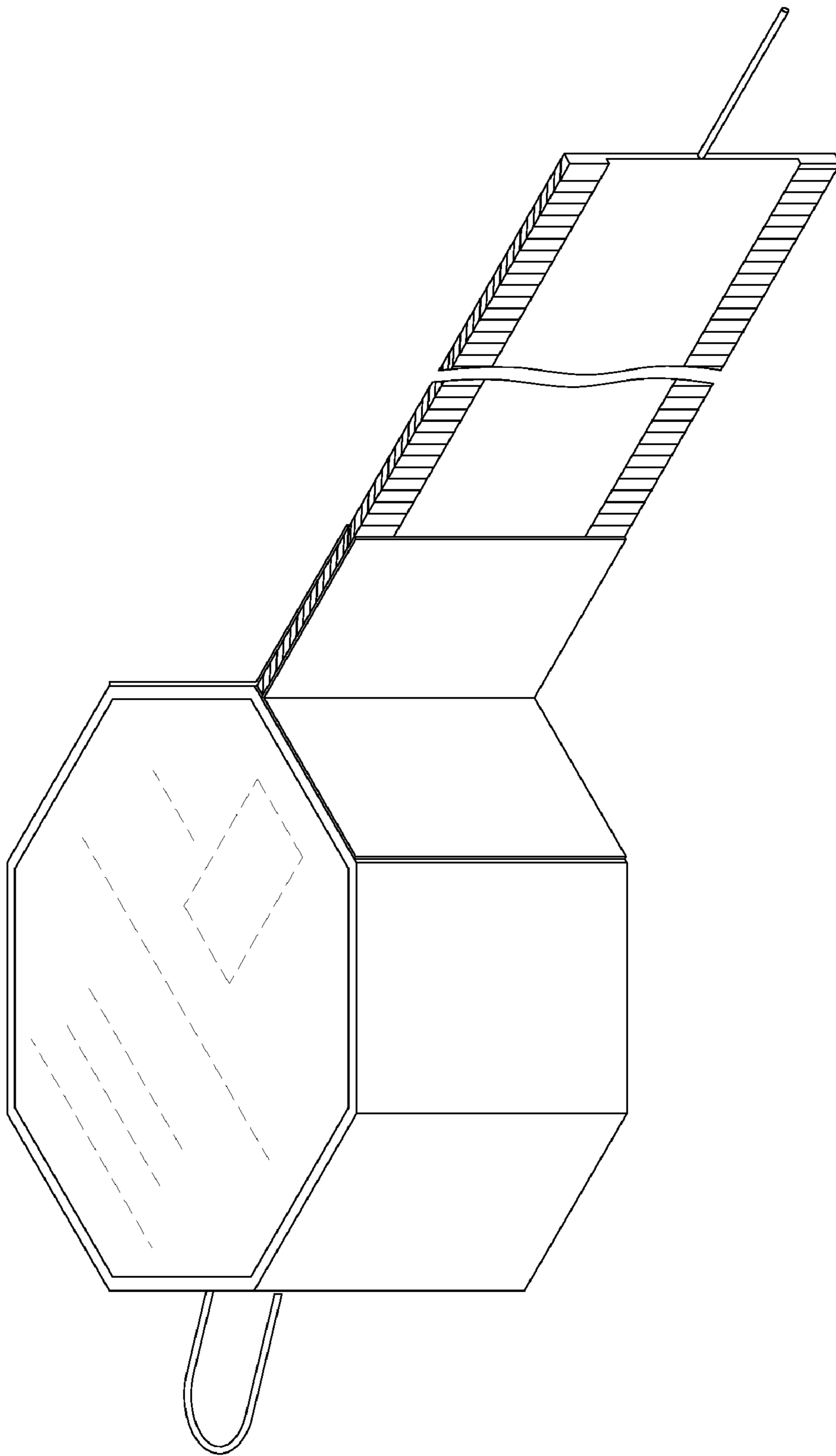


FIG. 10

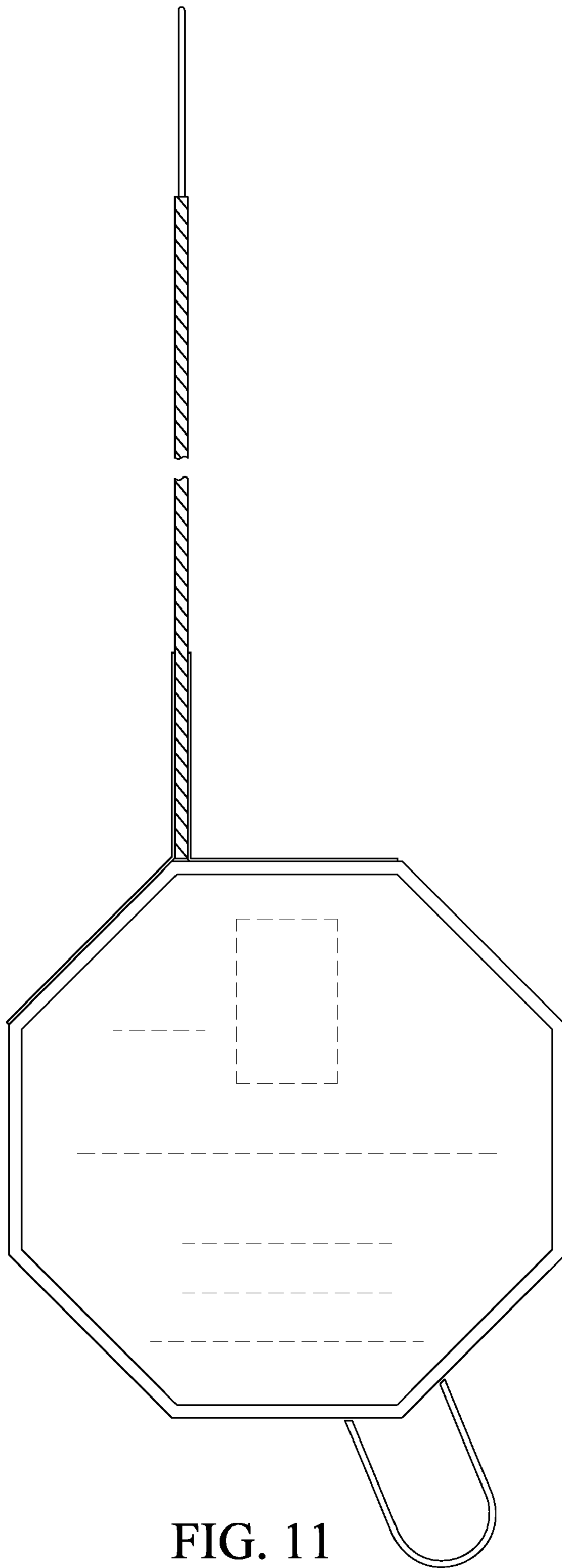


FIG. 11

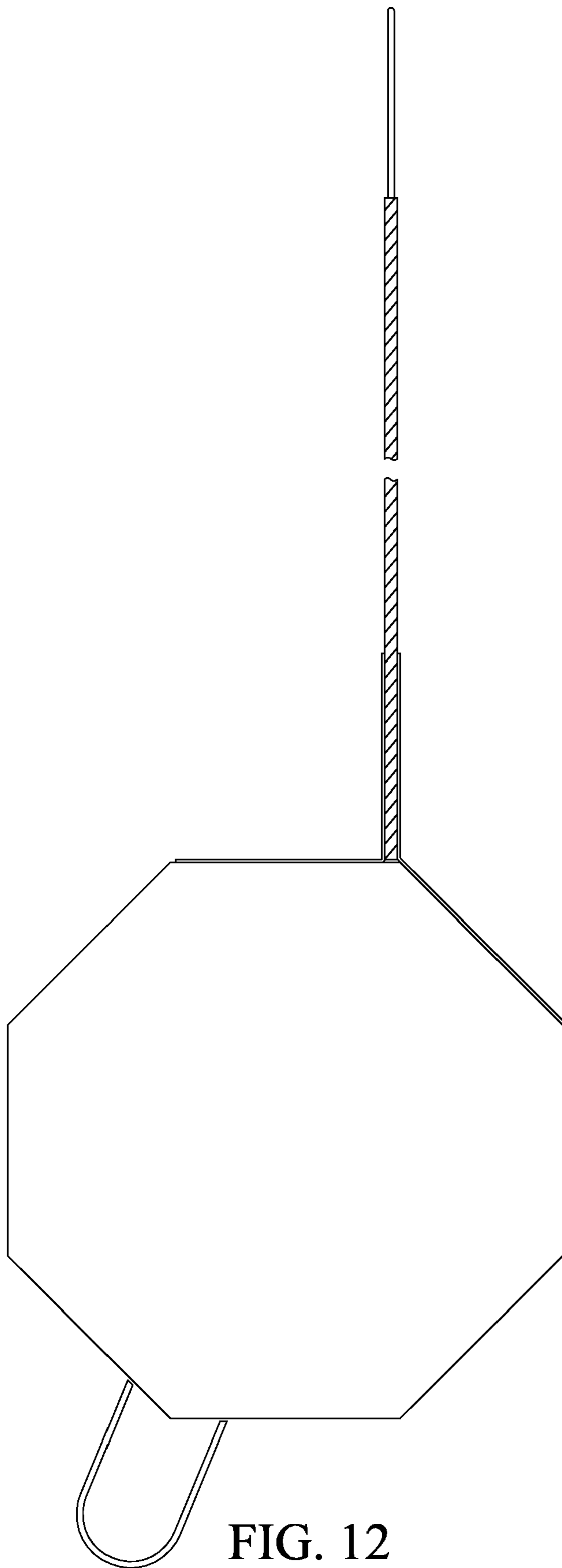


FIG. 12

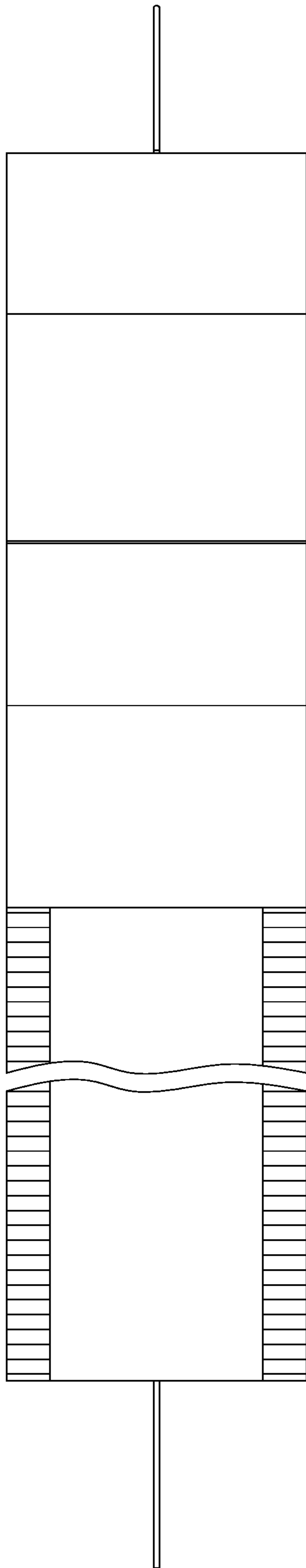


FIG. 13

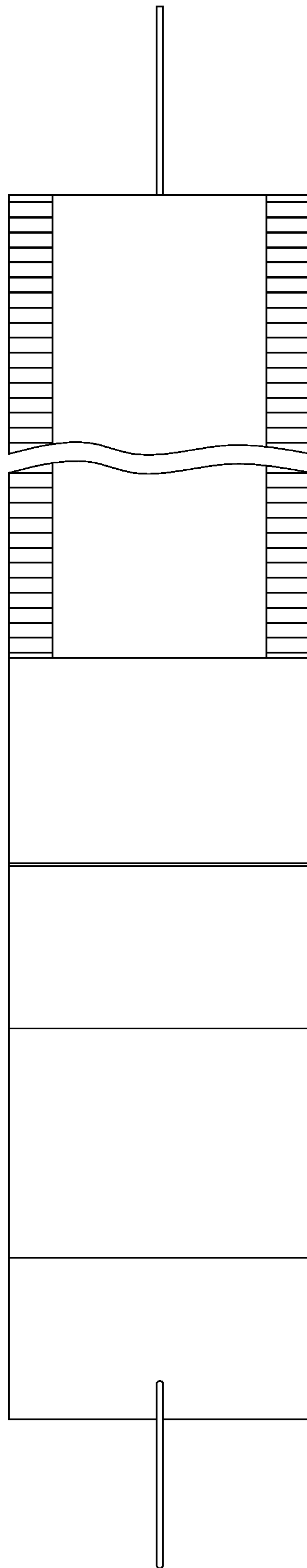


FIG. 14

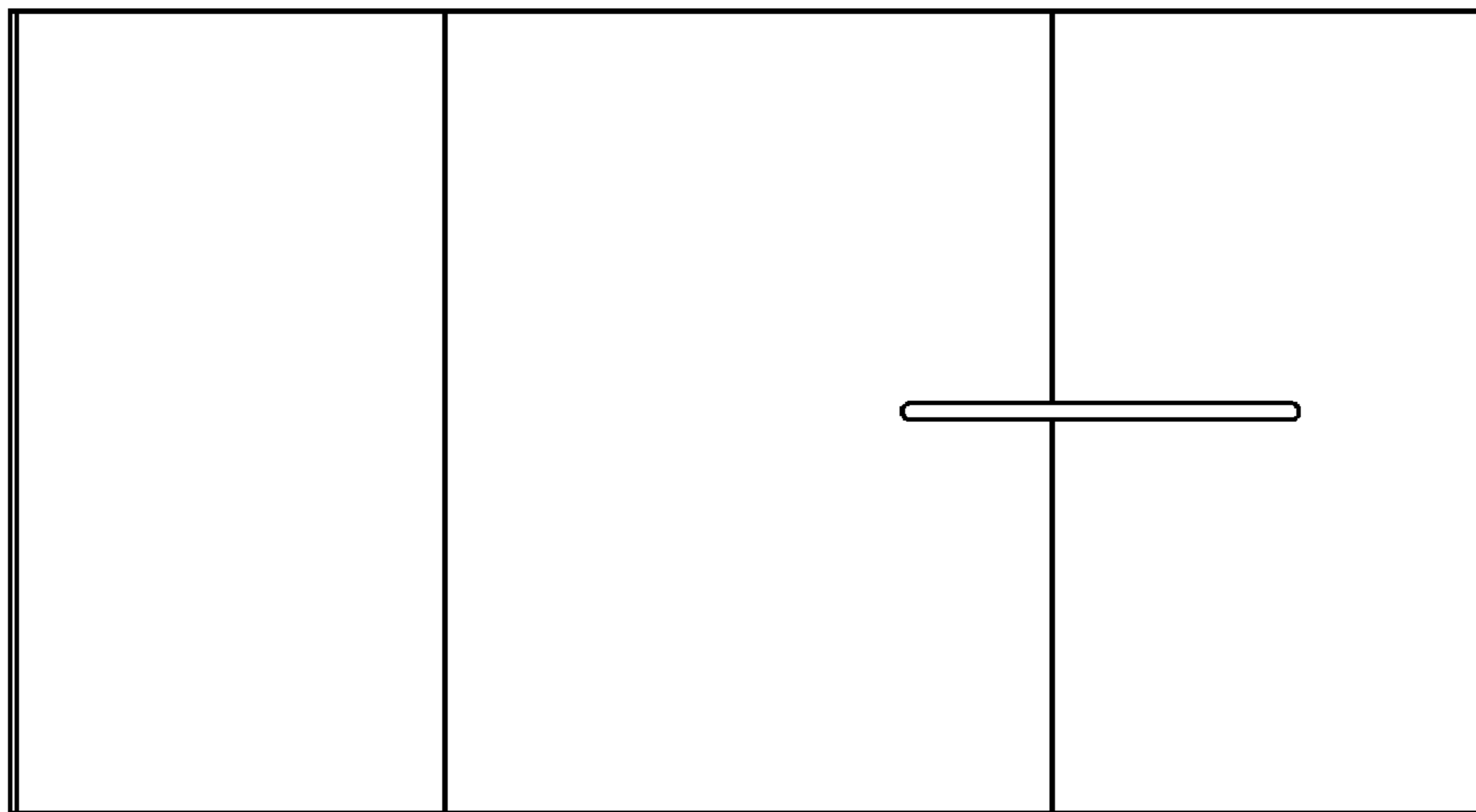


FIG. 15

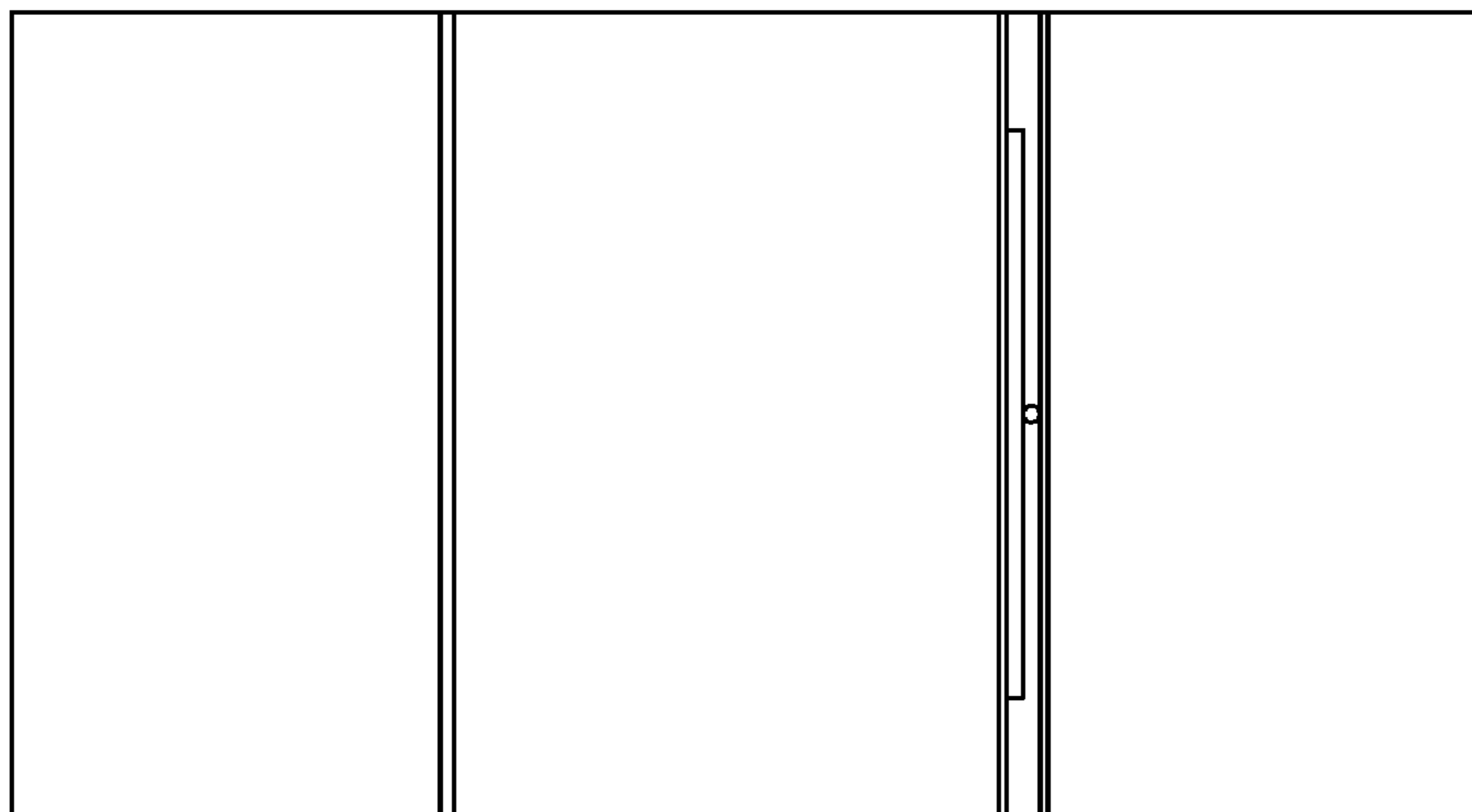


FIG. 16