



US00D605723S

(12) **United States Design Patent**
Rausch et al.

(10) **Patent No.:** **US D605,723 S**

(45) **Date of Patent:** **** Dec. 8, 2009**

(54) **TENT**

(75) Inventors: **Kevin Rausch**, West Lakeland, MN (US); **James Hallar**, Austin, TX (US)

(73) Assignee: **Target Brands, Inc.**, Minneapolis, MN (US)

(**) Term: **14 Years**

(21) Appl. No.: **29/327,132**

(22) Filed: **Oct. 31, 2008**

(51) **LOC (9) Cl.** **21-04**

(52) **U.S. Cl.** **D21/834**

(58) **Field of Classification Search** D21/834,
D21/836-839; D25/13, 16, 17, 18, 20, 26,
D25/32, 56, 57; 135/87, 90, 96-99, 121,
135/124-128, 135, 143, 157, 117, 900, 908,
135/115; 296/158-161

See application file for complete search history.

(56) **References Cited**

U.S. PATENT DOCUMENTS

D208,520 S	9/1967	Chorey	
D218,378 S	8/1970	Gretz	
3,547,136 A	12/1970	Prinz	
D222,571 S	11/1971	Gretz	
3,623,762 A	11/1971	Fagen	
3,652,122 A	3/1972	Beauregard	
3,844,300 A	10/1974	Sanders	
3,943,952 A	3/1976	Marquart et al.	
4,084,597 A	4/1978	Compton	
4,198,996 A	4/1980	Keable et al.	
4,465,087 A	8/1984	Ferguson	
4,709,718 A *	12/1987	Nichols	135/125
5,031,652 A	7/1991	Lester	
D325,063 S *	3/1992	Cantwell	D21/834

(Continued)

OTHER PUBLICATIONS

“Swiss Gear Kandersteg I Family Dome Tent,” <http://www.joessports.com/product/index.jsp?productId=3121104>, available online at least as early as Aug. 13, 2008, 3 pages.

“Swiss Gear Kandersteg I Family Dome Tent,” <http://www.joessports.com/product/index.jsp?productId=3121104>, available online at least as early as Aug. 13, 2008, 3 pages.

“Every Dome, Canvas, Cabin, or Screen Tent for your Camping Vacation,” Pinnacle Tents, <http://www.camptents.com>, undated, 18 pages.

Primary Examiner—Holly H Baynham

Assistant Examiner—Cynthia M Chin

(74) *Attorney, Agent, or Firm*—Griffiths & Seaton PLLC

(57) **CLAIM**

The ornamental design for a tent, as shown and described.

DESCRIPTION

FIG. 1 is a front perspective view of a tent showing our new design;

FIG. 2 is a front view thereof;

FIG. 3 is a rear view thereof;

FIG. 4 is a right side view thereof, the left side view being a mirror image of the right side view;

FIG. 5 is a top view thereof; and

FIG. 6 is an alternate top view thereof with all broken lines removed to clearly illustrate the claimed design.

FIG. 7 is a front perspective view of the tent of FIG. 1 with an alternate fabric choice shown in broken lines;

FIG. 8 is a front view thereof;

FIG. 9 is a rear view thereof;

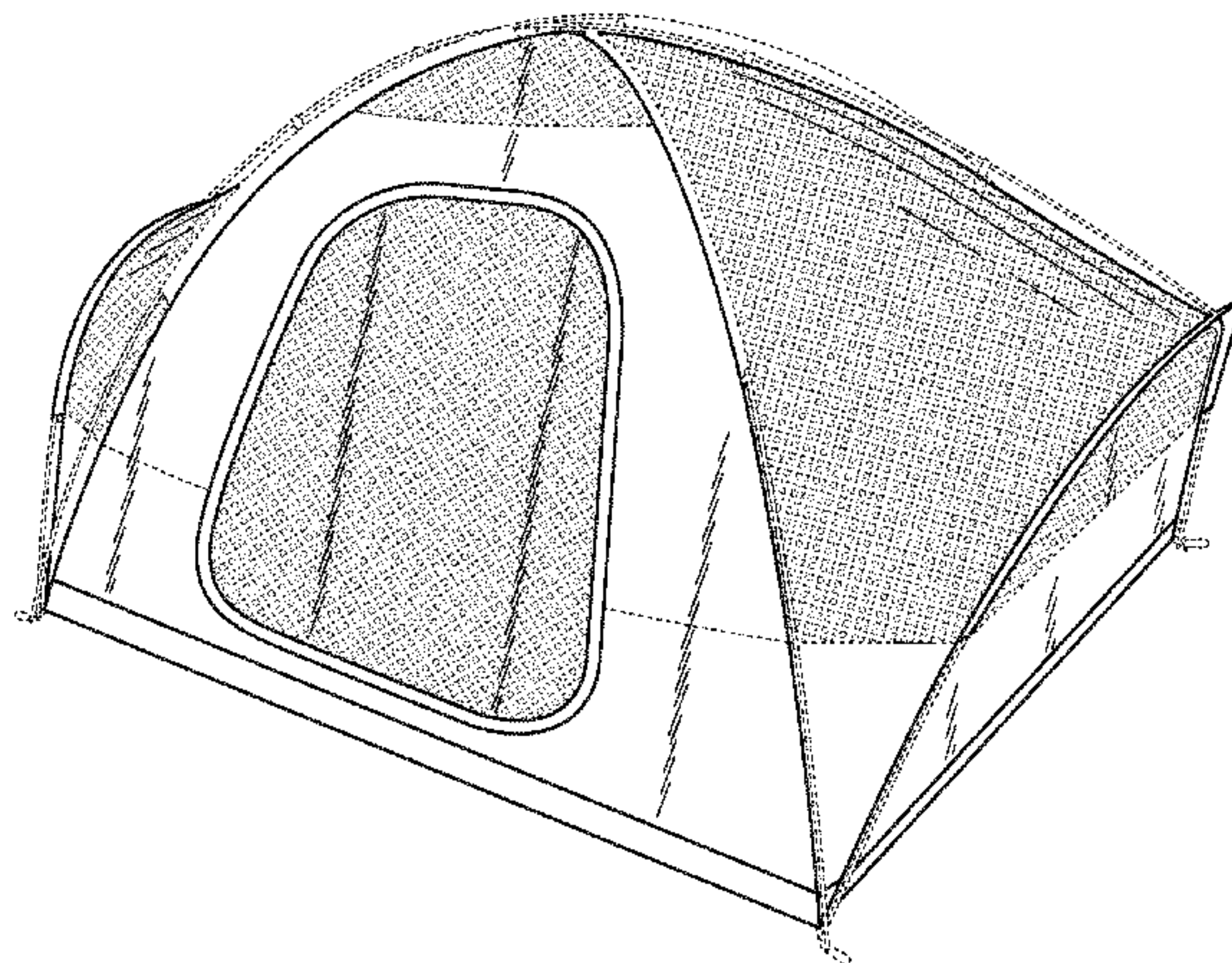
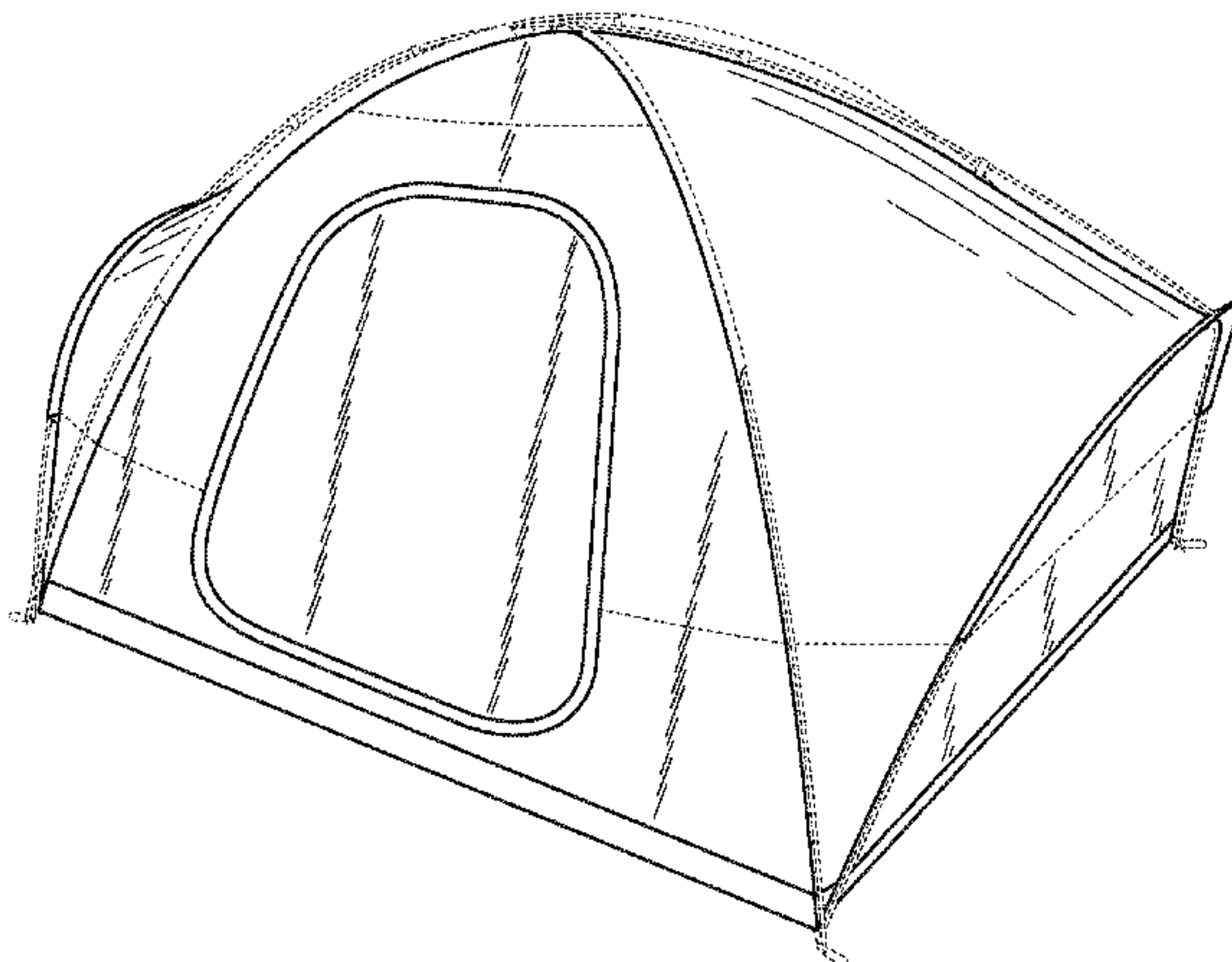
FIG. 10 is a right side view thereof, the left side view being a mirror image of the right side view;

FIG. 11 is a top view thereof; and,

FIG. 12 is an alternate top view thereof with all broken lines removed to clearly illustrate the claimed design.

The broken lines shown in the figures are for illustrative purposes only and form no part of the claimed design.

1 Claim, 12 Drawing Sheets



US D605,723 S

Page 2

U.S. PATENT DOCUMENTS

5,617,681	A	4/1997	Lyons				
5,642,750	A	7/1997	Brown et al.				
D403,041	S	* 12/1998	Funk	D21/834			
5,906,217	A	5/1999	Hill				
D420,414	S	* 2/2000	Lah	D21/834			
D457,590	S	* 5/2002	Olson et al.	D21/834			
					D470,559	S	* 2/2003 Funk et al. D21/834
					D505,175	S	5/2005 Wehner
					D534,614	S	* 1/2007 Gallaway et al. D21/834
					D562,930	S	* 2/2008 Poulson et al. D21/834
					D564,615	S	3/2008 Ruben et al.
					2004/0168715	A1	9/2004 Wang

* cited by examiner

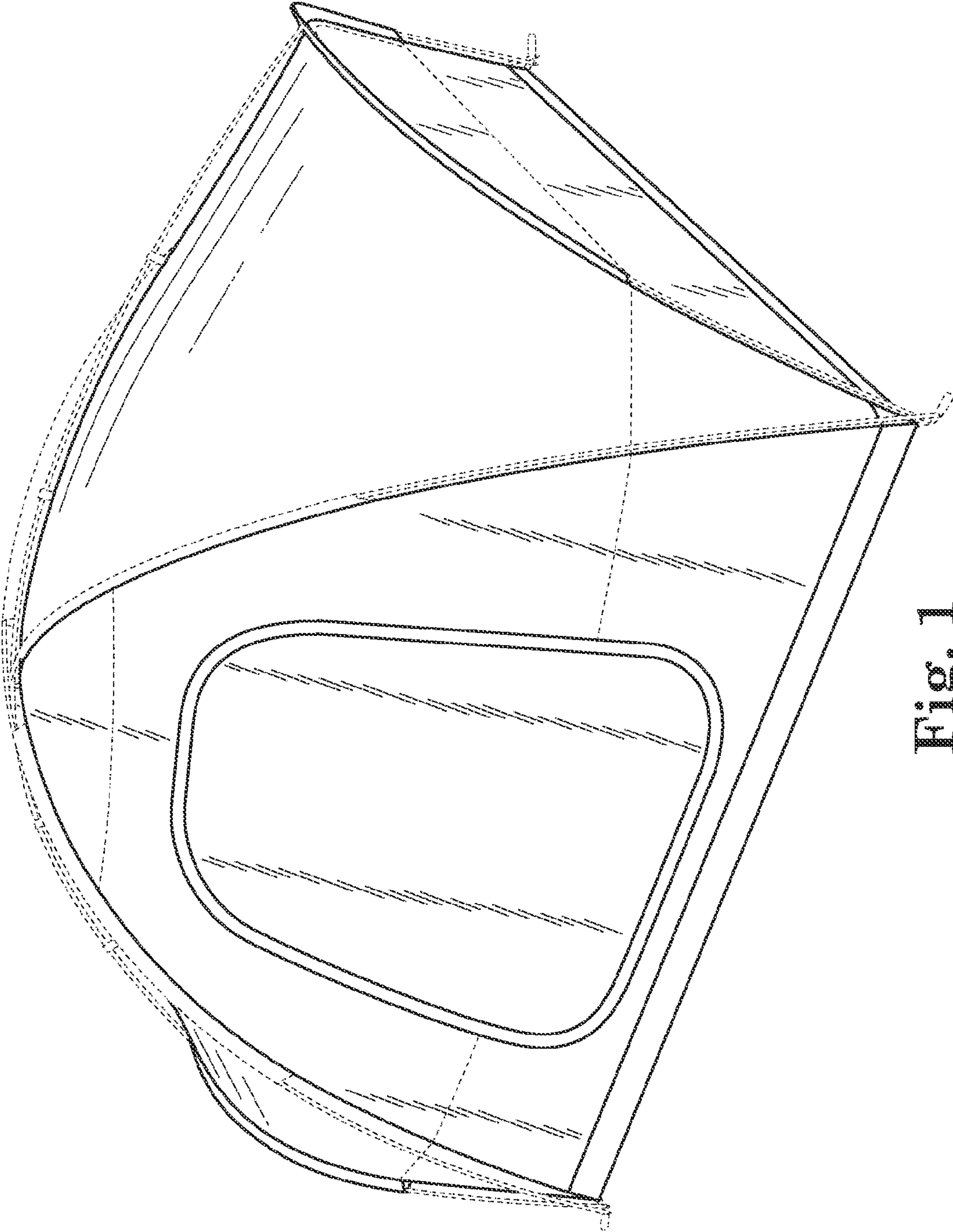


Fig. 1

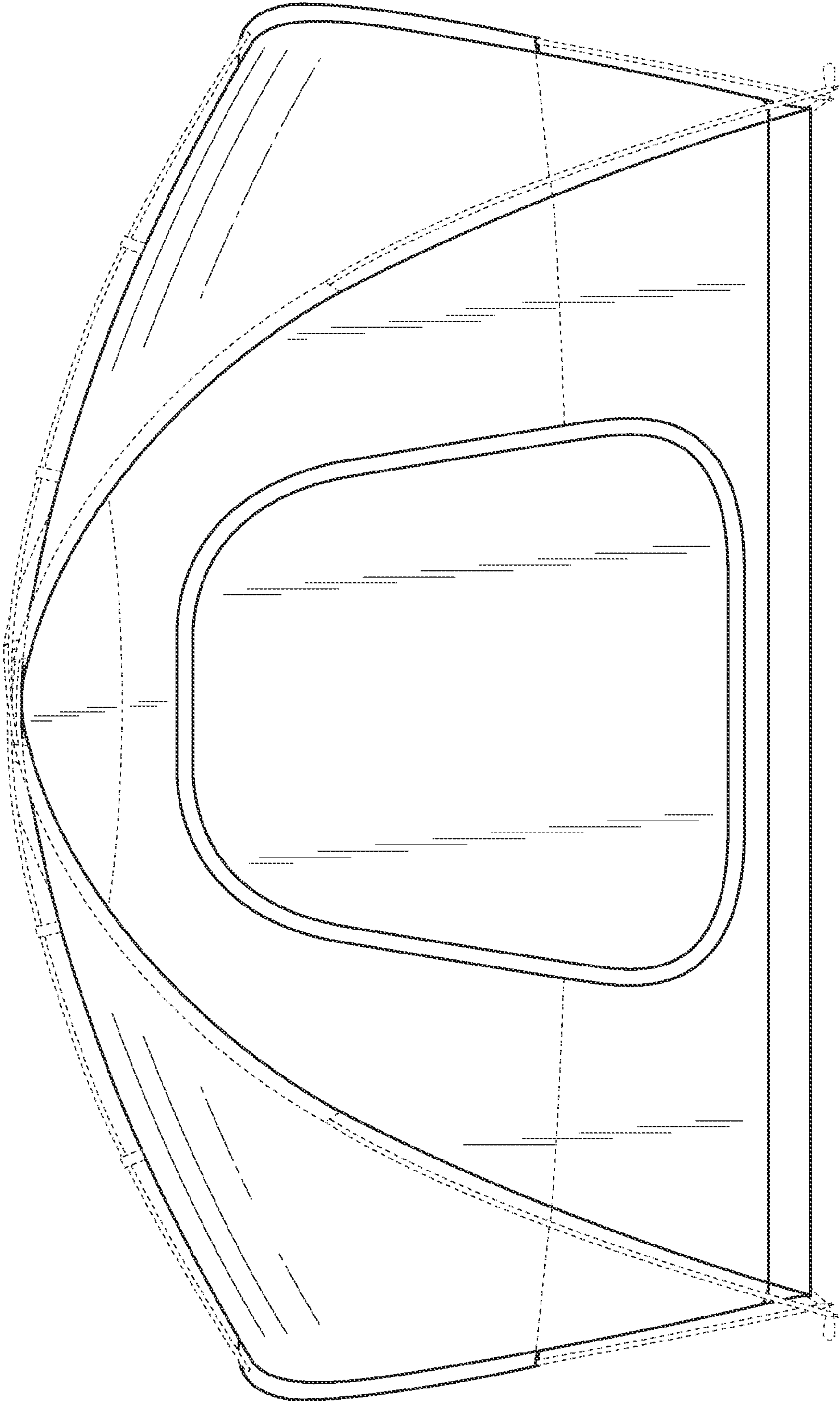


Fig. 2

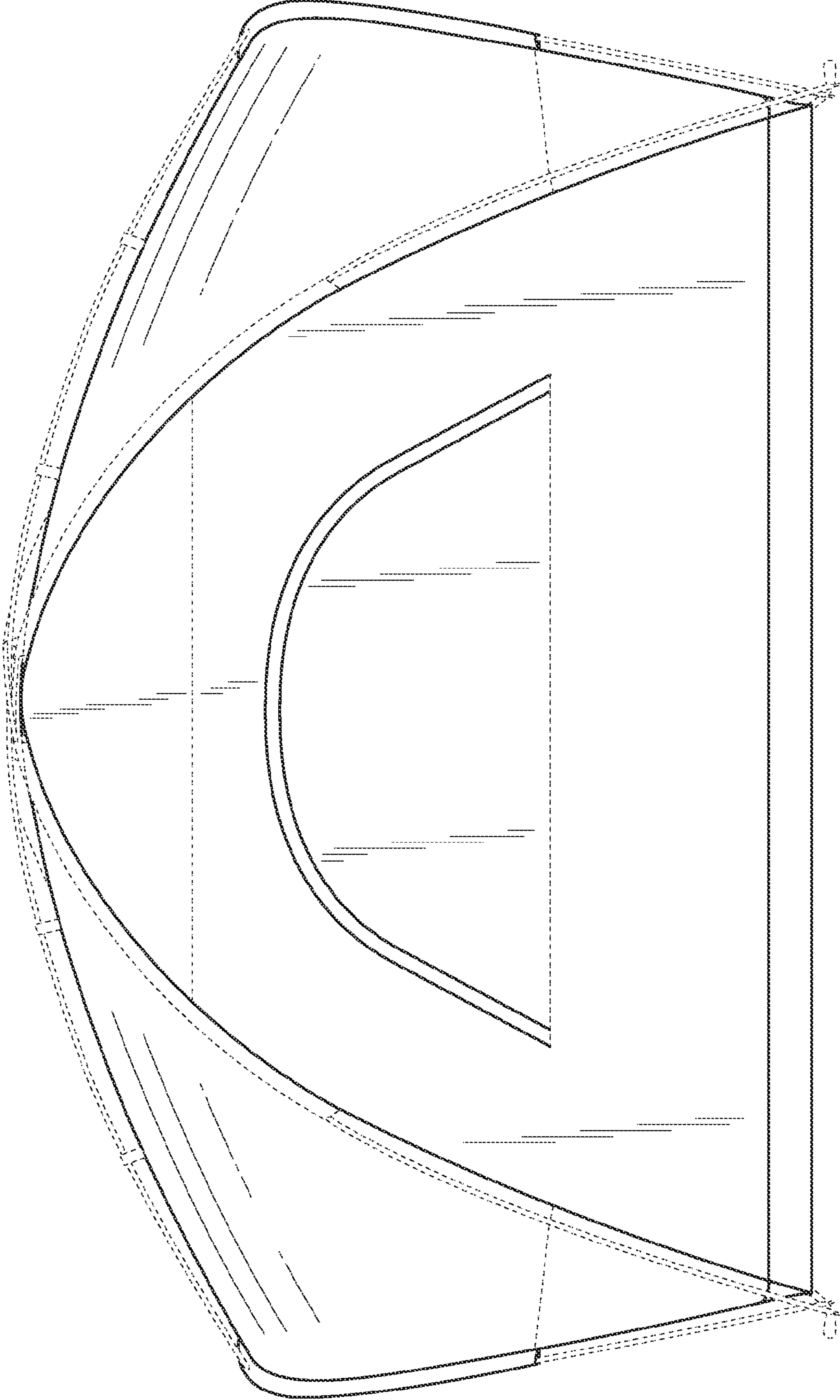


Fig. 3

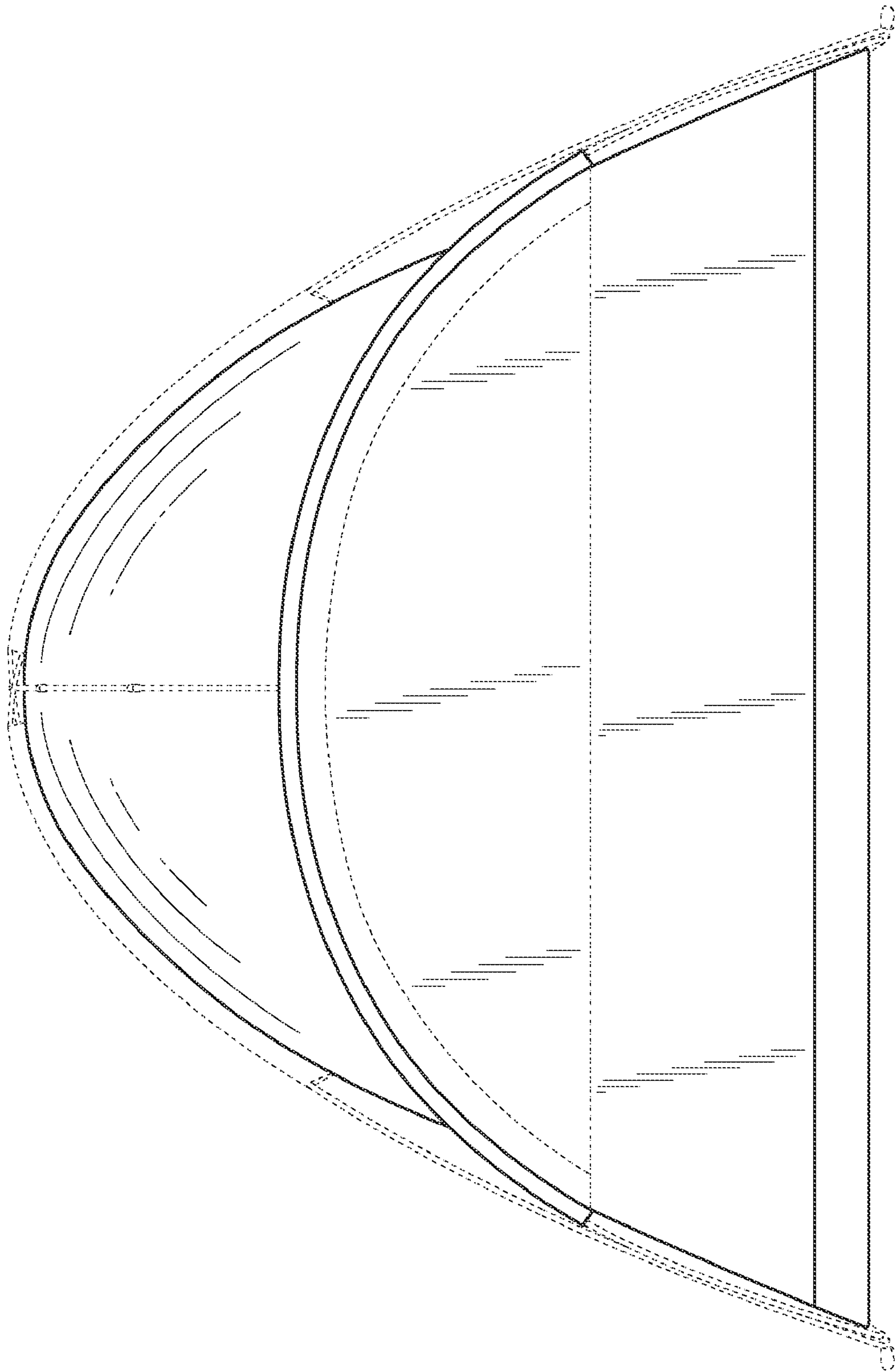


Fig. 4

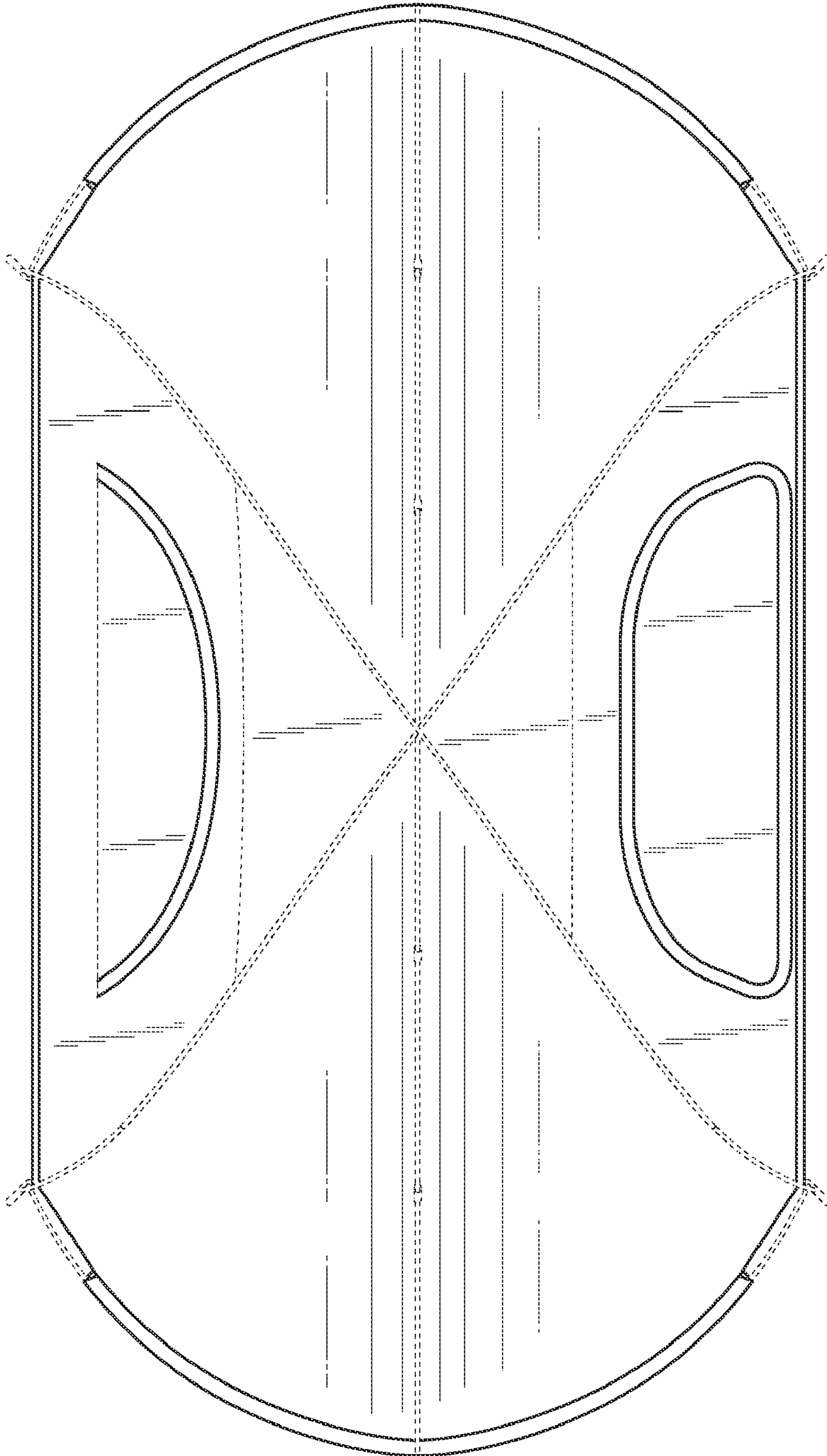


Fig. 5

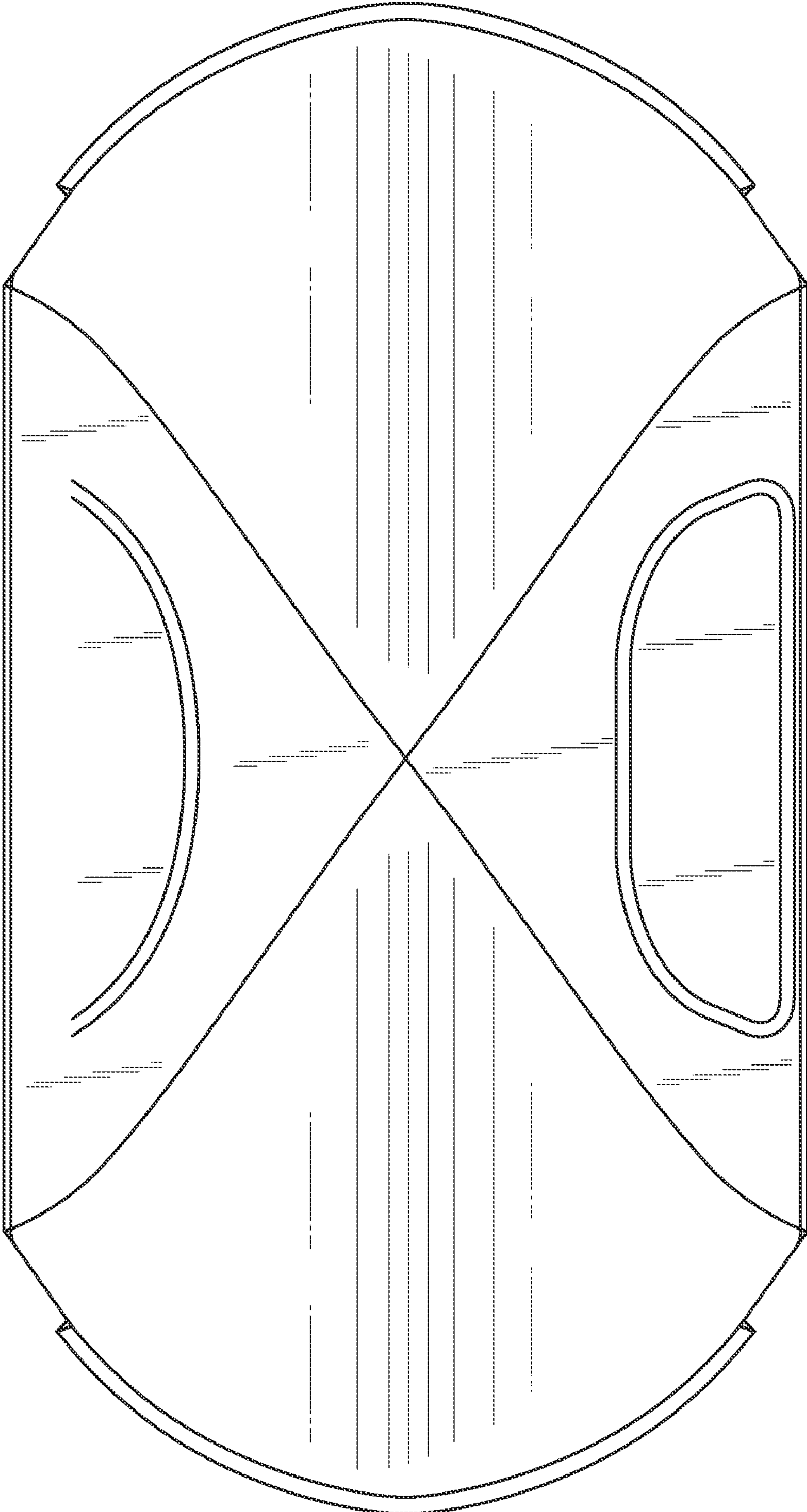


Fig. 6

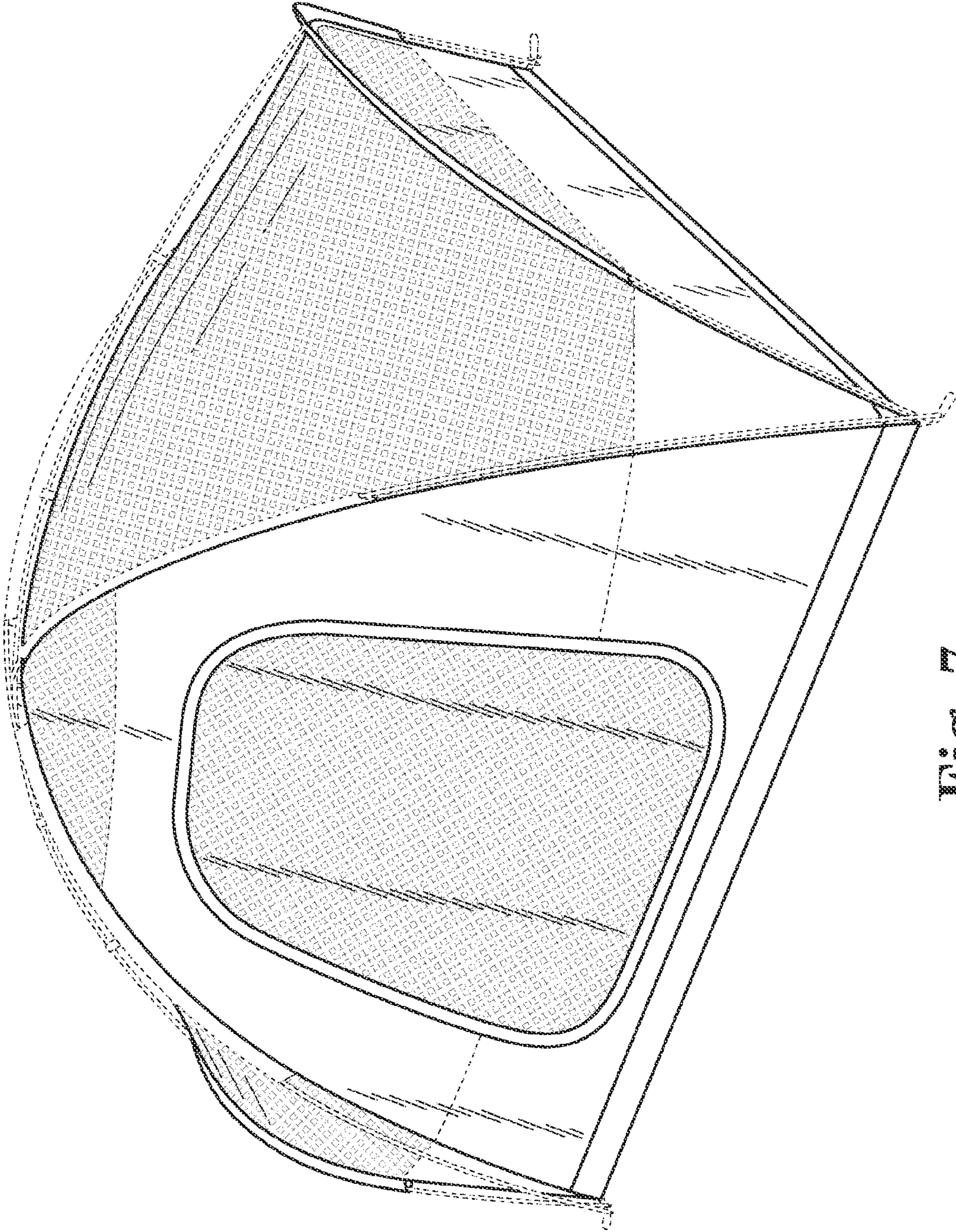


Fig. 7

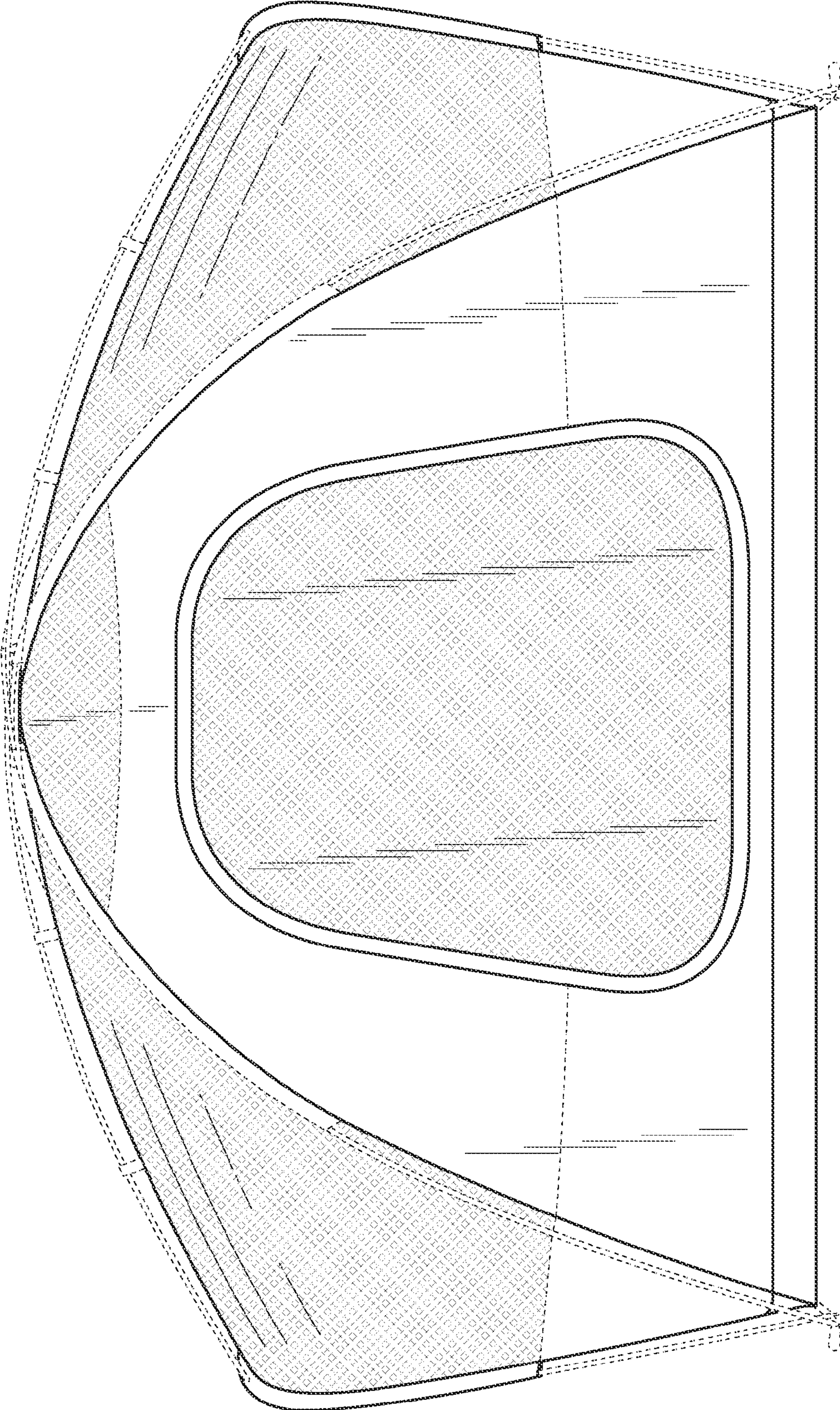


Fig. 8

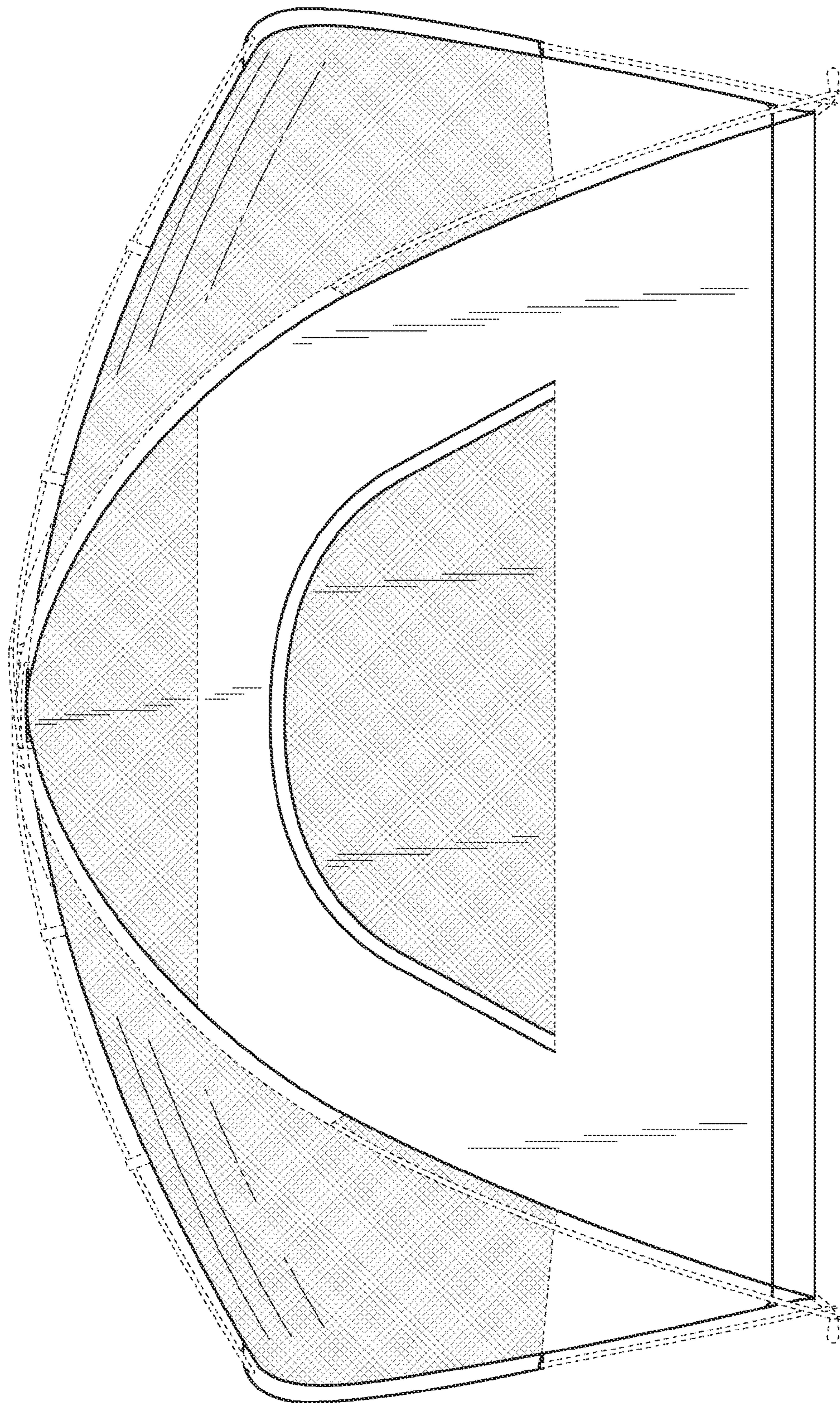


Fig. 9

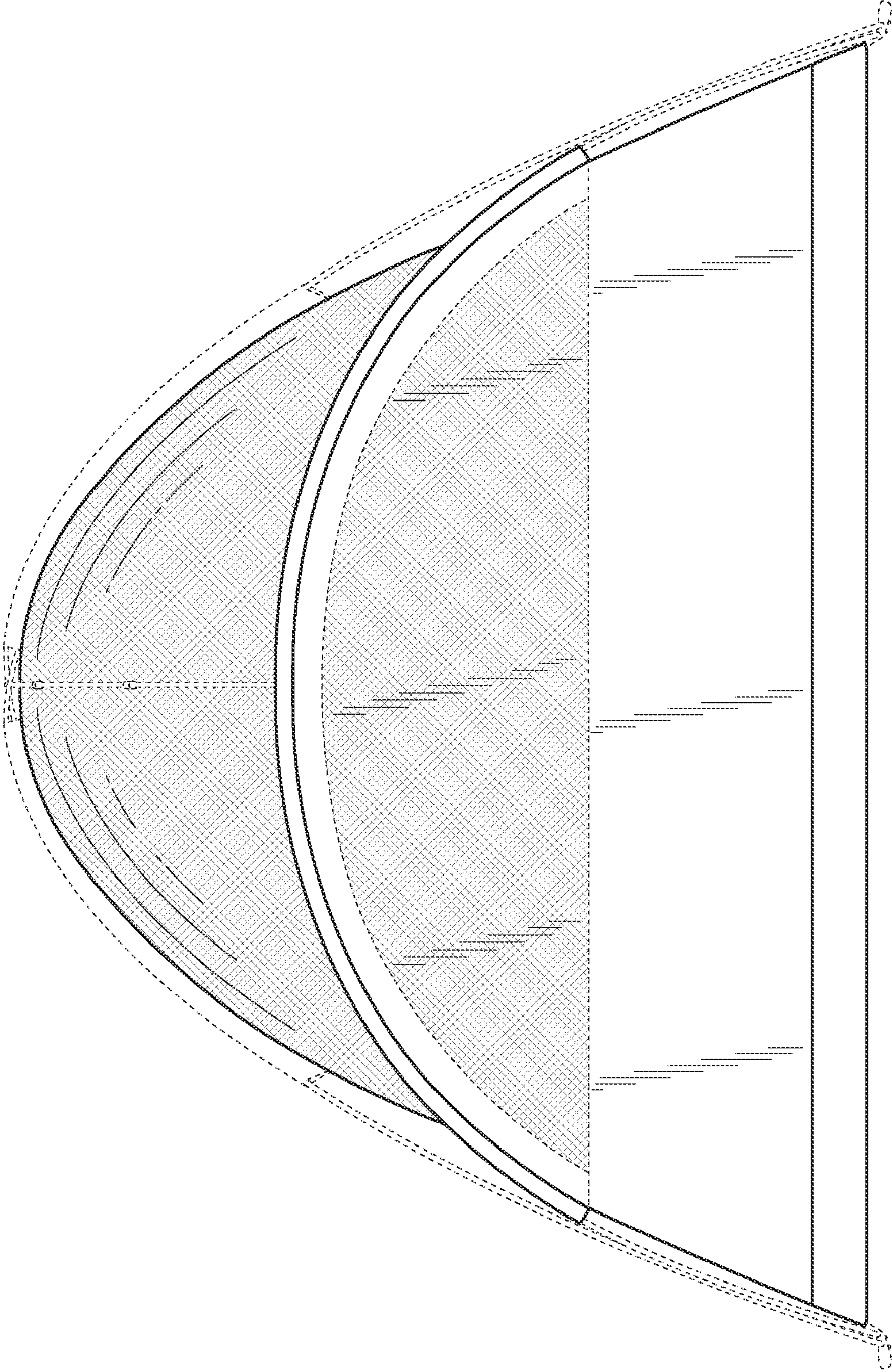


Fig. 10

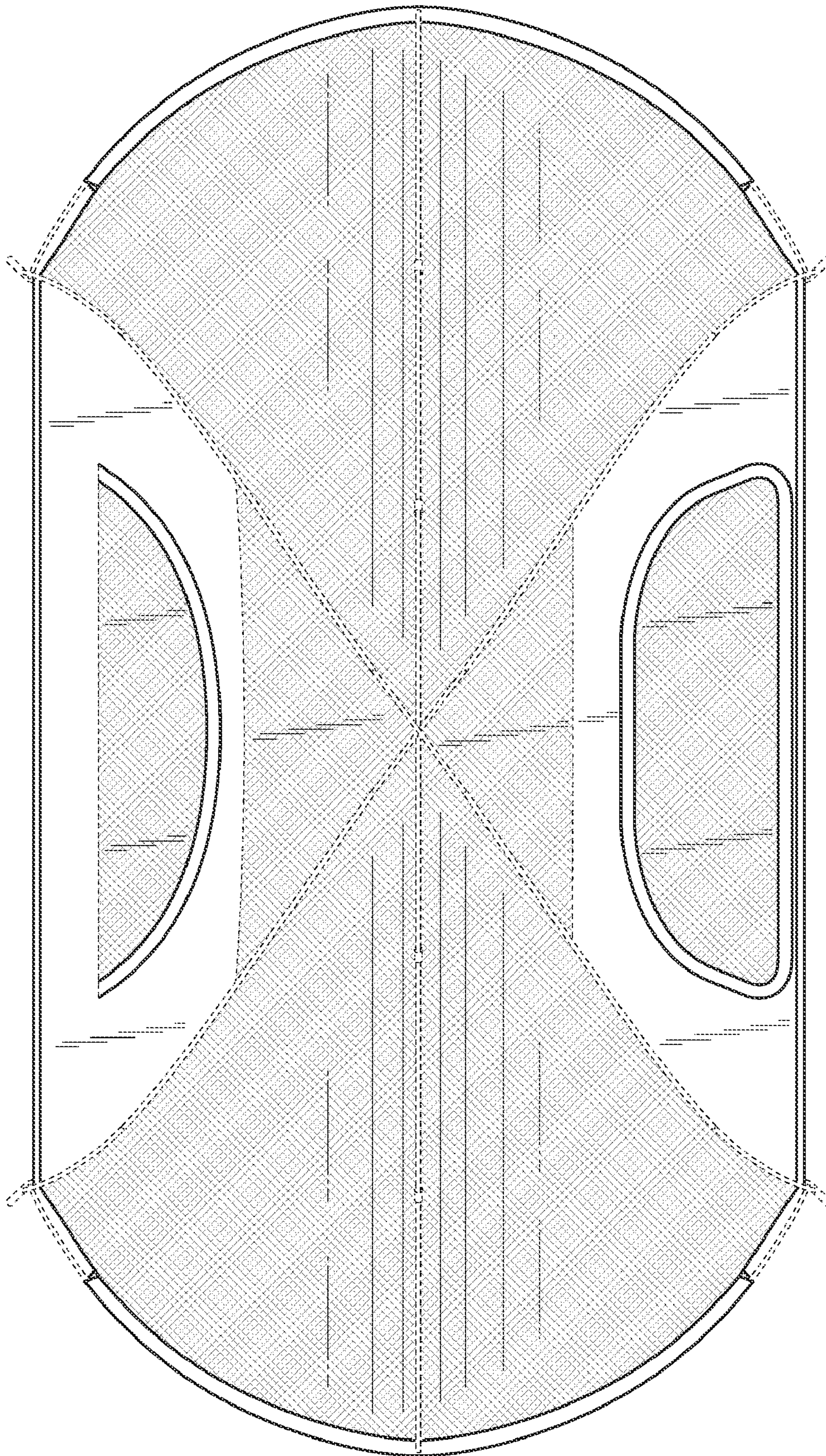


Fig. 11

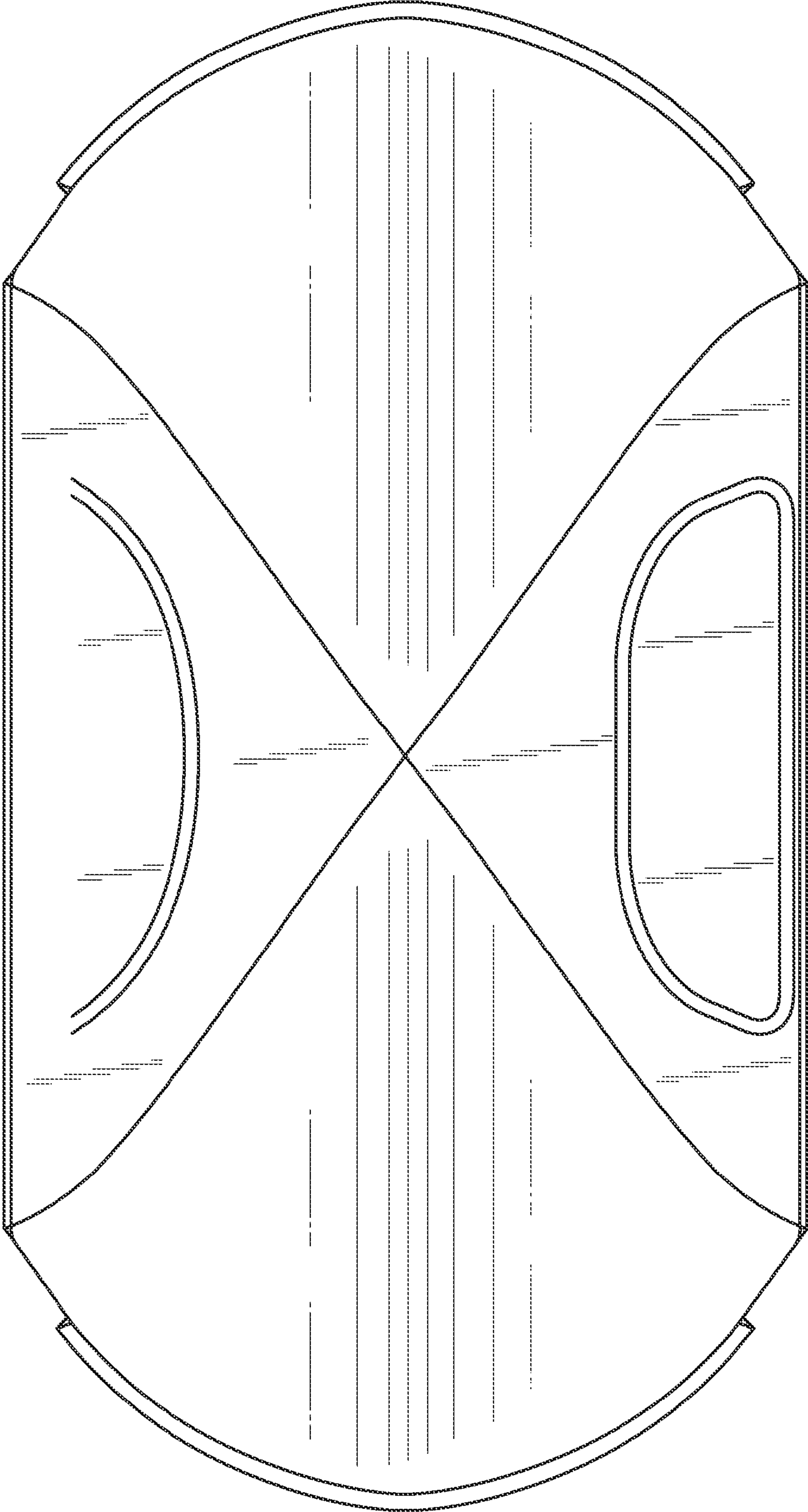


Fig. 12