



US00D605721S

(12) **United States Design Patent**
Simpson et al.

(10) **Patent No.:** **US D605,721 S**

(45) **Date of Patent:** **** Dec. 8, 2009**

(54) **PARALLEL BARS**

(76) Inventors: **Larry Simpson**, 6309 Canyon View Ct.,
Bakersfield, CA (US) 93306; **Darci Simpson**, 6309 Canyon View Ct.,
Bakersfield, CA (US) 93306

(**) Term: **14 Years**

(21) Appl. No.: **29/328,941**

(22) Filed: **Dec. 4, 2008**

(51) **LOC (9) Cl.** **21-02**

(52) **U.S. Cl.** **D21/797**

(58) **Field of Classification Search** D21/662,
D21/691, 686, 797; 482/23, 38, 41, 42; 606/241;
248/165, 167; 601/23

See application file for complete search history.

(56) **References Cited**

U.S. PATENT DOCUMENTS

3,896,798	A *	7/1975	Simon	606/241
4,415,150	A *	11/1983	Iezza	482/42
D284,647	S *	7/1986	Stockdell	D12/130
4,902,000	A *	2/1990	Starks et al.	482/41
4,988,092	A *	1/1991	Trout	482/51
5,720,697	A *	2/1998	Winkel	482/41

5,924,960	A *	7/1999	Cohen	482/51
6,168,548	B1 *	1/2001	Fleming	482/23
6,238,320	B1 *	5/2001	Flanagan	482/41
6,929,586	B2 *	8/2005	Johnson	482/41

* cited by examiner

Primary Examiner—Philip S Hyder

(74) *Attorney, Agent, or Firm*—James M. Duncan, Esq.;
Klein, DeNatale, et al.

(57) **CLAIM**

The ornamental design for the parallel bars, as shown and described.

DESCRIPTION

FIG. 1 is a perspective view of the parallel bars showing the new design.

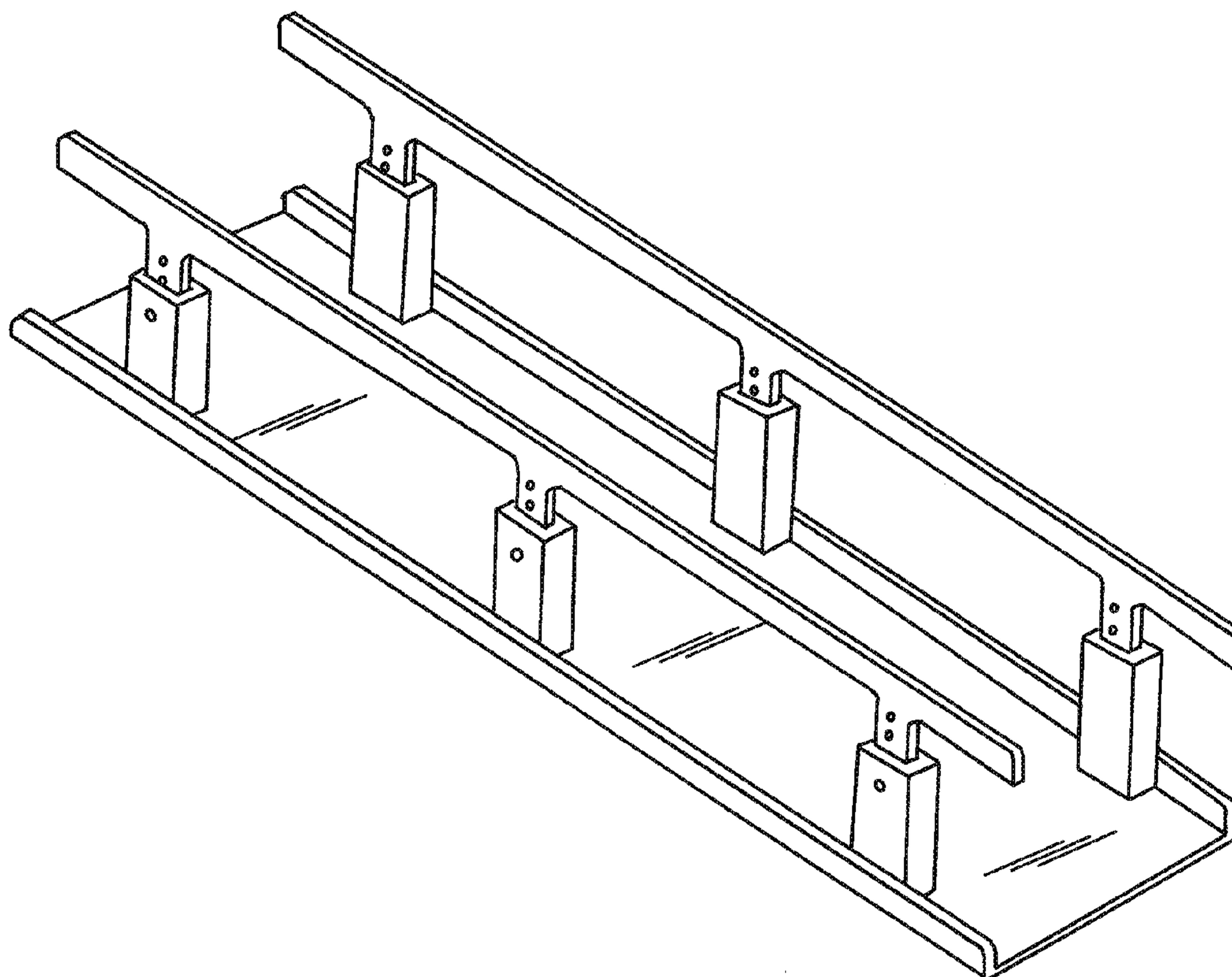
FIG. 2 is a top plan view of the parallel bars.

FIG. 3 is a front elevation view of the parallel bars, the rear elevation is a mirror image of the front elevation; and,

FIG. 4 is a left side view of the parallel bars, the right side view is a mirror image of the left side view.

The bottom view is not presented because it is unornamented.

1 Claim, 2 Drawing Sheets



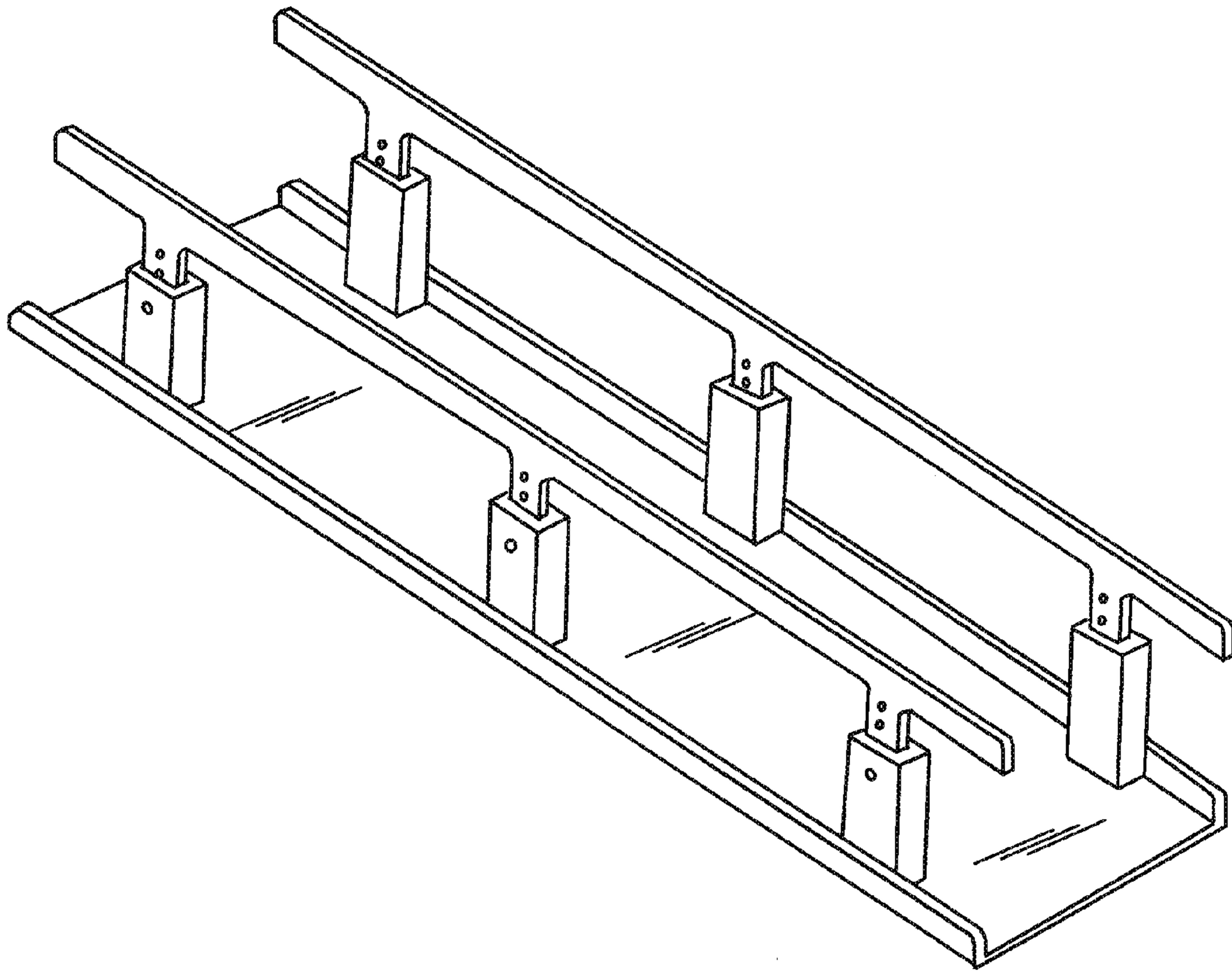


Fig. 1

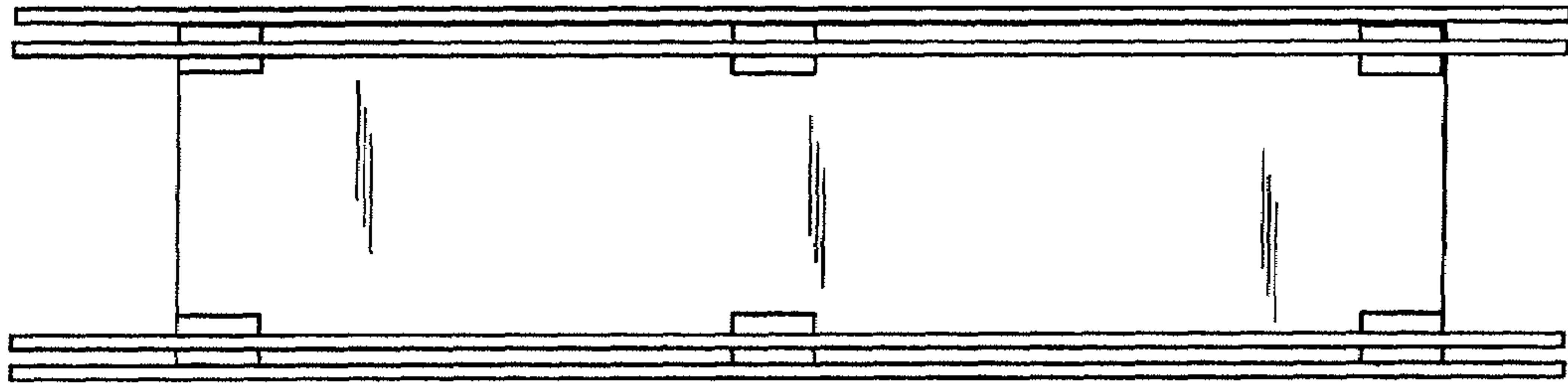


Fig. 2

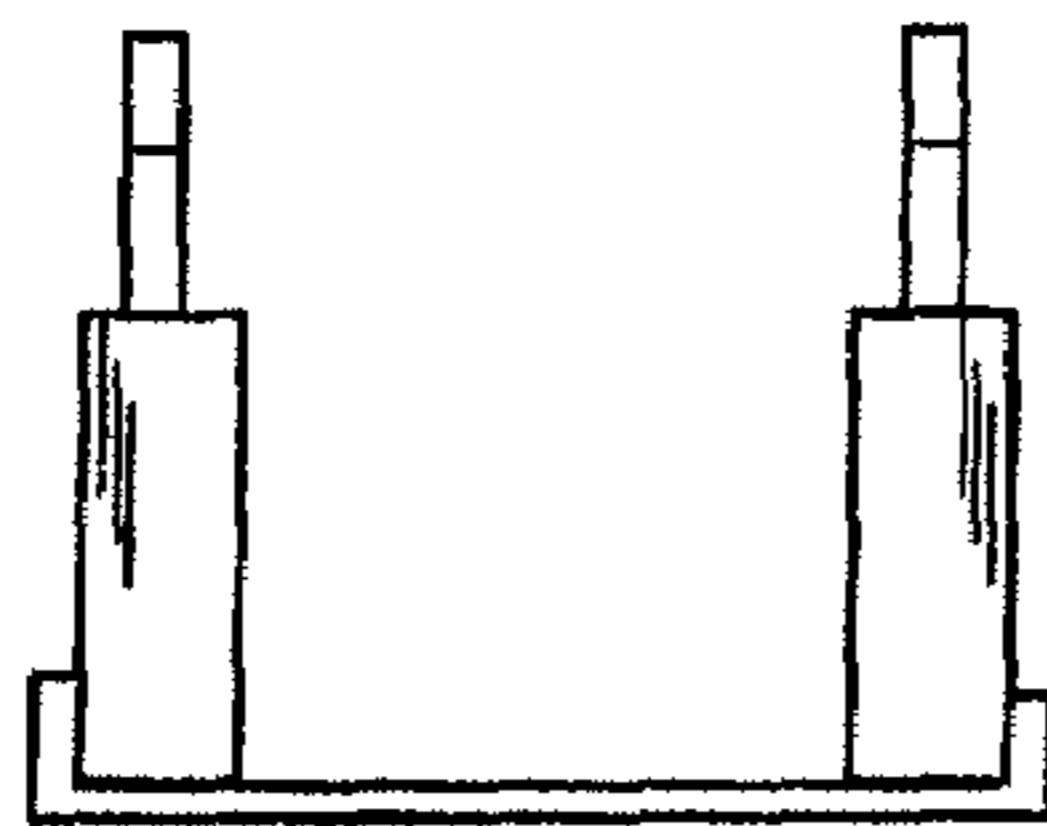


Fig. 3

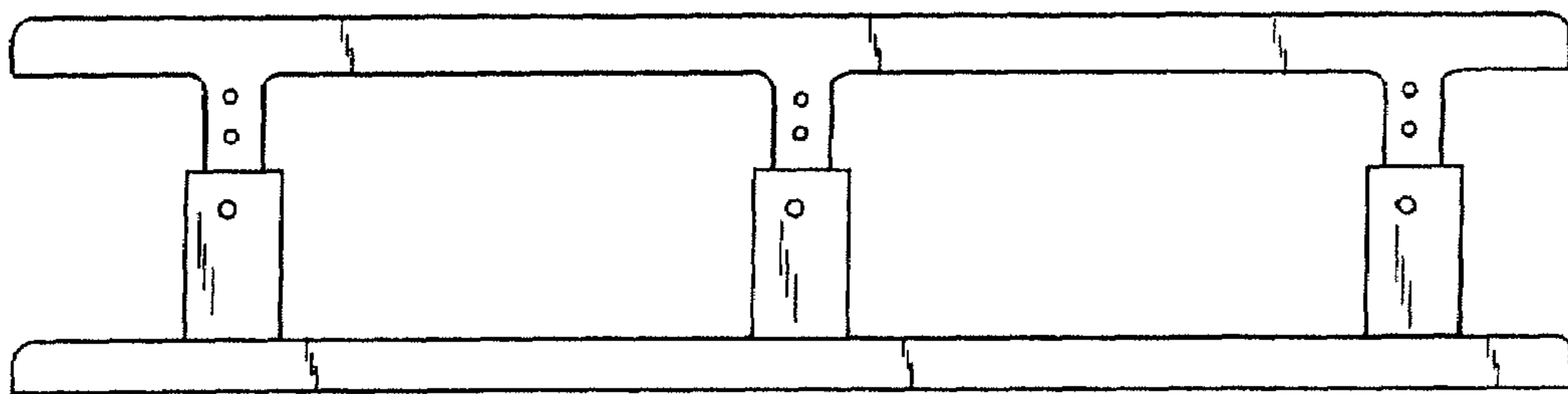


Fig. 4