



US00D605720S

(12) **United States Design Patent**
McLane

(10) **Patent No.:** **US D605,720 S**

(45) **Date of Patent:** **** Dec. 8, 2009**

(54) **GOLF TEE REMOVER/DIVOT FIXER**

(76) **Inventor:** **Mimi McLane**, P.O. Box 12555, Palm Desert, CA (US) 92255

(**) **Term:** **14 Years**

(21) **Appl. No.:** **29/311,151**

(22) **Filed:** **Jan. 5, 2009**

(51) **LOC (9) Cl.** **21-02**

(52) **U.S. Cl.** **D21/793**

(58) **Field of Classification Search** D21/789,
D21/793-794; 473/286, 408

See application file for complete search history.

(56) **References Cited**

U.S. PATENT DOCUMENTS

3,185,483	A *	5/1965	Klynman	473/286
D272,461	S *	1/1984	Burns	D21/793
5,788,197	A	8/1998	Tutela		
D422,664	S *	4/2000	Tate	D21/793
D431,625	S *	10/2000	Gribovsky	D21/793
D463,522	S *	9/2002	Goessling, Jr.	D21/793
D470,556	S *	2/2003	Guerette et al.	D21/793
D594,922	S *	6/2009	McLane	D21/793

OTHER PUBLICATIONS

“Golf Divot Tools,” Custom Golf Divot Repair Tools Printed with Your logo, 2 pages printed from the Internet Jul. 1, 2008. http://www.tournamentshowroom.com/Golf-Divot-Tools_68.aspx?gclid=CPLGzbHSn5QCFQWVFQodWRI_tQ.

* cited by examiner

Primary Examiner—Mitchell I Siegel

(74) *Attorney, Agent, or Firm*—Richard C. Litman

(57) **CLAIM**

The ornamental design for a golf tee remover/divot fixer, as shown and described.

DESCRIPTION

FIG. 1 is a perspective view of a golf tee remover/divot fixer showing my new design;

FIG. 2 is a front elevational view thereof;

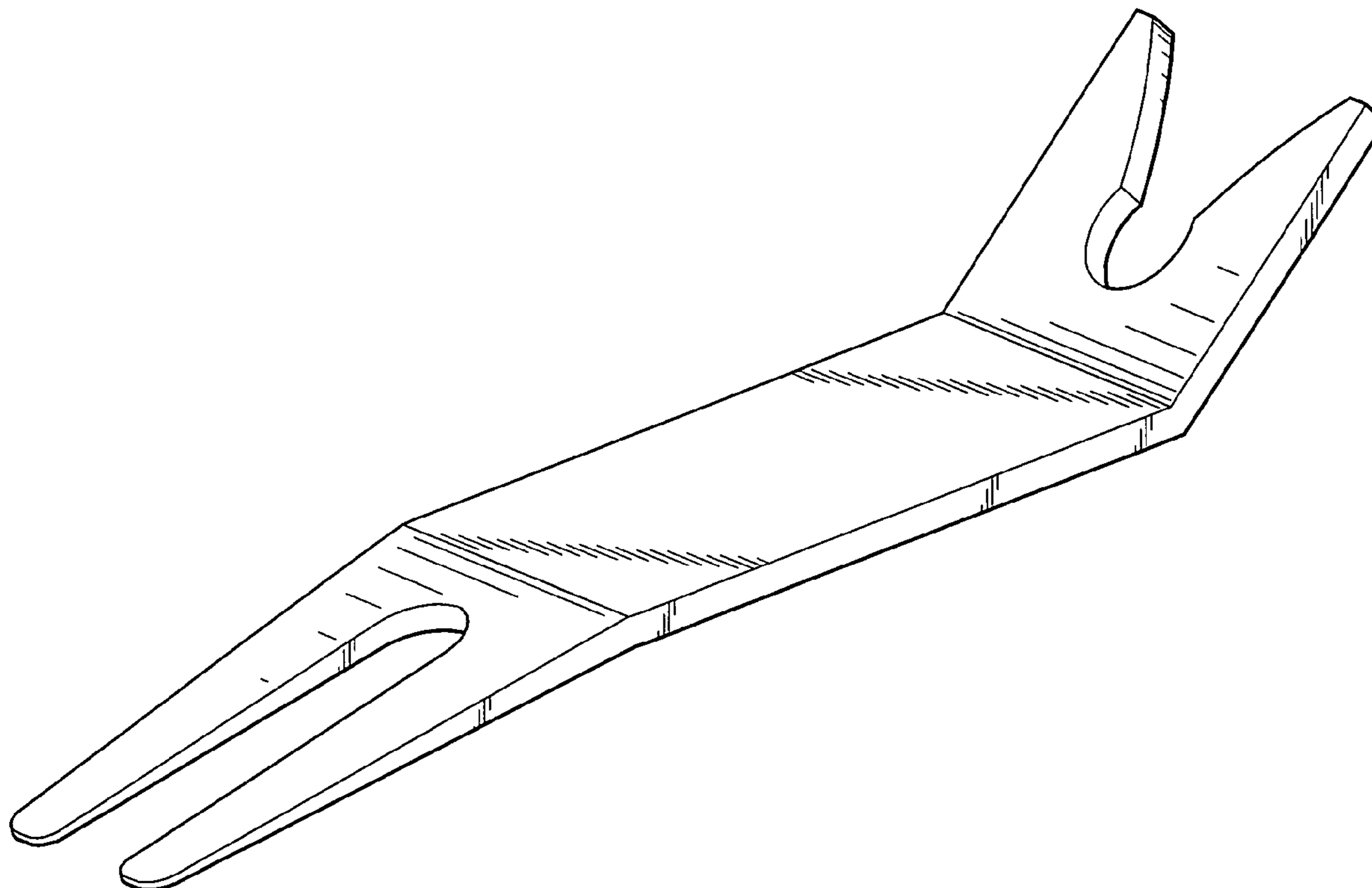
FIG. 3 is a rear elevational view thereof;

FIG. 4 is a right side elevational view with the left side being a mirror image thereof;

FIG. 5 is a top view thereof; and,

FIG. 6 is a bottom view thereof.

1 Claim, 5 Drawing Sheets



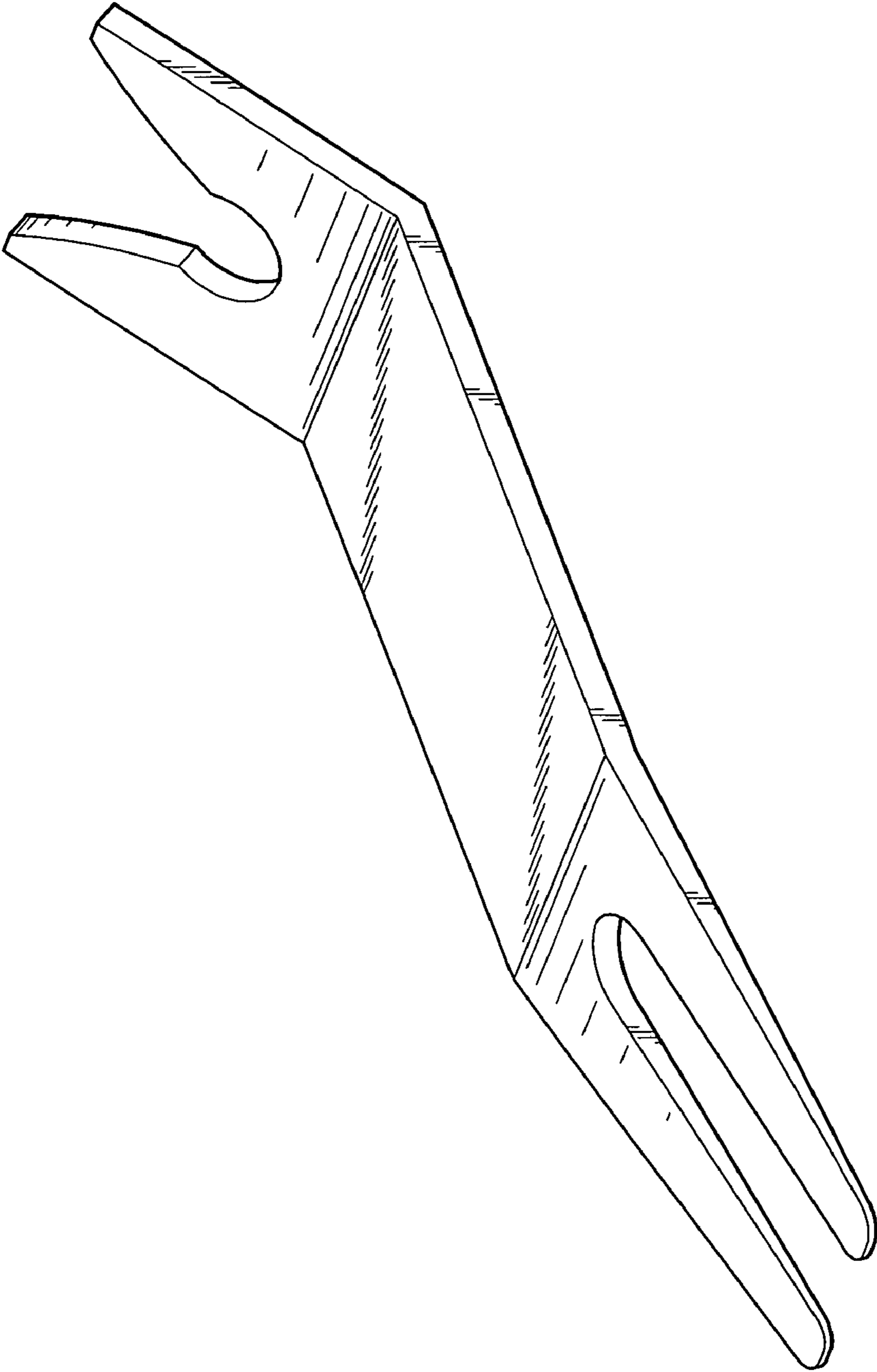


FIG. 1

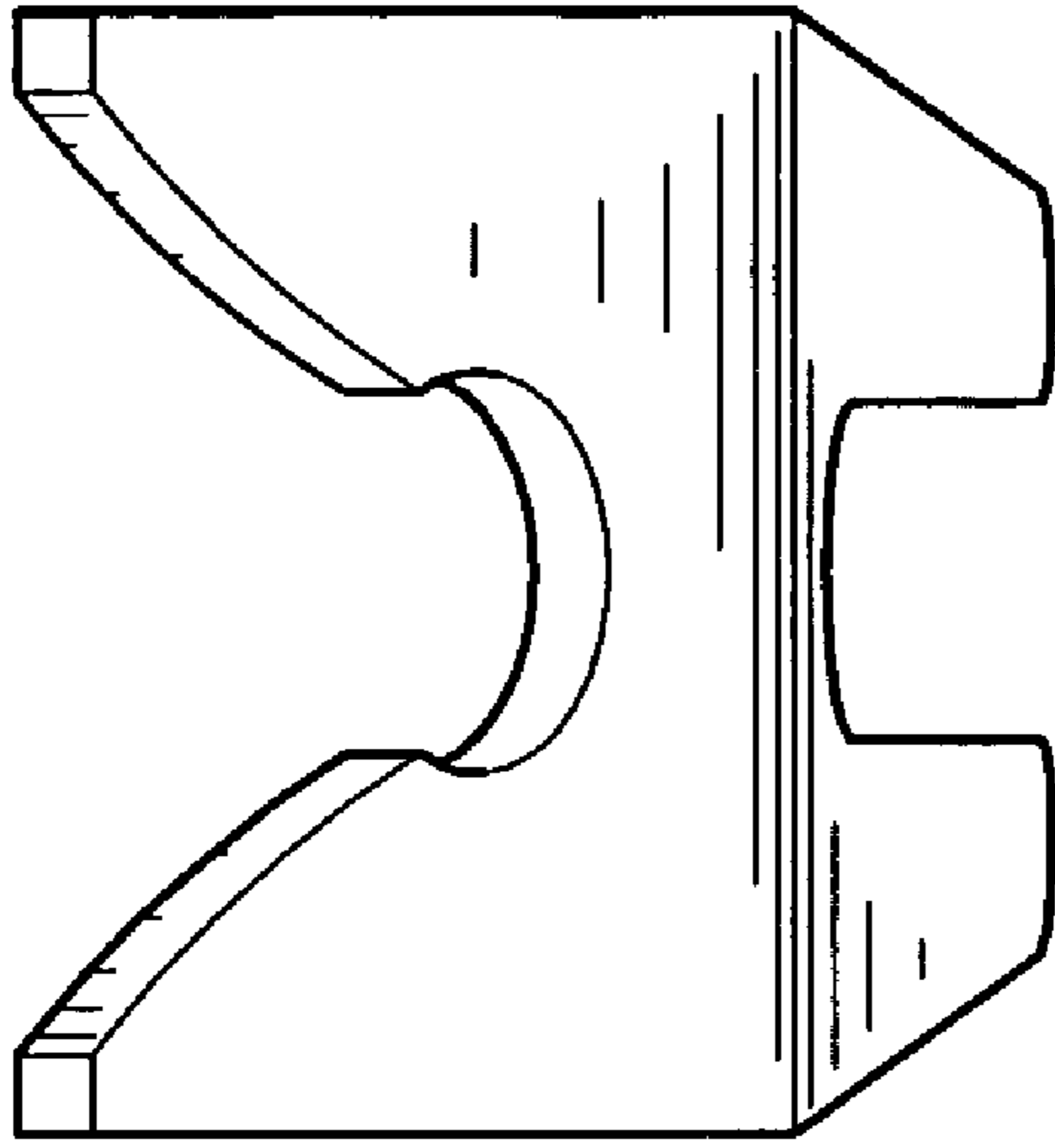


FIG. 3

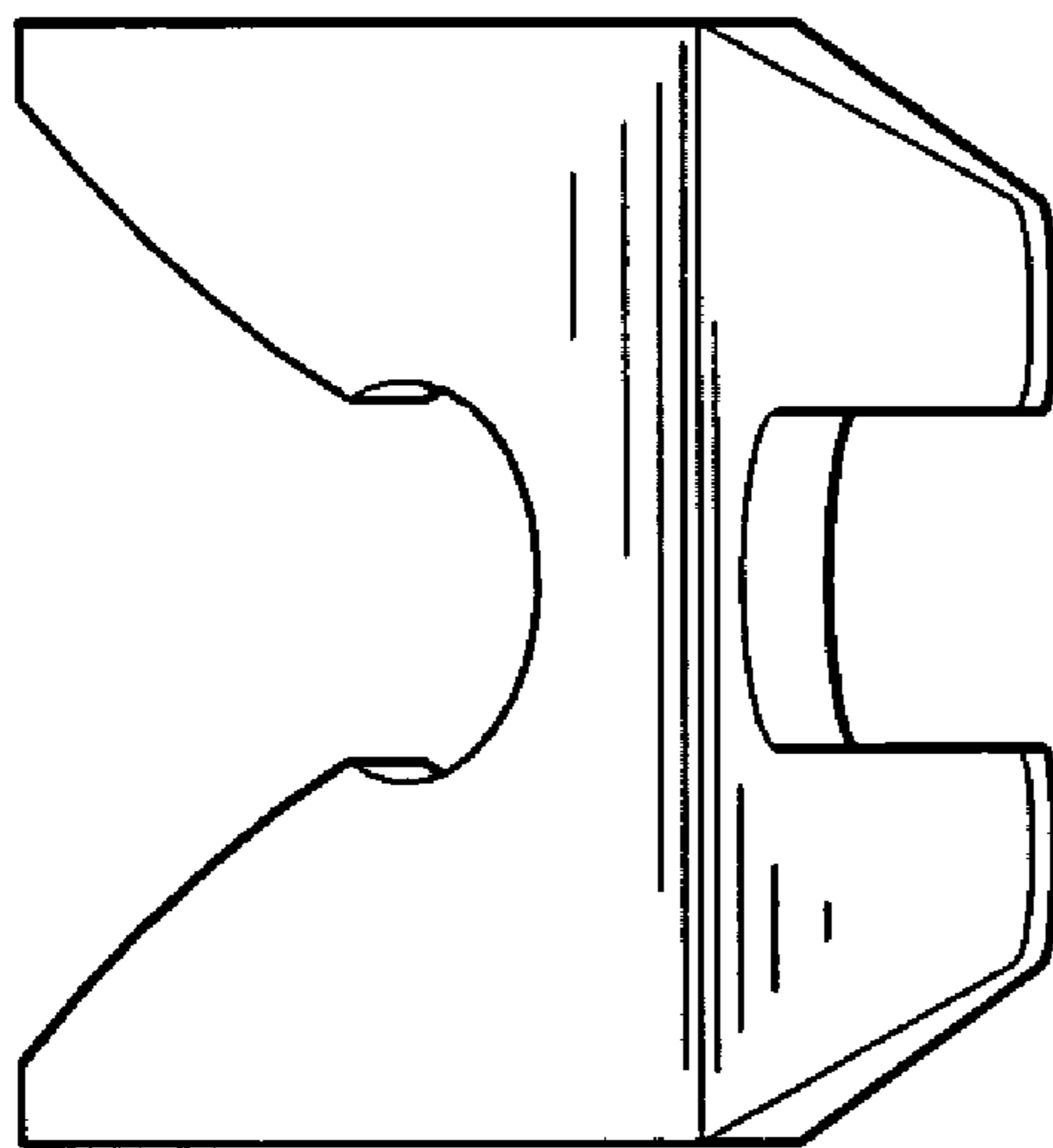


FIG. 2

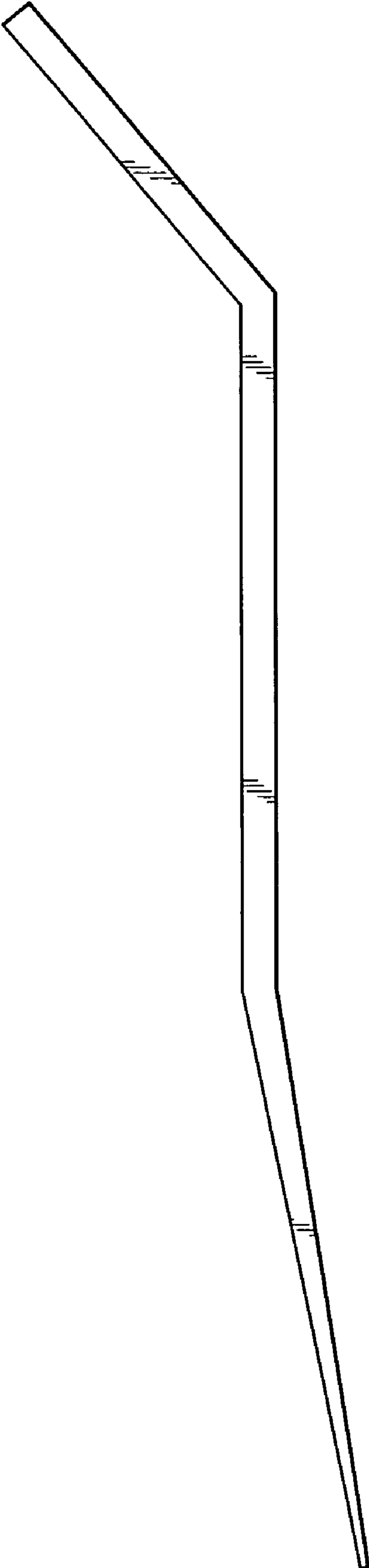


FIG. 4

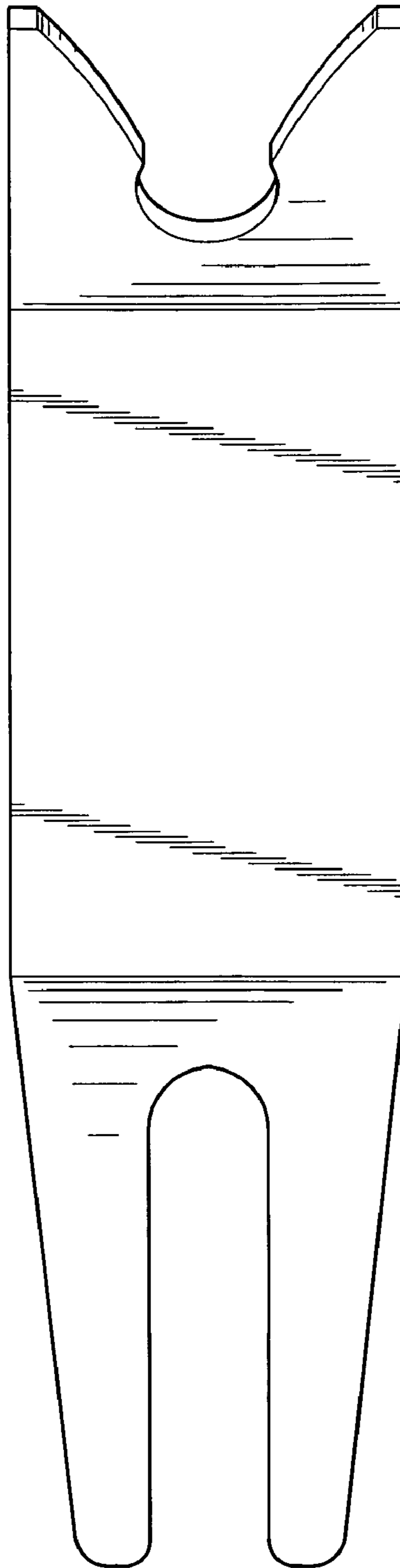


FIG. 5

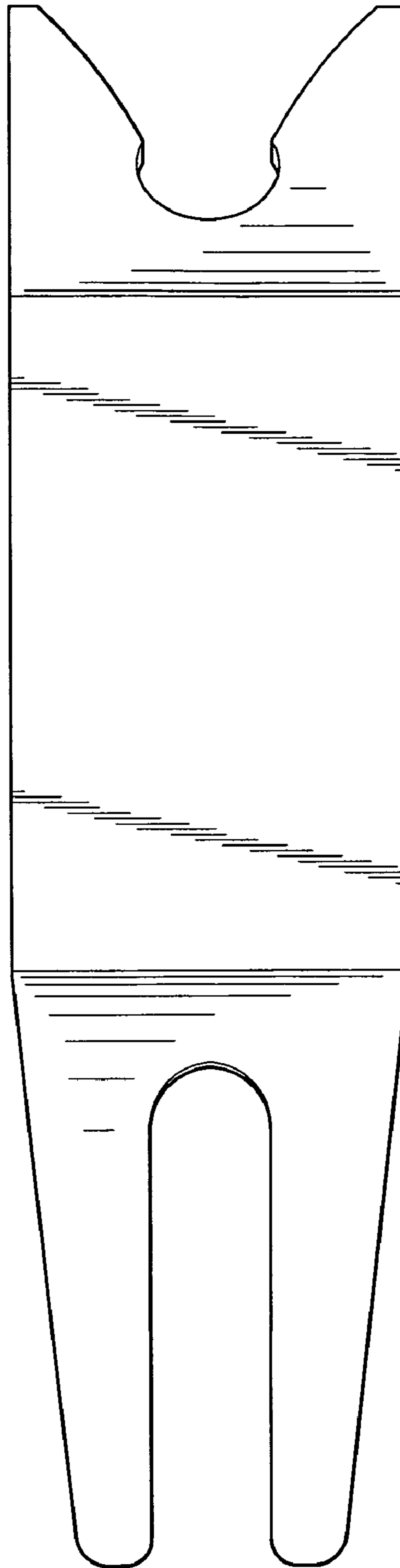


FIG. 6