



US00D605712S

(12) **United States Design Patent**
Bizzell

(10) **Patent No.:** **US D605,712 S**

(45) **Date of Patent:** **** *Dec. 8, 2009**

(54) **EXERCISE ASSEMBLY**

2006/0128540 A1 6/2006 Engle

(75) Inventor: **Daniel Lee Bizzell**, Davidson, NC (US)

(73) Assignee: **Edison Nation, LLC**, Charlotte, NC (US)

(**) Term: **14 Years**

(21) Appl. No.: **29/318,675**

(22) Filed: **May 25, 2008**

(51) **LOC (9) Cl.** **21-02**

(52) **U.S. Cl.** **D21/688; D21/692**

(58) **Field of Classification Search** D21/662,
D21/671, 673, 686, 688, 692; D6/349; 482/51,
482/121, 129, 130, 133, 140, 146, 142
See application file for complete search history.

(56) **References Cited**

U.S. PATENT DOCUMENTS

3,201,120	A	8/1965	Moravetz	
D313,521	S *	1/1991	Hassel et al.	D6/501
5,261,864	A *	11/1993	Fitzpatrick	482/52
5,294,180	A *	3/1994	Grimm	297/423.44
5,330,399	A *	7/1994	Fan	482/34
5,352,176	A *	10/1994	Huang	482/146
D353,419	S *	12/1994	Sprague	D21/686
5,540,642	A *	7/1996	Sprague	482/123
5,643,154	A *	7/1997	Awbrey et al.	482/111
5,755,651	A *	5/1998	Homyonfer et al.	482/146
D474,818	S *	5/2003	Yu	D21/662
7,250,021	B2 *	7/2007	Leight	482/116
2005/0049123	A1 *	3/2005	Dalebout et al.	482/142

OTHER PUBLICATIONS

Information Disclosure Statement (IDS) Letter Regarding Common Patent Application(s) submitted by Applicant on Jun. 12, 2009.

* cited by examiner

Primary Examiner—Philip S Hyder

(74) *Attorney, Agent, or Firm*—Chad D. Tillman; James D. Wright; Tillman Wright, PLLC

(57) **CLAIM**

The ornamental design for an exercise assembly, as shown and described.

DESCRIPTION

FIG. 1 is a perspective view of an exercise assembly showing my new design, wherein said view is further representative of the opposite perspective view thereof;

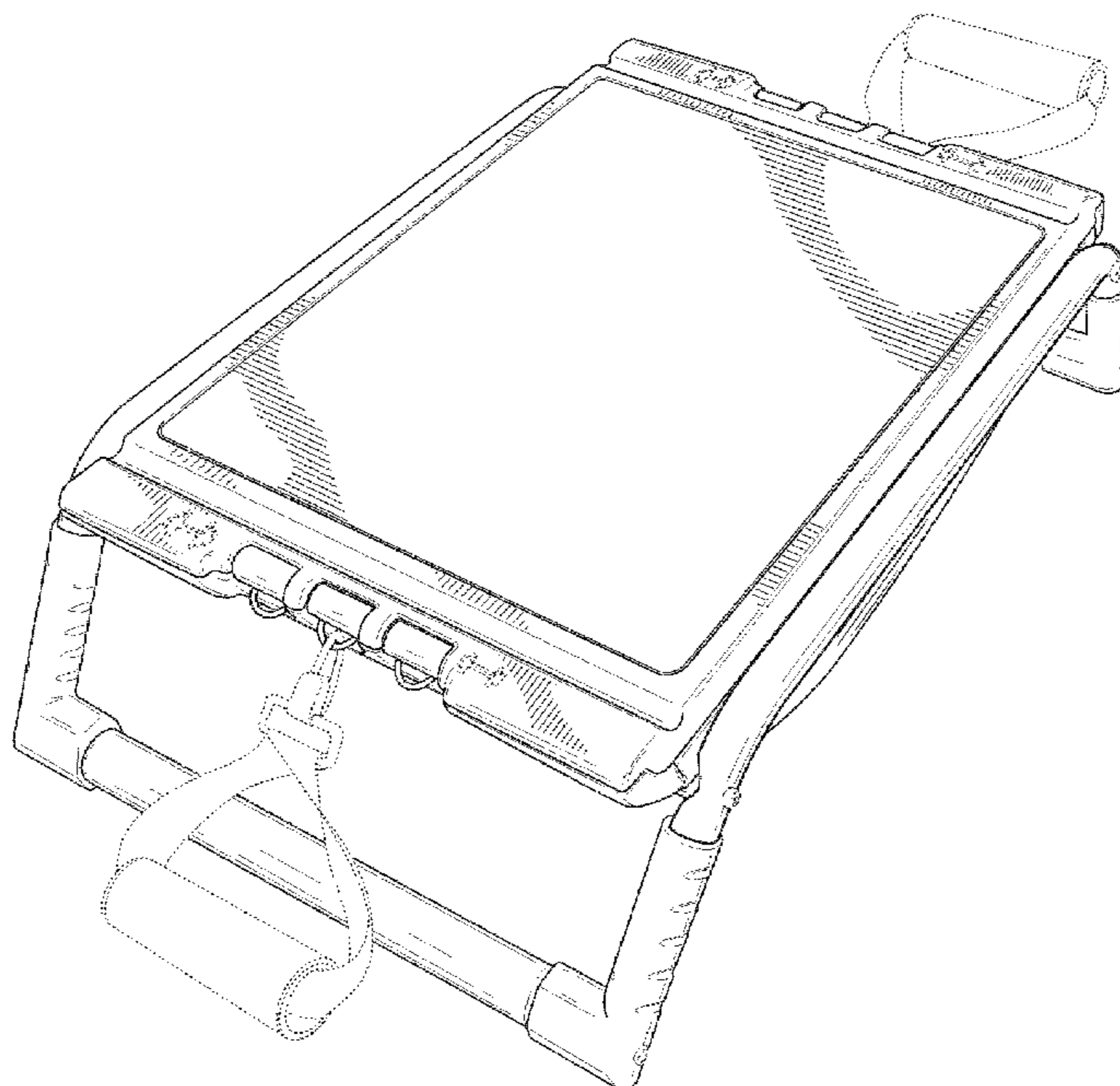
FIG. 2 is a plan view of the top of the exercise assembly of FIG. 1.

FIG. 3 is a front elevational view of the exercise assembly of FIG. 1, wherein said view is further representative of the rear elevational view thereof; and,

FIG. 4 is a perspective environmental view of the exercise assembly of FIG. 1 showing the unclaimed handles and resistance bands attached, wherein said view is further representative of the opposite perspective view thereof.

Broken lines shown in the drawings form no part of the design for which protection is claimed herein. Furthermore, any portions of the exercise assembly not shown form no part of the claimed design.

1 Claim, 4 Drawing Sheets



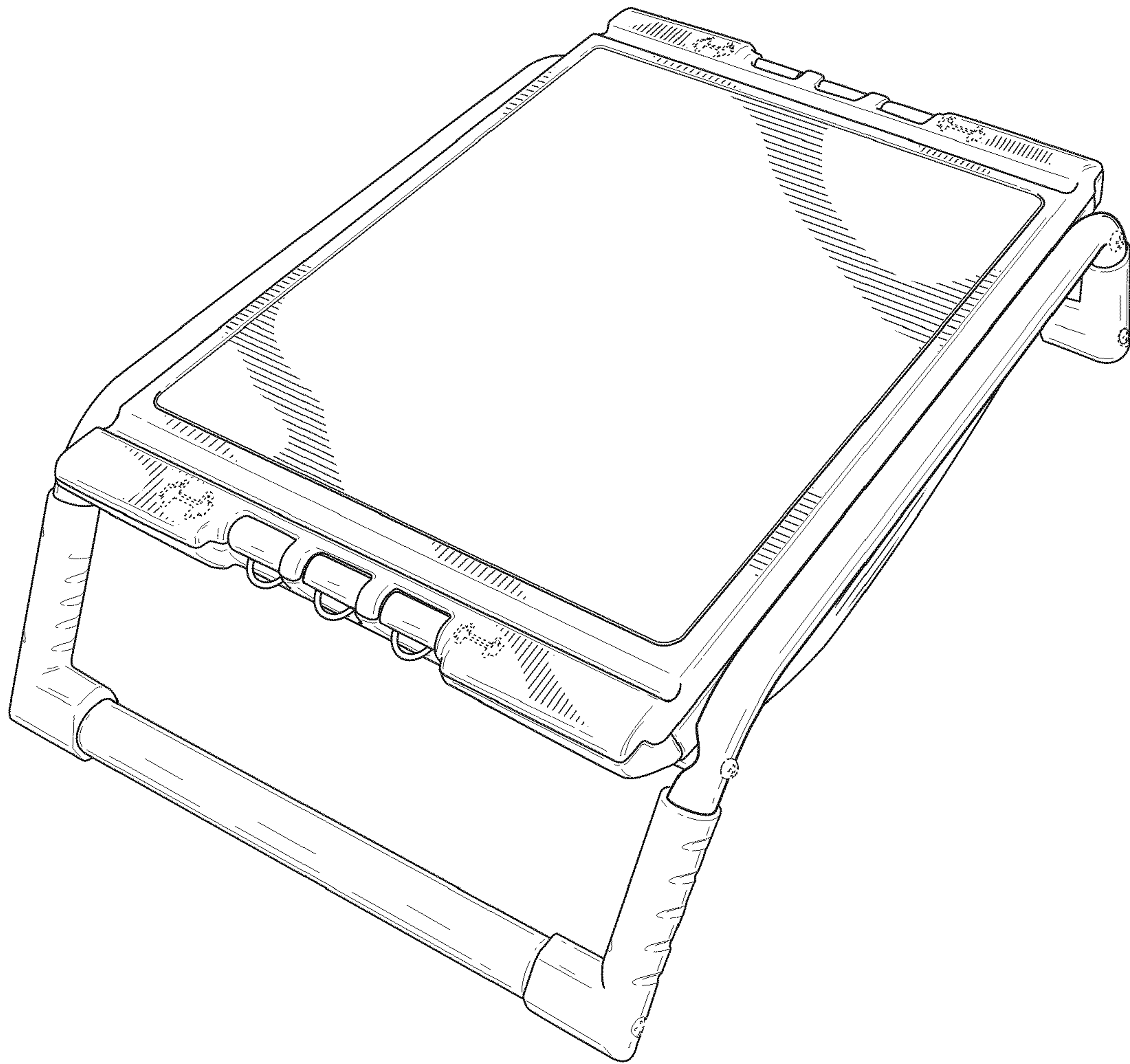


Fig. 1

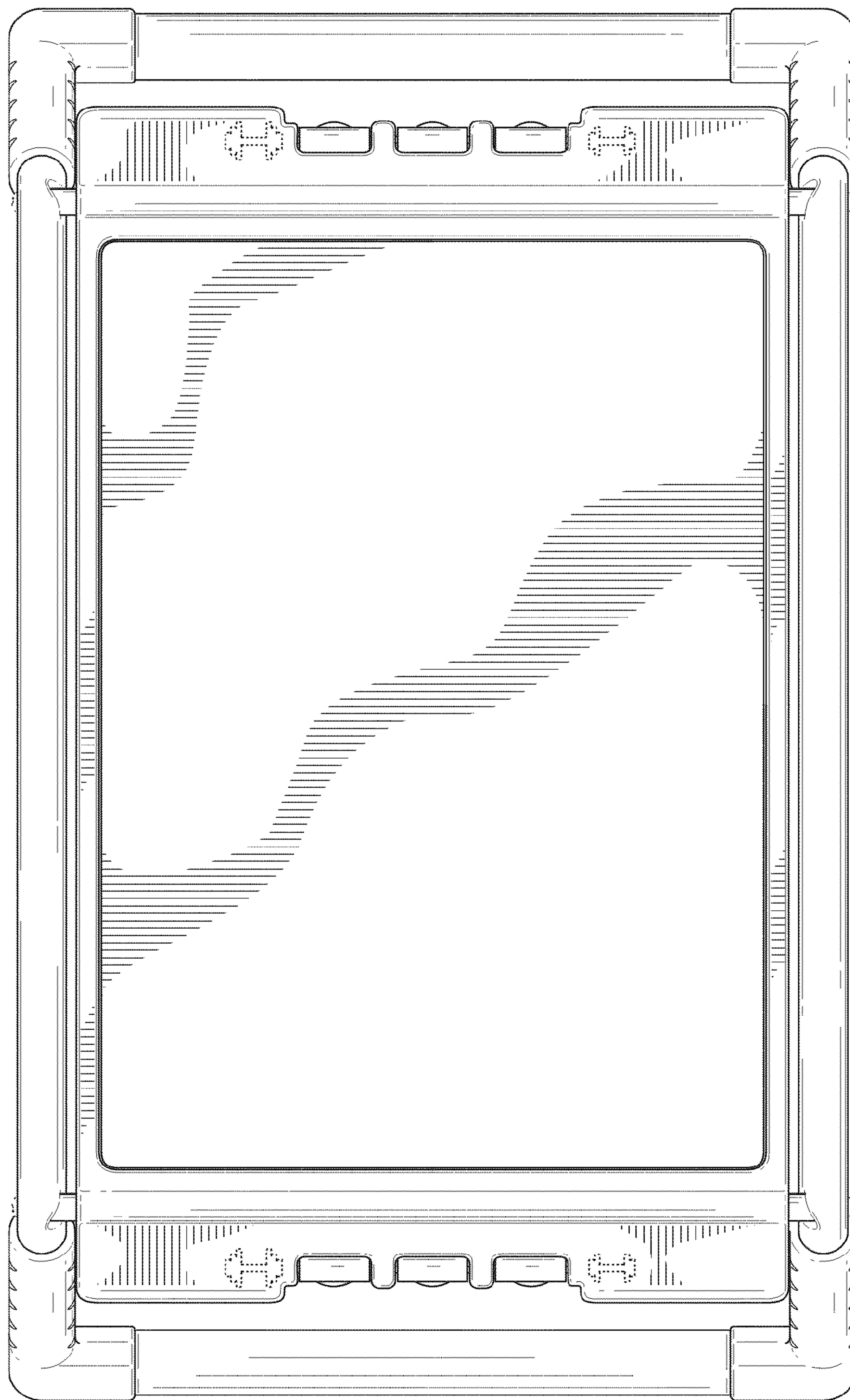


Fig. 2

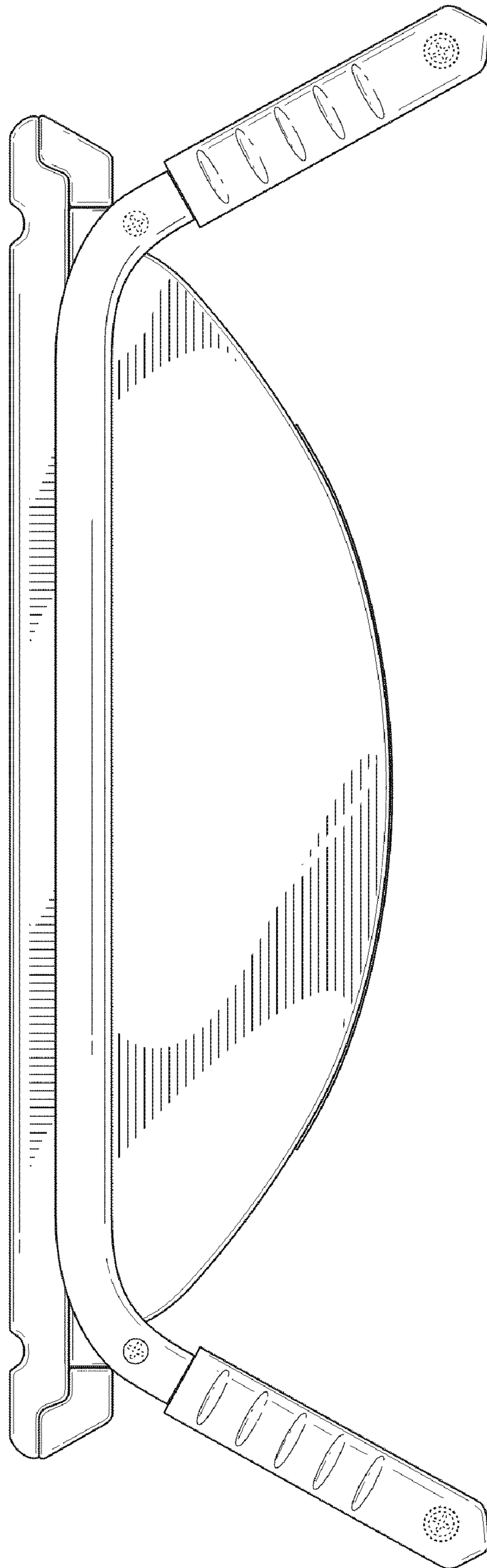


Fig. 3

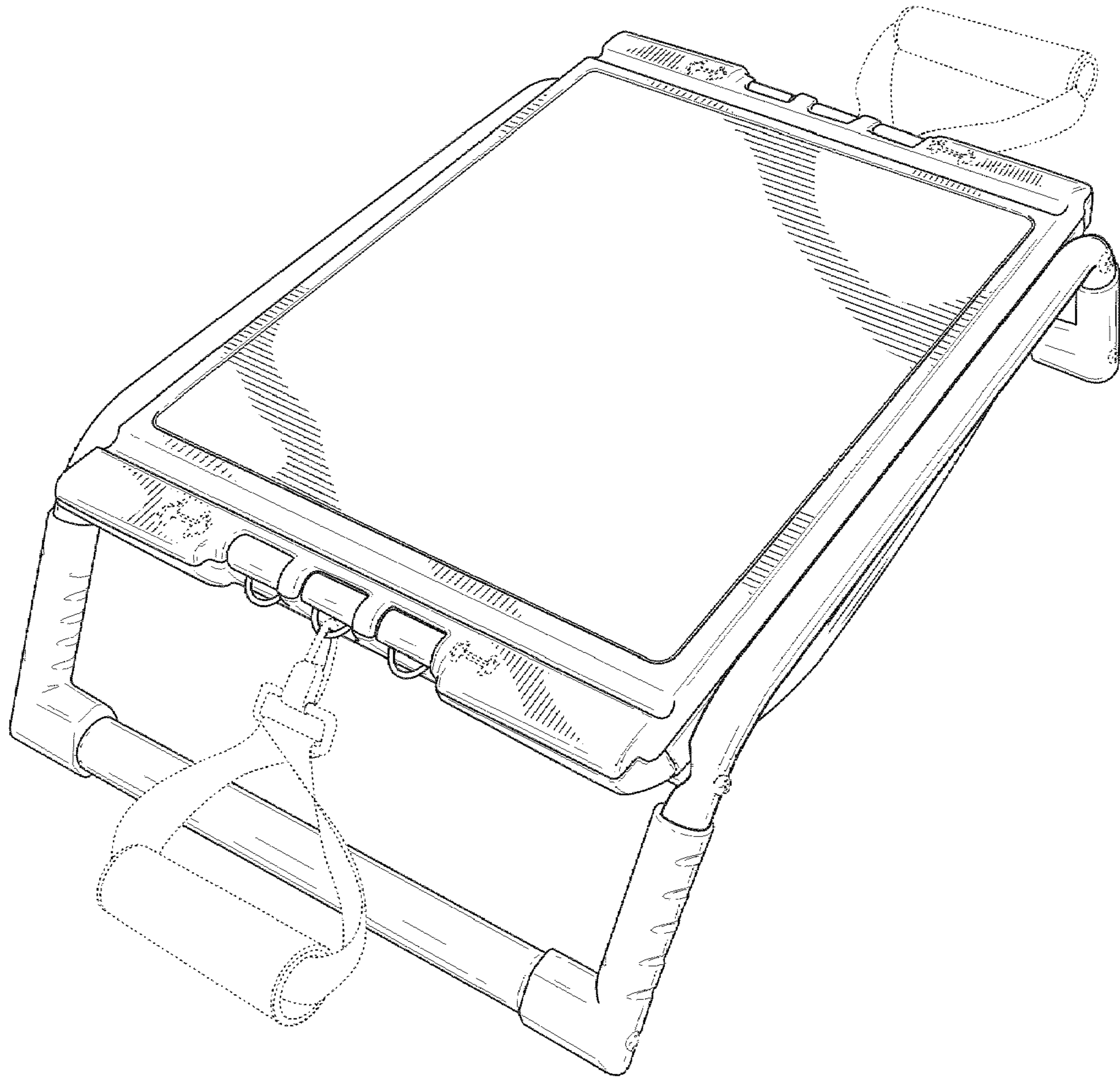


Fig. 4