



US00D605709S

(12) **United States Design Patent**  
**Dean**

(10) **Patent No.:** **US D605,709 S**  
(45) **Date of Patent:** **\*\* Dec. 8, 2009**

(54) **CARD SHUFFLER**

(75) Inventor: **Scott Dean**, Hertfordshire (GB)

(73) Assignee: **Hasbro, Inc.**, Pawtucket, RI (US)

(\*\*) Term: **14 Years**

(21) Appl. No.: **29/326,556**

(22) Filed: **Oct. 20, 2008**

(51) **LOC (9) Cl.** ..... **21-03**

(52) **U.S. Cl.** ..... **D21/396**

(58) **Field of Classification Search** ..... D21/334-369,  
D21/385, 392-396; 273/148 R, 149 R, 149 P,  
273/150, 148 A, 236-288, 292

See application file for complete search history.

(56) **References Cited**

**U.S. PATENT DOCUMENTS**

449,316 A	3/1891	Falkingham	
750,216 A	1/1904	Newington	
1,434,034 A	10/1922	Aegerter et al.	
2,208,459 A	4/1940	Krueger	
D165,556 S *	12/1951	Shedd	..... D21/396
2,650,096 A *	8/1953	Almgren	..... 273/149 R
2,705,638 A	4/1955	Newcomb	
3,814,436 A *	6/1974	Boren	..... 273/148 A
3,944,230 A	3/1976	Fineman	
4,421,312 A	12/1983	Delgado et al.	

5,186,464 A *	2/1993	Lamle	..... 273/149 R
5,344,146 A	9/1994	Lee	
D412,723 S *	8/1999	Hachuel et al.	..... D21/392
D574,439 S *	8/2008	Klinsky et al.	..... D21/394

\* cited by examiner

*Primary Examiner*—Sandra Morris

(74) *Attorney, Agent, or Firm*—Perry Hoffman

(57) **CLAIM**

The ornamental design for a card shuffler, as shown and described.

**DESCRIPTION**

FIG. 1 is a perspective view of the card shuffler of the instant invention;

FIG. 2 is a top plan view thereof;

FIG. 3 is a bottom view thereof;

FIG. 4 is a left side elevational view thereof;

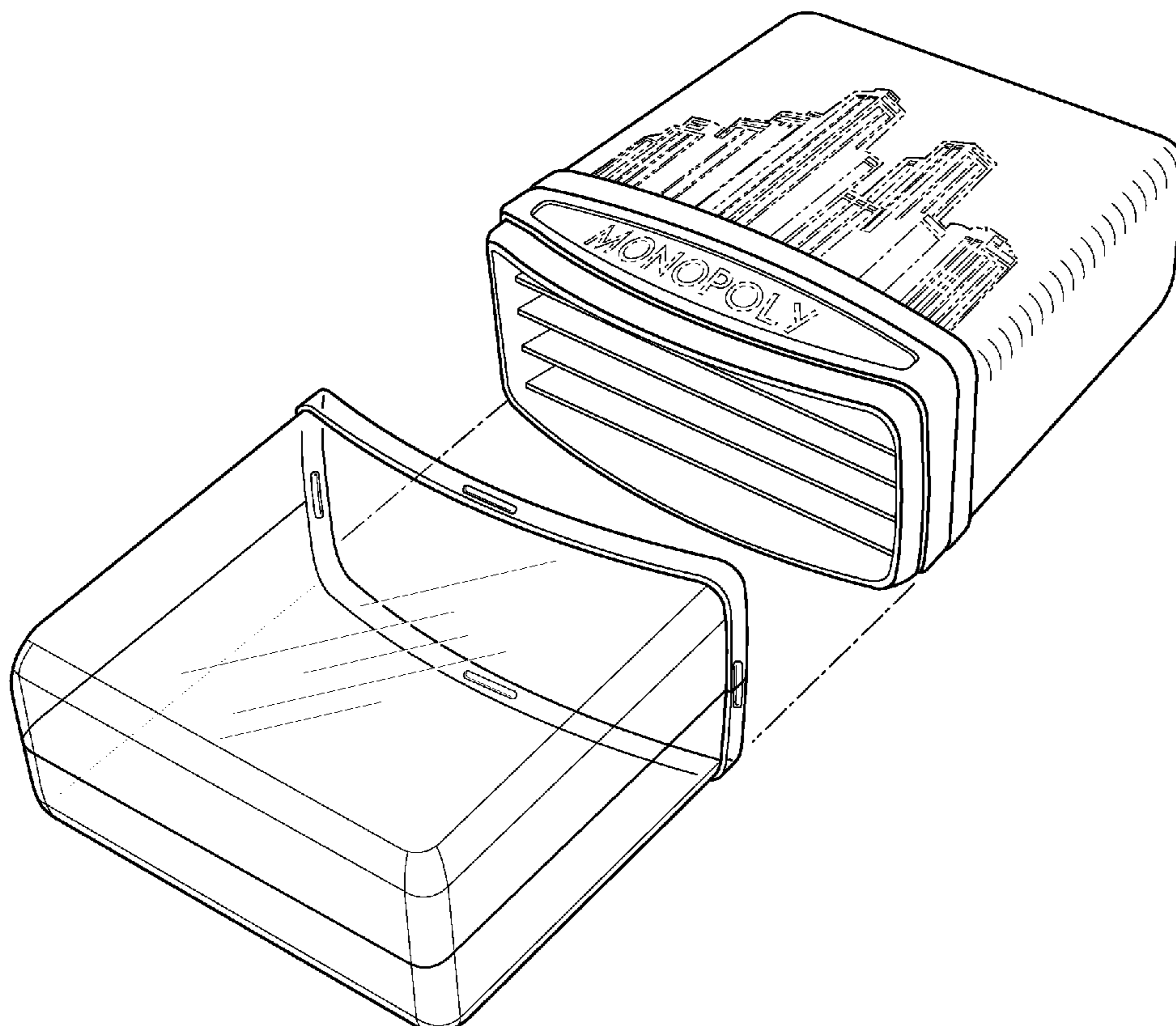
FIG. 5 is a right side elevational view thereof;

FIG. 6 is a front elevational view thereof; and,

FIG. 7 is a rear elevational view thereof.

The broken lines and indicia shown in the drawings are for illustrative purposes only and form no part of the claimed design.

**1 Claim, 4 Drawing Sheets**



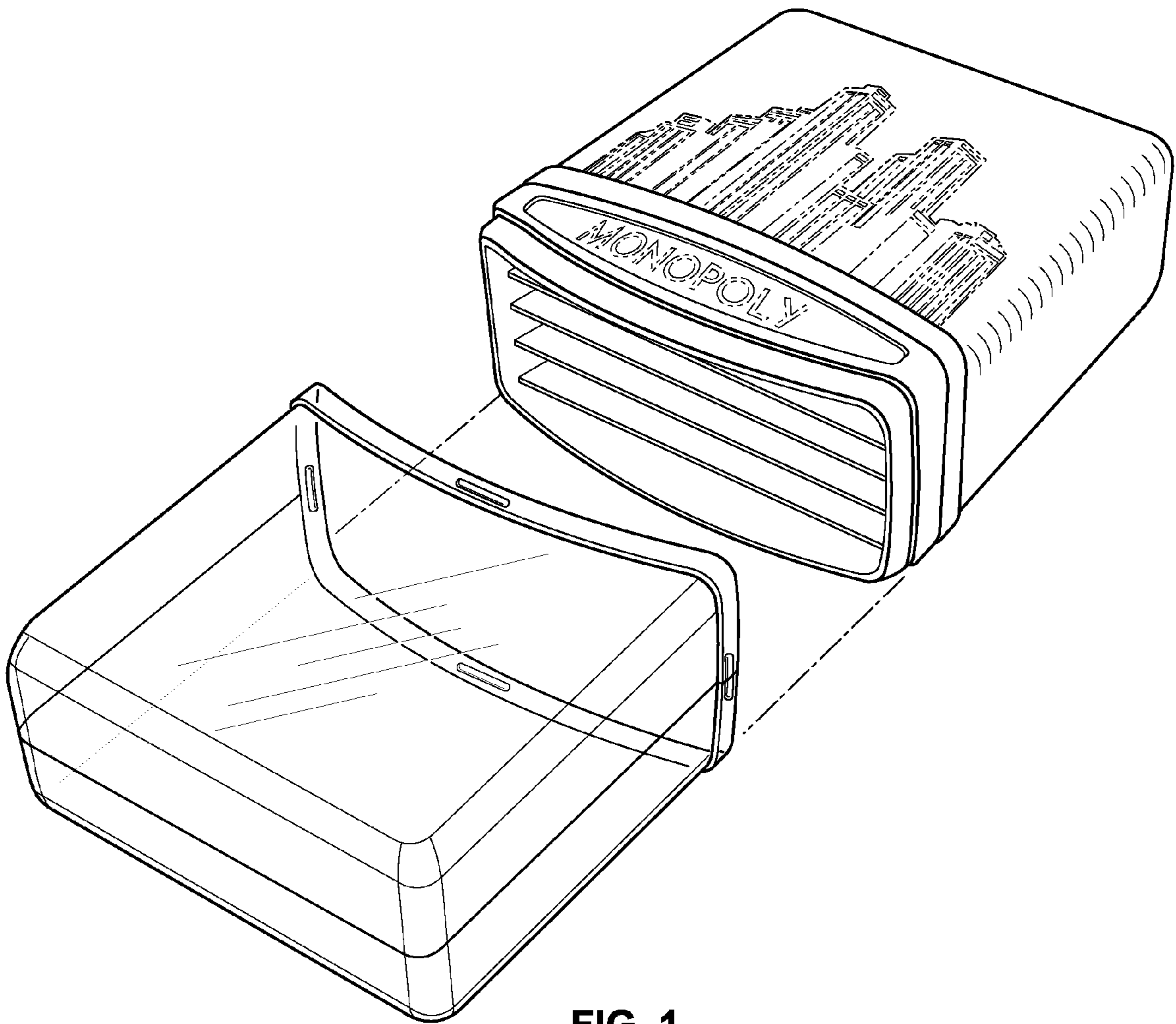
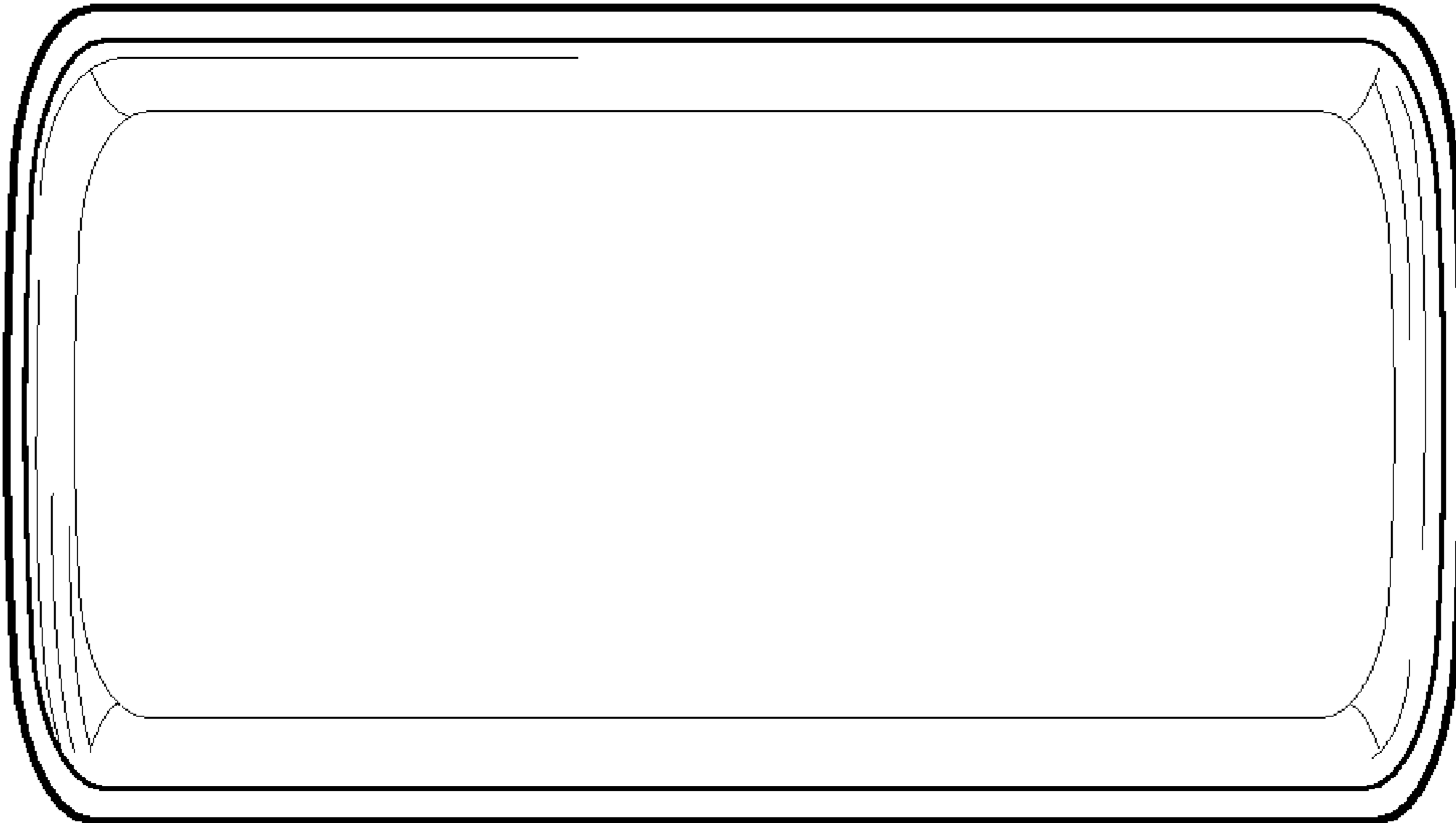
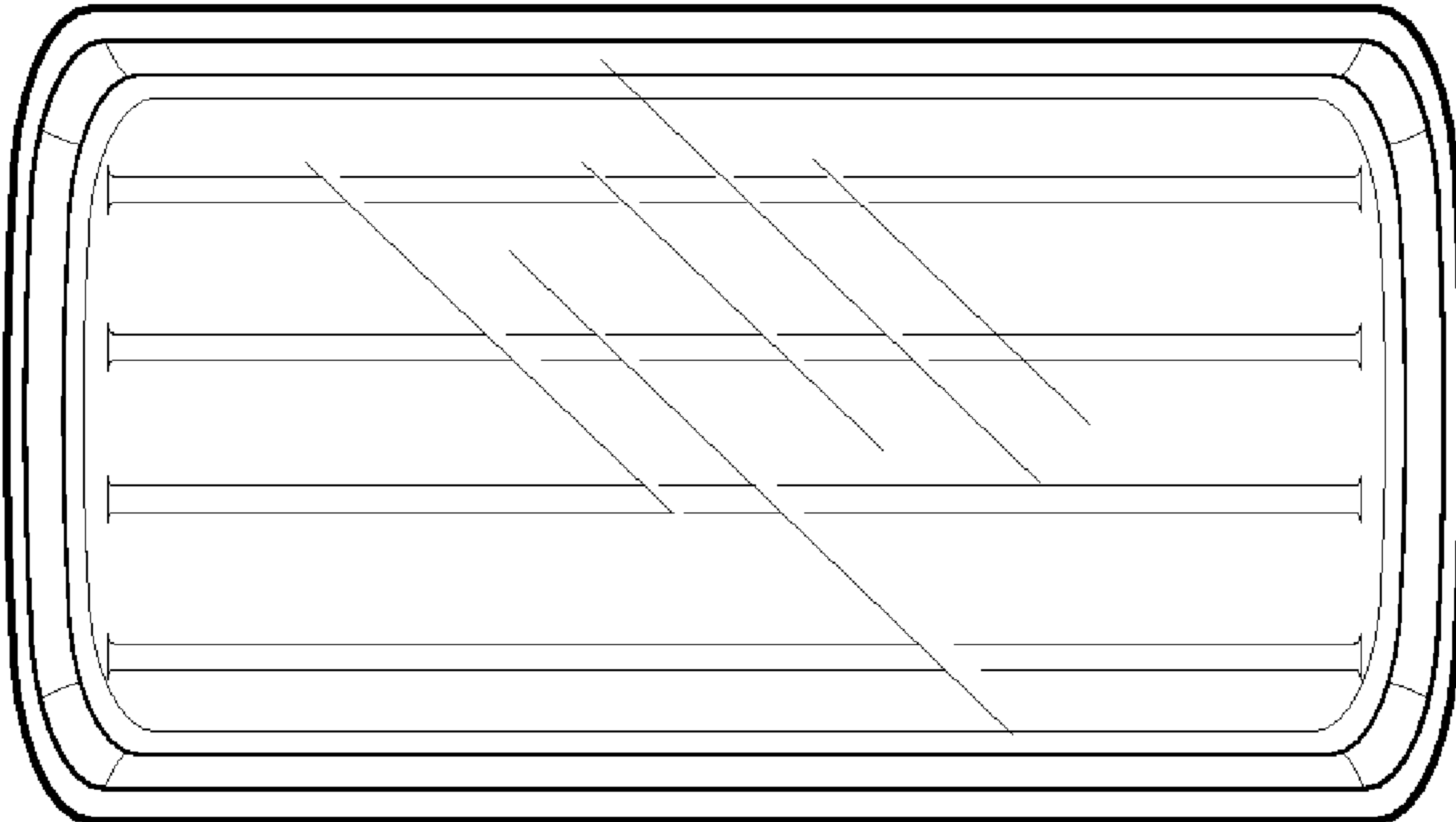


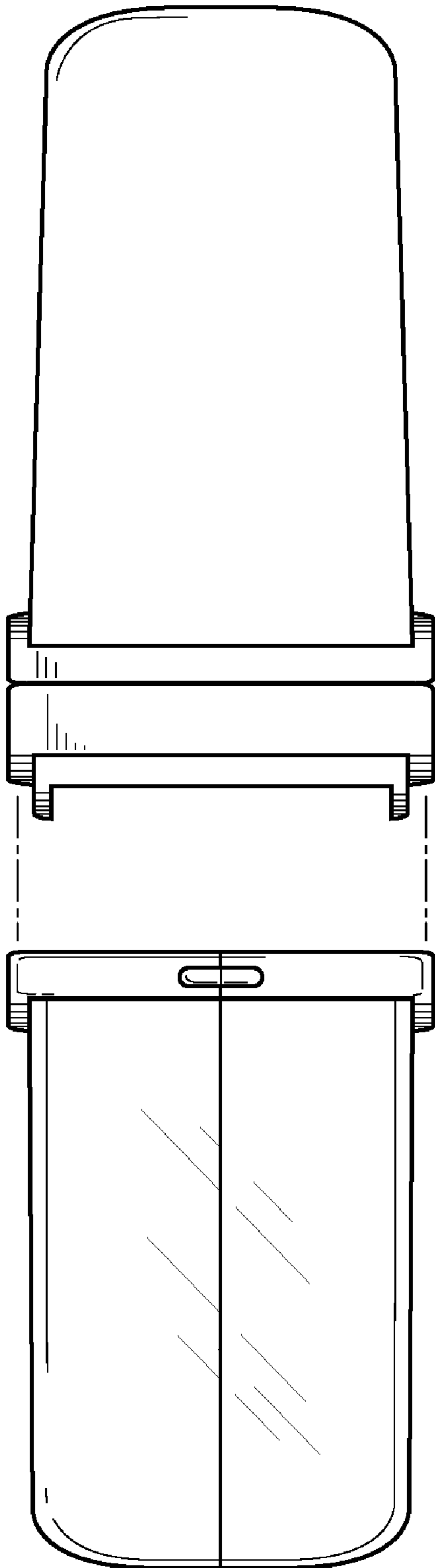
FIG. 1



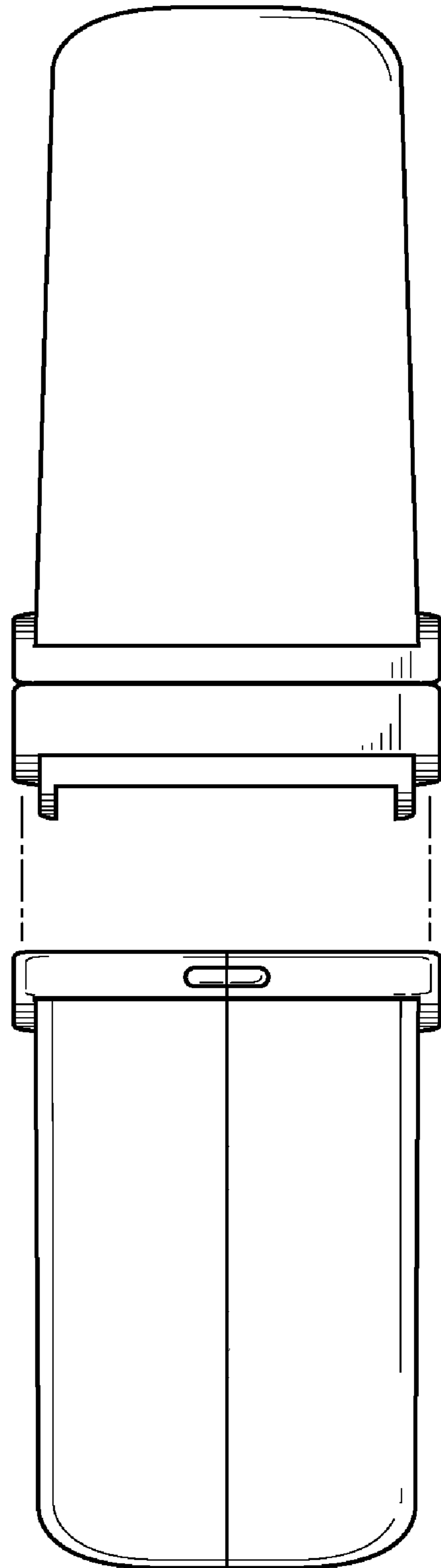
**FIG. 2**



**FIG. 3**



**FIG. 4**



**FIG. 5**

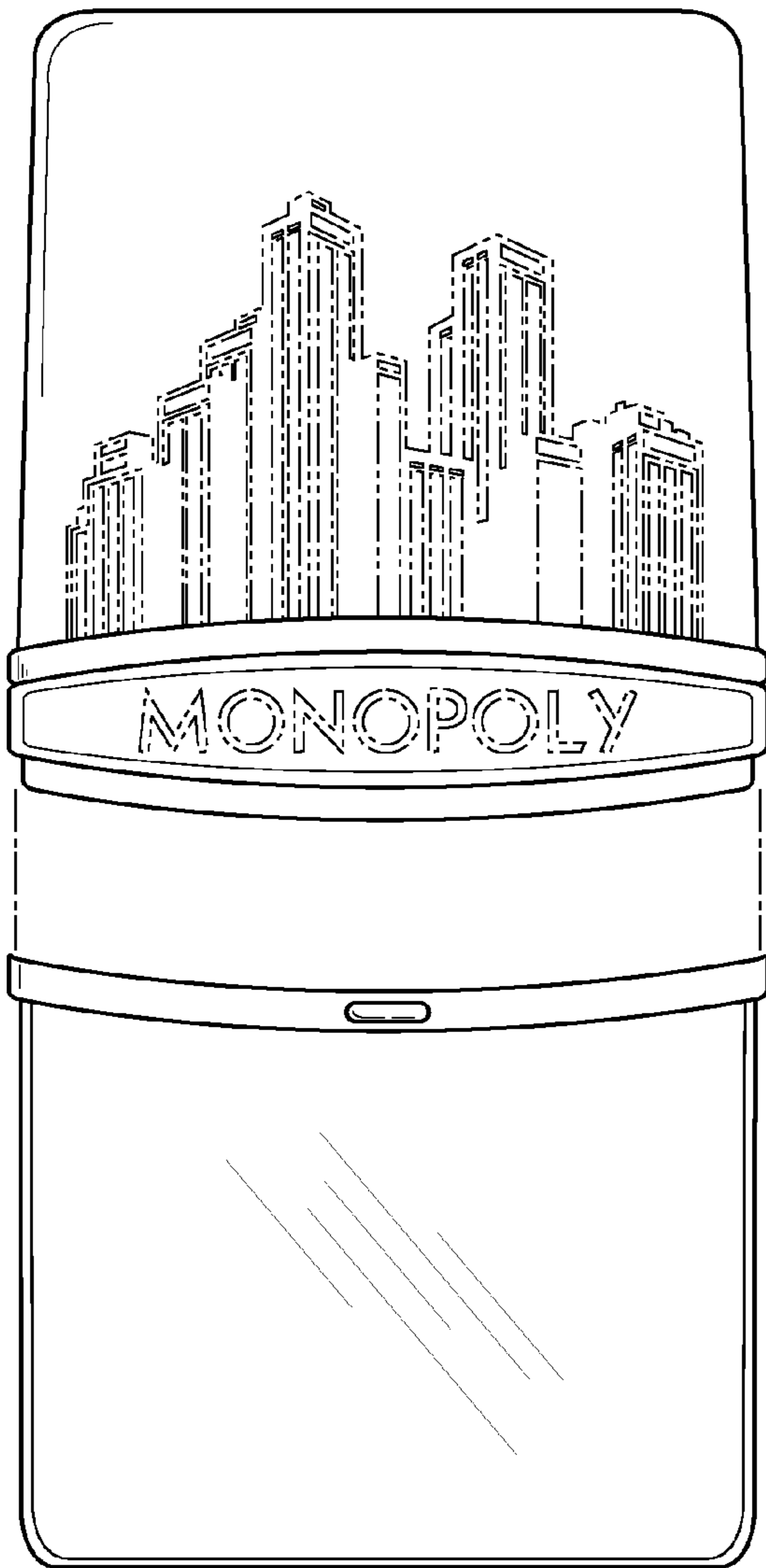


FIG. 6

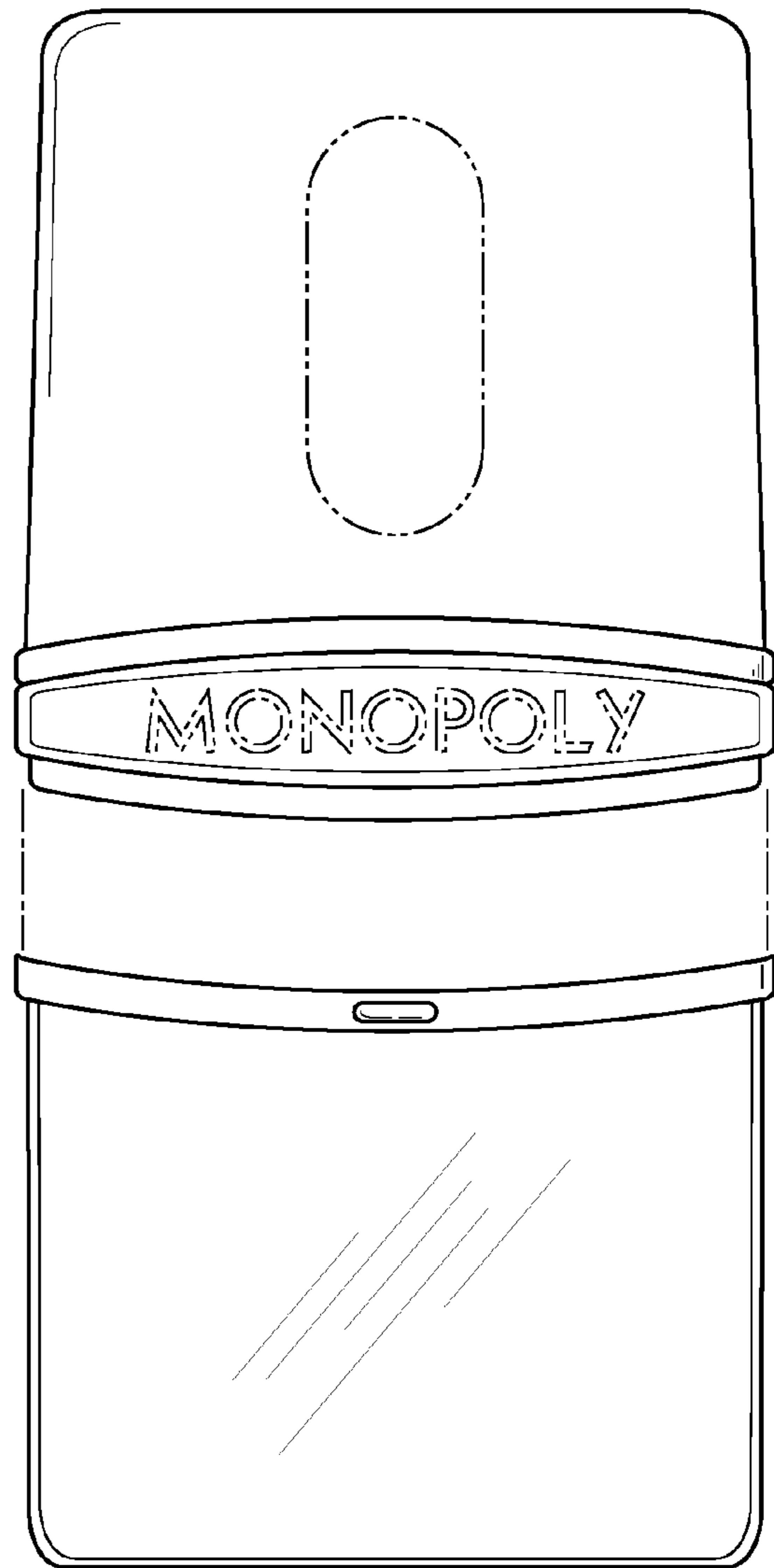


FIG. 7