



US00D605708S

(12) **United States Design Patent**  
**Chapman et al.**

(10) **Patent No.:** **US D605,708 S**  
(45) **Date of Patent:** **\*\* Dec. 8, 2009**

(54) **STRATEGIC PATTERN BUILDING BOARD  
GAME WITH EJECTING FEATURE**

6,533,277 B1 3/2003 Yin  
D535,703 S \* 1/2007 Creech ..... D21/335  
D544,548 S 6/2007 Miller

(75) Inventors: **Katharine Chapman**, Berkshire (GB);  
**Lee Lenkarski**, Belchertown, MA (US)

\* cited by examiner

(73) Assignee: **Hasbro, Inc.**, Pawtucket, RI (US)

*Primary Examiner*—Sandra Morris

(74) *Attorney, Agent, or Firm*—Perry Hoffman

(\*\*) Term: **14 Years**

(57) **CLAIM**

(21) Appl. No.: **29/328,581**

The ornamental design for a strategic pattern building board game with ejecting feature, as shown and described.

(22) Filed: **Nov. 26, 2008**

(51) **LOC (9) Cl.** ..... **21-01**

(52) **U.S. Cl.** ..... **D21/337**

(58) **Field of Classification Search** ..... D21/334–368;  
273/236–288

See application file for complete search history.

**DESCRIPTION**

FIG. 1 is a perspective view of the strategic pattern building board game with ejecting feature of the instant invention;

FIG. 2 is a top plan view thereof;

FIG. 3 is a bottom plan view thereof;

FIG. 4 is a front elevational view thereof;

FIG. 5 is a rear elevational view thereof;

FIG. 6 is a right side elevational view thereof; and,

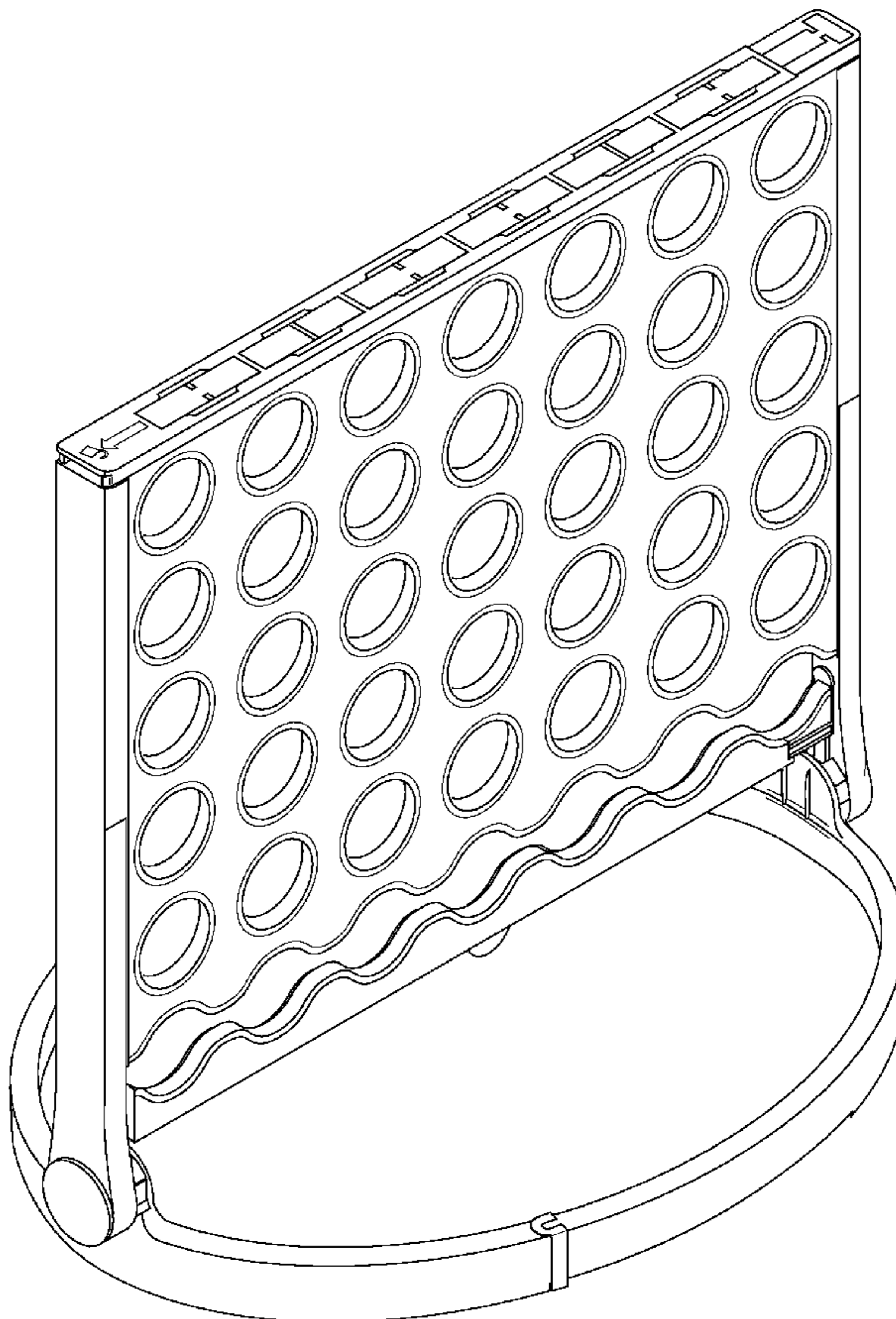
FIG. 7 is a left side elevational view thereof.

(56) **References Cited**

U.S. PATENT DOCUMENTS

3,149,842	A	9/1964	Cirrincone	
3,506,267	A	4/1970	Taillie	
4,381,112	A *	4/1983	Dupuy	..... 273/239
5,154,428	A	10/1992	Woolhouse	

**1 Claim, 5 Drawing Sheets**



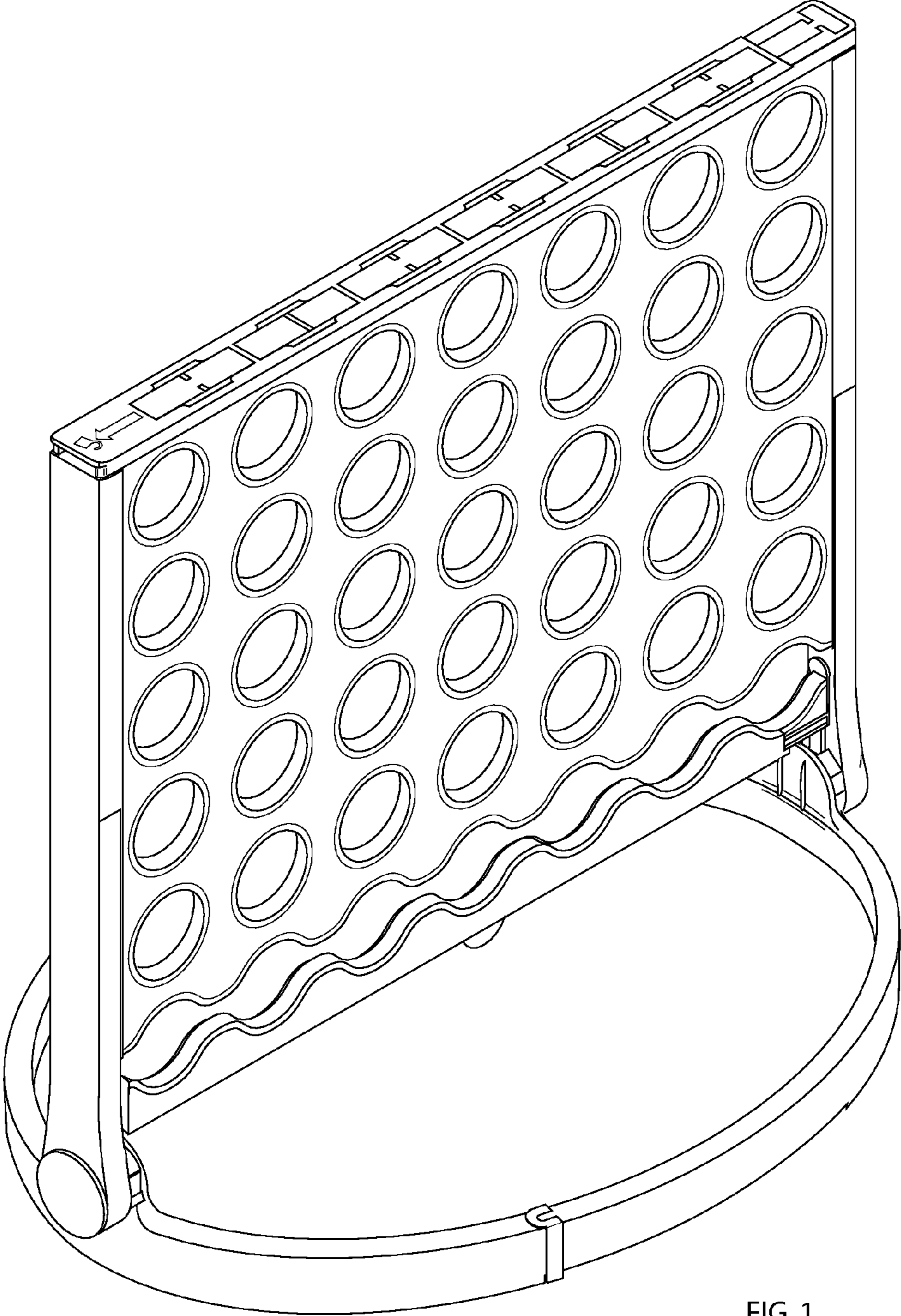


FIG. 1

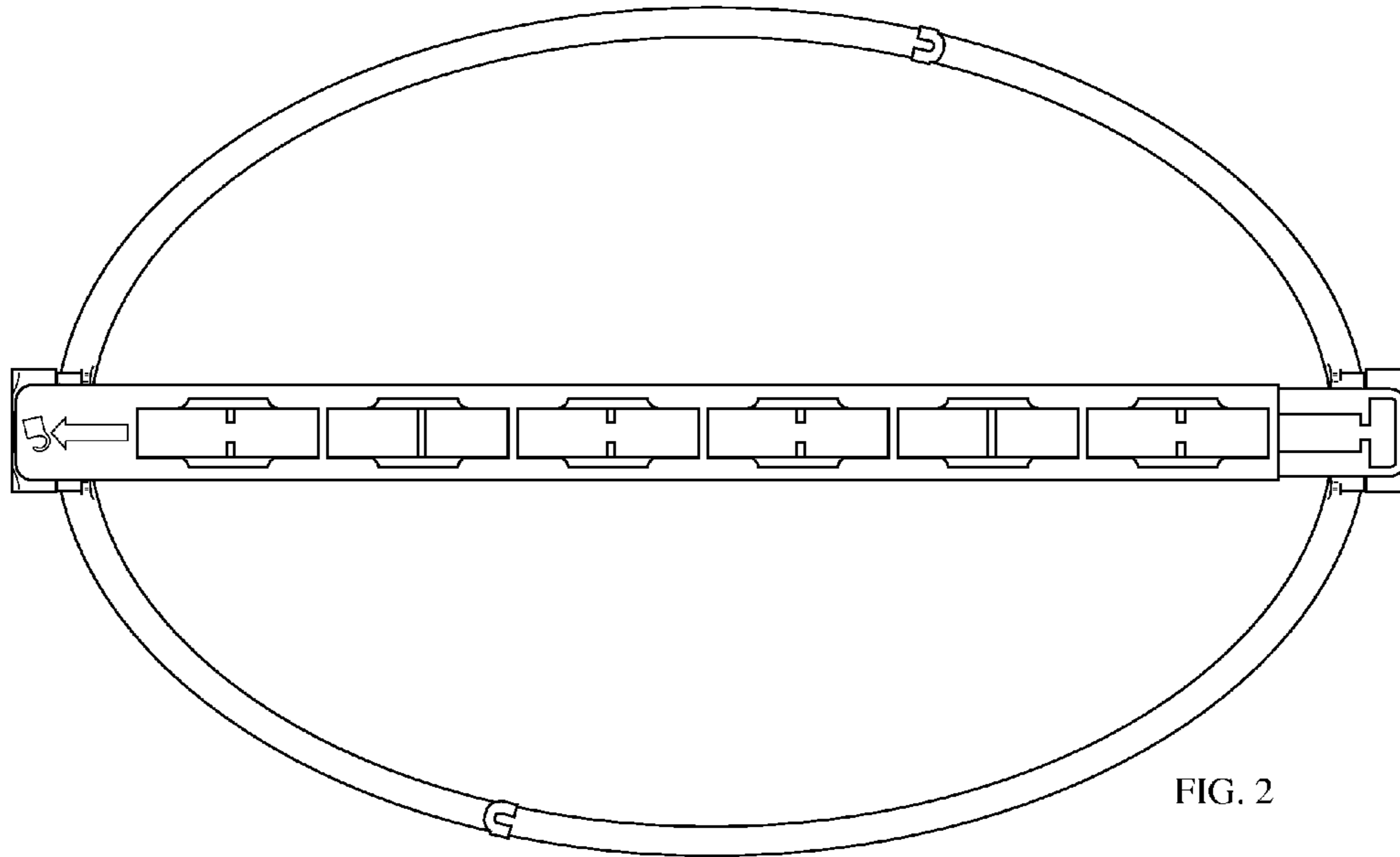


FIG. 2

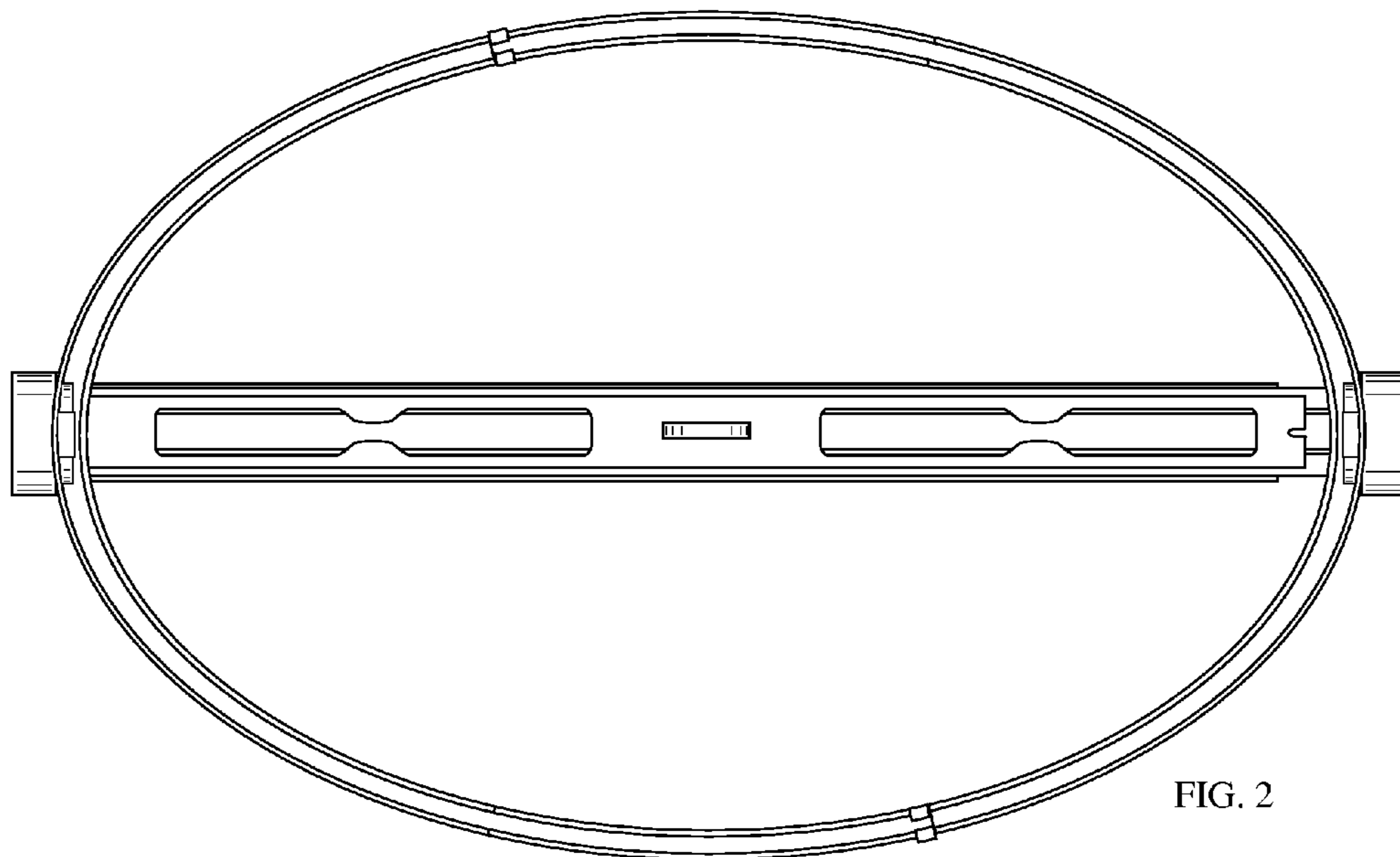


FIG. 2

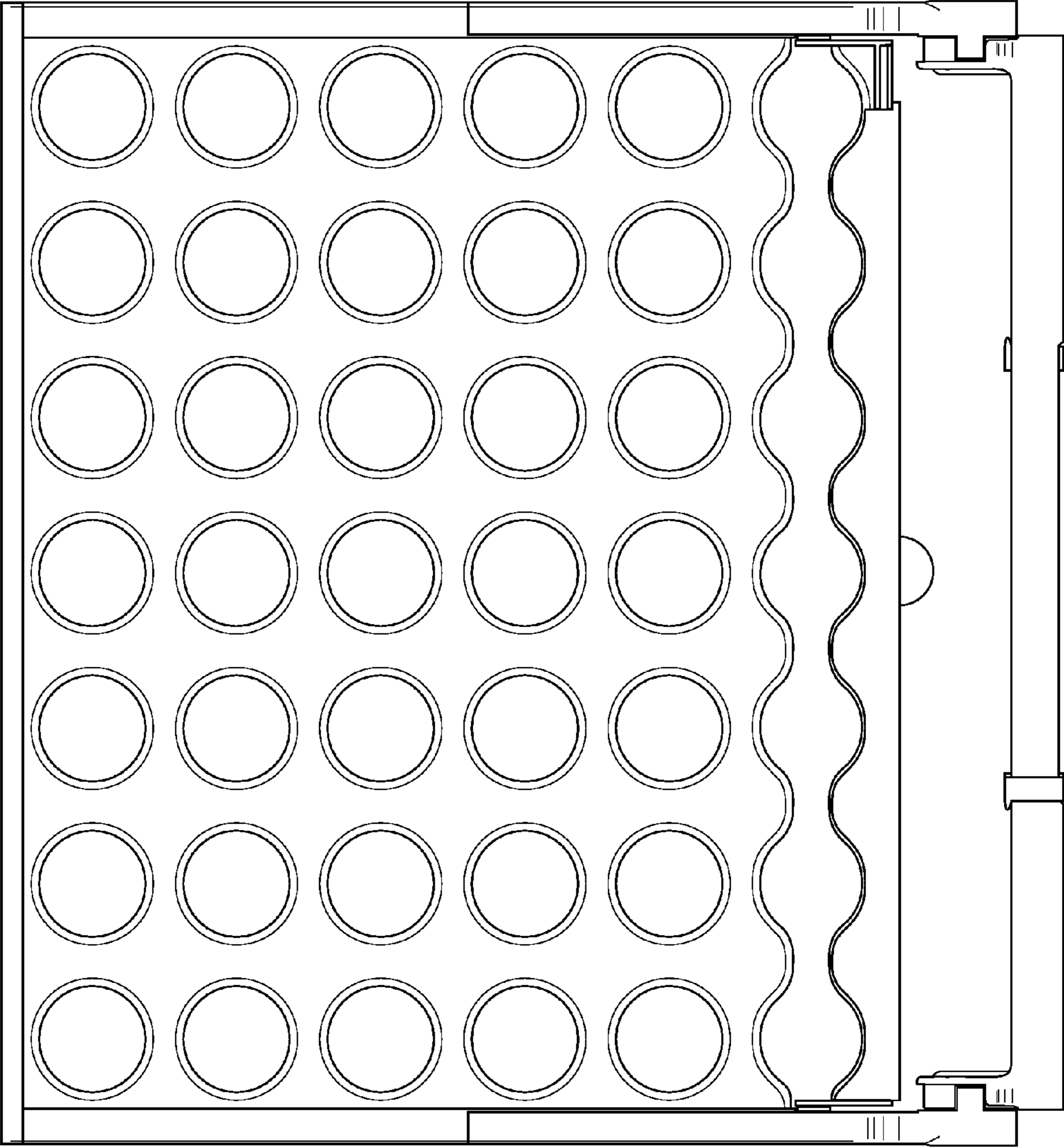


FIG. 4

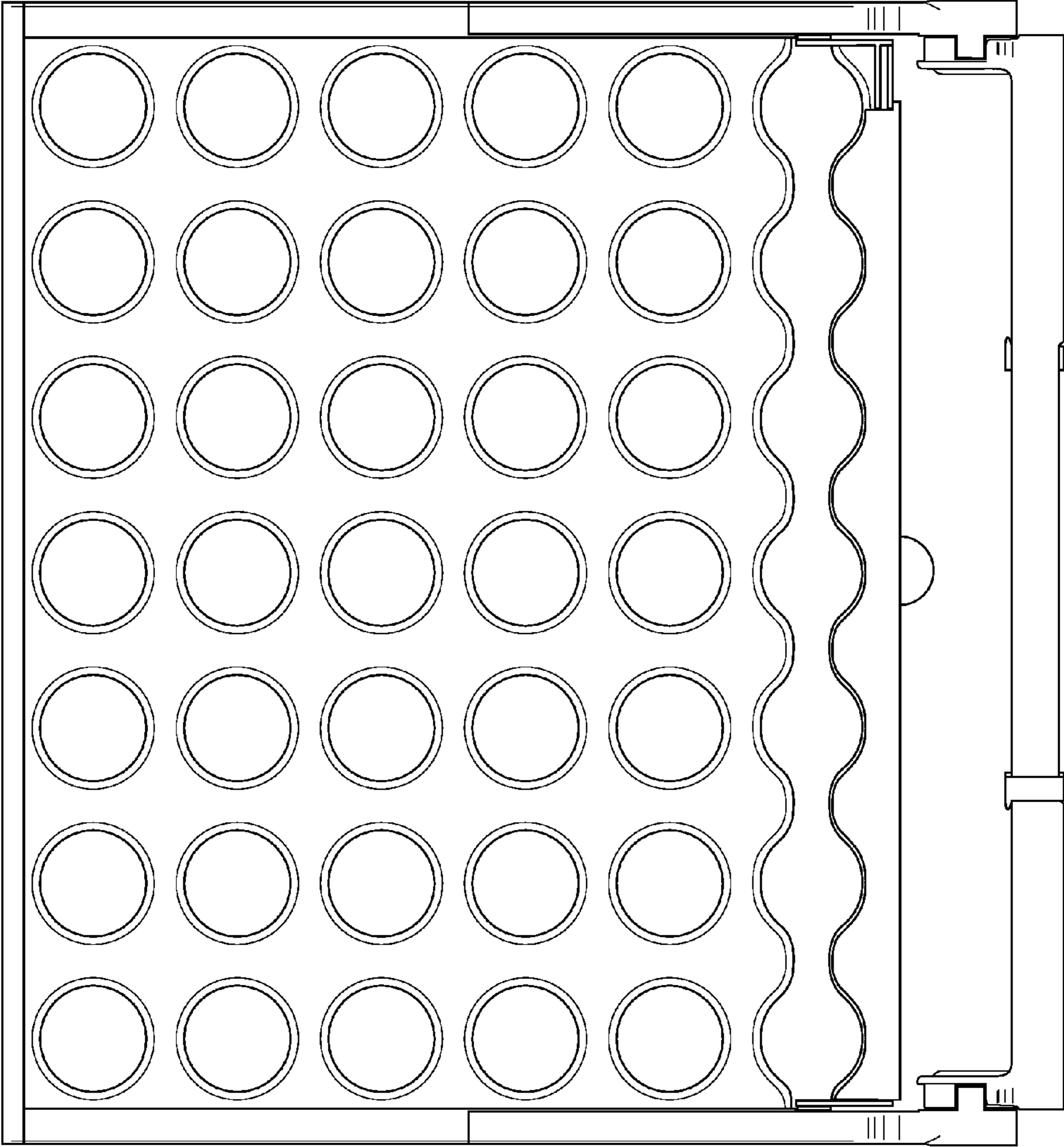


FIG. 5

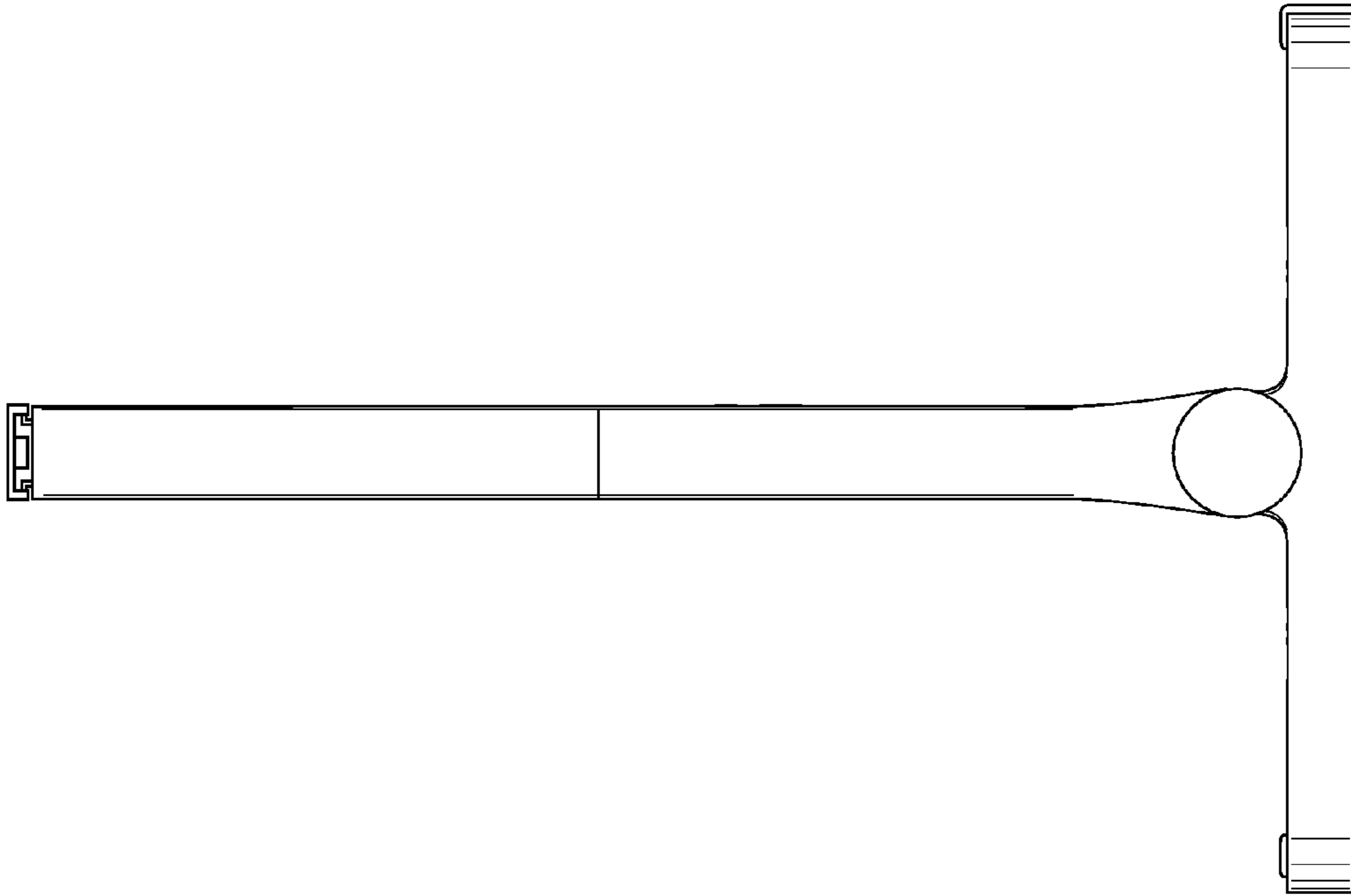


FIG. 7

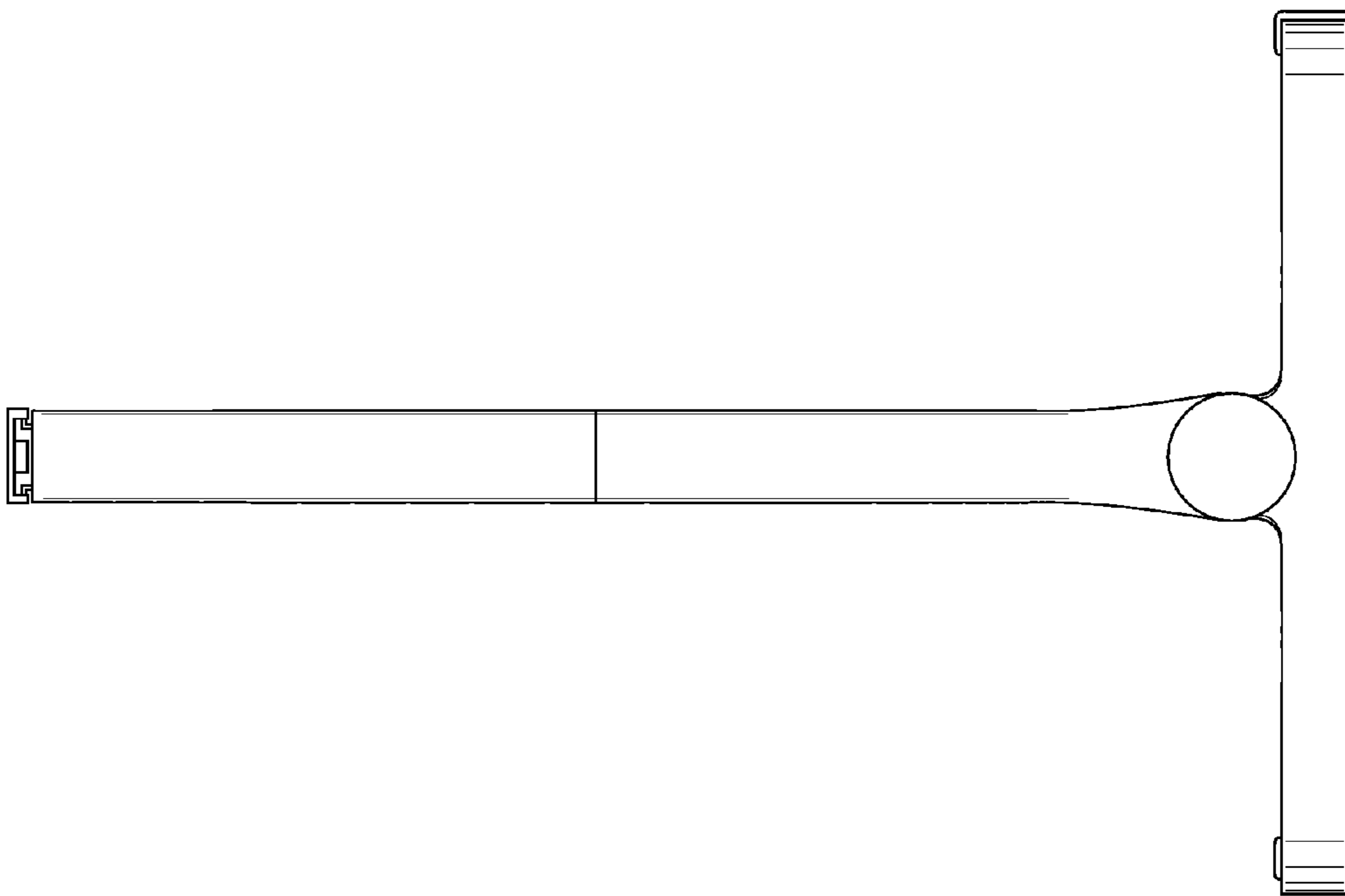


FIG. 6