



US00D605707S

(12) **United States Design Patent**
Dean

(10) **Patent No.:** **US D605,707 S**
(45) **Date of Patent:** **** Dec. 8, 2009**

(54) **PORTABLE GAME ASSEMBLY**
(75) Inventor: **Scott Dean**, Hertfordshire (GB)
(73) Assignee: **Hasbro, Inc.**, Pawtucket, RI (US)
(**) Term: **14 Years**

5,154,428 A 10/1992 Woolhouse
5,284,346 A 2/1994 Reinhardt et al.
5,401,031 A 3/1995 Kuna et al.
D385,585 S 10/1997 Sedlmeyer
6,068,262 A 5/2000 Goldfarb et al.
D544,548 S 6/2007 Miller

(21) Appl. No.: **29/327,776**

Primary Examiner—Sandra Morris
(74) *Attorney, Agent, or Firm*—Perry Hoffman

(22) Filed: **Nov. 13, 2008**

(57) **CLAIM**

(51) **LOC (9) Cl.** **21-01**

The ornamental design for a portable game assembly, as shown and described.

(52) **U.S. Cl.** **D21/337**

(58) **Field of Classification Search** D21/334–368;
273/236–288

DESCRIPTION

See application file for complete search history.

FIG. 1 is a perspective view of the portable game assembly of the instant invention in an open position;

(56) **References Cited**

FIG. 2 is a top plan view thereof;

U.S. PATENT DOCUMENTS

FIG. 3 is a bottom plan view thereof;

1,988,301 A	1/1935	Coffin
2,053,598 A	9/1936	Blau
2,436,273 A	2/1948	Solomon
2,794,641 A	6/1957	Baker et al.
2,898,108 A	8/1959	Meyer
3,082,004 A	3/1963	Friedman
3,149,842 A	9/1964	Cirrincone
3,514,110 A	5/1970	Thomander
3,565,436 A	2/1971	Opmeer
4,280,704 A	7/1981	Massimei et al.
4,319,754 A	3/1982	Yaworsky
4,381,112 A	4/1983	Dupuy
4,432,554 A	2/1984	Beamon et al.
4,801,148 A	1/1989	Lamb

FIG. 4 is a front elevational view thereof;

FIG. 5 is a rear elevational view thereof;

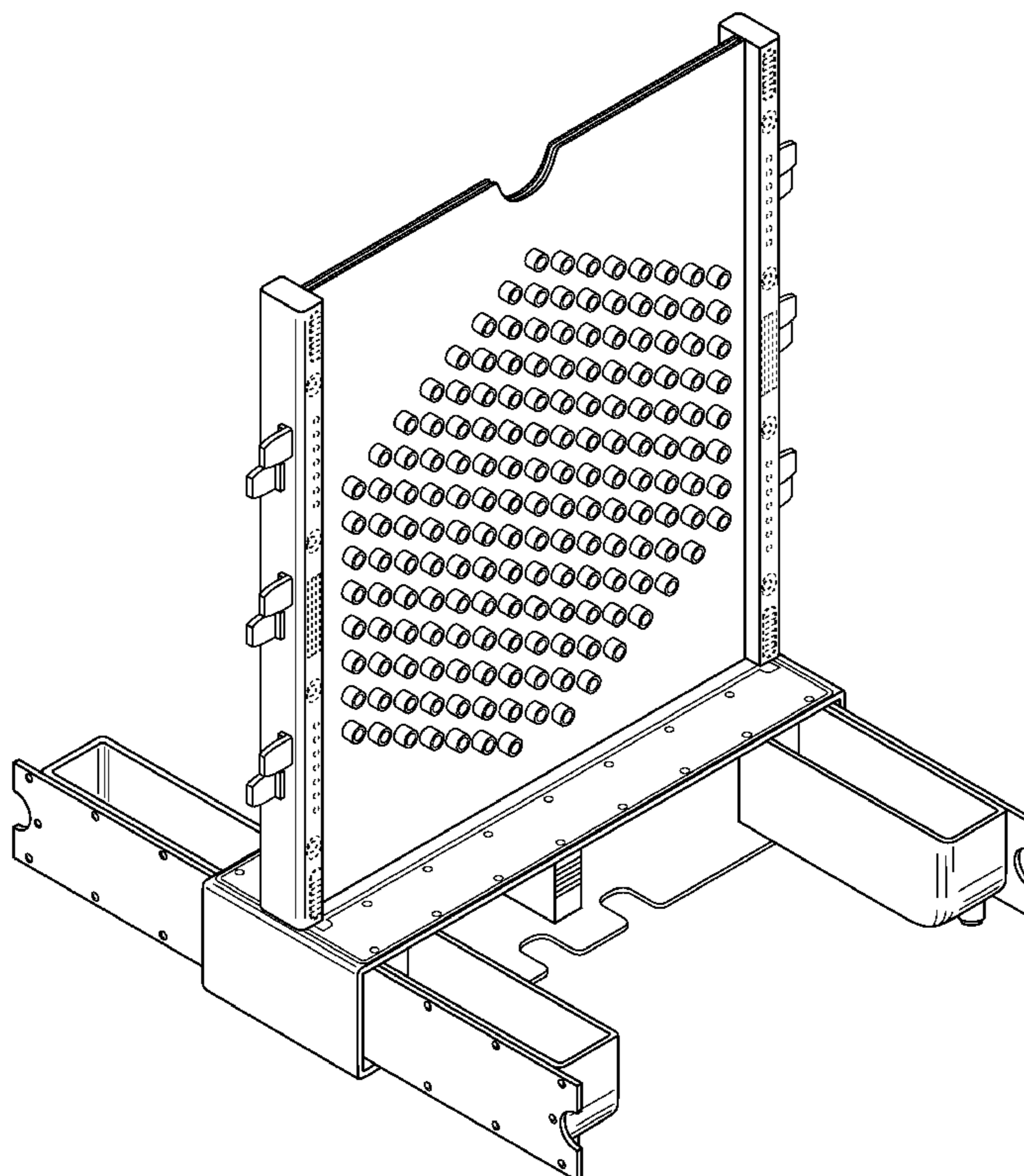
FIG. 6 is a left side elevational view thereof;

FIG. 7 is a right side elevational view thereof; and,

FIG. 8 is a perspective view of the portable game assembly thereof in a closed position.

The broken lines and indicia shown in the drawings are not part of the claimed design and are shown for illustrative purposes.

1 Claim, 8 Drawing Sheets



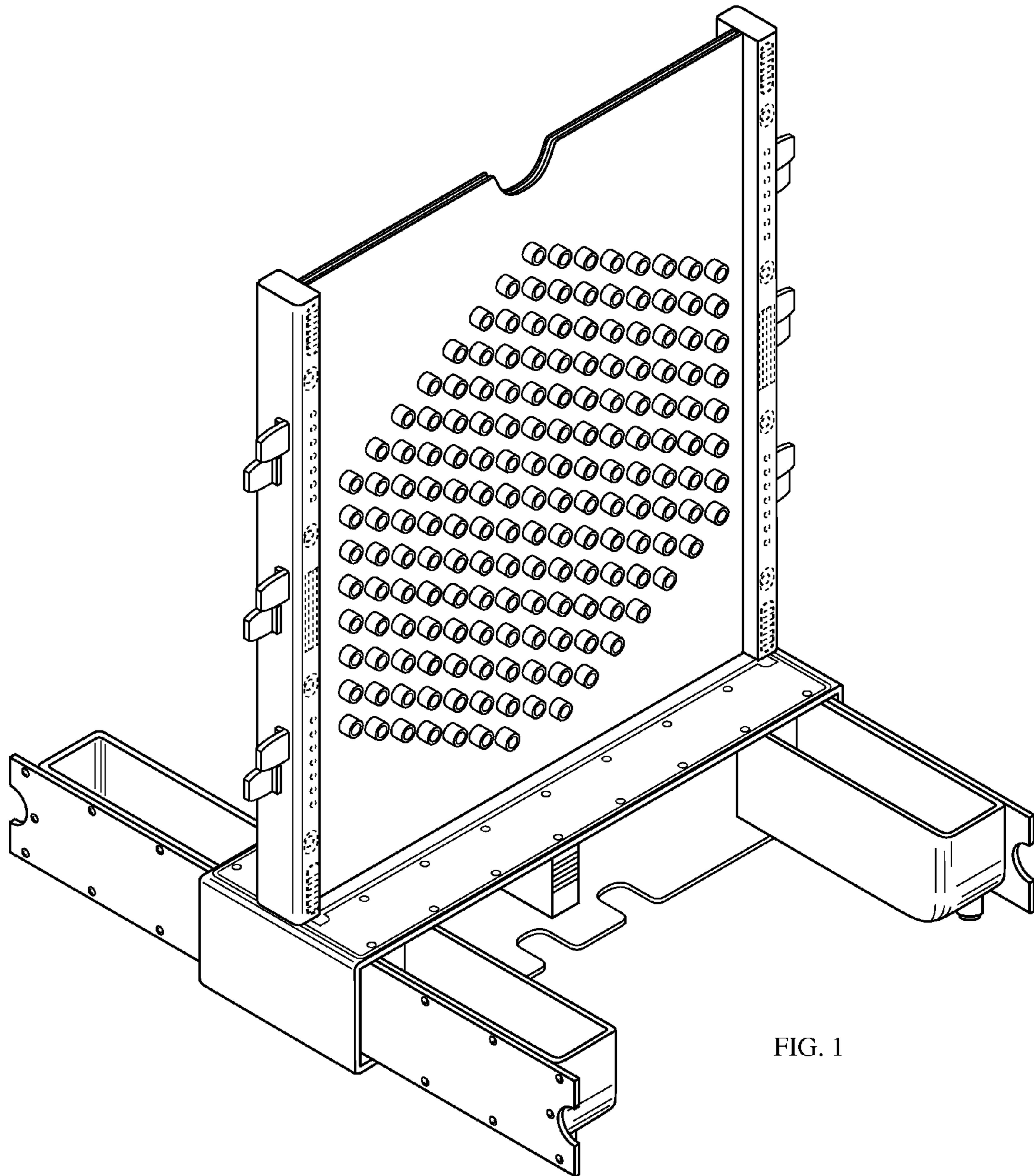


FIG. 1

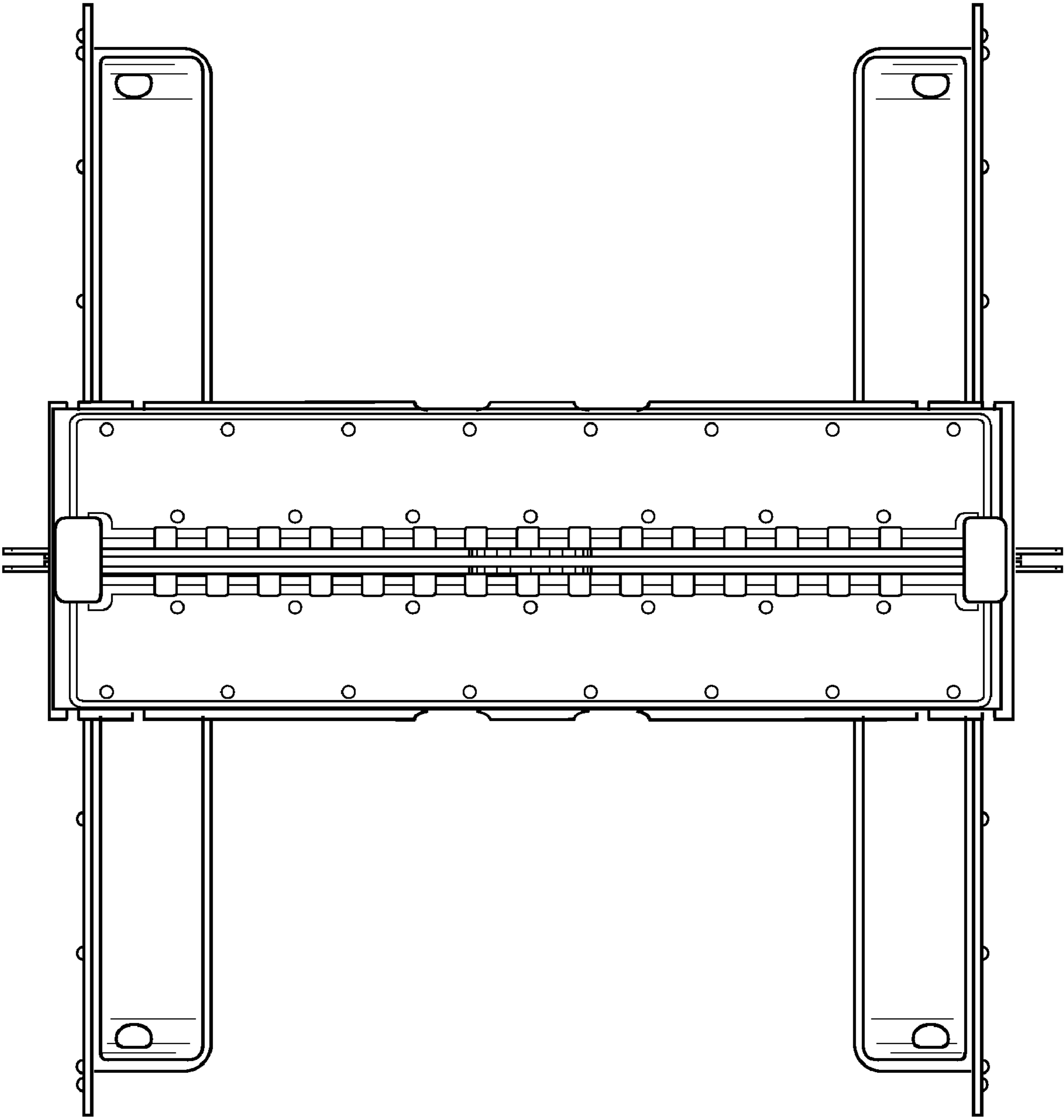


FIG. 2

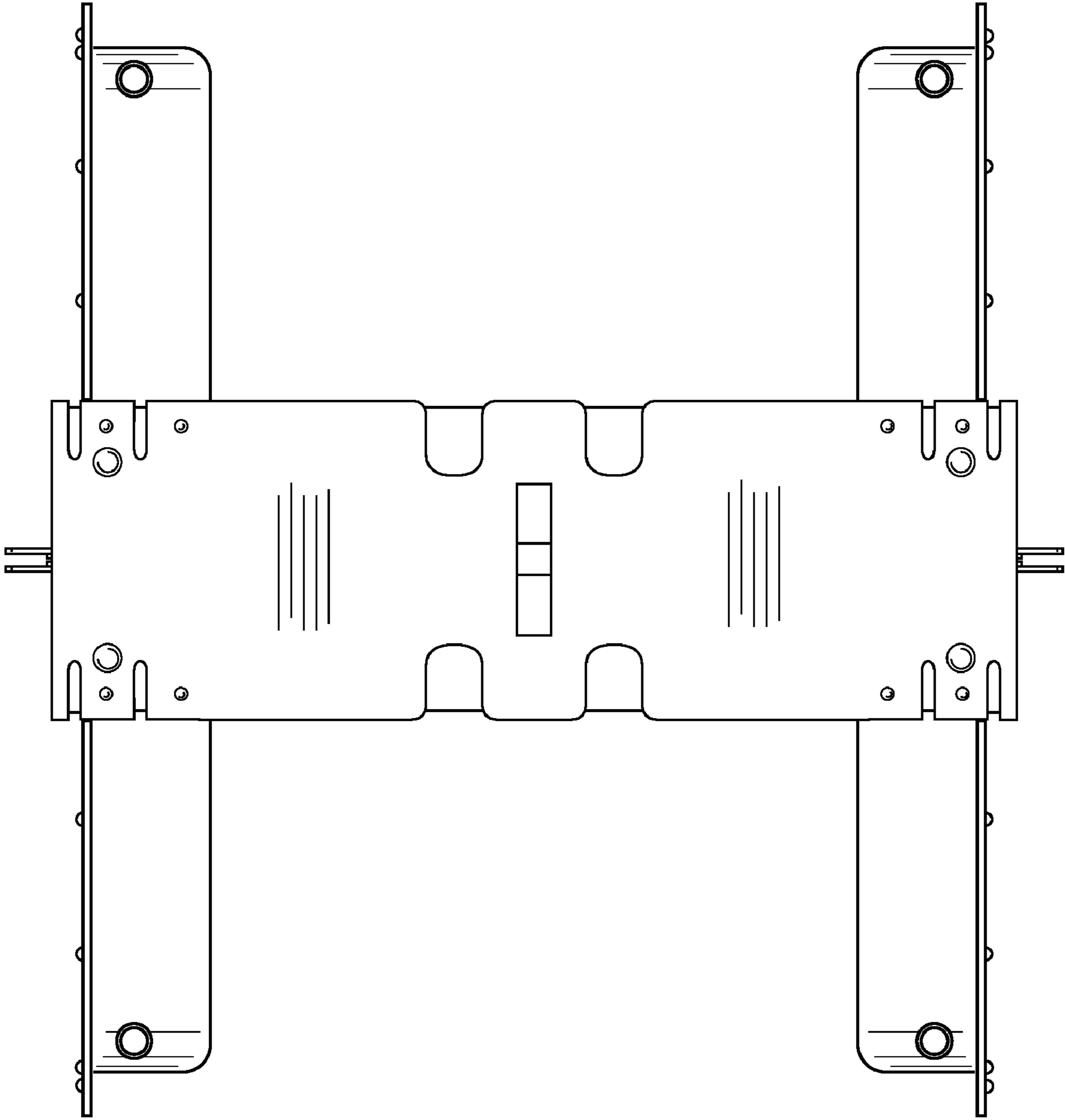


FIG. 3

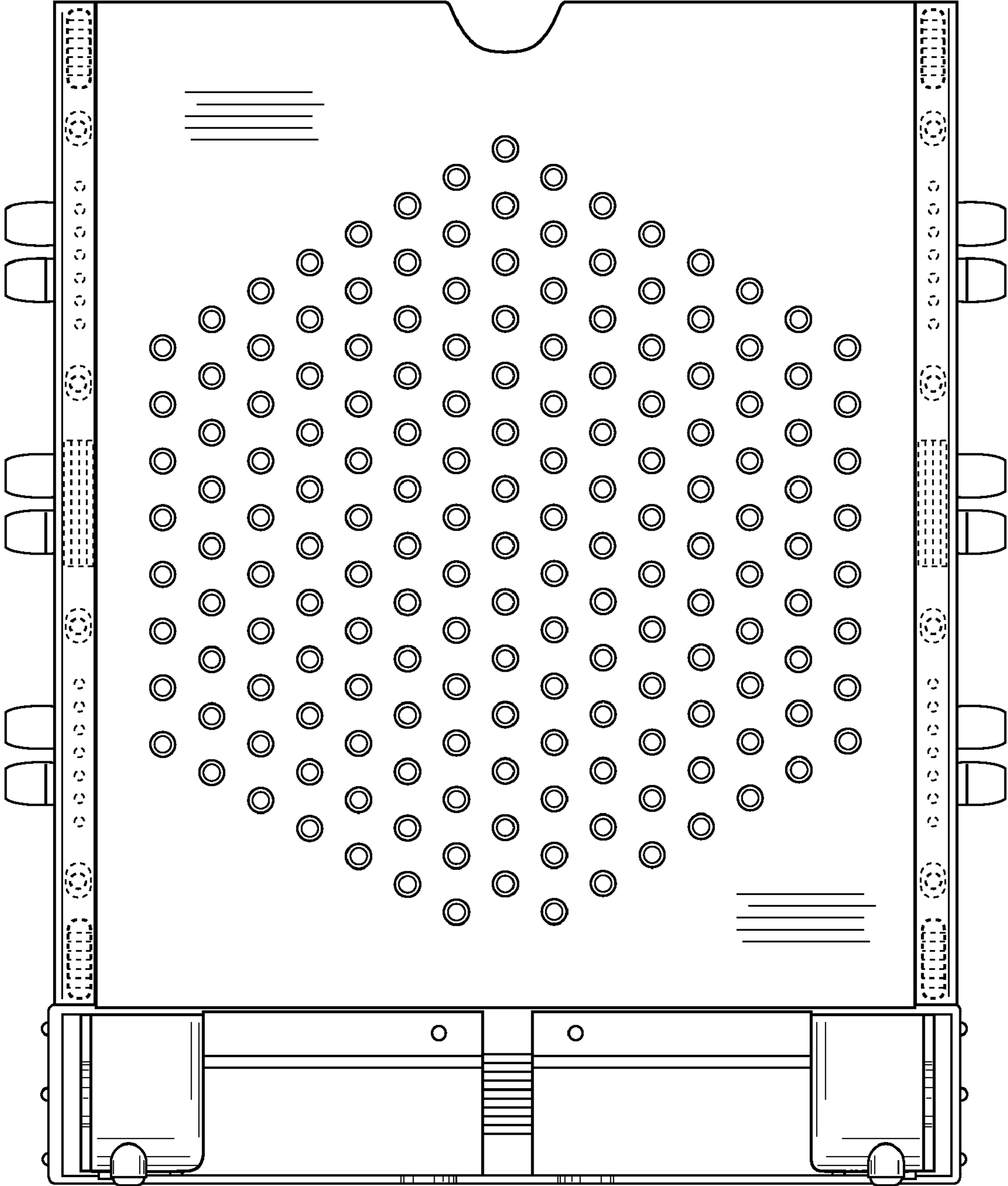


FIG. 4

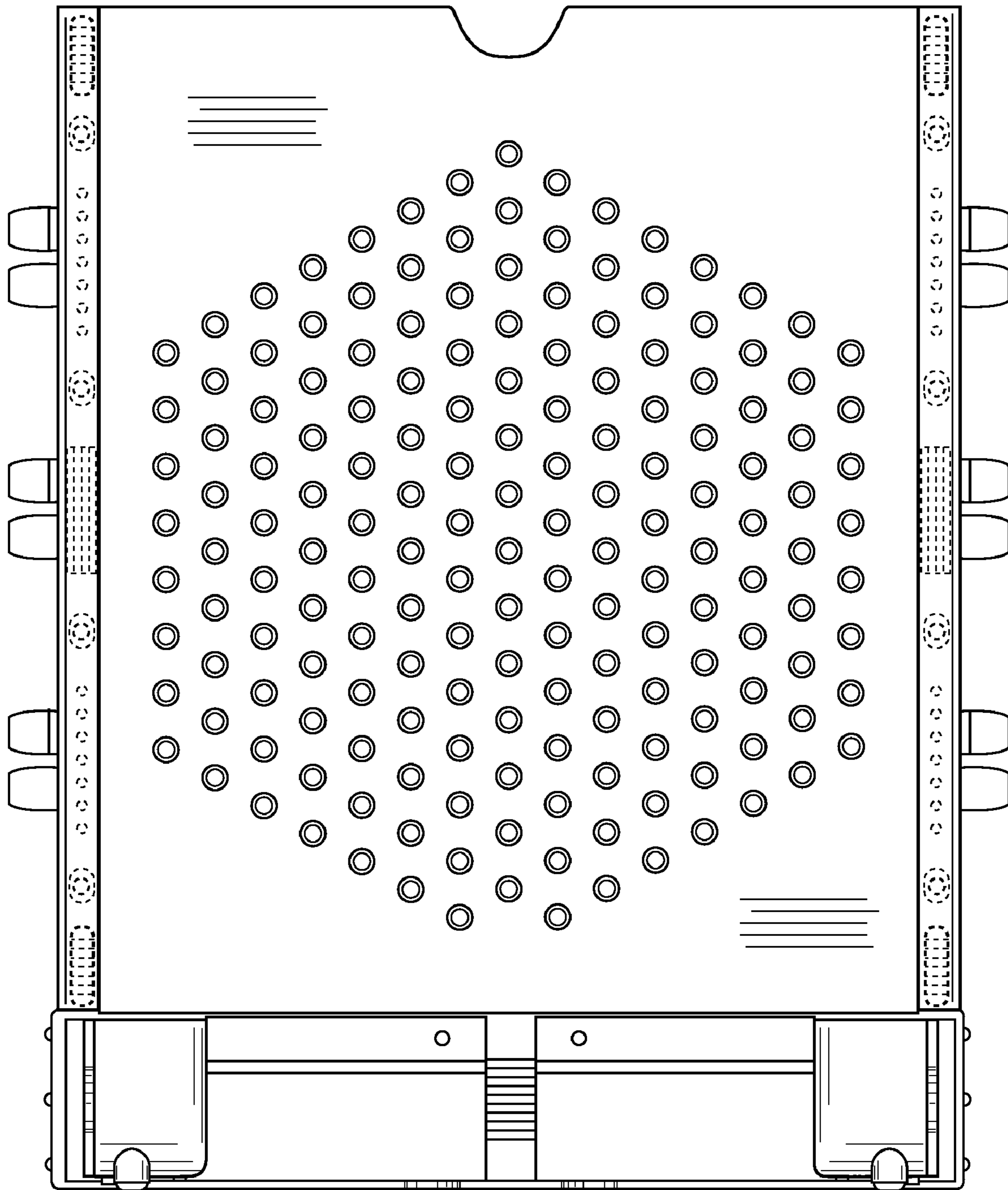


FIG. 5

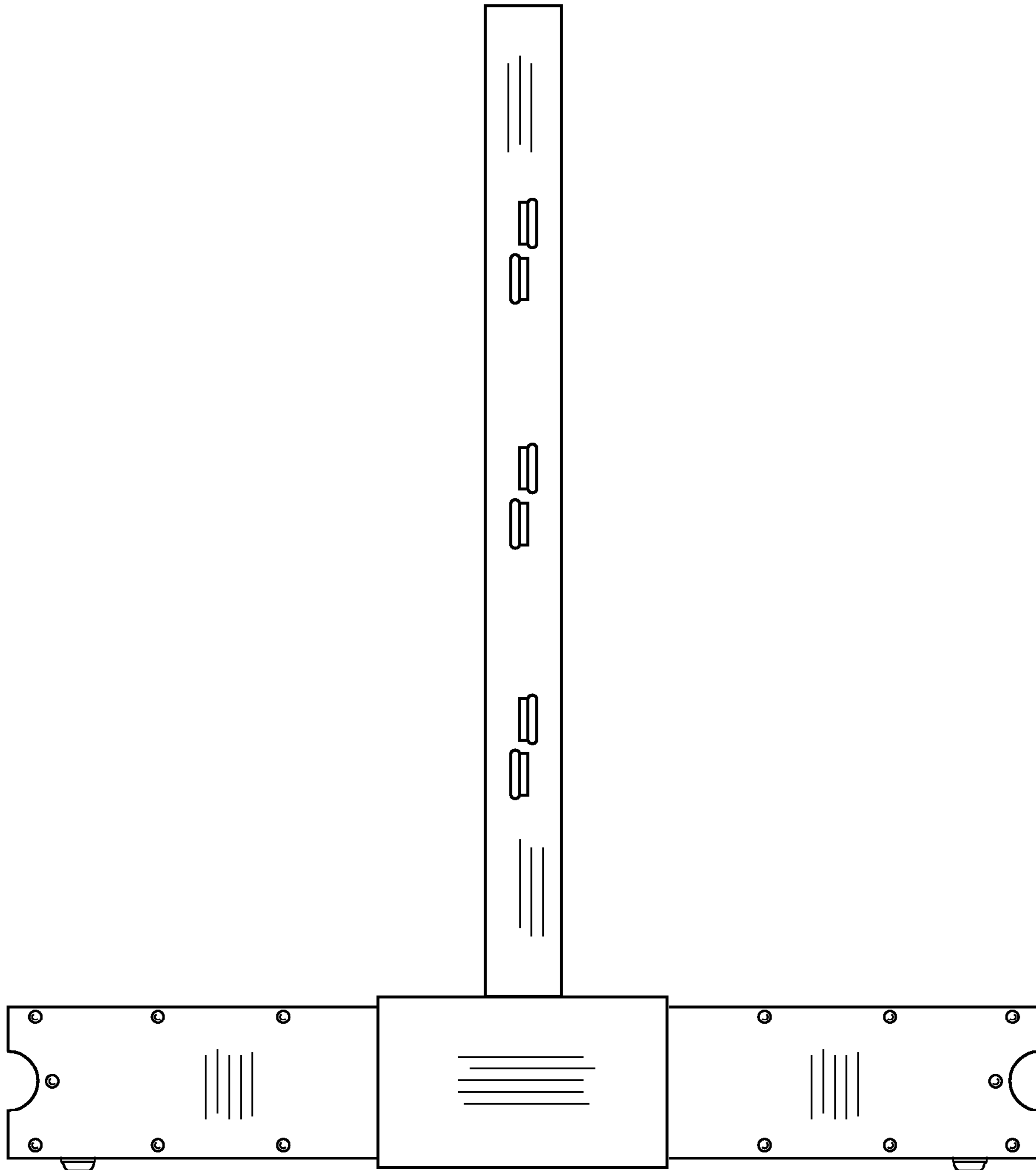


FIG. 6

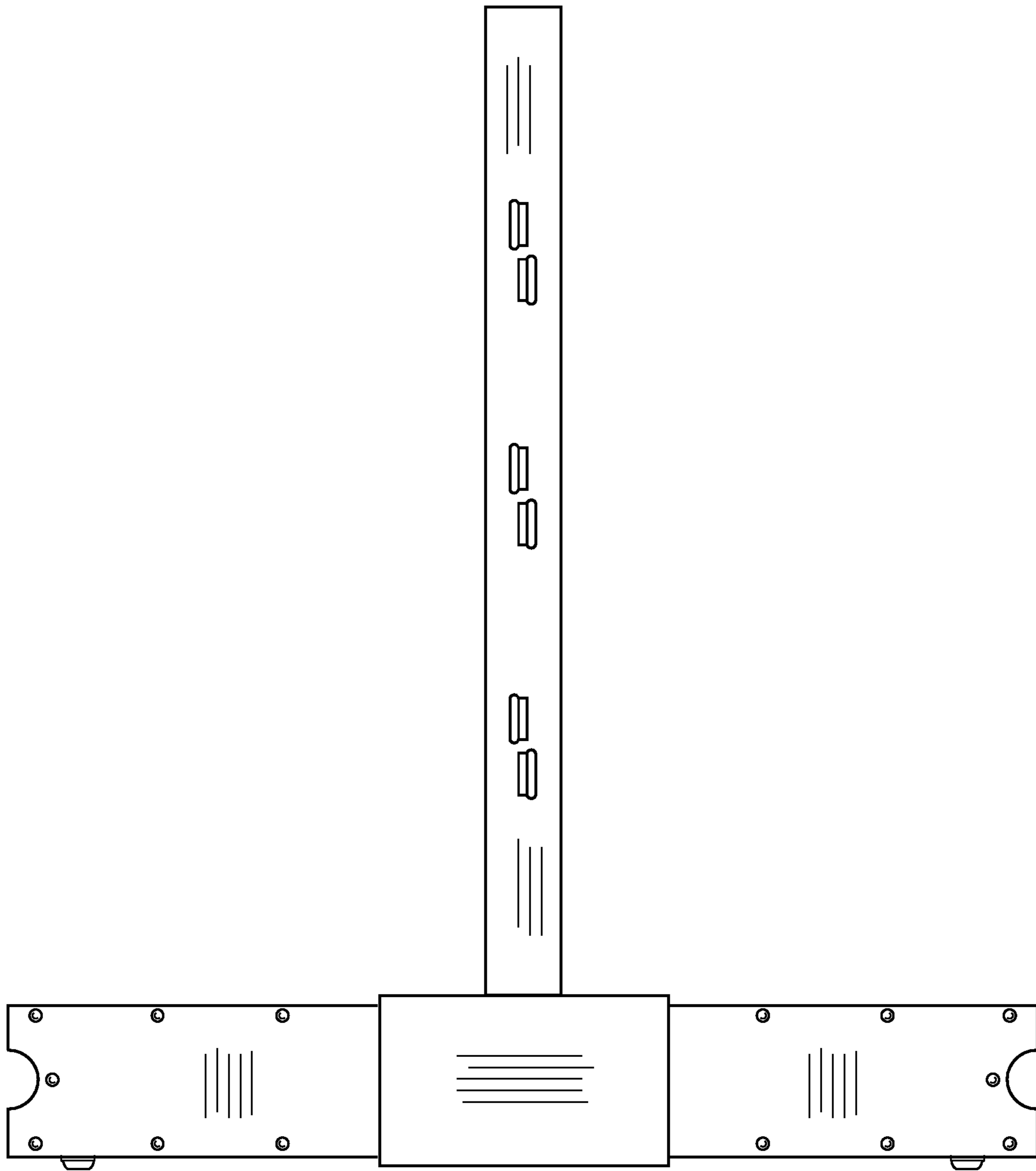


FIG. 7

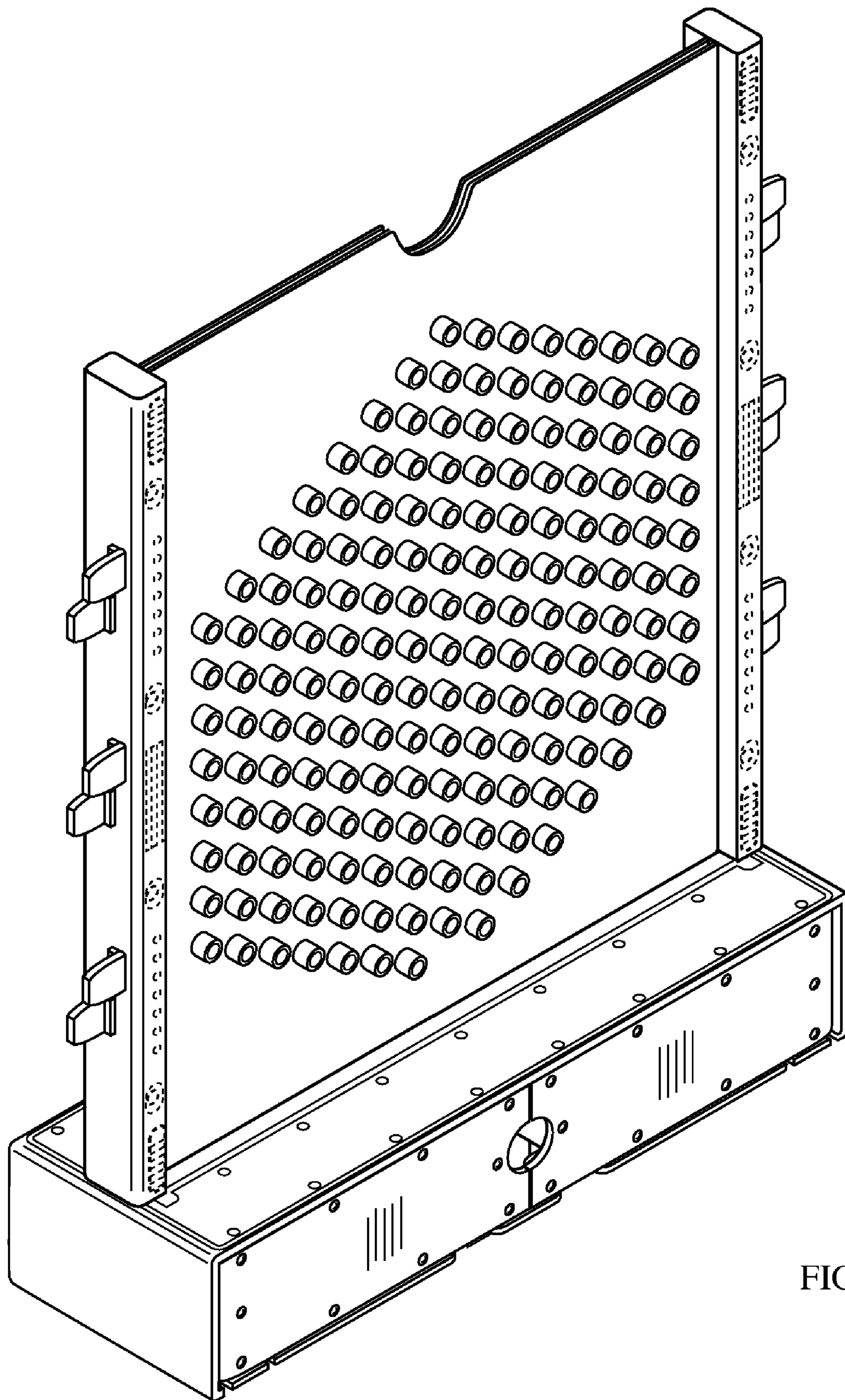


FIG. 8