



US00D605706S

(12) **United States Design Patent**
DeOreo et al.

(10) **Patent No.:** **US D605,706 S**
(45) **Date of Patent:** **** Dec. 8, 2009**

- (54) **PORTABLE GAME ASSEMBLY**
- (75) Inventors: **Daniel J DeOreo**, Manchester, MA (US); **Richard T Burnham**, Gloucester, MA (US)
- (73) Assignee: **Hasbro, Inc.**, Pawtucket, RI (US)
- (**) Term: **14 Years**
- (21) Appl. No.: **29/340,397**
- (22) Filed: **Jul. 17, 2009**

- D467,980 S 12/2002 Creech
- D499,772 S 12/2004 Creech
- D500,095 S 12/2004 Creech
- D535,703 S 1/2007 Creech
- D536,039 S 1/2007 Creech
- D546,398 S 7/2007 Foster

Primary Examiner—Sandra Morris
(74) *Attorney, Agent, or Firm*—Perry Hoffman

(57) **CLAIM**

The ornamental design for a portable game assembly, as shown and described.

Related U.S. Application Data

- (62) Division of application No. 29/303,313, filed on Feb. 6, 2008, now Pat. No. Des. 601,204.
 - (51) **LOC (9) Cl.** **21-01**
 - (52) **U.S. Cl.** **D21/335; D21/337; D21/342**
 - (58) **Field of Classification Search** **D21/334–368; 273/236–288**
- See application file for complete search history.

DESCRIPTION

FIG. 1 is a perspective view of the portable game assembly of the instant invention in a closed position;

FIG. 2 is a perspective view thereof in an open position;

FIG. 3 is a top plan view thereof in the open position;

FIG. 4 is a bottom plan view thereof in the open position;

FIG. 5 is a front side elevational view thereof in the open position;

FIG. 6 is a rear side elevational view thereof in the open position;

FIG. 7 is a right elevational view thereof in the open position; and,

FIG. 8 is a left elevational view thereof in the open position.

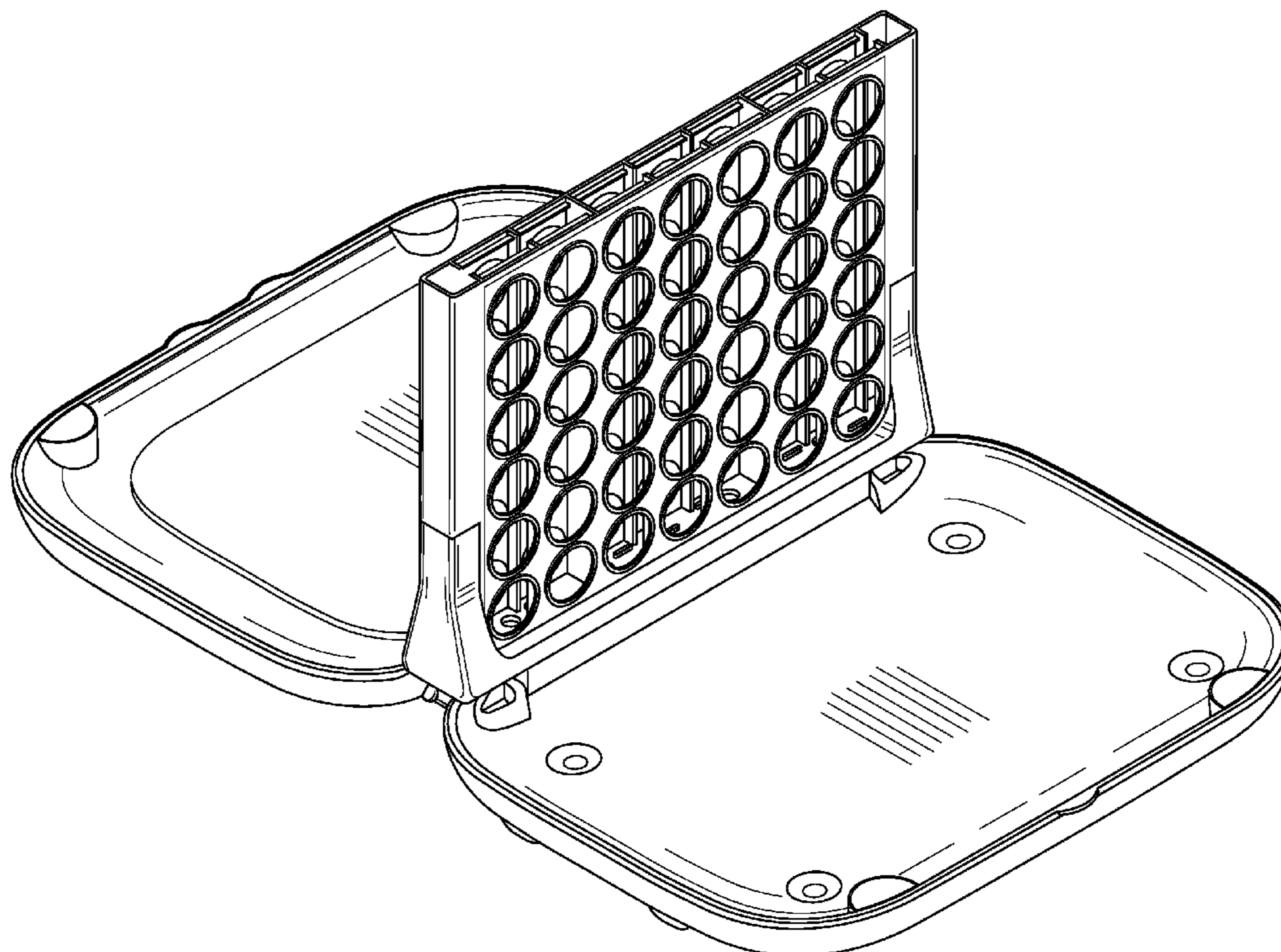
The broken lines and indicia shown in the drawings are for illustrative purposes only and form no part of the claimed design.

(56) **References Cited**

U.S. PATENT DOCUMENTS

- 2,053,598 A 5/1936 Blau
- 4,032,152 A 6/1977 Schiffman
- 4,136,871 A 1/1979 Meyers et al.
- 4,194,742 A 3/1980 Adams
- 4,280,704 A 7/1981 Massimei et al.
- 4,415,161 A 11/1983 Westell
- 4,801,148 A 1/1989 Lamb
- 5,154,428 A 10/1992 Woolhouse

1 Claim, 7 Drawing Sheets



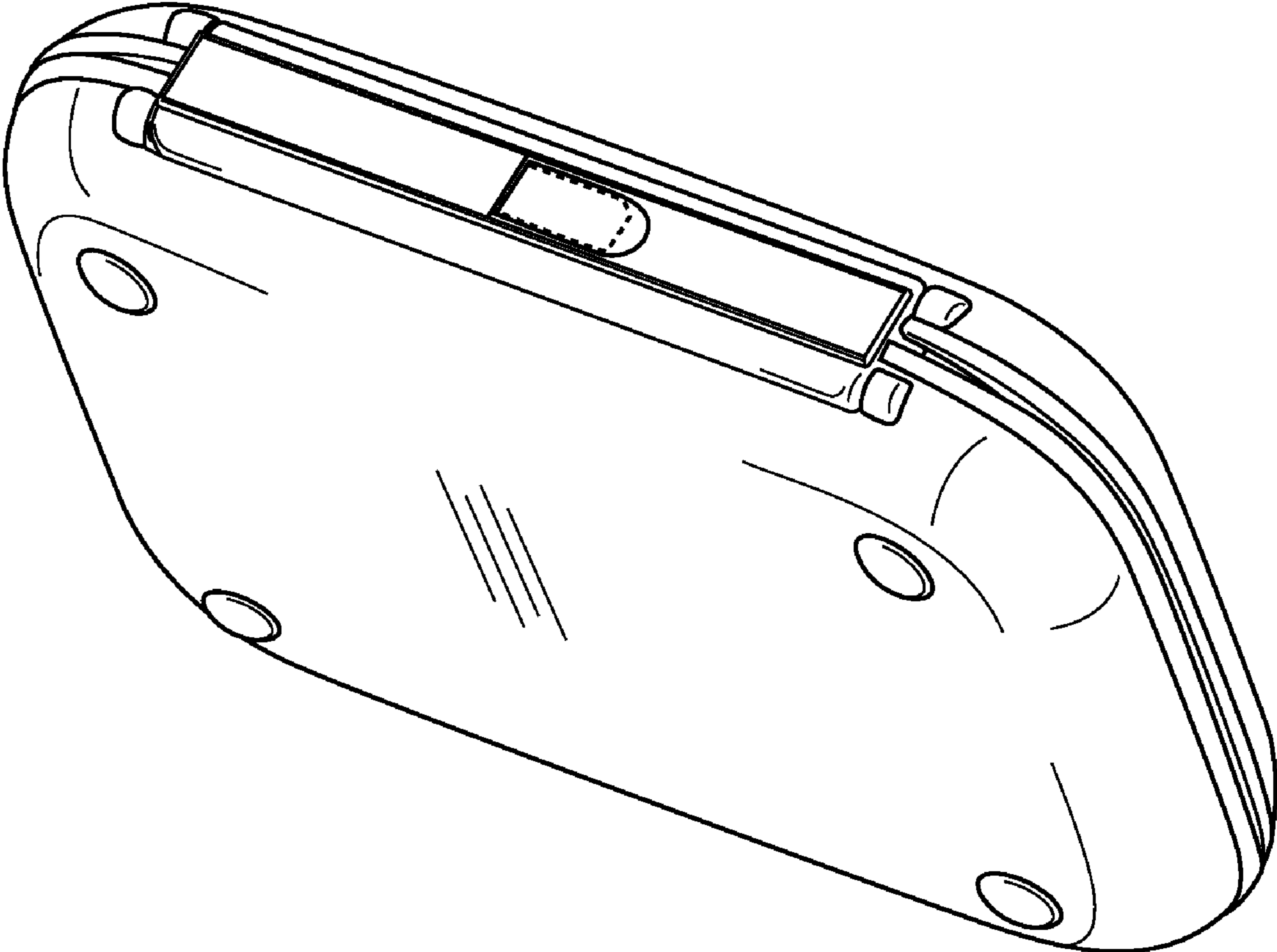


FIG. 1

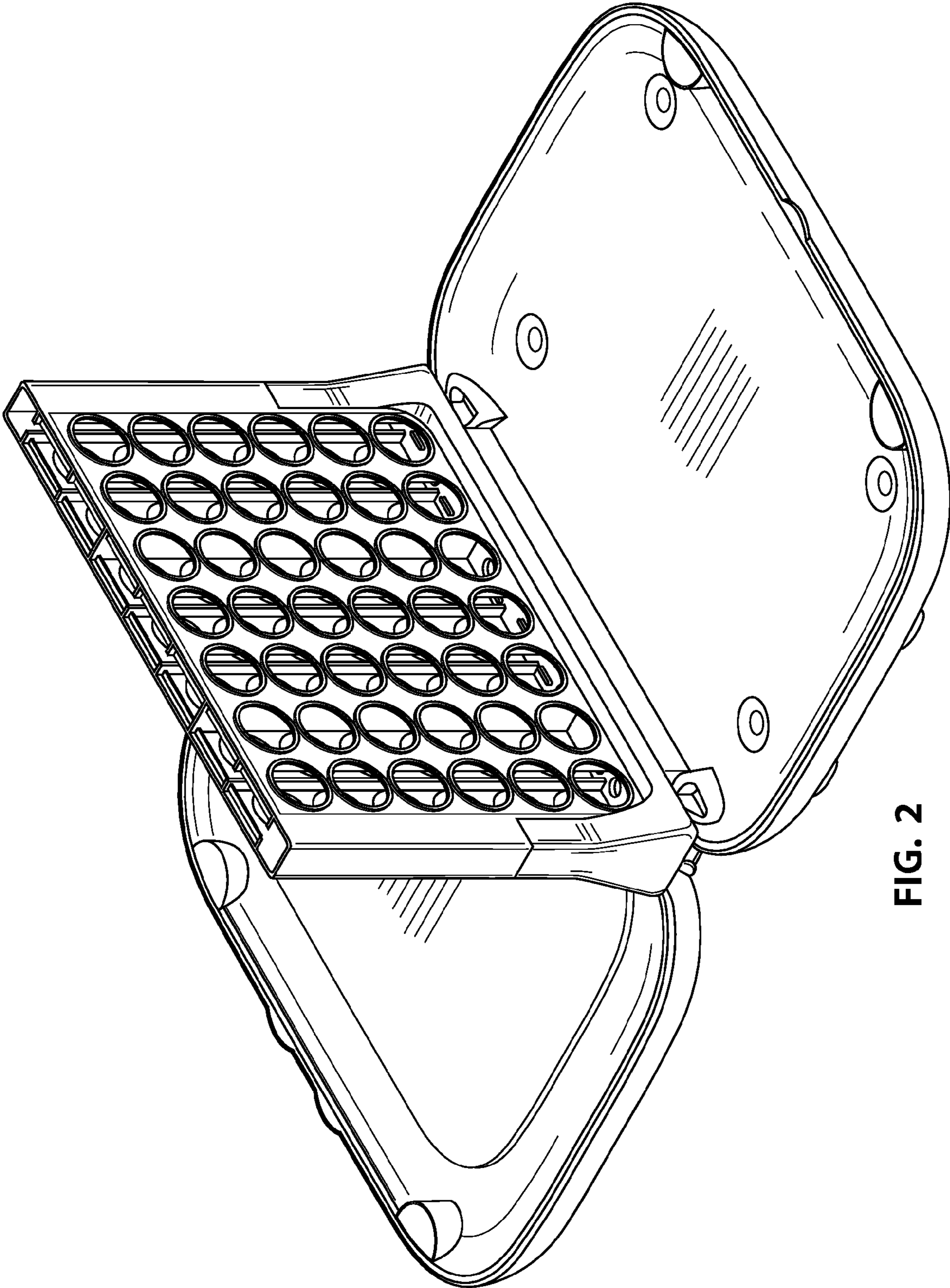


FIG. 2

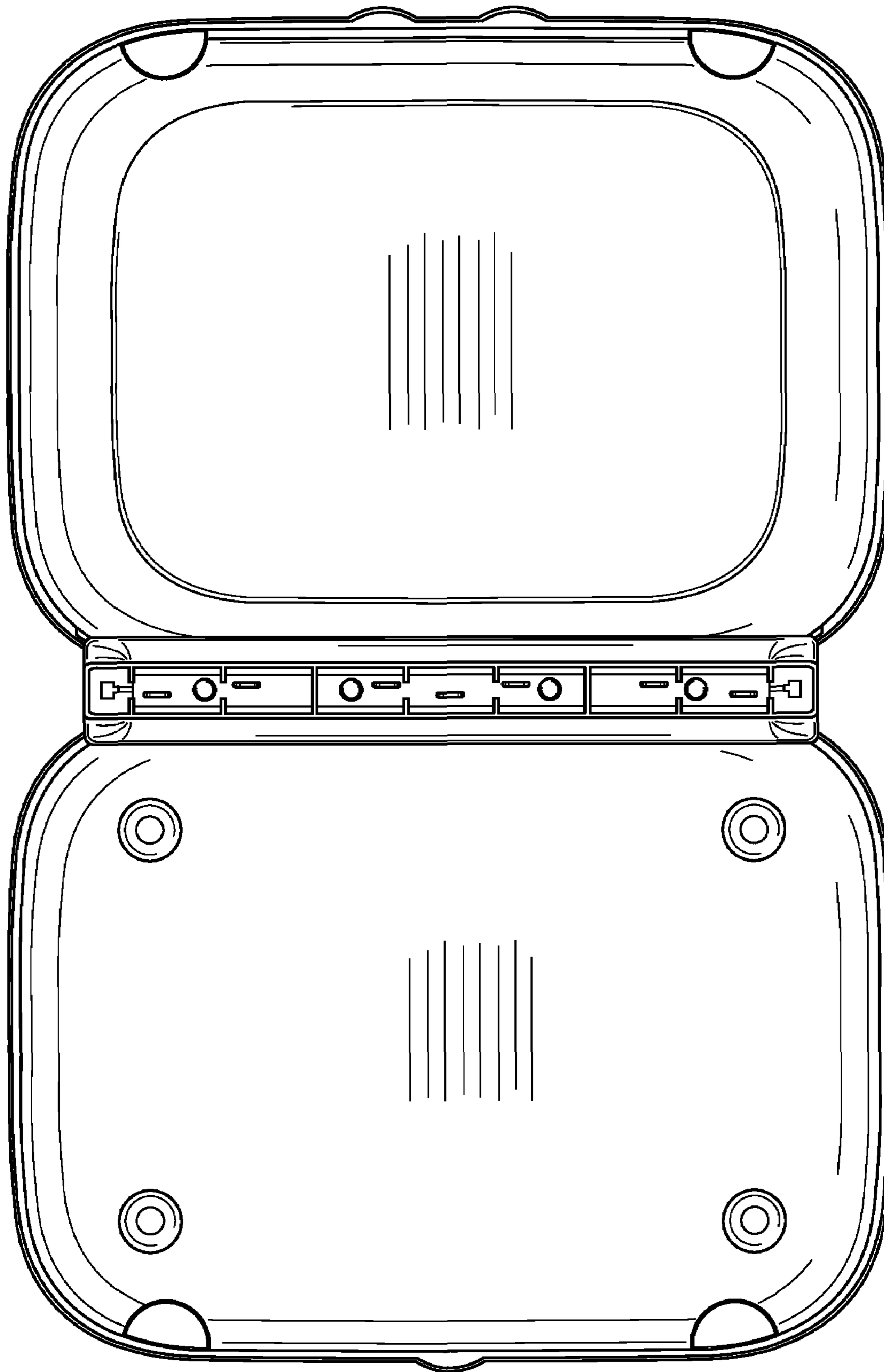


FIG. 3

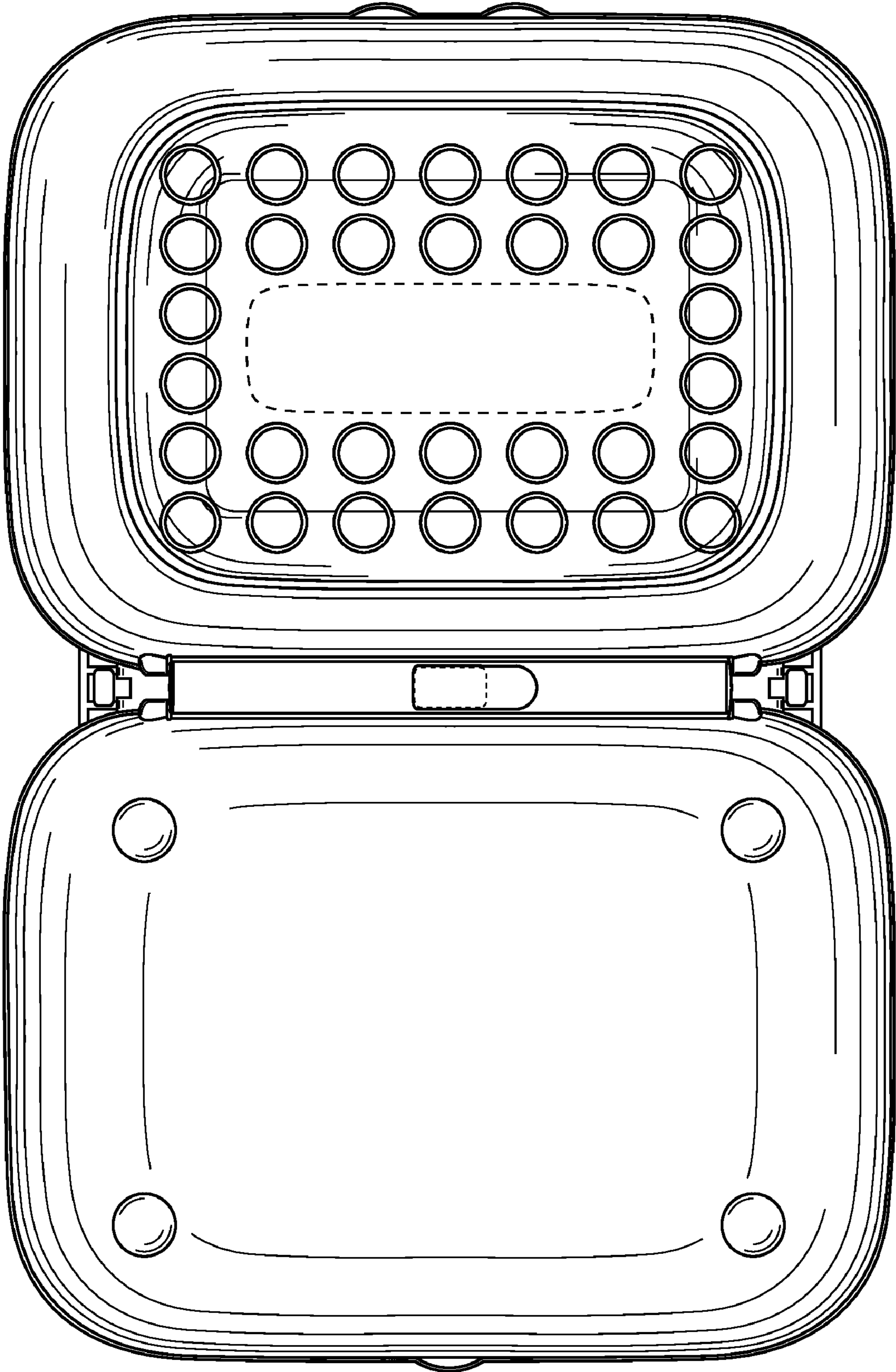


FIG. 4

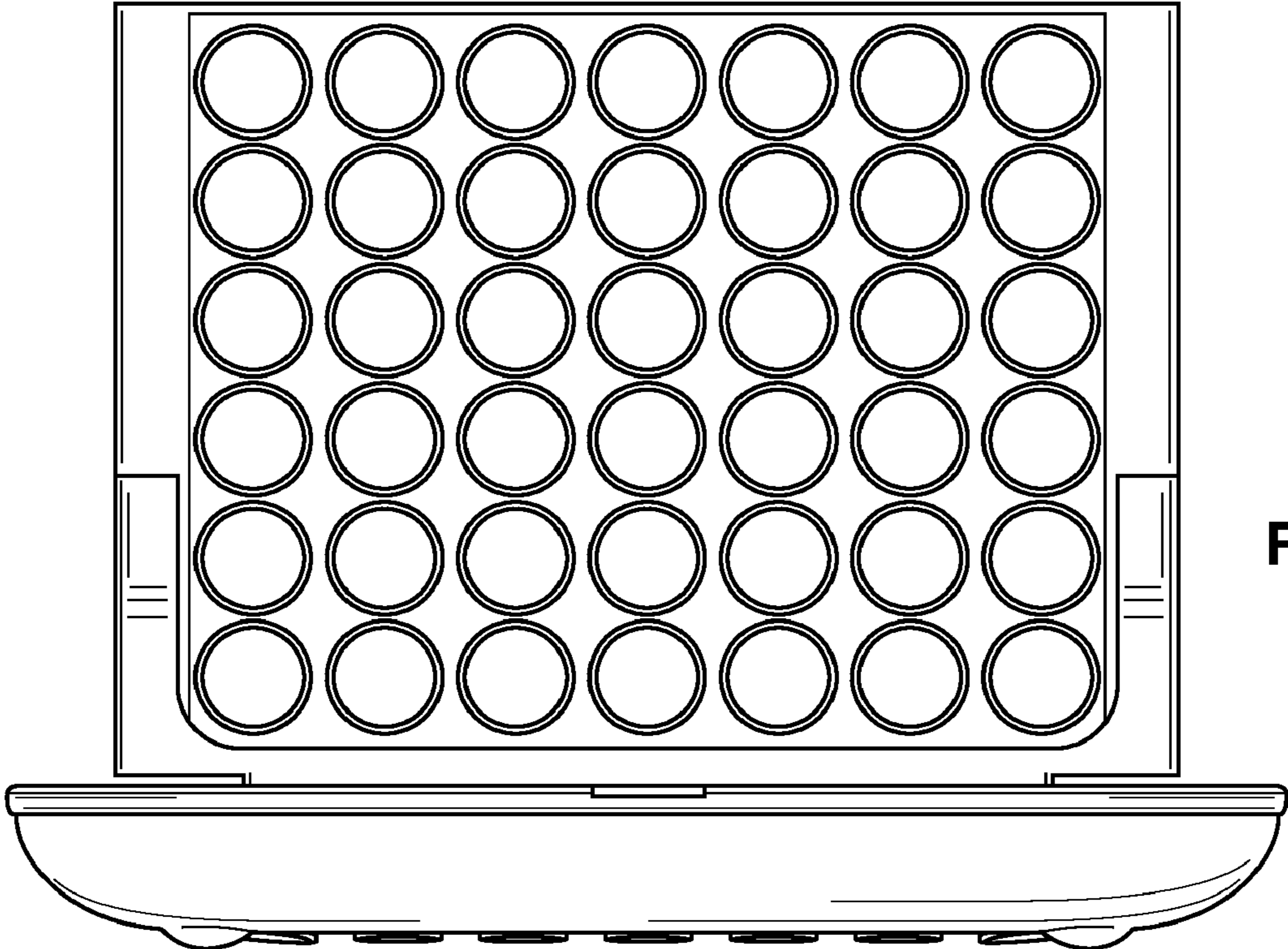


FIG. 5

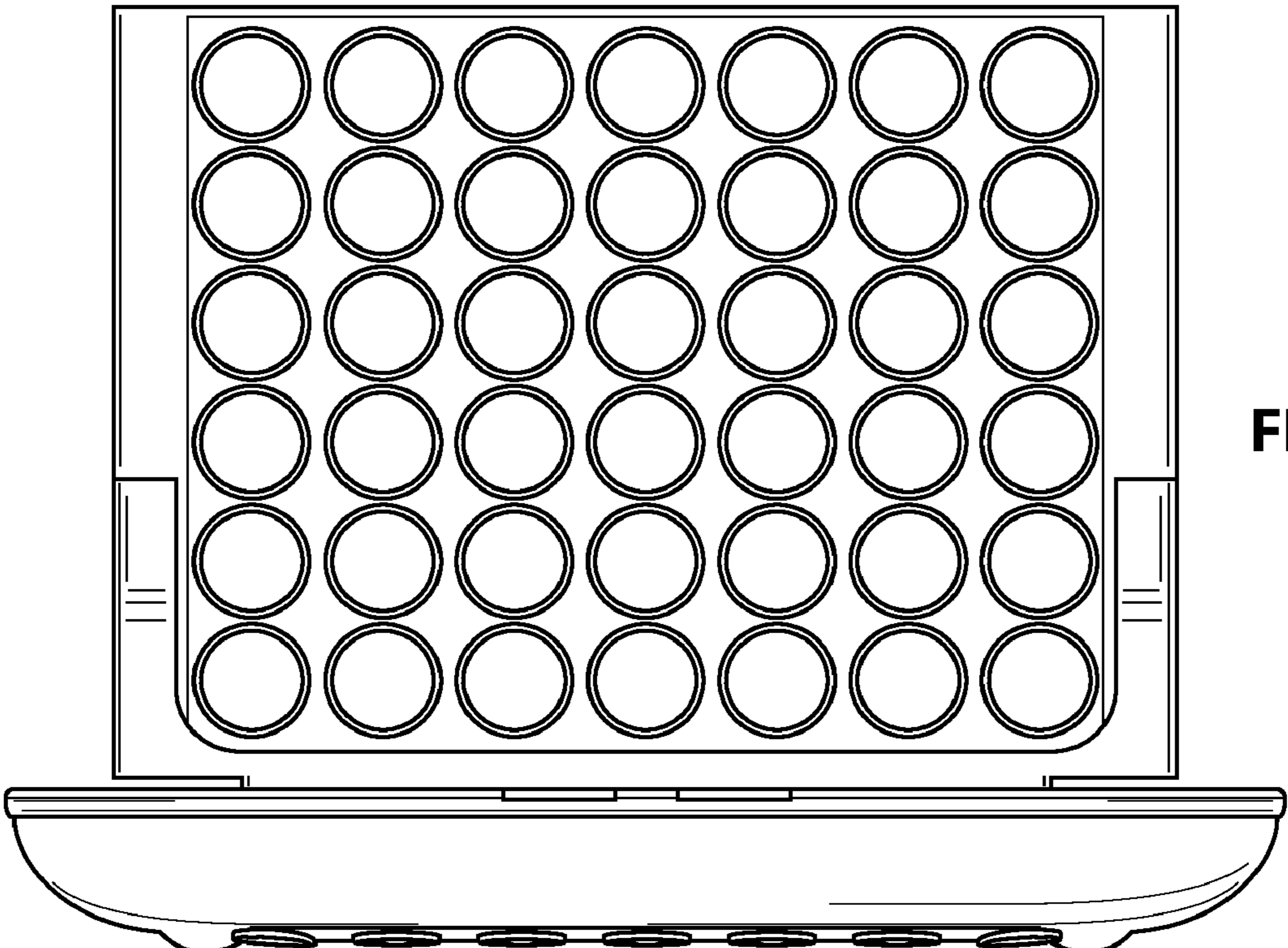


FIG. 6

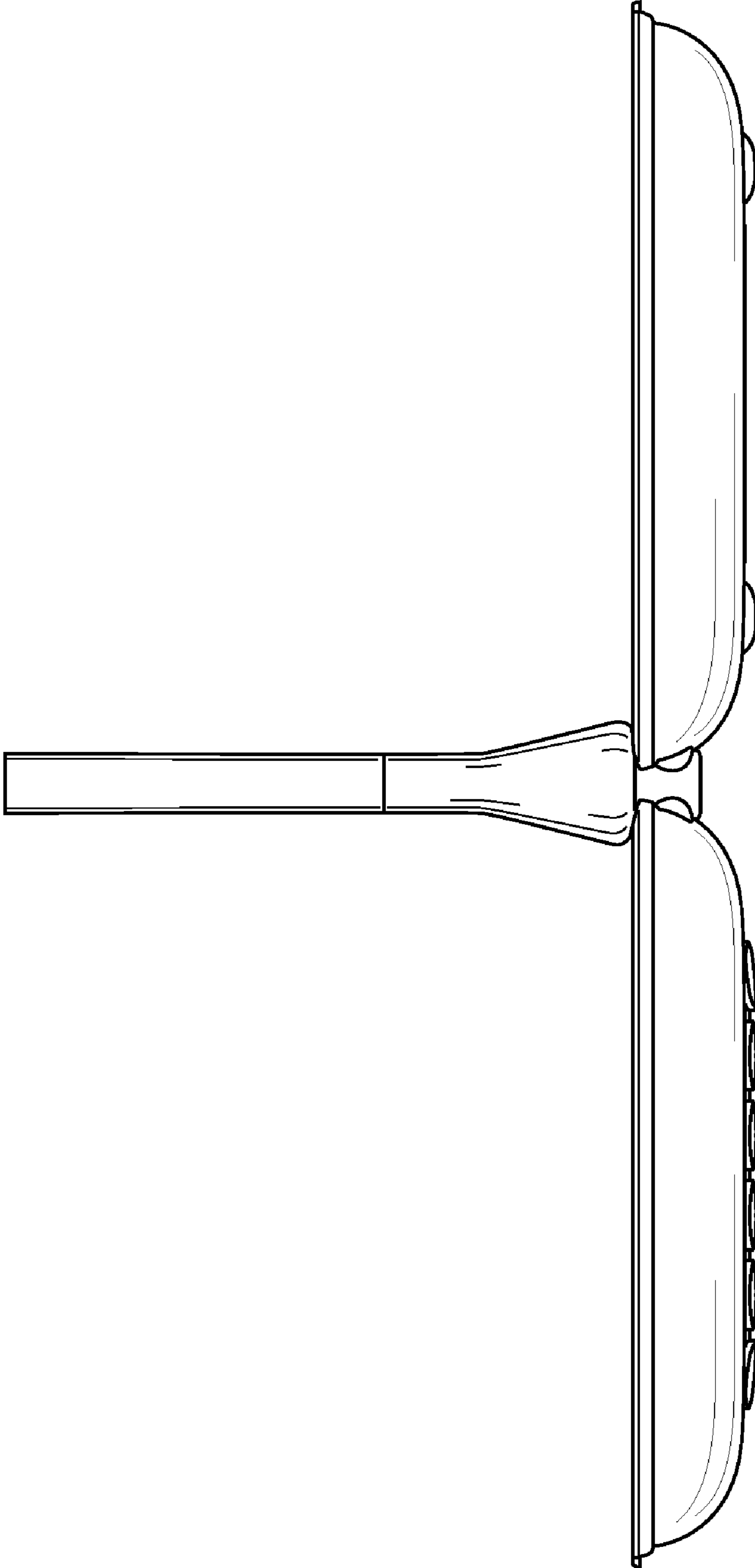


FIG. 7

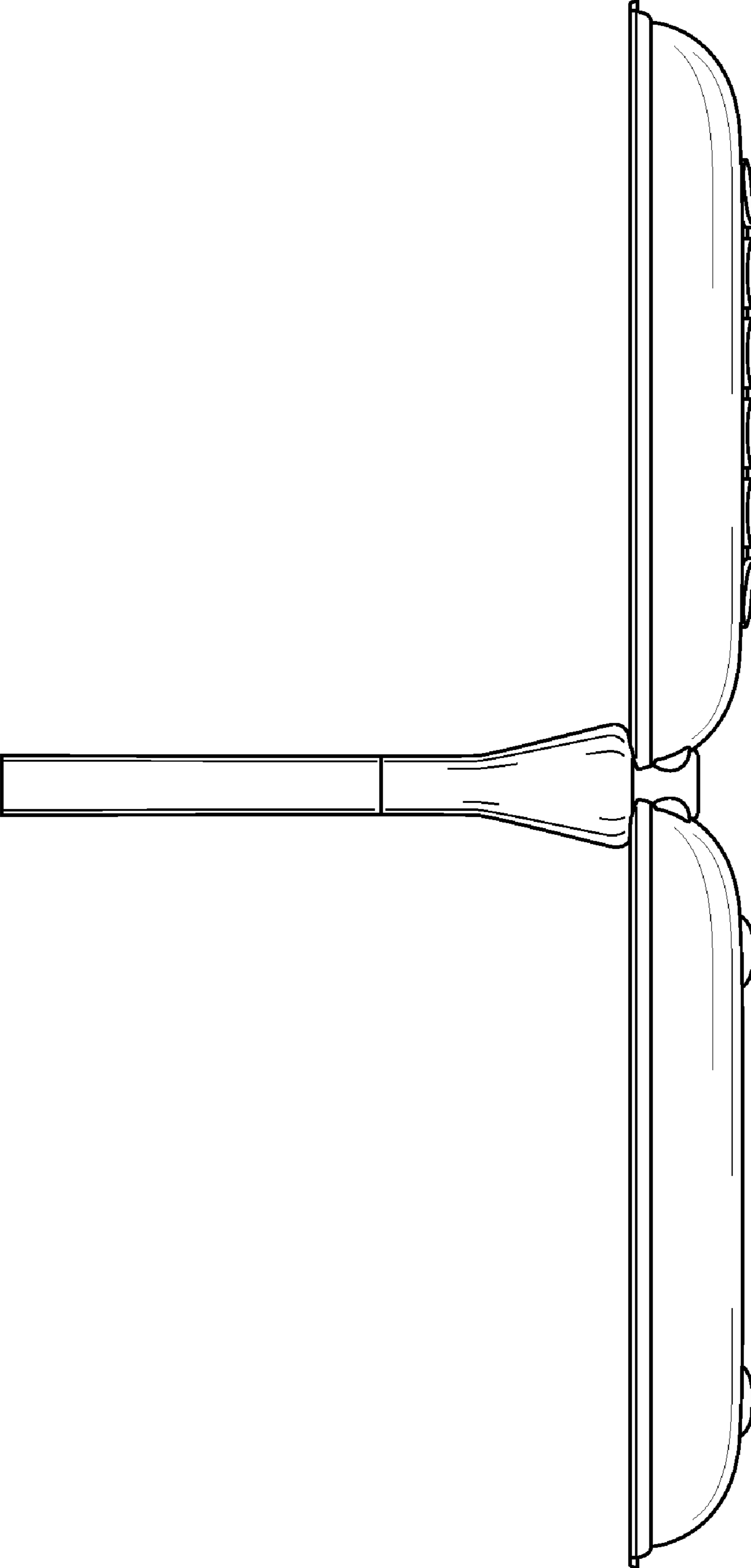


FIG. 8