



US00D605704S

(12) **United States Design Patent**  
**Elsea**

(10) **Patent No.:** **US D605,704 S**

(45) **Date of Patent:** **\*\* Dec. 8, 2009**

(54) **COMBINED SIGN AND HOOK**

2003/0141984 A1\* 7/2003 Sarek et al. .... 340/815.4  
2005/0097801 A1\* 5/2005 Kang et al. .... 40/661

(76) Inventor: **Amanda Elsea**, 12095 Wiseman Rd.,  
Hiwasse, AR (US) 72739

\* cited by examiner

(\*\*) Term: **14 Years**

*Primary Examiner*—Janice E Seeger

*Assistant Examiner*—Mary Ann Calabrese

(21) Appl. No.: **29/314,923**

(74) *Attorney, Agent, or Firm*—Keisling Pieper & Scott PLC;  
Meredith K. Lowry

(22) Filed: **May 8, 2009**

(57) **CLAIM**

(51) **LOC (9) Cl.** ..... **20-03**

(52) **U.S. Cl.** ..... **D20/19; D20/40; D20/42**

(58) **Field of Classification Search** ..... D20/10,

D20/17, 19, 22, 28, 29, 40-41, 99; 40/124.01,

40/299.01, 360, 538-542, 584, 607.13, 611.01,

40/617, 618, 624, 634, 647, 655, 657, 658,

40/661, 661.06, 663, 664; D3/207, 208;

D10/104, 109; D8/367, 370, 371; D11/221;

206/756; 340/815.4; 362/812

See application file for complete search history.

The ornamental design for a combined sign and hook, as shown and described.

**DESCRIPTION**

FIG. 1 is a perspective view of a sign and hook showing my new design;

FIG. 2 is a right side elevational view thereof;

FIG. 3 is a rear elevational view thereof;

FIG. 4 is a left side elevational view thereof;

FIG. 5 is a front elevational view thereof;

FIG. 6 is a top plan view thereof; and,

FIG. 7 is a bottom plan view thereof.

Additional items on the hook are shown in broken lines for illustrative purposes only and form no part of the claimed design.

(56) **References Cited**

U.S. PATENT DOCUMENTS

344,488 A \* 6/1886 McKenzie ..... 40/664

1,297,405 A \* 3/1919 Saunders ..... 40/663

D178,862 S \* 10/1956 Blod ..... D8/367

4,911,287 A \* 3/1990 Speers ..... 206/756

D319,804 S \* 9/1991 Johnson et al. .... D11/221

6,098,327 A \* 8/2000 Gallant ..... 40/634

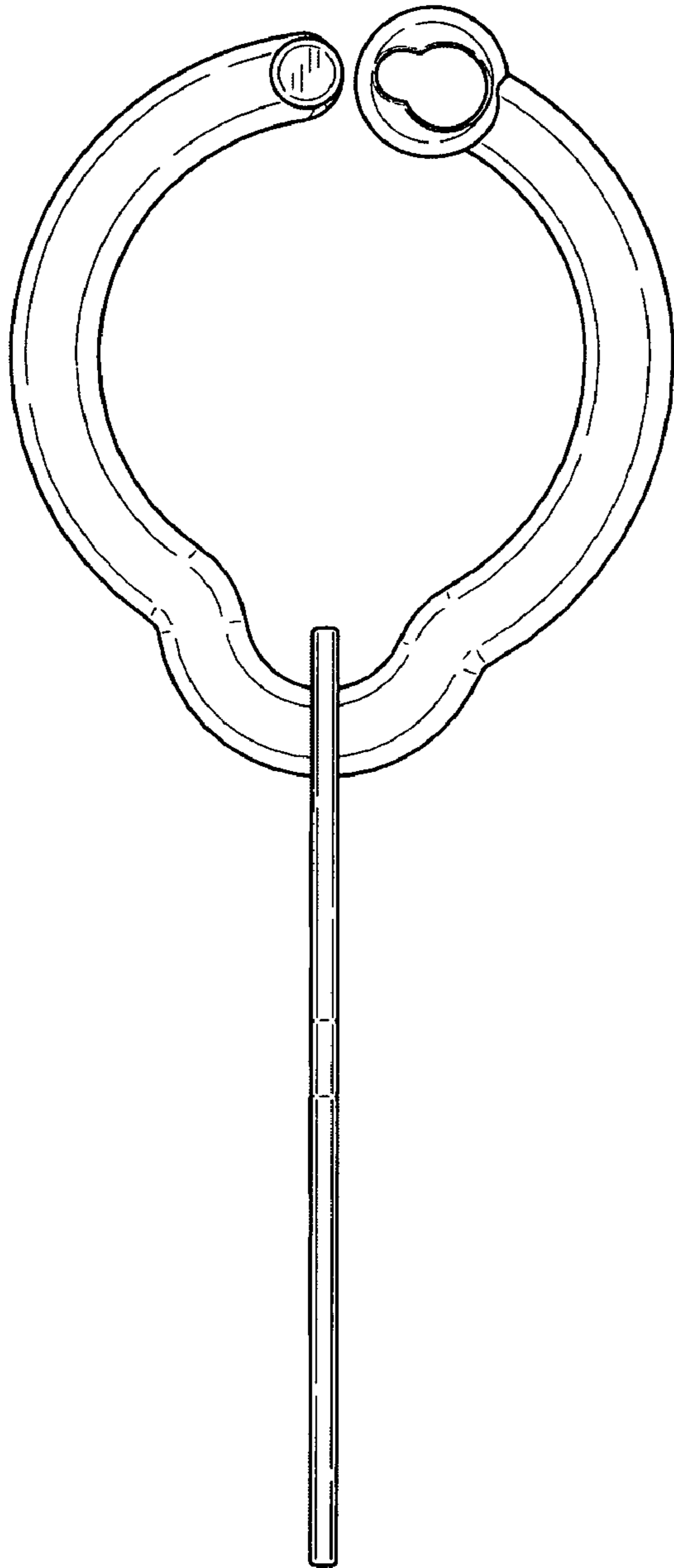
D548,061 S \* 8/2007 Hu ..... D8/370

**1 Claim, 4 Drawing Sheets**

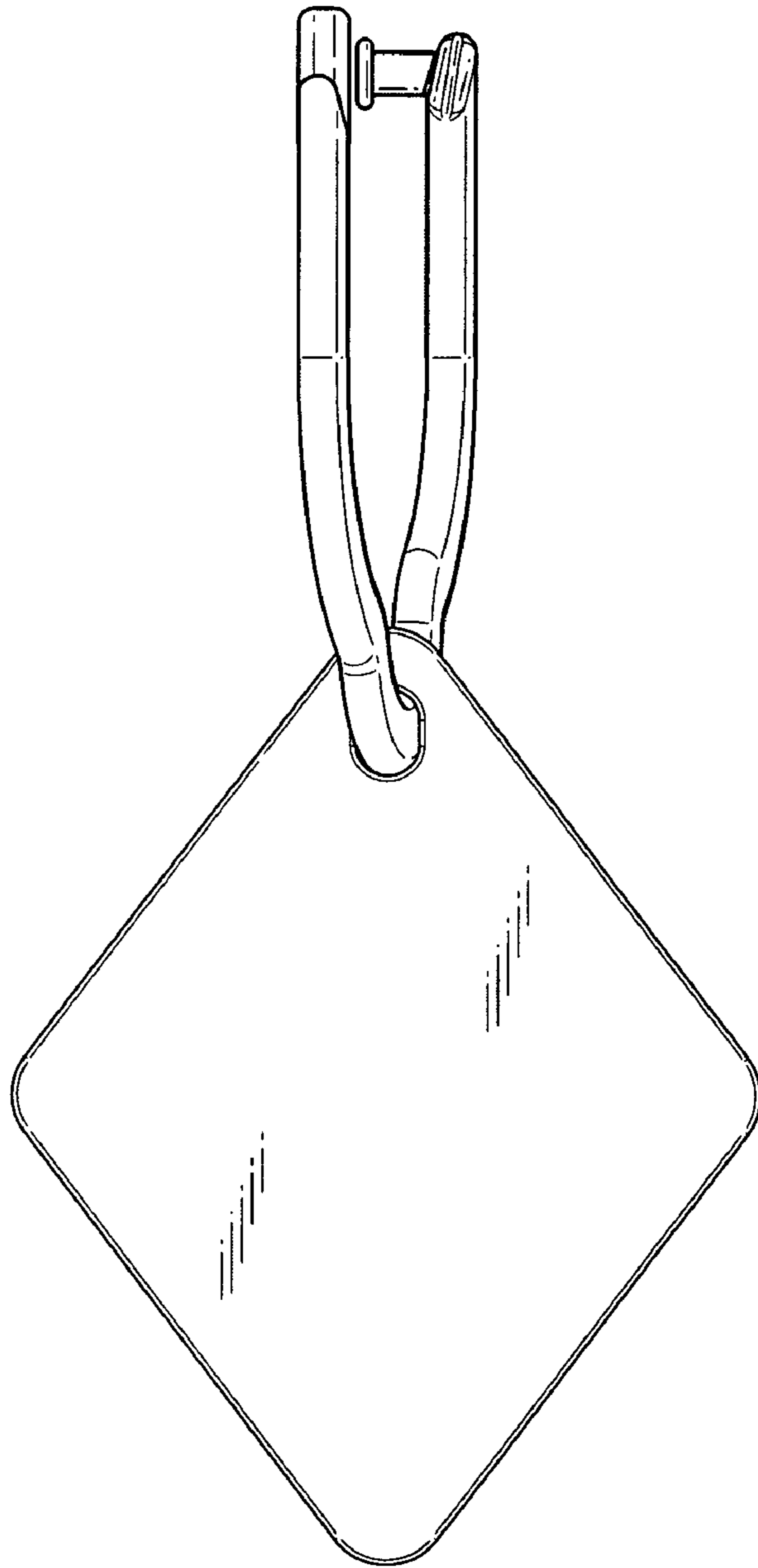




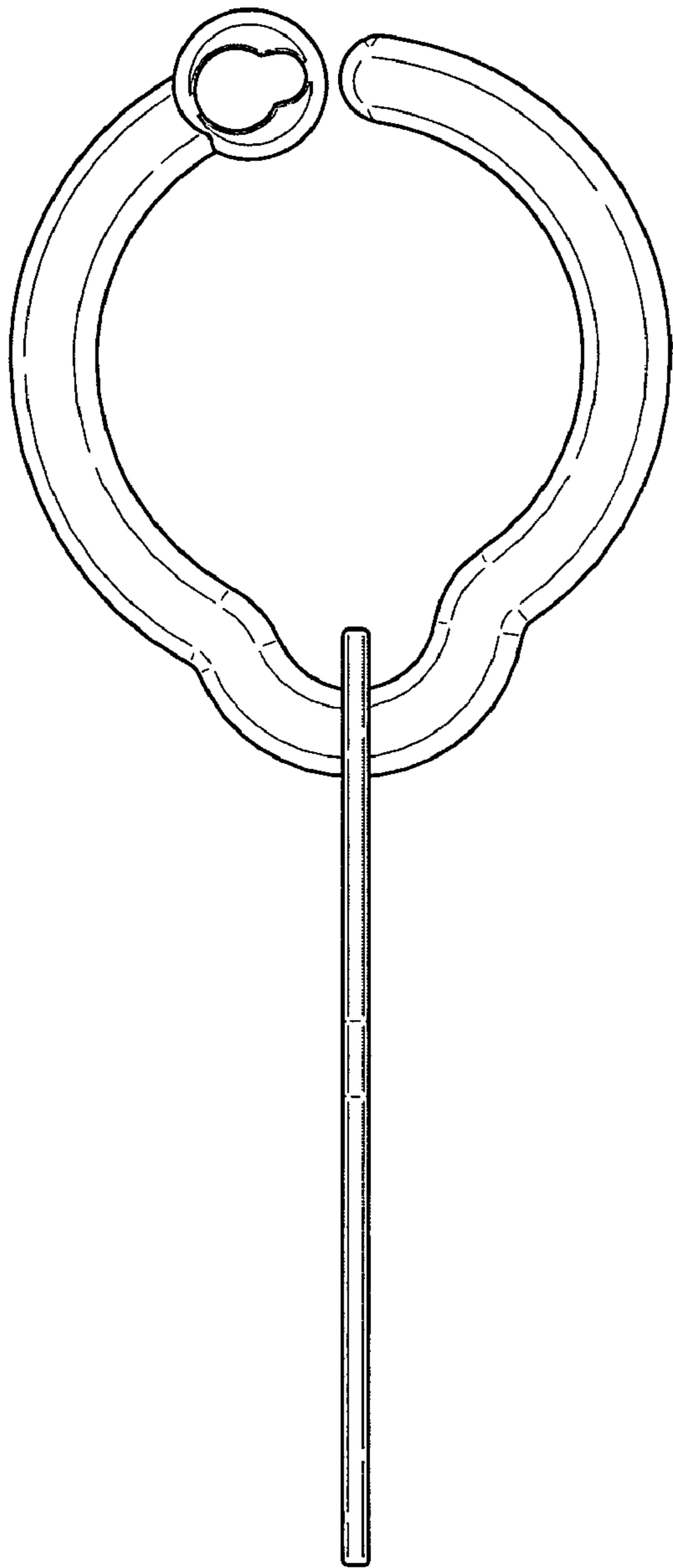
***FIG. 1***



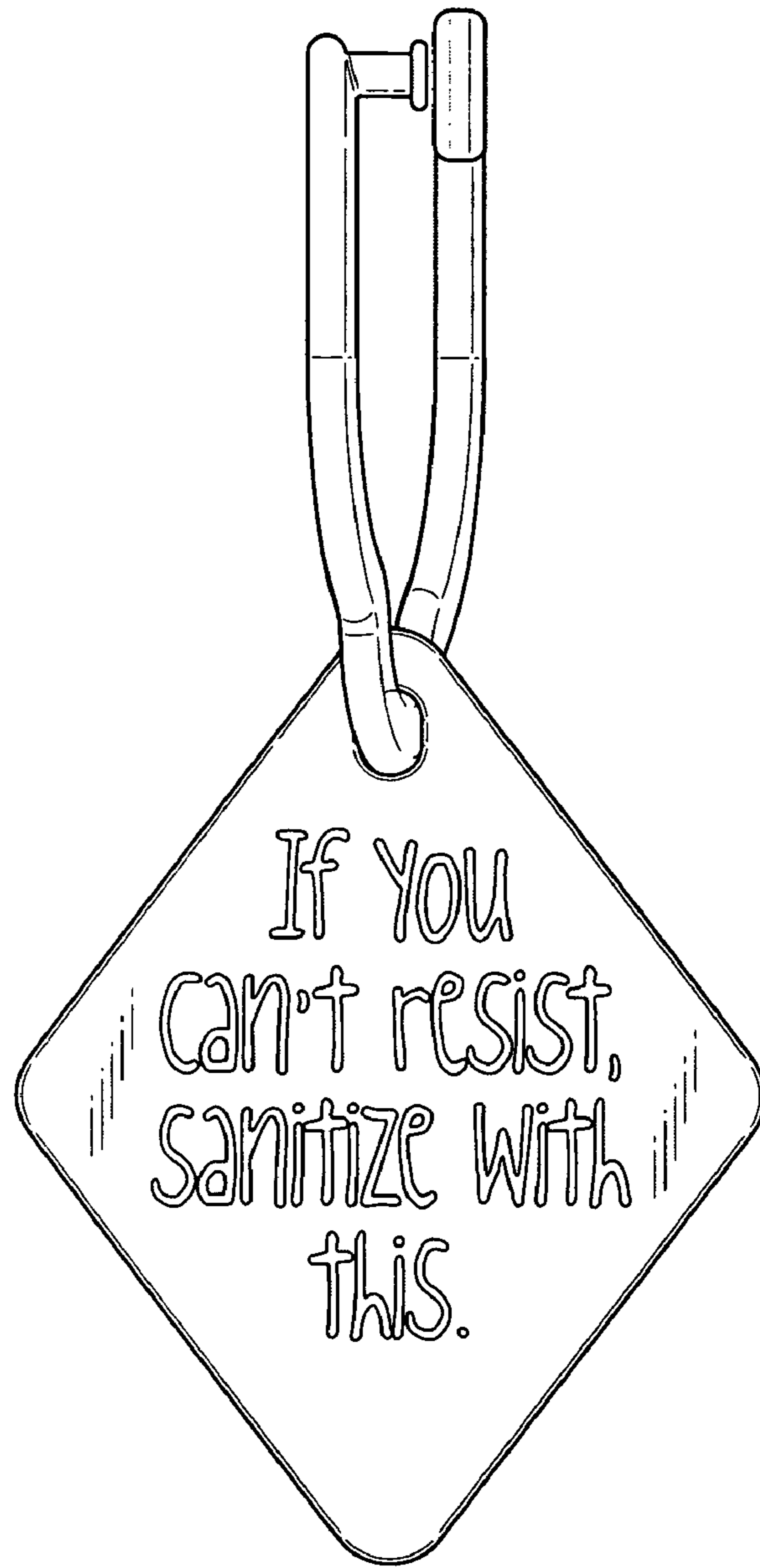
*FIG. 2*



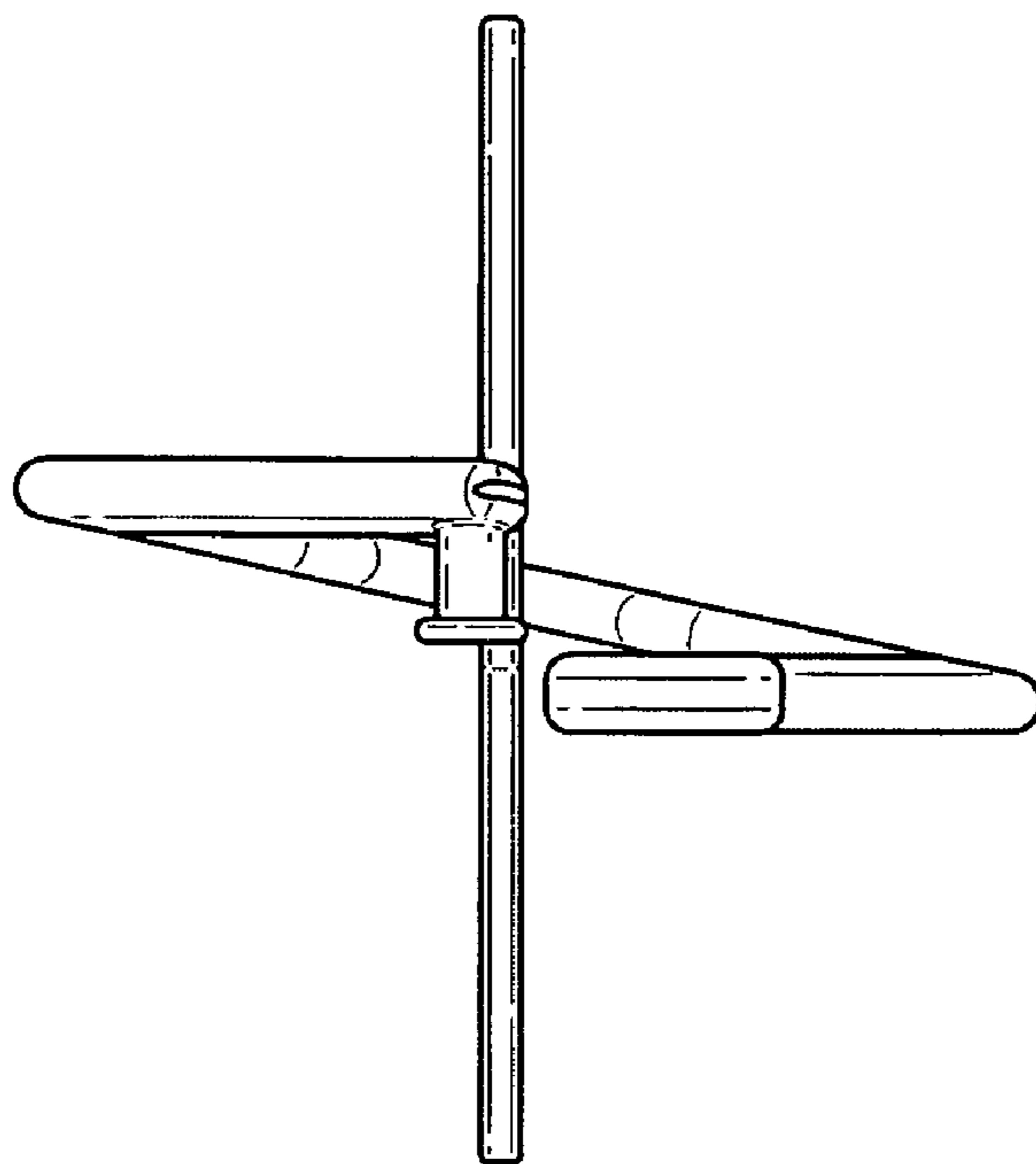
*FIG. 3*



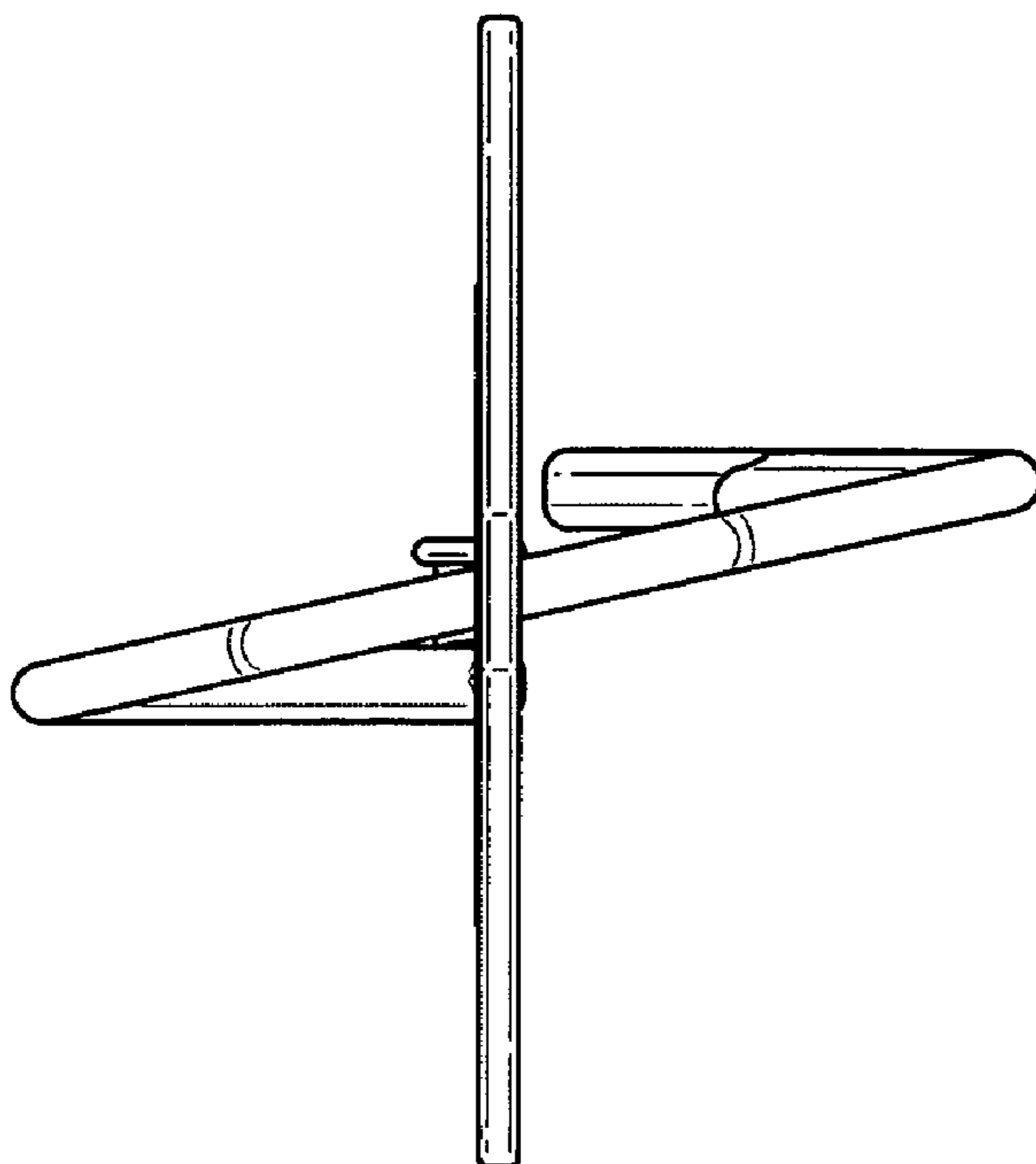
**FIG. 4**



**FIG. 5**



*FIG. 6*



*FIG. 7*