



(12) **United States Design Patent**
Chen et al.

(10) **Patent No.:** **US D605,703 S**
(45) **Date of Patent:** **** Dec. 8, 2009**

(54) **CLIPBOARD**

(75) Inventors: **Peter Chen**, West Windsor, NJ (US);
Jungkun Lee, Edison, NJ (US)

(73) Assignee: **Officemate International Corp.**,
Edison, NJ (US)

(**) Term: **14 Years**

(21) Appl. No.: **29/315,846**

(22) Filed: **Jul. 29, 2009**

(51) **LOC (9) Cl.** **19-02**

(52) **U.S. Cl.** **D19/88**

(58) **Field of Classification Search** D3/294,
D3/900; D8/395; D19/52, 88; 206/215,
206/224, 371, 472; 220/812; 281/45; 312/231;
362/99

See application file for complete search history.

(56) **References Cited**

U.S. PATENT DOCUMENTS

2,068,813	A *	1/1937	Morey	362/156
D225,906	S *	1/1973	Cline	D19/65
D228,528	S *	10/1973	Smith, Jr.	D19/88
D260,202	S *	8/1981	Middleton, Jr.	D3/269
D260,305	S *	8/1981	MacGregor et al.	D6/308
D261,903	S *	11/1981	Mulder	D19/88
D277,418	S *	1/1985	Hemrich et al.	D28/38
D310,576	S *	9/1990	Narbut et al.	D26/58
D312,278	S *	11/1990	Moor	D19/27
D321,865	S *	11/1991	Derocher	D14/345
D324,399	S *	3/1992	Murphy	D19/88
D346,366	S *	4/1994	Kim et al.	D14/342
D366,280	S *	1/1996	Henderson	D19/52
5,758,902	A *	6/1998	McManus	281/45
D408,452	S *	4/1999	Coe	D19/65
5,893,132	A *	4/1999	Huffman et al.	715/201
5,918,395	A *	7/1999	Hesmer	40/518
D459,397	S *	6/2002	Zeller et al.	D19/88
D478,628	S *	8/2003	Sheldon et al.	D19/65
D488,057	S *	4/2004	Rosado	D8/395
D490,809	S *	6/2004	Wu et al.	D14/371
D497,186	S *	10/2004	Cetera	D19/88
D542,529	S *	5/2007	Peart et al.	D3/276

D548,969	S *	8/2007	Bramley	D3/294
D558,977	S *	1/2008	Peart et al.	D3/294
D575,347	S *	8/2008	Fedon	D19/88
D578,381	S *	10/2008	Wolff	D8/395
D594,509	S *	6/2009	Chan	D19/91
2002/0030989	A1 *	3/2002	Stephen	362/98
2006/0208477	A1 *	9/2006	Sandy	281/45

OTHER PUBLICATIONS

Saunders Recycled Aluminum Cruiser-Mate Storage Clipboard, item 21017, amazon.com, first available on amazon.com Aug. 7, 2008, 5 pages Sep. 14, 2009.*

* cited by examiner

Primary Examiner—Elizabeth A Albert

(74) *Attorney, Agent, or Firm*—Daniel Kirshner

(57) **CLAIM**

The ornamental design for a clipboard, as shown and described.

DESCRIPTION

FIG. 1 is a front perspective view of a clipboard showing the new design;

FIG. 2 is a front perspective view thereof;

FIG. 3 is a top view thereof;

FIG. 4 is bottom view thereof;

FIG. 5 is a right side view thereof;

FIG. 6 is a left side thereof;

FIG. 7 is a front view thereof;

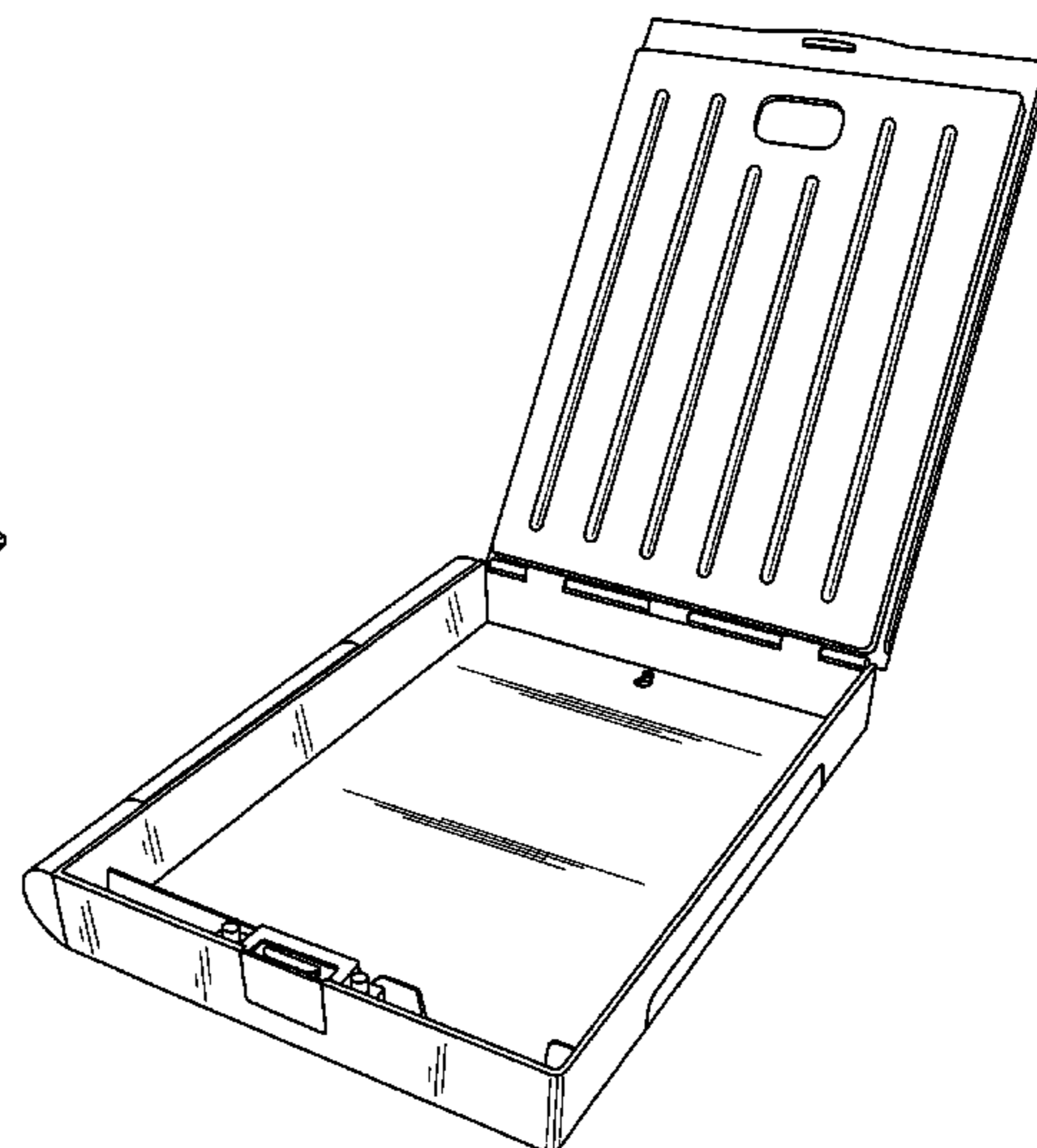
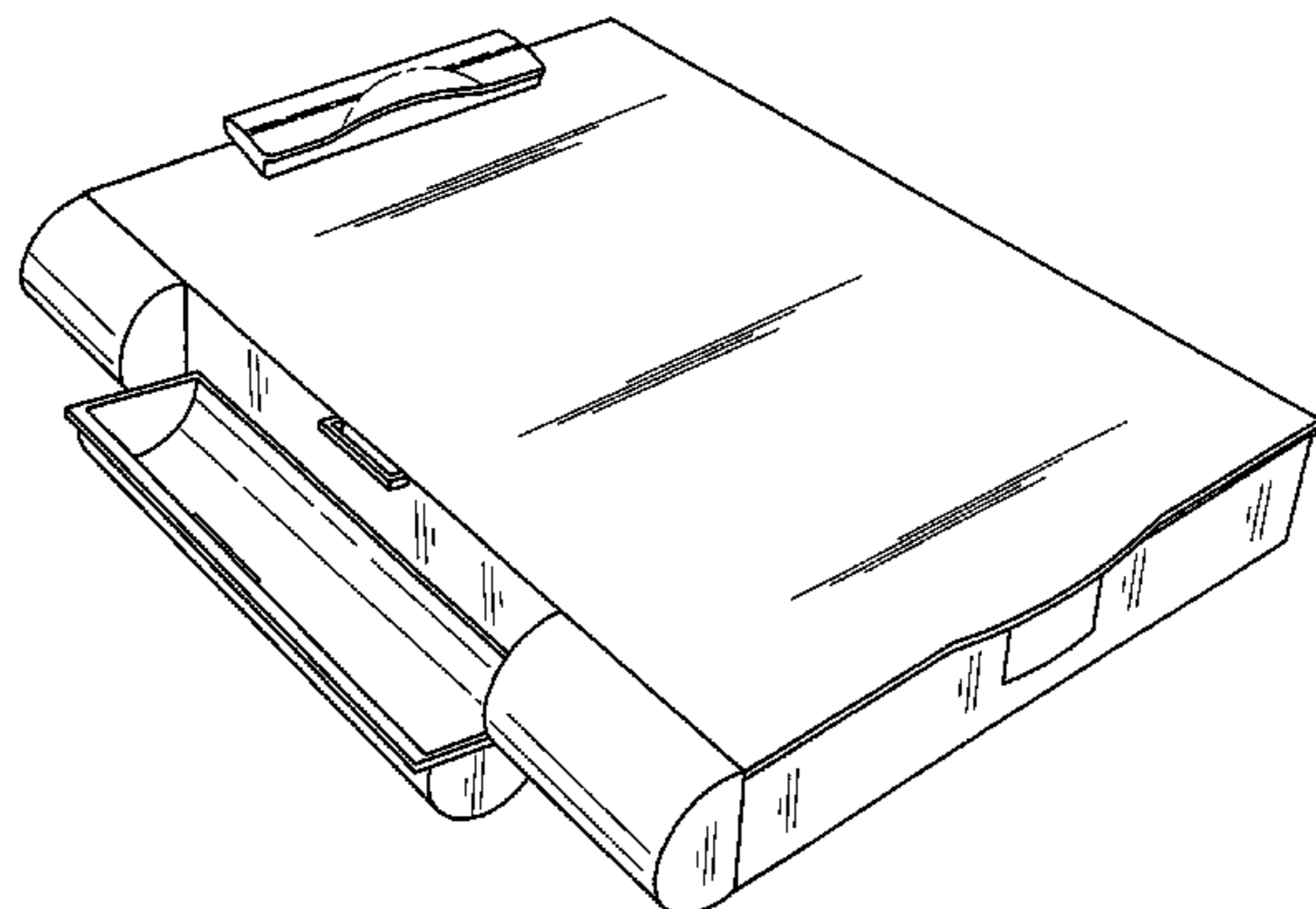
FIG. 8 is a rear view;

FIG. 9 is a front perspective view thereof showing its side compartment open;

FIG. 10 is a front perspective view thereof showing its lid open; and,

FIG. 11 is a front perspective view thereof showing its lid open.

1 Claim, 11 Drawing Sheets



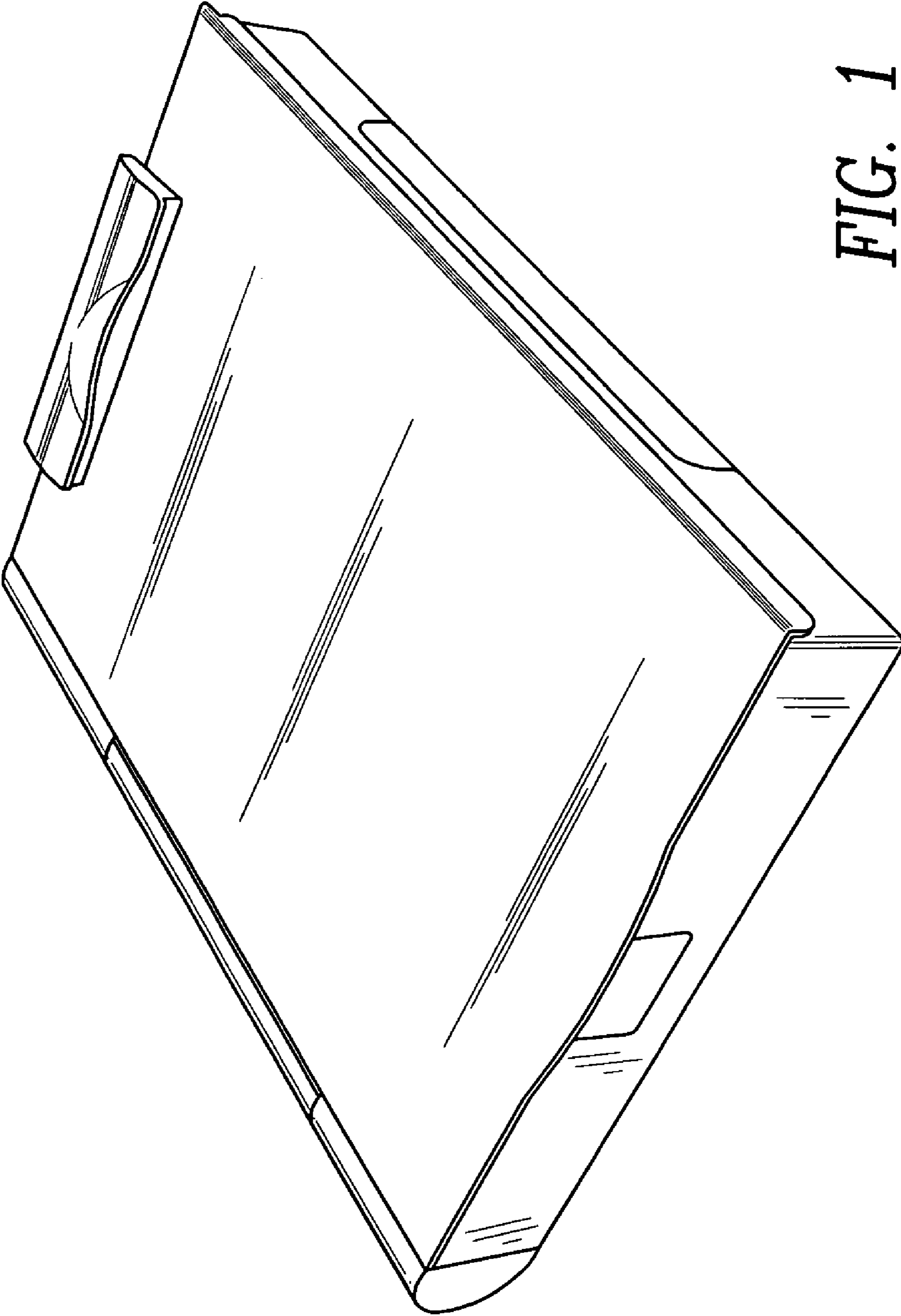


FIG. 1

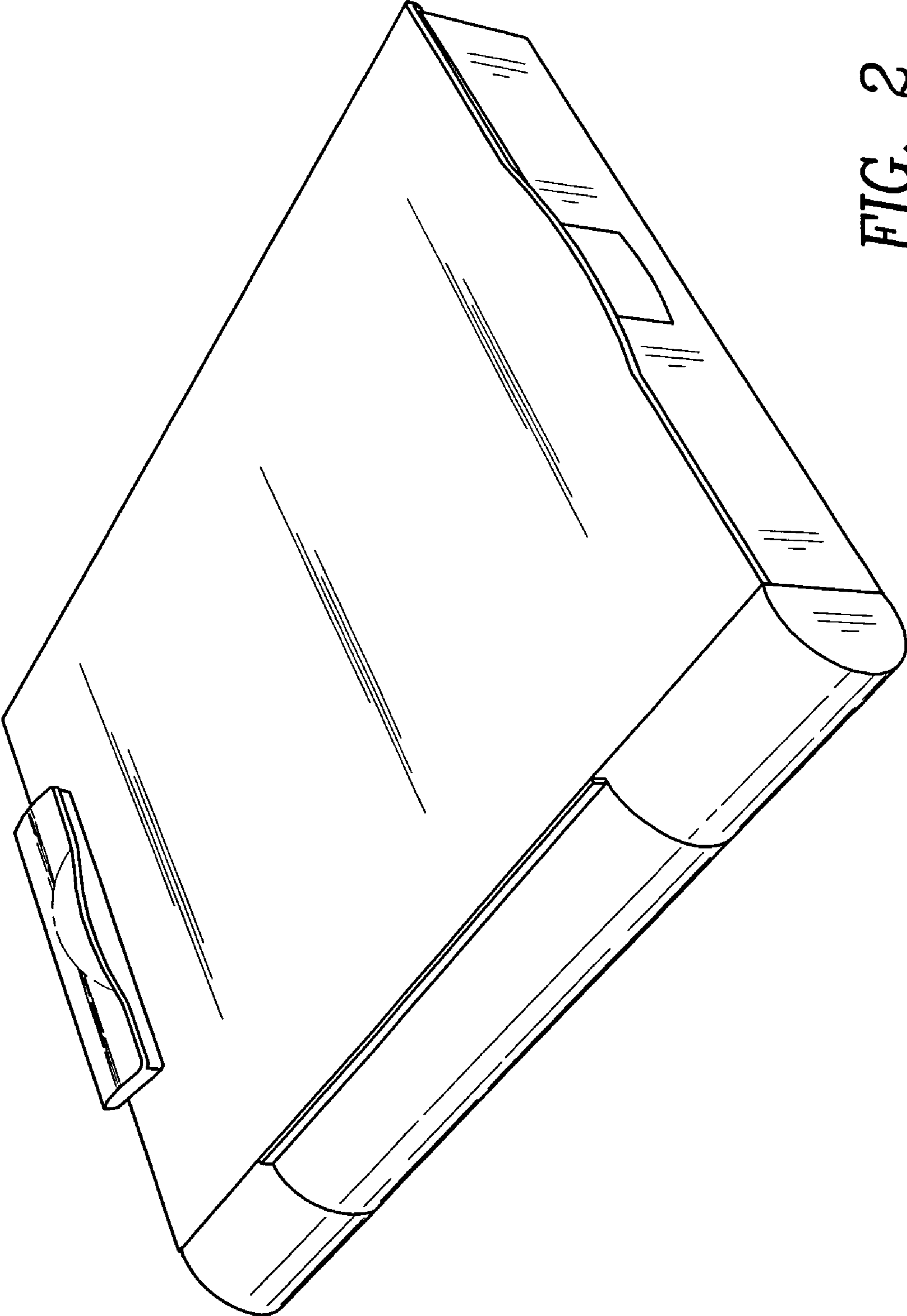


FIG. 2

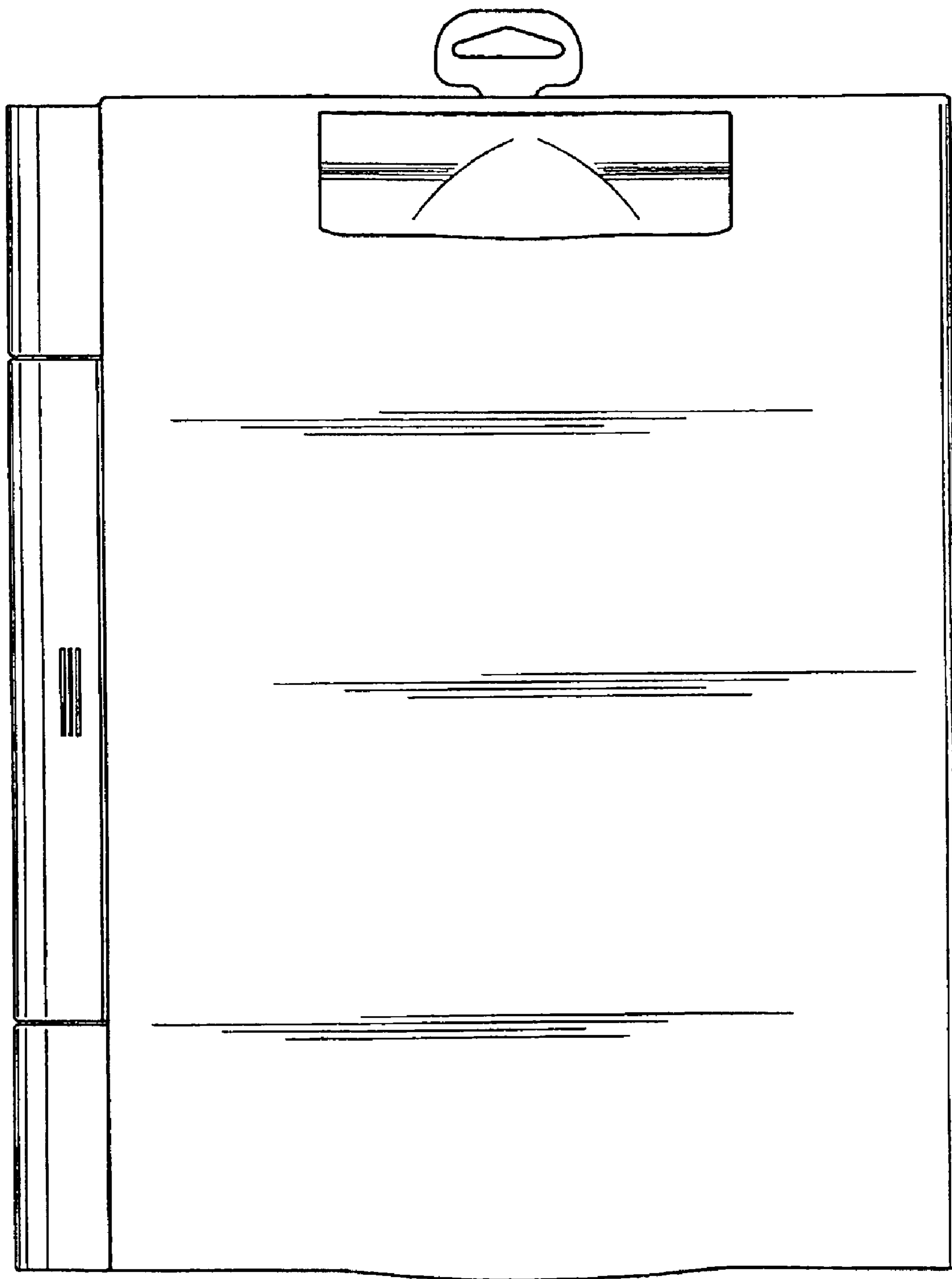


FIG. 3

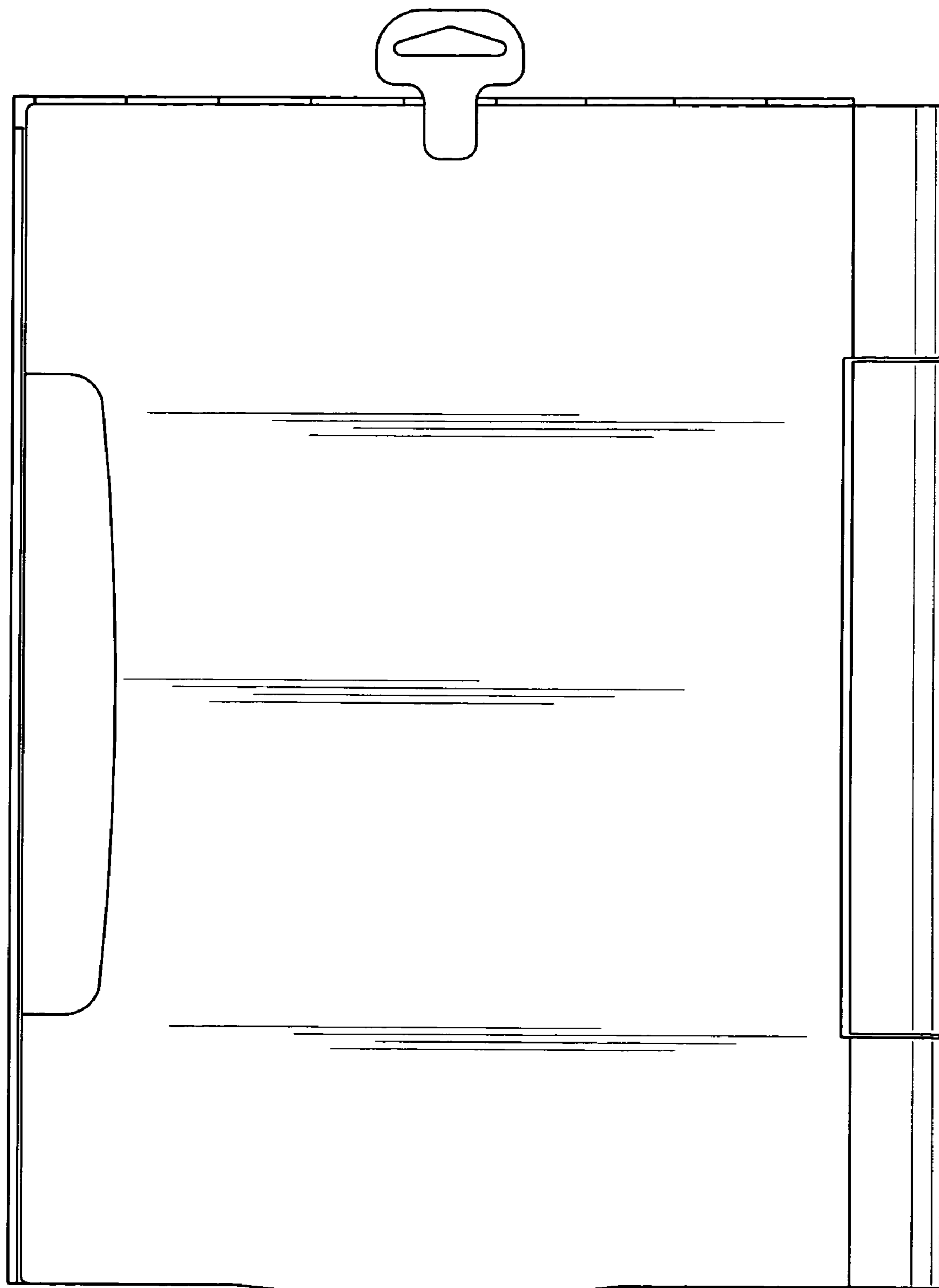


FIG. 4

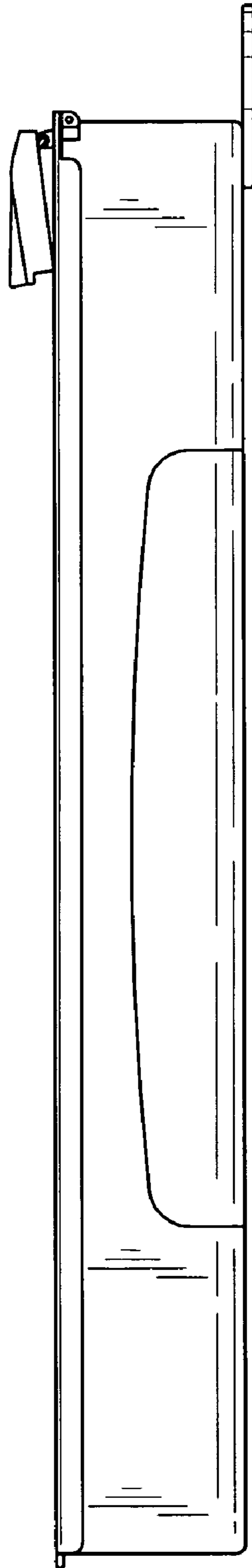


FIG. 5

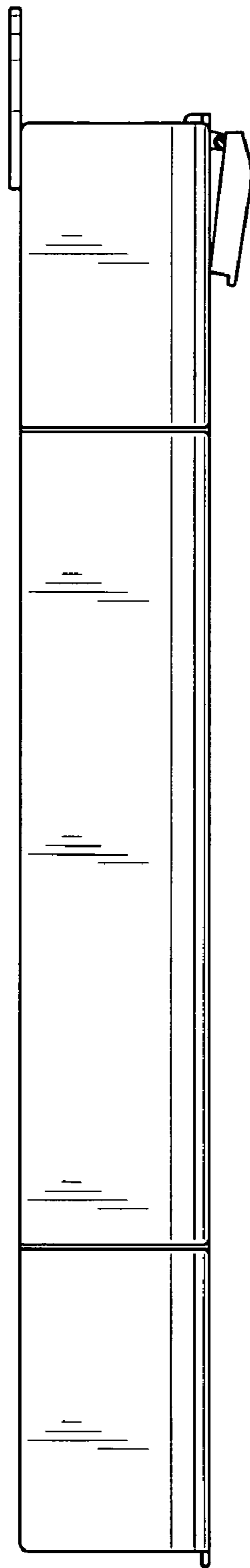


FIG. 6

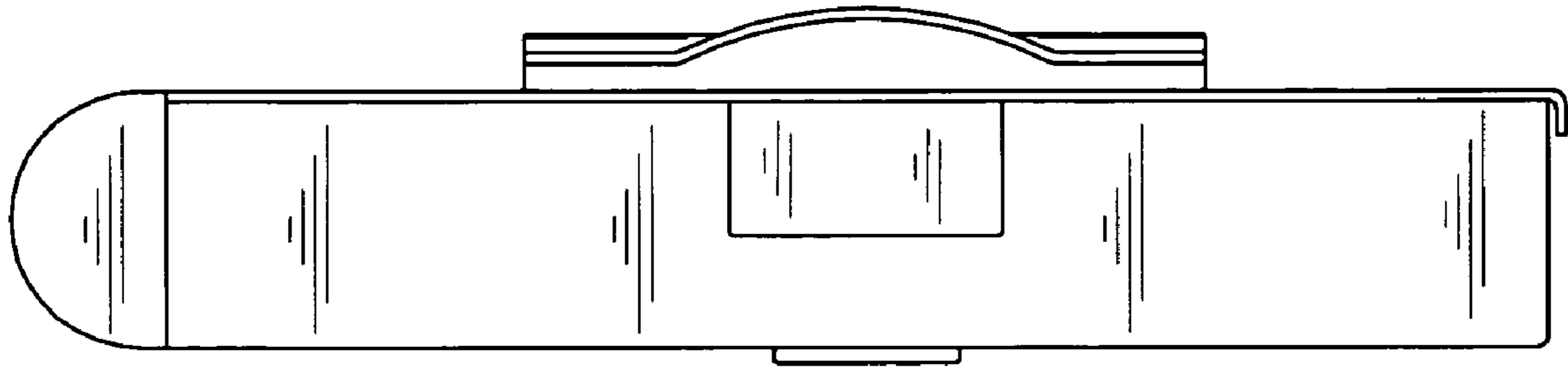


FIG. 7

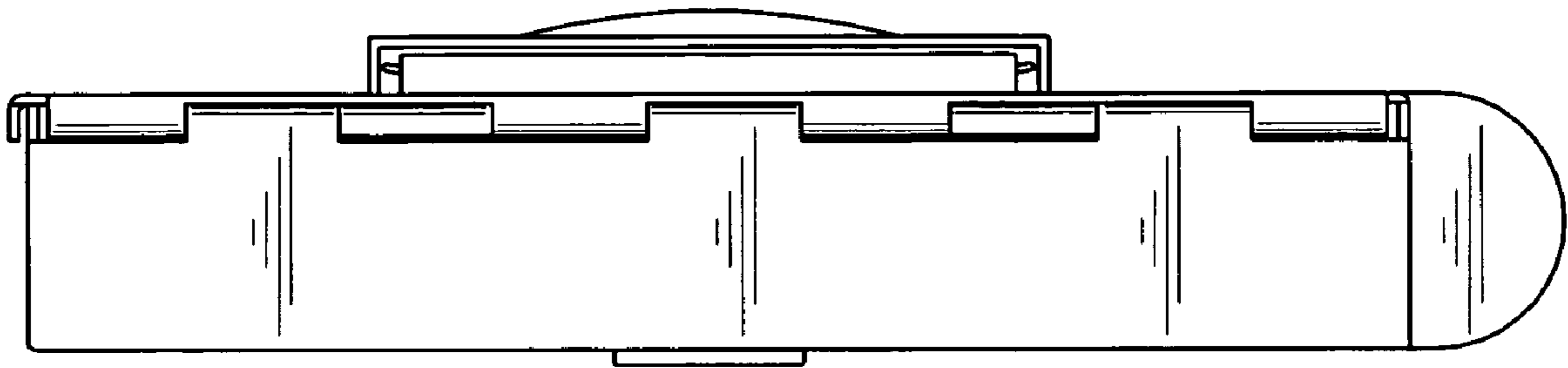


FIG. 8

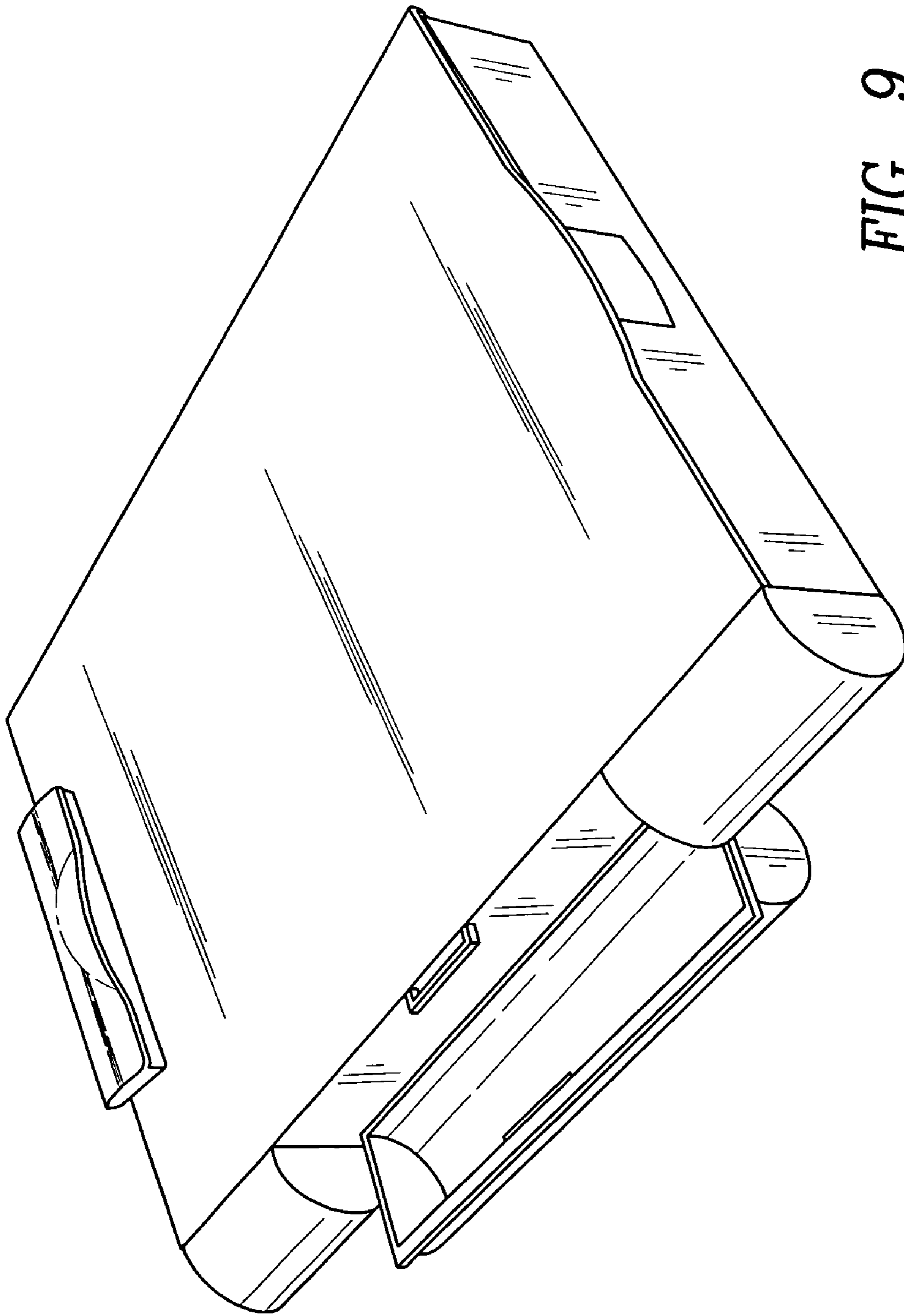


FIG. 9

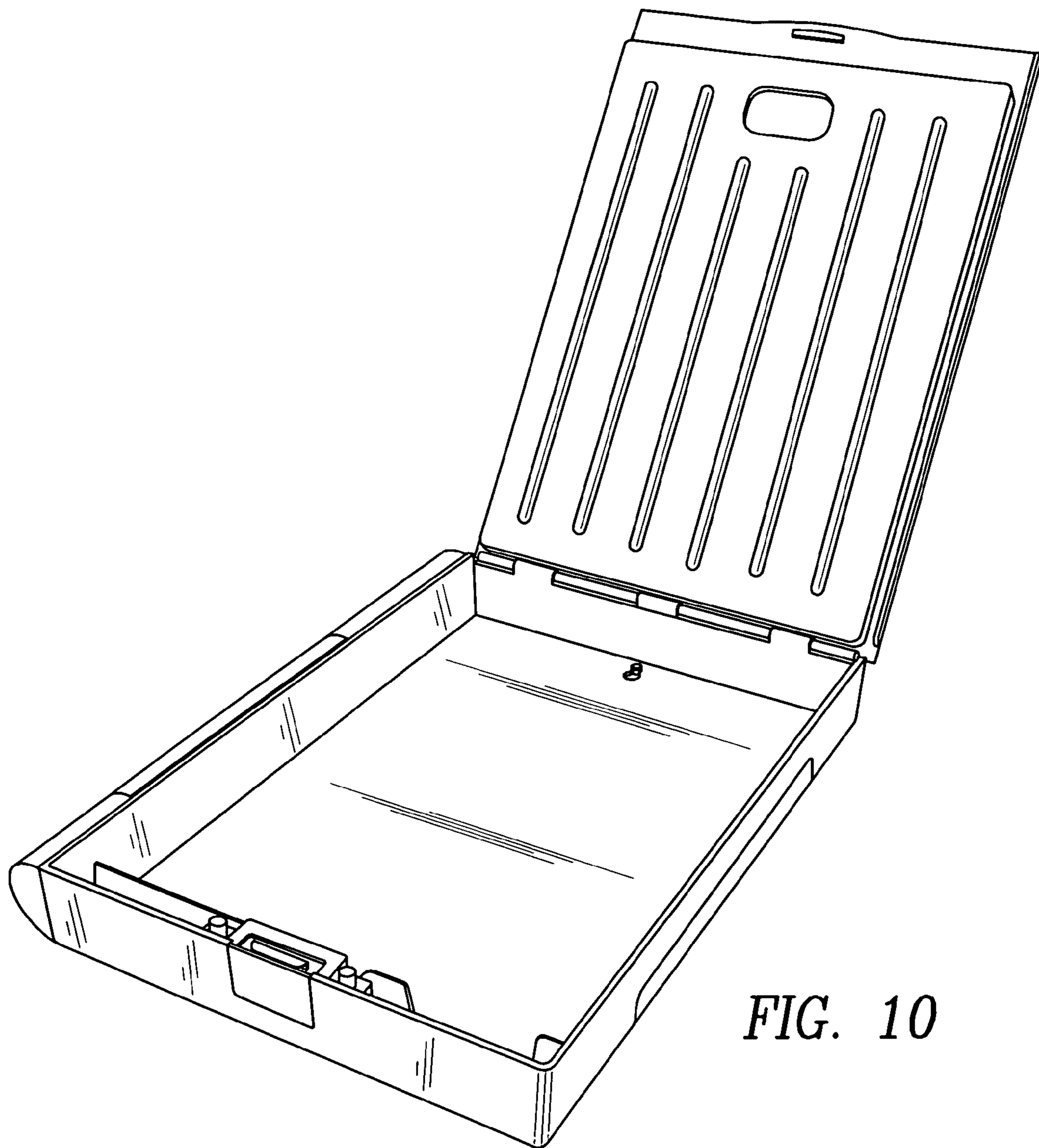


FIG. 10

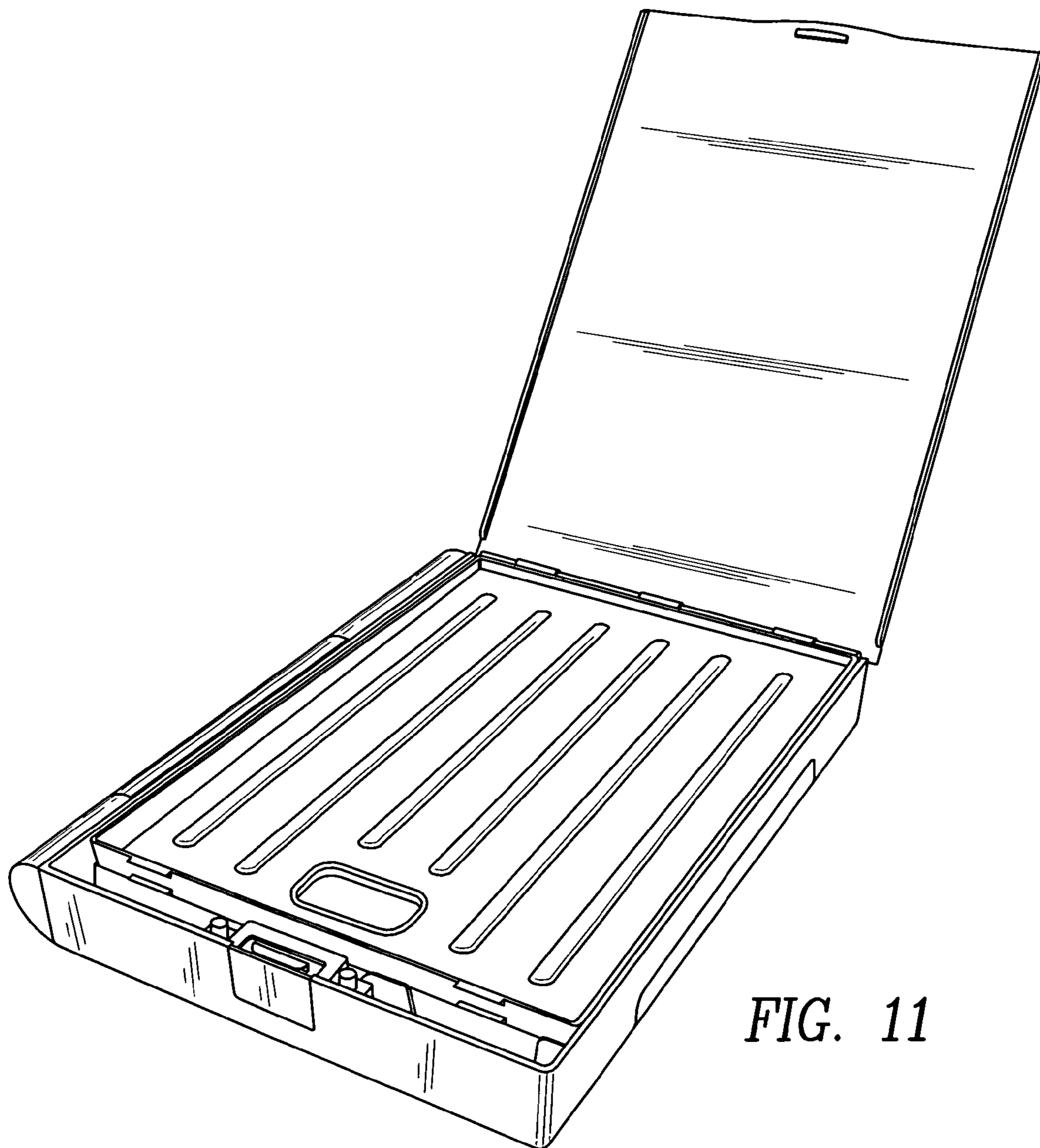


FIG. 11