



US00D605694S

(12) **United States Design Patent**
Zhang

(10) **Patent No.:** **US D605,694 S**
(45) **Date of Patent:** **** Dec. 8, 2009**

(54) **DUAL-TIP PEN**

(75) Inventor: **Biwei Zhang**, Ningbo (CN)

(73) Assignee: **Beifa Group Co., Ltd.**, Ningbo (CN)

(**) Term: **14 Years**

(21) Appl. No.: **29/330,029**

(22) Filed: **Dec. 26, 2008**

(30) **Foreign Application Priority Data**

Jun. 26, 2008 (CN) 2008 3 0128544

(51) **LOC (9) Cl.** **19-06**

(52) **U.S. Cl.** **D19/36**

(58) **Field of Classification Search** D19/35,
D19/36, 41-51, 53-57; 24/11 F, 11 P, 11 R;
401/52, 99, 100, 104-109, 192, 195, 196;
D26/37; 362/109, 118
See application file for complete search history.

(56) **References Cited**

U.S. PATENT DOCUMENTS

- 1,737,798 A * 12/1929 Kinzinger 401/57
- 1,856,463 A * 5/1932 Bussey 40/335
- D106,459 S * 10/1937 Sumi D19/21
- D145,870 S * 11/1946 Green et al. D19/49
- D221,033 S * 6/1971 Wakai D19/43
- D242,792 S * 12/1976 Loftus D19/49
- D306,316 S 2/1990 Shintani
- D327,911 S * 7/1992 Poisson D19/49
- D342,087 S * 12/1993 Mear et al. D19/36
- D363,947 S 11/1995 Kimura
- D369,384 S 4/1996 Yasoshima
- D370,088 S 5/1996 Burns
- D405,826 S * 2/1999 Worther D19/49

- D474,240 S * 5/2003 Alderson D19/49
- 6,688,792 B1 * 2/2004 Reichmann et al. 401/34
- D557,572 S * 12/2007 Kirsch et al. D7/651
- D580,489 S 11/2008 Ma
- D589,555 S 3/2009 Li
- D590,876 S 4/2009 Shi

FOREIGN PATENT DOCUMENTS

EM 000882824-0002 * 2/2008

OTHER PUBLICATIONS

Liu, L., "Pen," U.S. Appl. No. 29/326,693, filed Oct. 22, 2008.
Liu, L., "Pen," U.S. Appl. No. 29/329,140, filed Dec. 9, 2008.

* cited by examiner

Primary Examiner—Elizabeth A Albert

(74) *Attorney, Agent, or Firm*—Christensen O'Connor
Johnson Kindness PLLC

(57) **CLAIM**

The ornamental design for a dual-tip pen, as shown and described.

DESCRIPTION

FIG. 1 is a lower front right perspective view of a dual-tip pen showing my new design;

FIG. 2 is a left side elevation view of the dual-tip pen shown in FIG. 1, with a right side elevation view being a mirror image thereof;

FIG. 3 is an enlarged top plan view of the dual-tip pen shown in FIG. 1, with a bottom plan view being a mirror image thereof;

FIG. 4 is a front elevation view thereof; and,

FIG. 5 is a rear elevation view thereof.

1 Claim, 3 Drawing Sheets

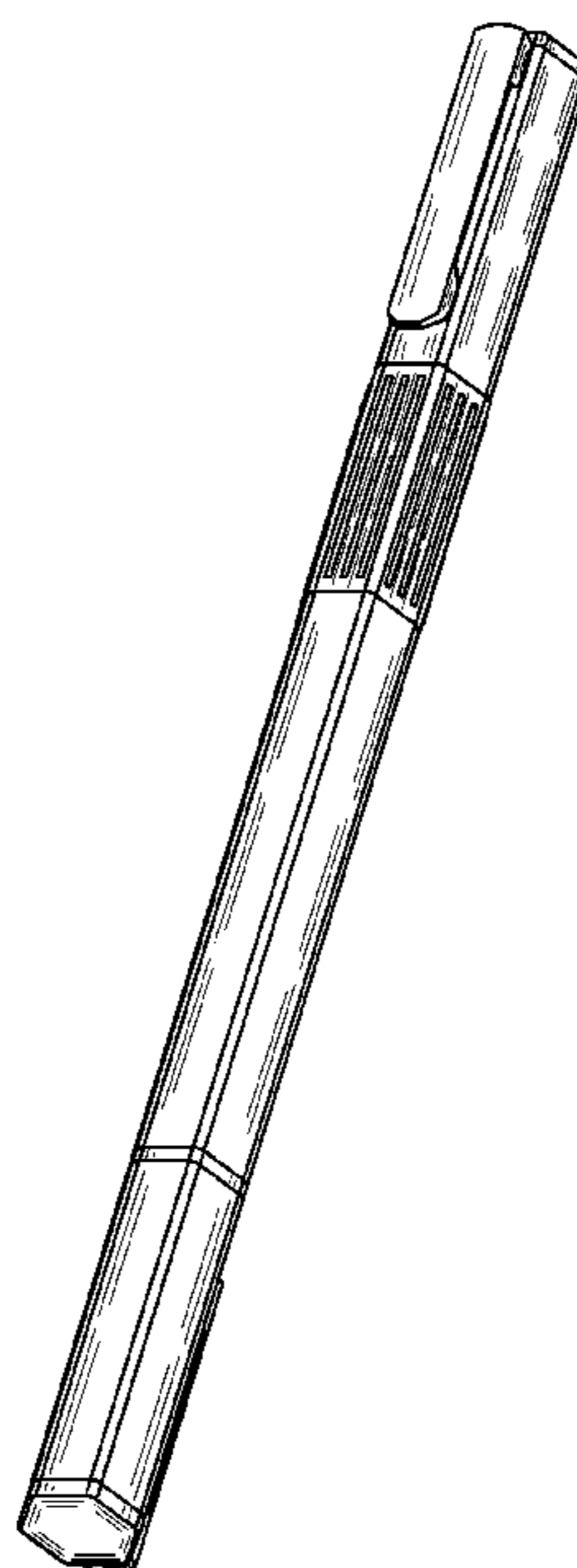
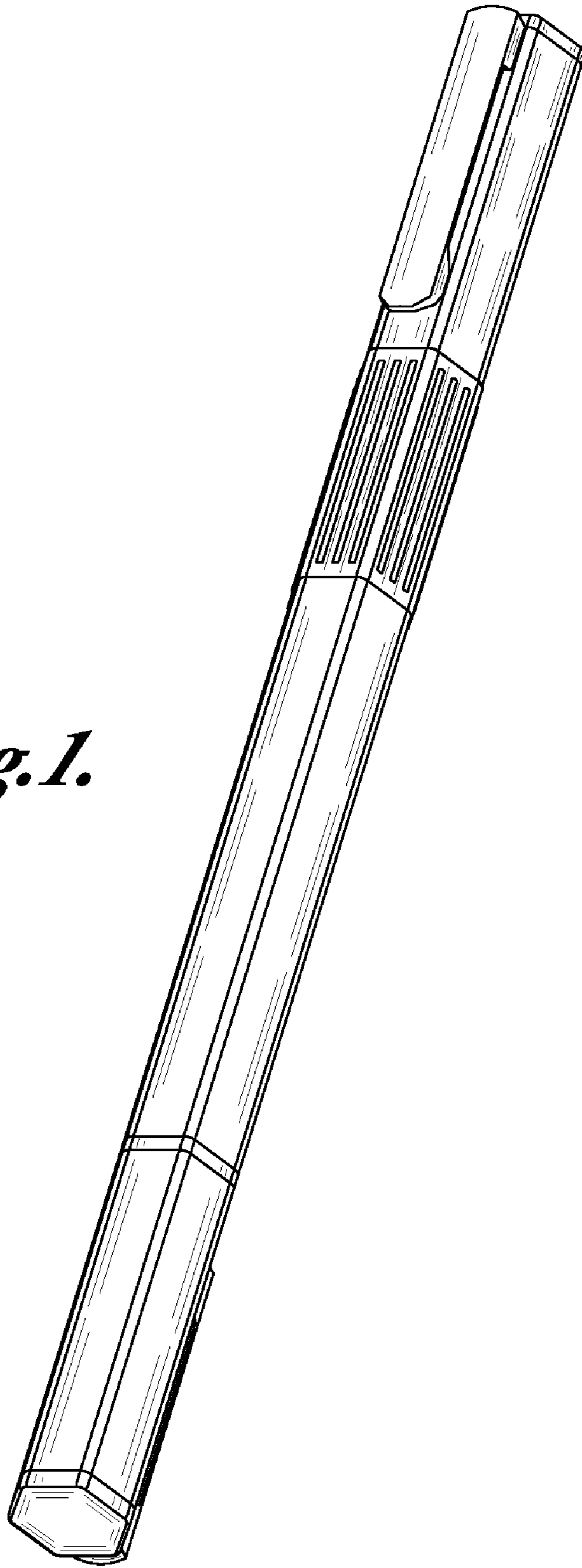
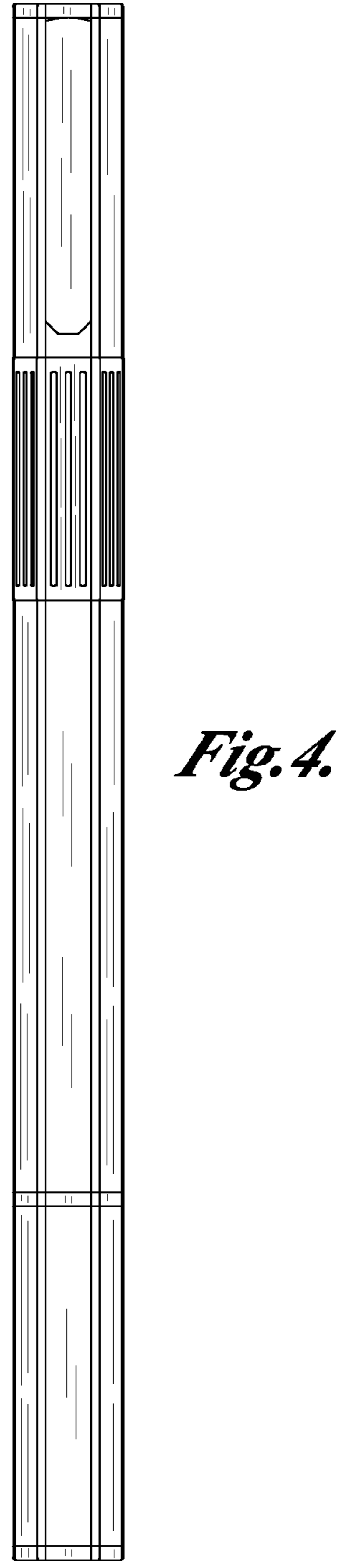
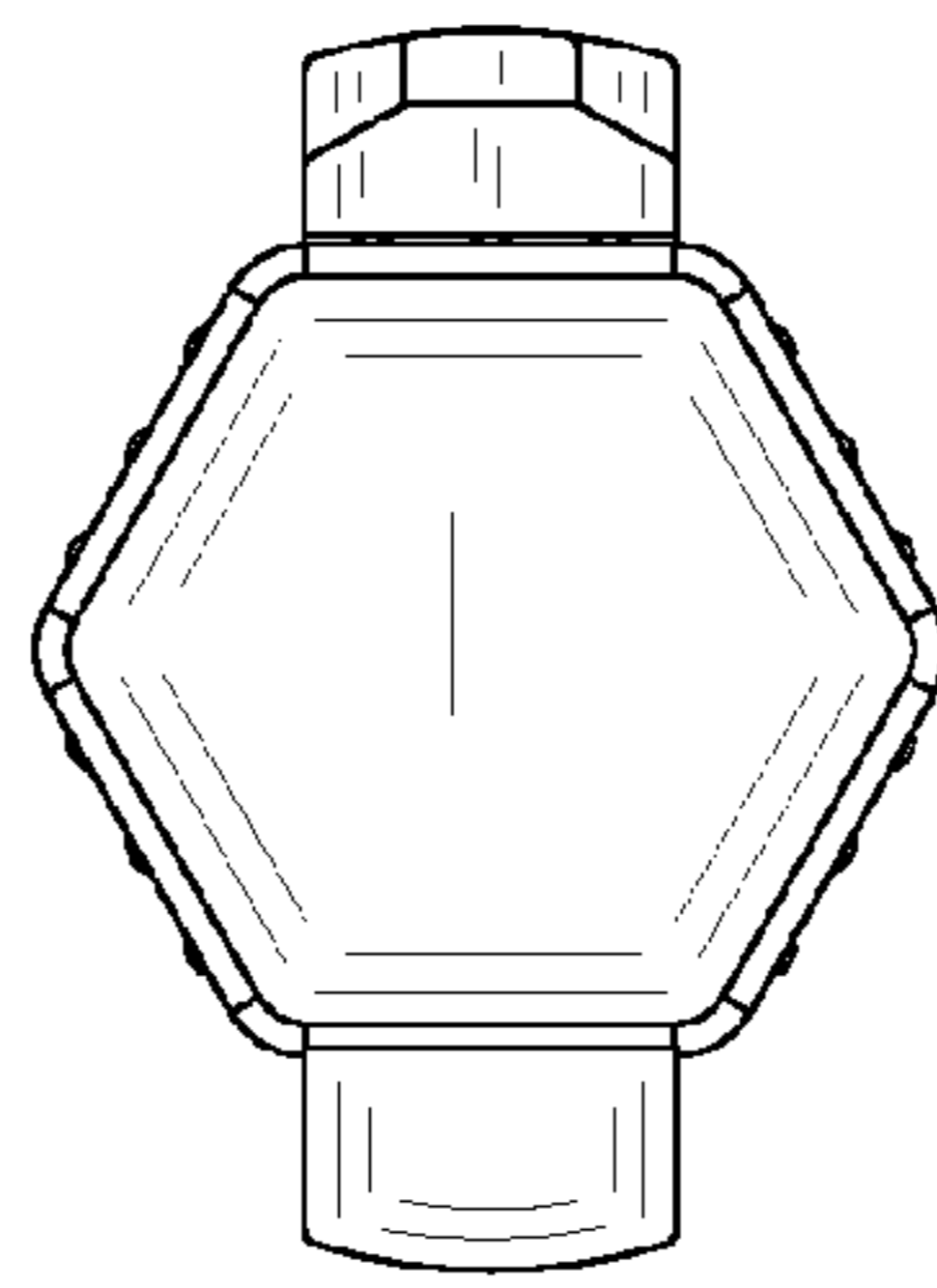
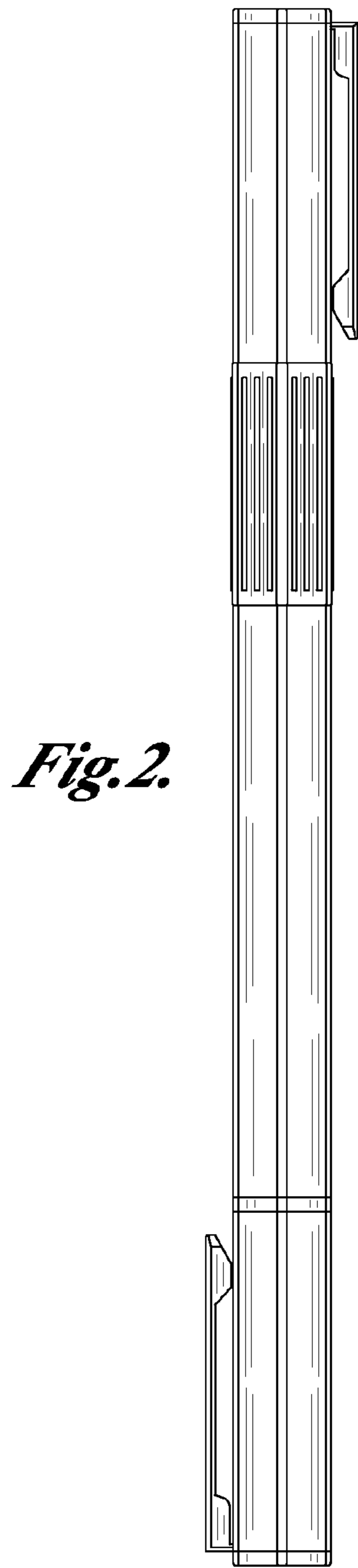


Fig. 1.





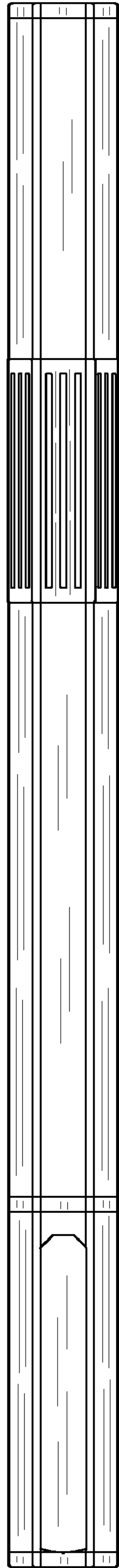


Fig. 5.