



US00D605693S

(12) **United States Design Patent**
Ng

(10) **Patent No.:** **US D605,693 S**

(45) **Date of Patent:** **** Dec. 8, 2009**

(54) **SET OF MARKERS**

(75) Inventor: **Chung Kwong Van Ng**, Kowloon (HK)

(73) Assignee: **Vanker Industries Limited**, Kowloon (HK)

(**) Term: **14 Years**

(21) Appl. No.: **29/329,303**

(22) Filed: **Dec. 11, 2008**

(51) **LOC (9) Cl.** **19-06**

(52) **U.S. Cl.** **D19/36**

(58) **Field of Classification Search** D19/35,
D19/36, 41-51, 53-57; 24/11 F, 11 P, 11 R;
401/52, 99, 100, 104-109, 192, 195, 196,
401/34, 35

See application file for complete search history.

(56) **References Cited**

U.S. PATENT DOCUMENTS

D119,263	S	*	3/1940	Harris	D19/49
D145,431	S	*	8/1946	Flanagan	D19/42
D163,606	S	*	6/1951	Horwitch	D19/48
D179,538	S	*	1/1957	Harper et al.	D19/49
3,442,595	A	*	5/1969	Dumas	401/35
D242,449	S	*	11/1976	Jahraus	D19/45
D250,478	S	*	12/1978	Jahraus	D19/45
D282,378	S	*	1/1986	Ohyabu et al.	D19/43
D312,658	S	*	12/1990	Sumino	D19/36
D321,207	S	*	10/1991	Granoff	D19/49
D339,377	S	*	9/1993	Irving	D19/36
D371,747	S	*	7/1996	Strader	D10/78
D389,515	S	*	1/1998	Van Swieten	D19/36
D397,147	S	*	8/1998	Mackenzie	D19/36
D397,148	S	*	8/1998	Luntz	D19/36
5,877,618	A	*	3/1999	Luebke et al.	324/72.5
D410,203	S	*	5/1999	Beha	D10/78

D425,803	S	*	5/2000	Luebke et al.	D10/70
6,685,373	B1	*	2/2004	Liu	401/35
D504,154	S	*	4/2005	Collin	D19/49
6,960,039	B2	*	11/2005	Sieling et al.	401/35
7,237,971	B2	*	7/2007	Obsorne	401/35
D548,786	S	*	8/2007	O'Hern et al.	D19/47
7,461,991	B2	*	12/2008	Dalancourt et al.	401/251
2003/0016988	A1	*	1/2003	McDonnell et al.	401/35

FOREIGN PATENT DOCUMENTS

DE	DM/052601	*	7/2000
EM	001037923-0001	*	11/2008
EM	001108021-0001	*	3/2009

* cited by examiner

Primary Examiner—Elizabeth A Albert

(74) *Attorney, Agent, or Firm*—Intellectual Property law Group LLP; Junejo Jackson; Otto O. Lee

(57) **CLAIM**

The ornamental design for a set of markers, as shown and described.

DESCRIPTION

FIG. 1 is a top front perspective view of a set of markers, embodying my new design;

FIG. 2 is a bottom rear perspective view thereof;

FIG. 3 is a top plan view of FIG. 1; a bottom plan view being a mirror image thereof;

FIG. 4 is a left side elevational view thereof;

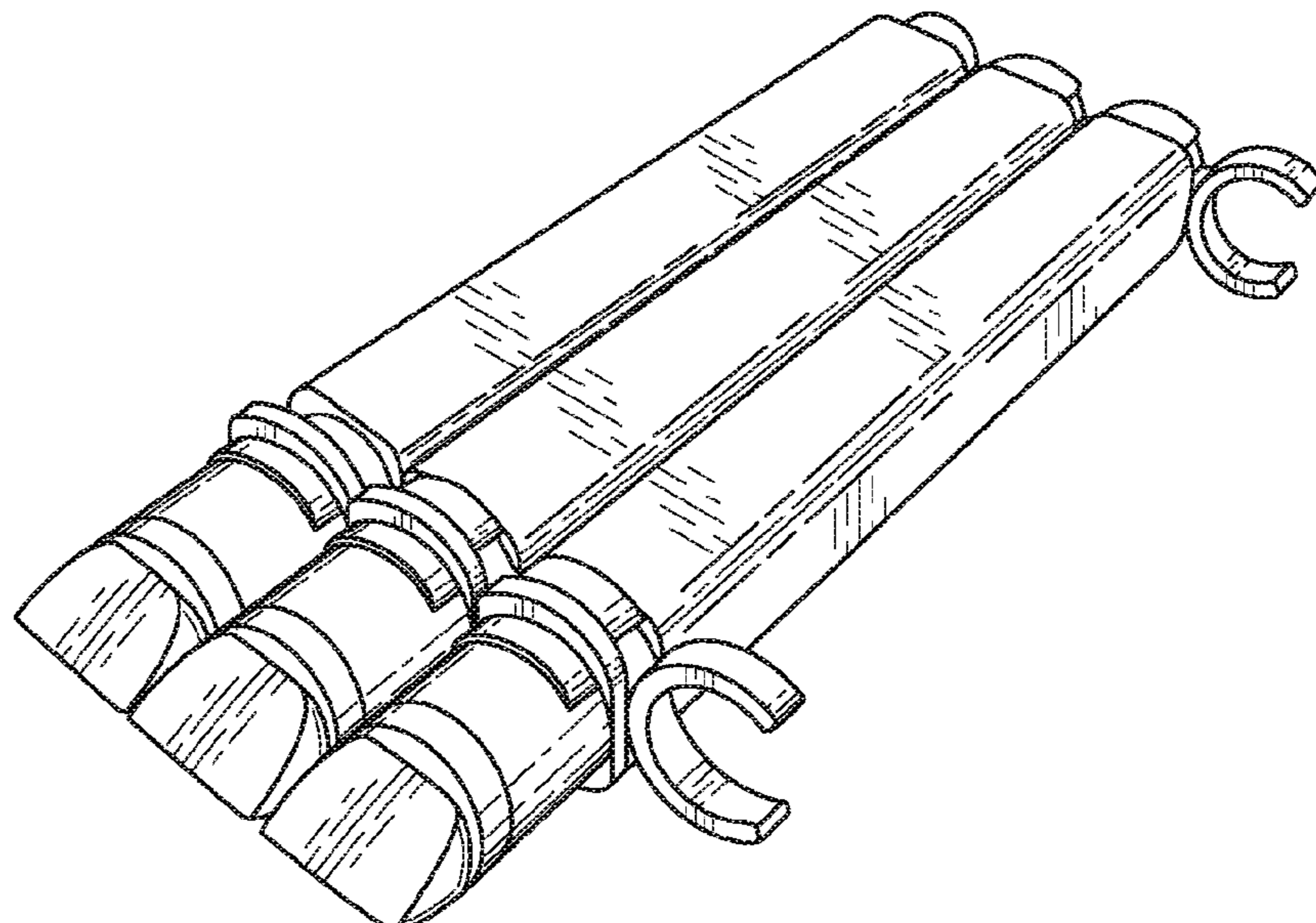
FIG. 5 is a right side elevational view thereof;

FIG. 6 is a rear elevational view thereof;

FIG. 7 is a front elevational view thereof; and,

FIG. 8 is a disconnected top perspective view thereof.

1 Claim, 3 Drawing Sheets



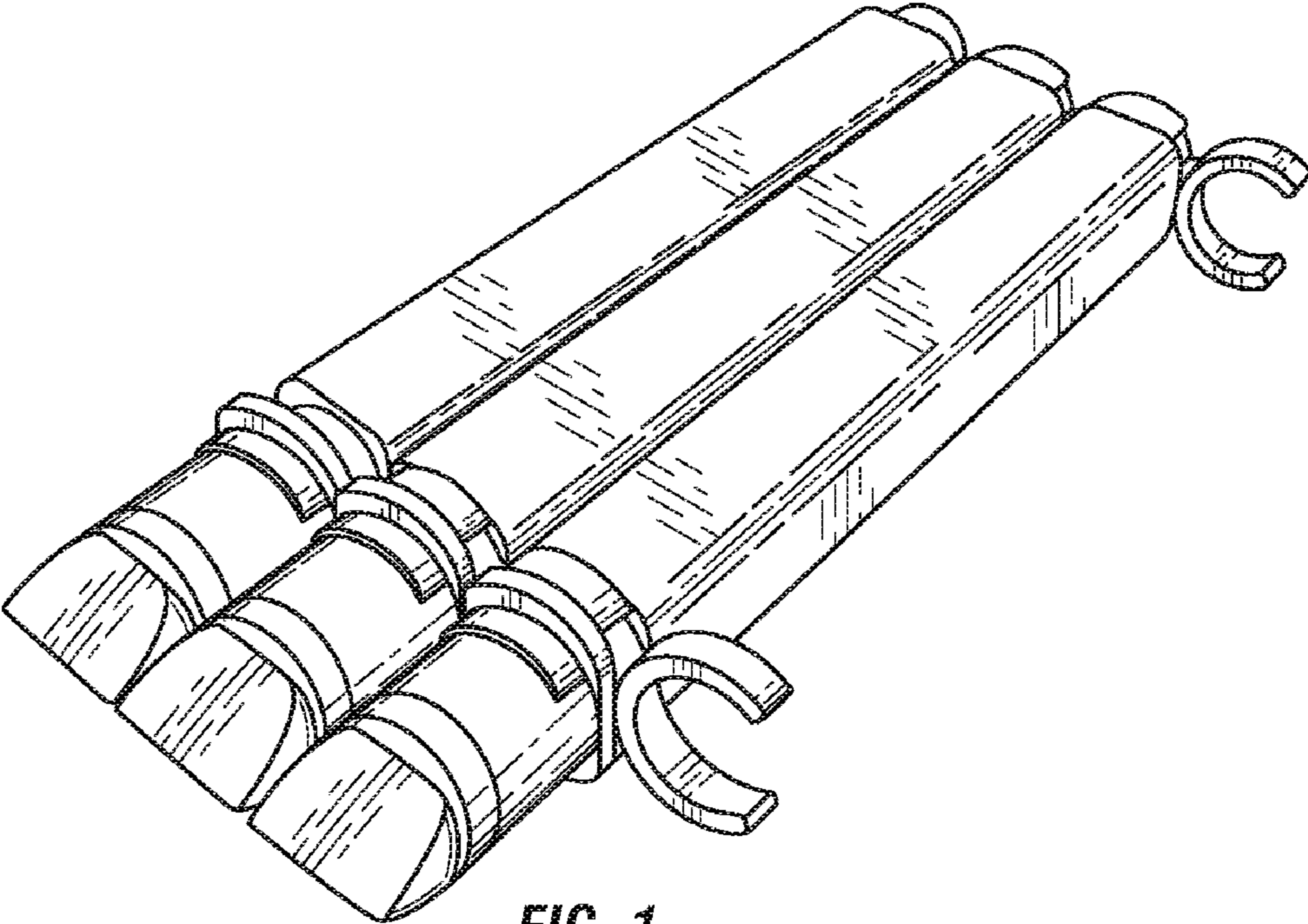


FIG. 1

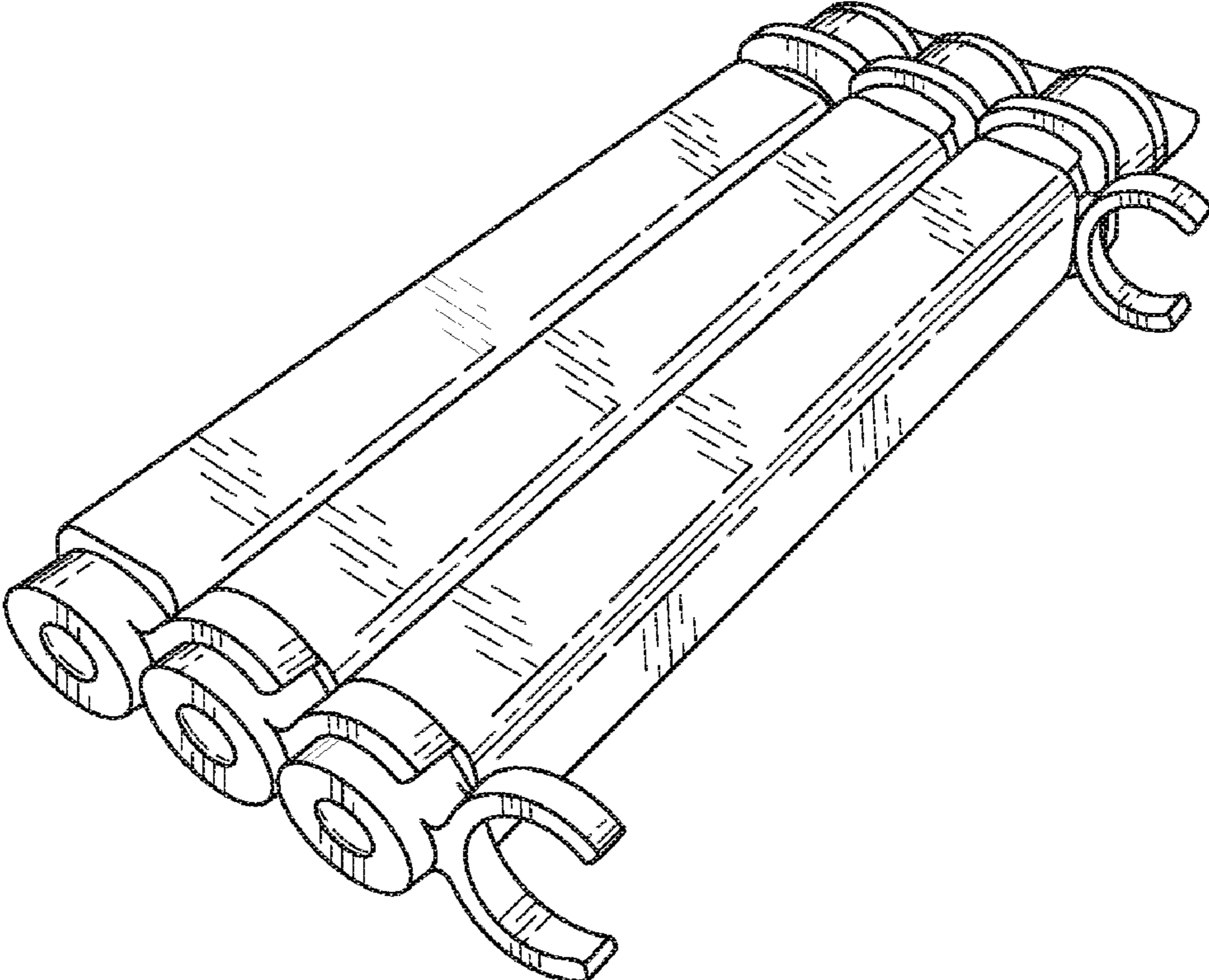


FIG. 2

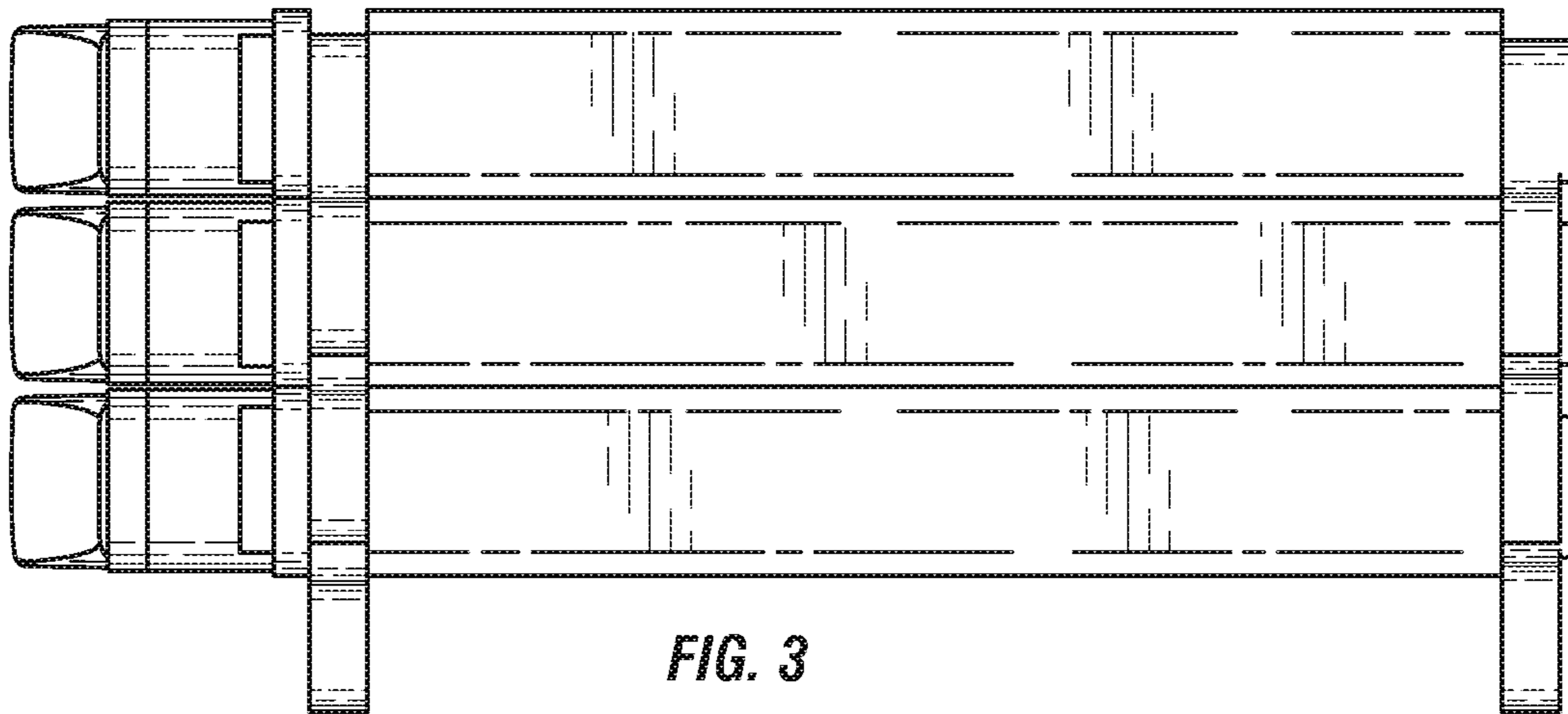


FIG. 3

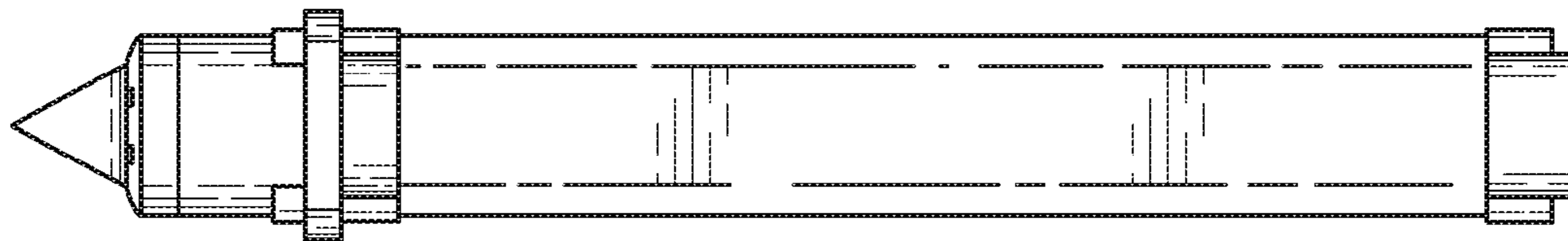


FIG. 4

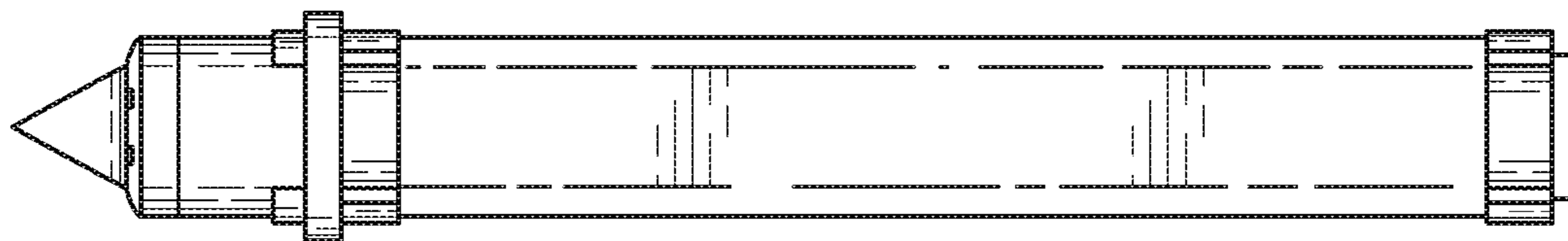


FIG. 5

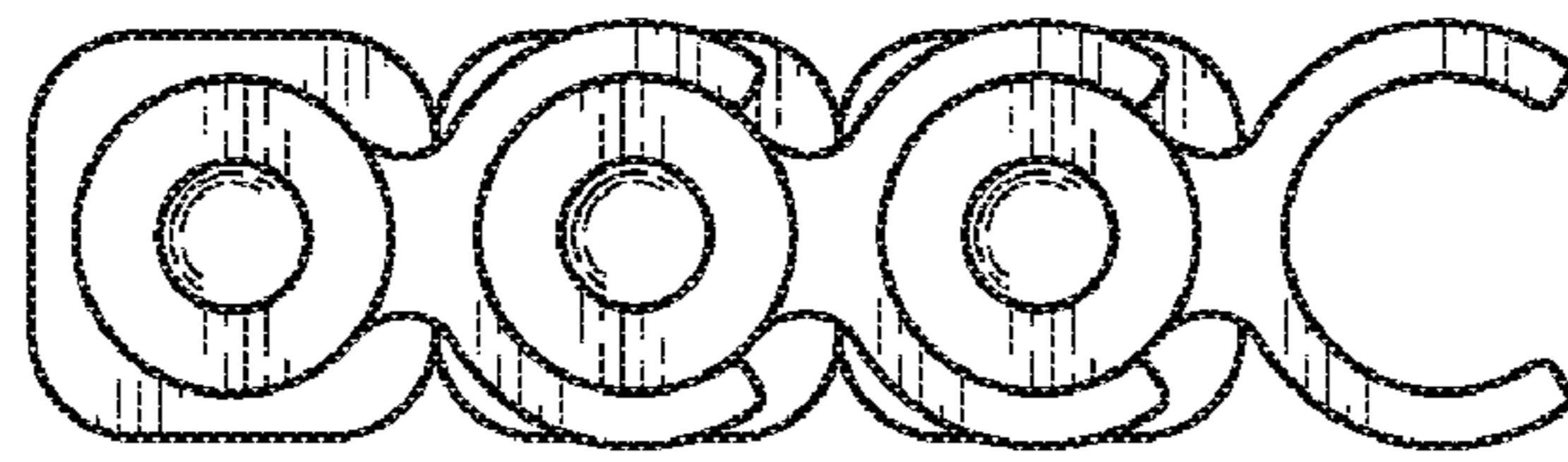


FIG. 6

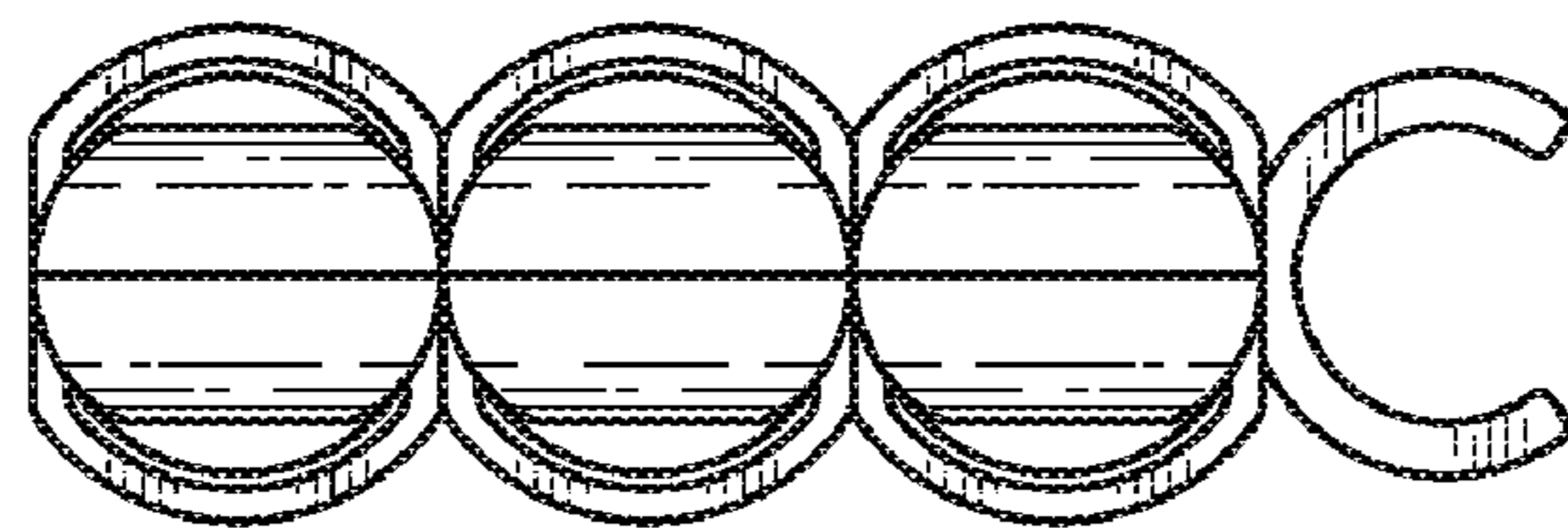


FIG. 7

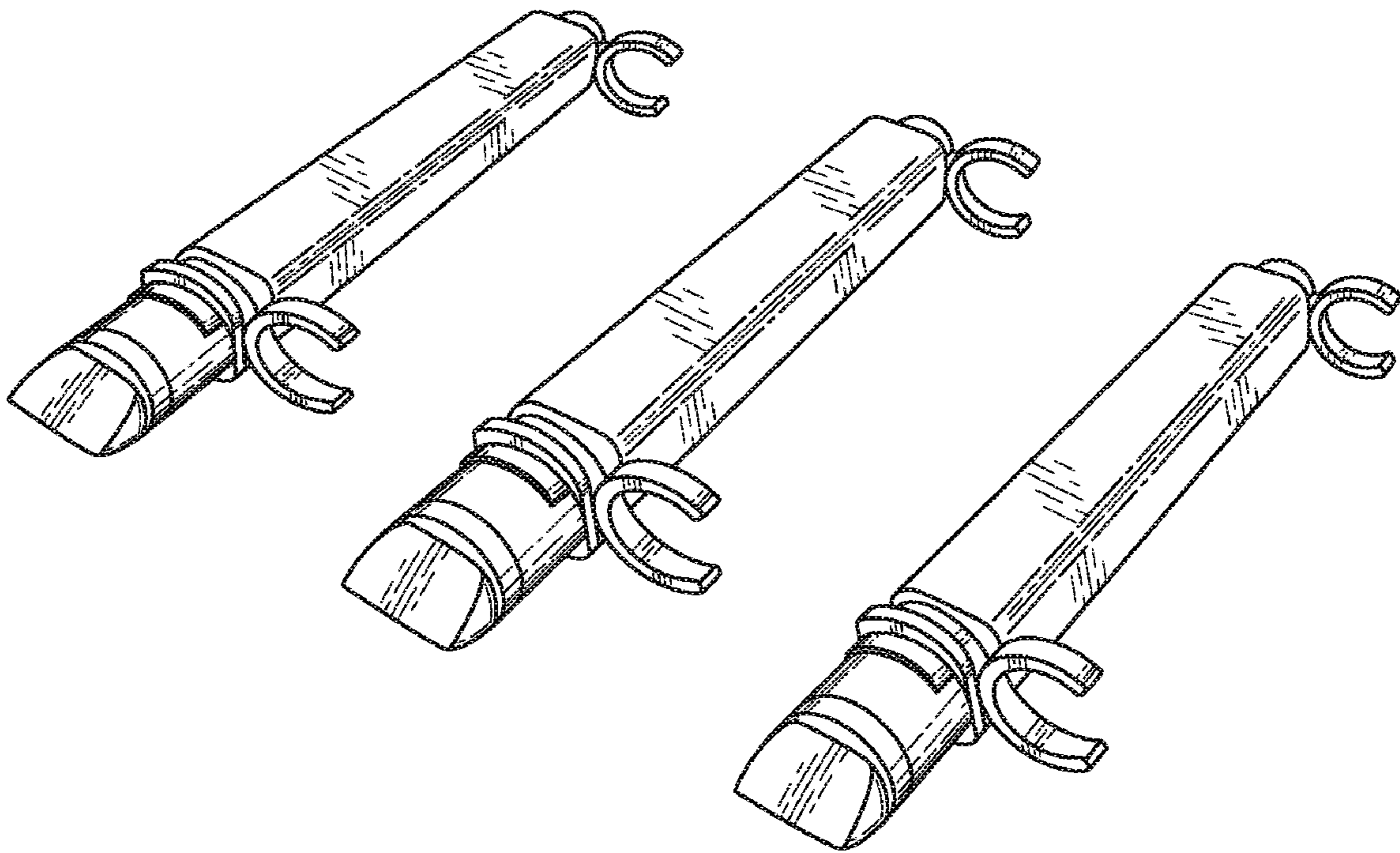


FIG. 8