



US00D605691S

(12) **United States Design Patent**
Sato

(10) **Patent No.:** **US D605,691 S**
(45) **Date of Patent:** **** Dec. 8, 2009**

(54) **PRINTER**

(75) Inventor: **Yukihiko Sato**, Nagoya (JP)

(73) Assignee: **Brother Industries, Ltd.**, Nagoya (JP)

(**) Term: **14 Years**

(21) Appl. No.: **29/300,516**

(22) Filed: **Apr. 4, 2008**

(30) **Foreign Application Priority Data**

Oct. 5, 2007 (JP) 2007-027317

(51) **LOC (9) Cl.** **14-02**

(52) **U.S. Cl.** **D18/55**

(58) **Field of Classification Search** D18/36-37,
D18/50, 54, 54.1, 55, 19; D14/420-425,
D14/463-470; 400/613, 613.1-613.4, 690.1,
400/690.4, 691-694

See application file for complete search history.

(56) **References Cited**

U.S. PATENT DOCUMENTS

D479,556 S * 9/2003 Hattori et al. D14/464
D480,732 S * 10/2003 Hattori et al. D14/469
D518,092 S * 3/2006 Hattori D18/55

D536,729 S * 2/2007 Hattori D18/50
D553,185 S * 10/2007 Hattori D18/50
D553,186 S * 10/2007 Hoshiya et al. D18/55
D556,254 S * 11/2007 Yamaguchi D18/50
D558,263 S * 12/2007 Yamaguchi D18/50

* cited by examiner

Primary Examiner—Cathy Anne MacCormac

(74) *Attorney, Agent, or Firm*—Olliff & Berridge, PLC

(57) **CLAIM**

The ornamental design for a printer, as shown and described.

DESCRIPTION

FIG. 1 is a perspective view of a printer;

FIG. 2 is a front view thereof;

FIG. 3 is a top view thereof;

FIG. 4 is a right-side view thereof;

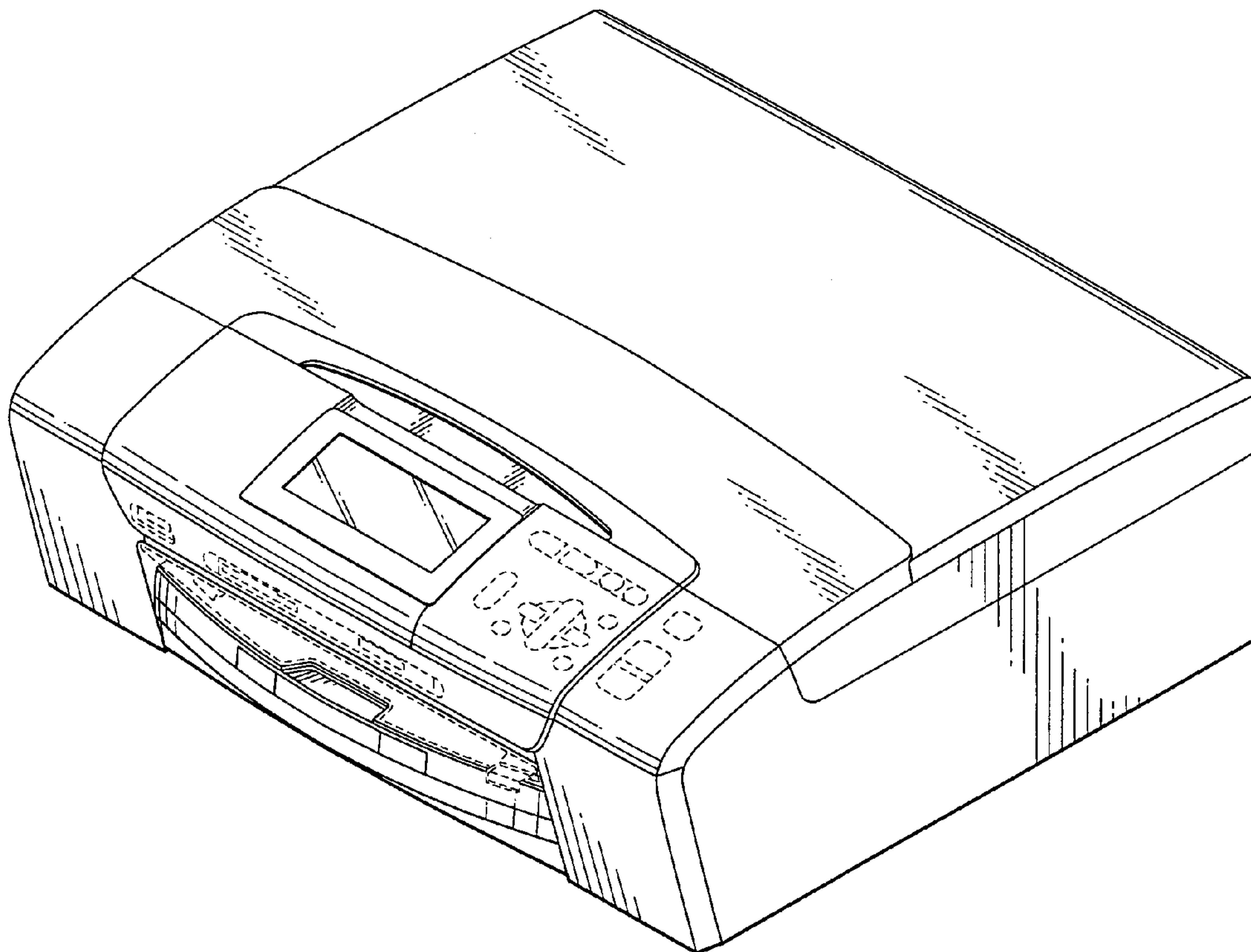
FIG. 5 is a left-side view thereof;

FIG. 6 is a rear view thereof; and,

FIG. 7 is a bottom view thereof.

The broken lines depict environmental subject matter only and form no part of the claimed design.

1 Claim, 6 Drawing Sheets



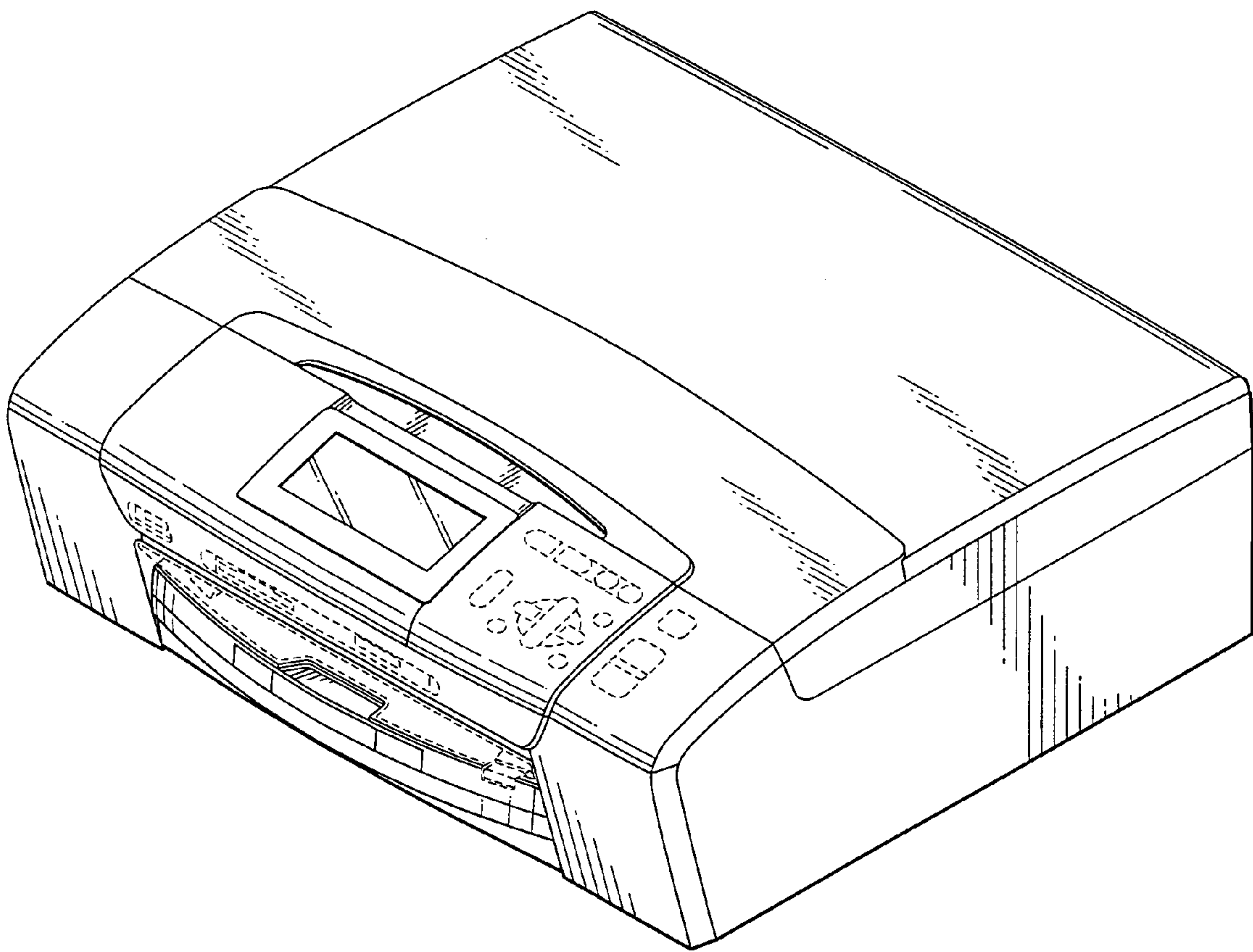


FIG. 1

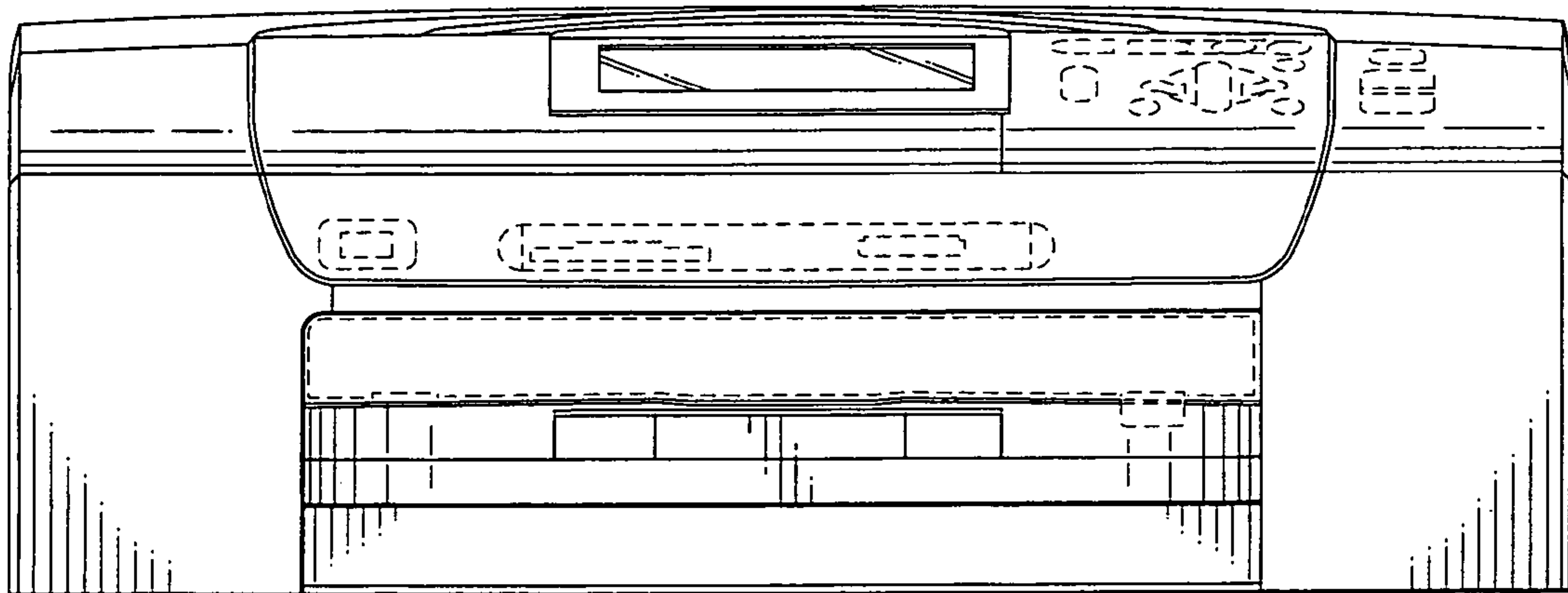


FIG. 2

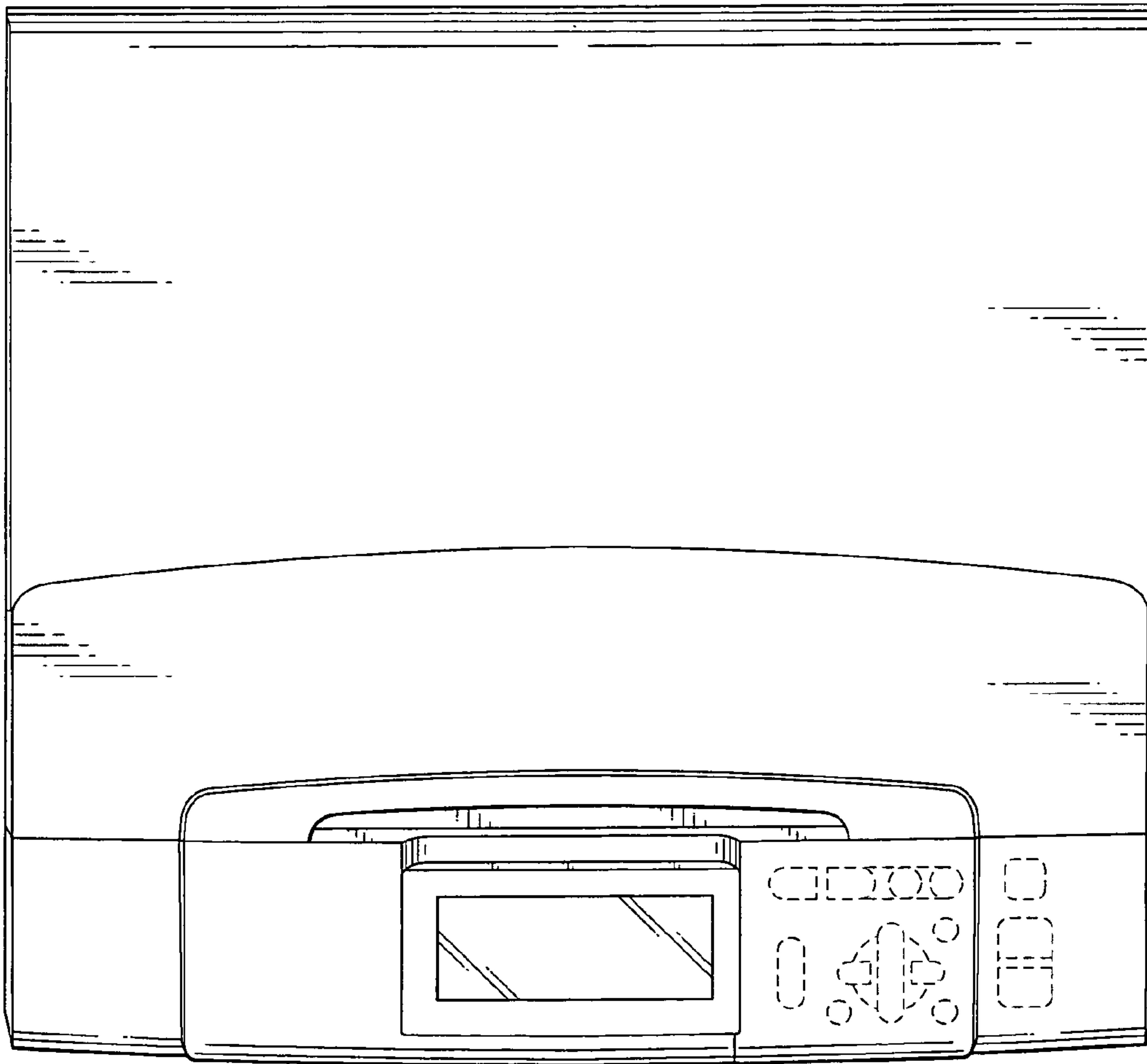


FIG. 3

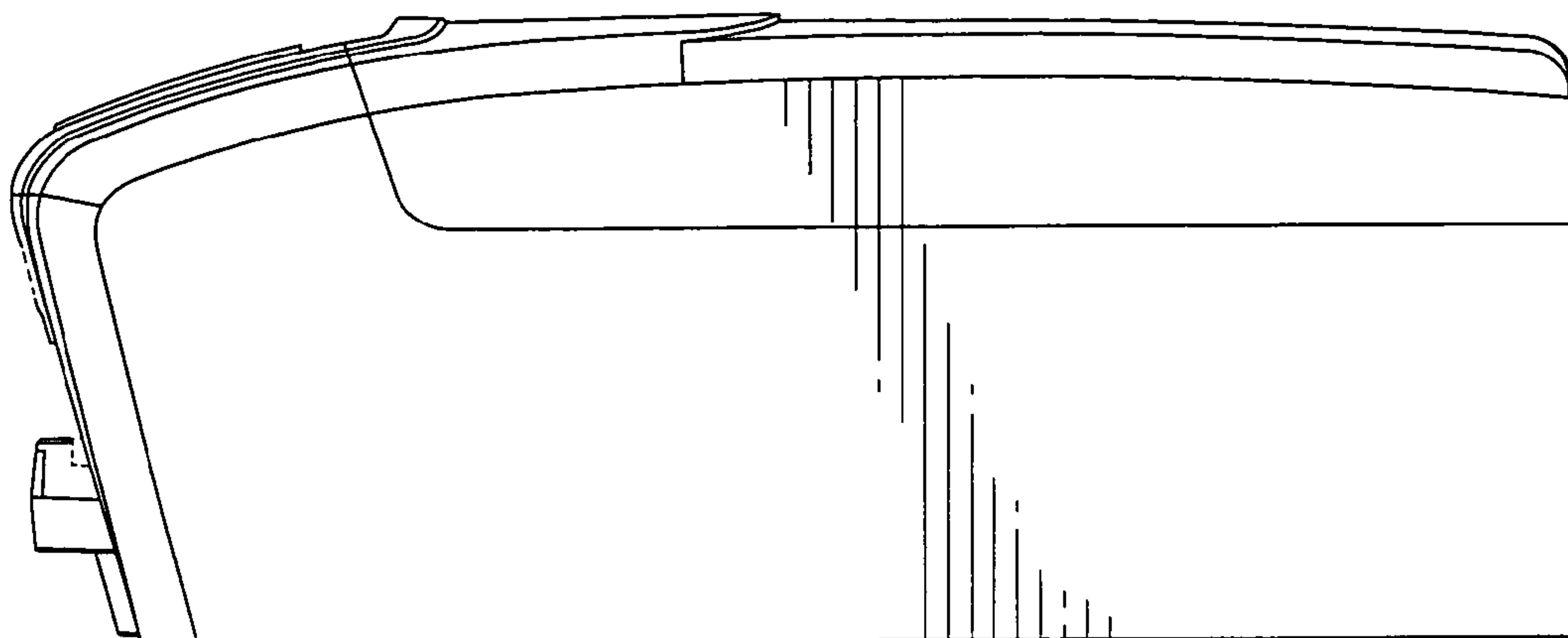


FIG. 4

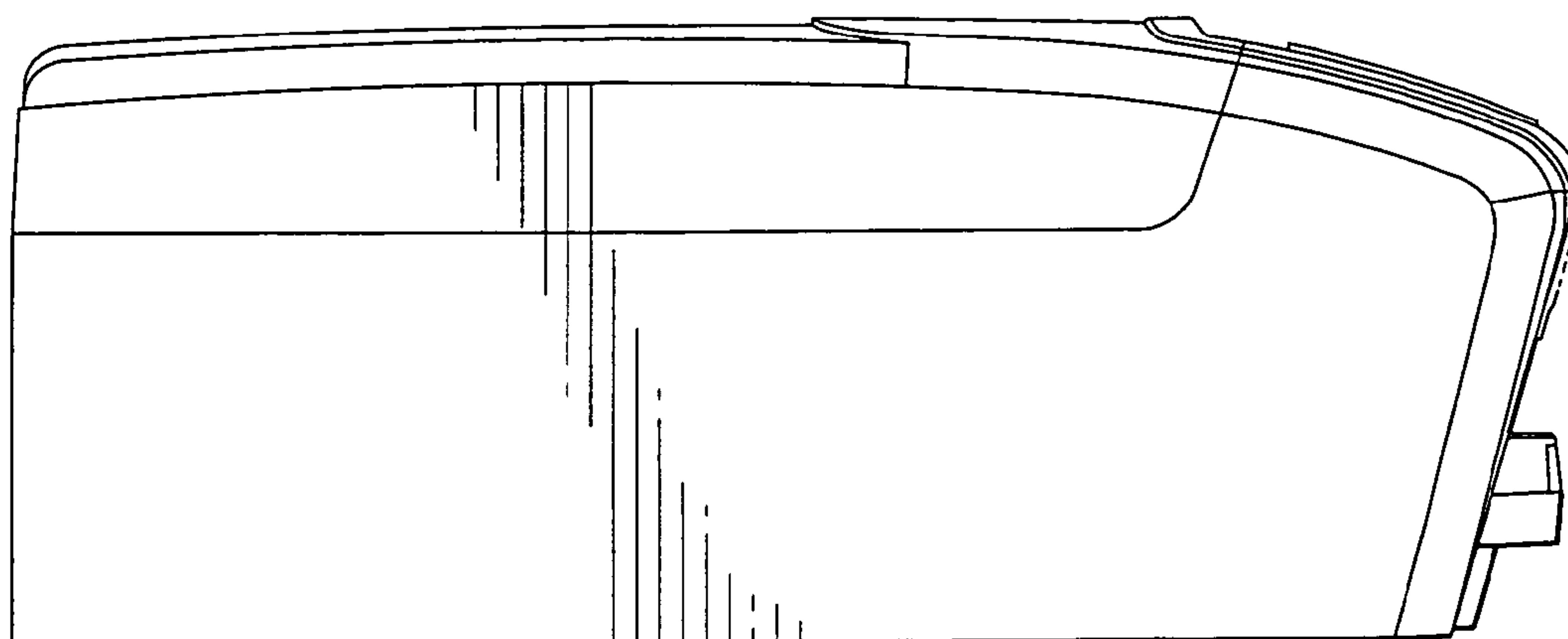


FIG. 5

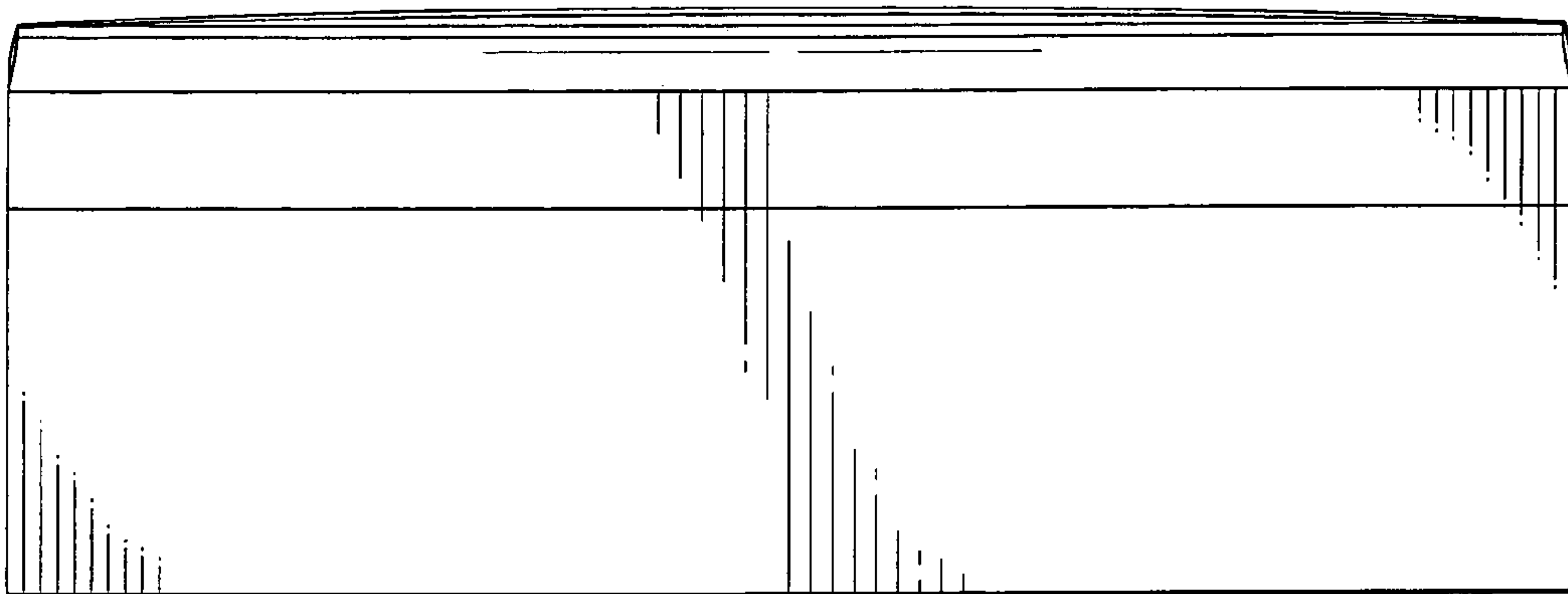


FIG. 6

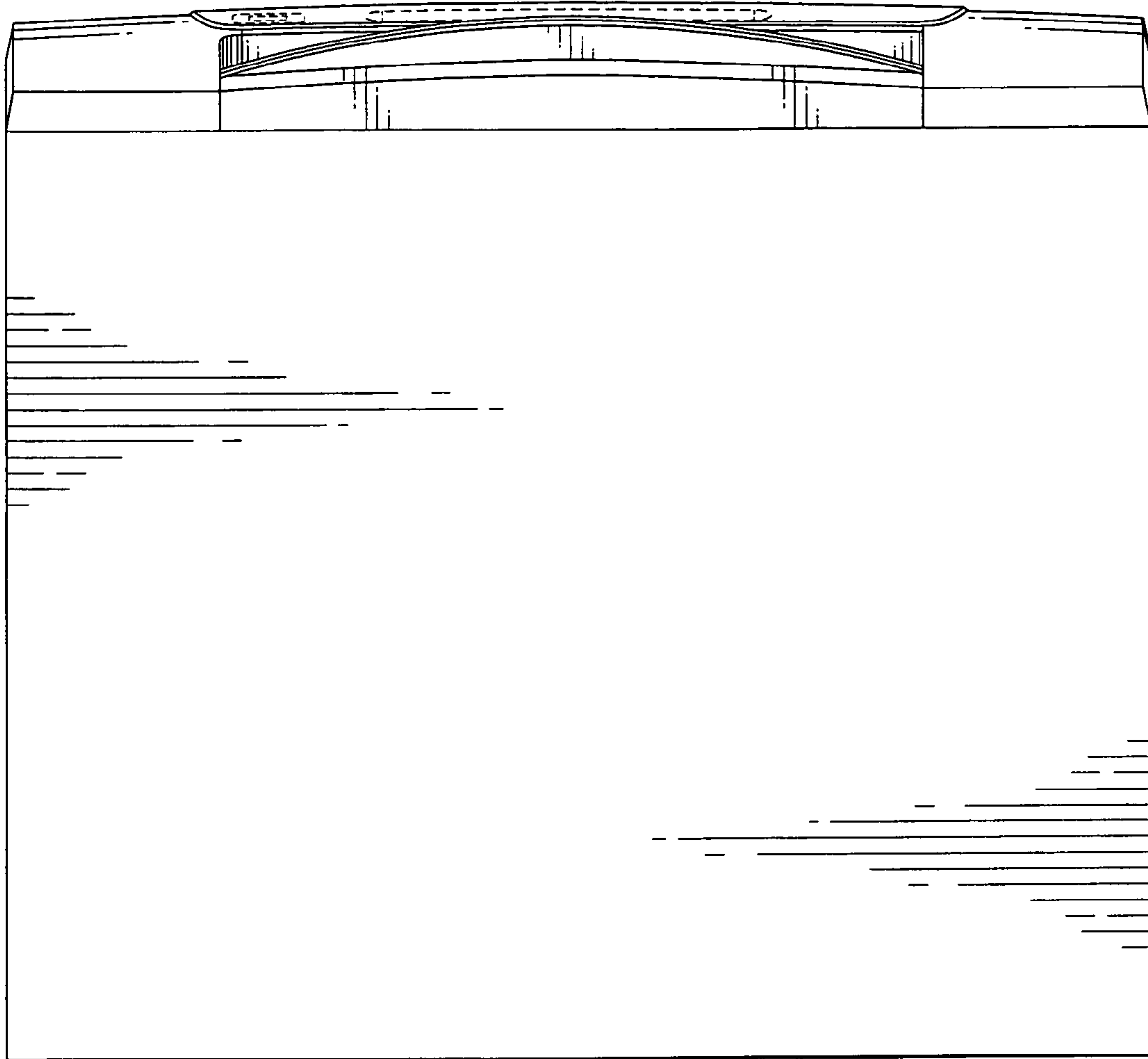


FIG. 7