



US00D605690S

(12) **United States Design Patent**
Stenzel

(10) **Patent No.:** **US D605,690 S**
(45) **Date of Patent:** **** Dec. 8, 2009**

(54) **OPERATING CONSOLE FOR A PRINTING MACHINE**

(75) Inventor: **Oliver Stenzel**, Neckargemünd (DE)

(73) Assignee: **Heidelberger Druckmaschinen AG**, Heidelberg (DE)

(**) Term: **14 Years**

(21) Appl. No.: **29/306,943**

(22) Filed: **Apr. 18, 2008**

(30) **Foreign Application Priority Data**

Oct. 19, 2007 (EM) 000812177

(51) **LOC (9) Cl.** **18-02**

(52) **U.S. Cl.** **D18/53**

(58) **Field of Classification Search** D18/34.1, D18/34.2, 36-41, 46-19, 53, 35.1, 51; D14/302, D14/305; 399/1-7, 16, 75, 81, 107, 130, 399/151, 361, 365, 367, 381-383, 388
See application file for complete search history.

(56) **References Cited**

U.S. PATENT DOCUMENTS

D158,534 S * 5/1950 Wesche D6/436

D211,799 S * 7/1968 Miller D6/397
D241,879 S * 10/1976 Swift et al. D20/1
D313,051 S * 12/1990 Haker D21/371
D418,527 S * 1/2000 Billman D15/199
D522,568 S * 6/2006 Schneider D18/50
D554,710 S * 11/2007 Malone et al. D21/370

* cited by examiner

Primary Examiner—Charles A Rademaker

Assistant Examiner—Charles D Hanson

(74) *Attorney, Agent, or Firm*—Laurence A. Greenberg; Werner H. Stemer; Ralph E. Locher

(57) **CLAIM**

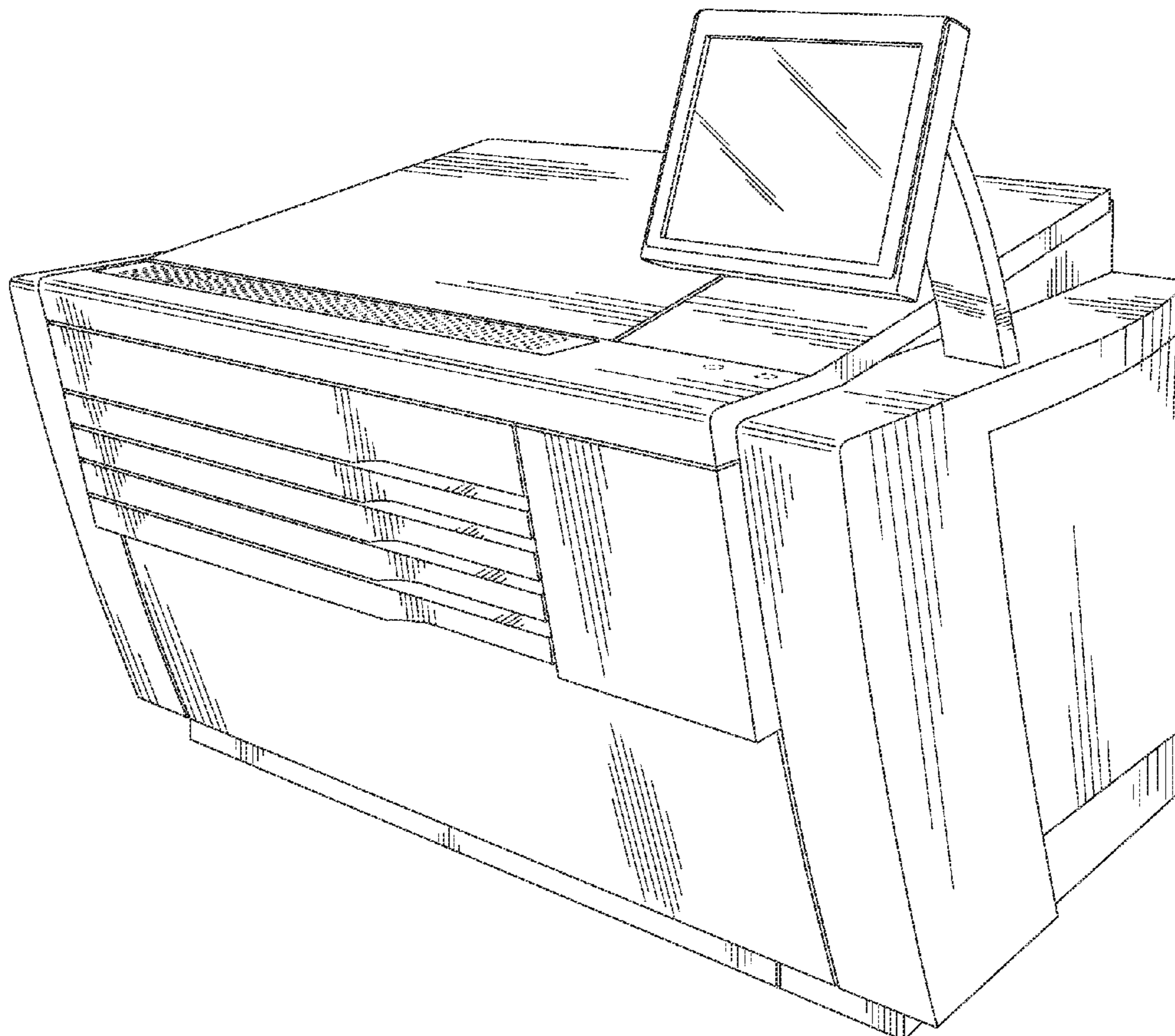
The ornamental design for an operating console for a printing machine, as shown and described.

DESCRIPTION

FIG. 1 is a top rear-right perspective view of an operating console for a printing machine showing my new design; and, FIG. 2 is a front-right perspective view thereof.

The left side of the operating console is a mirror image of the right side thereof.

1 Claim, 2 Drawing Sheets



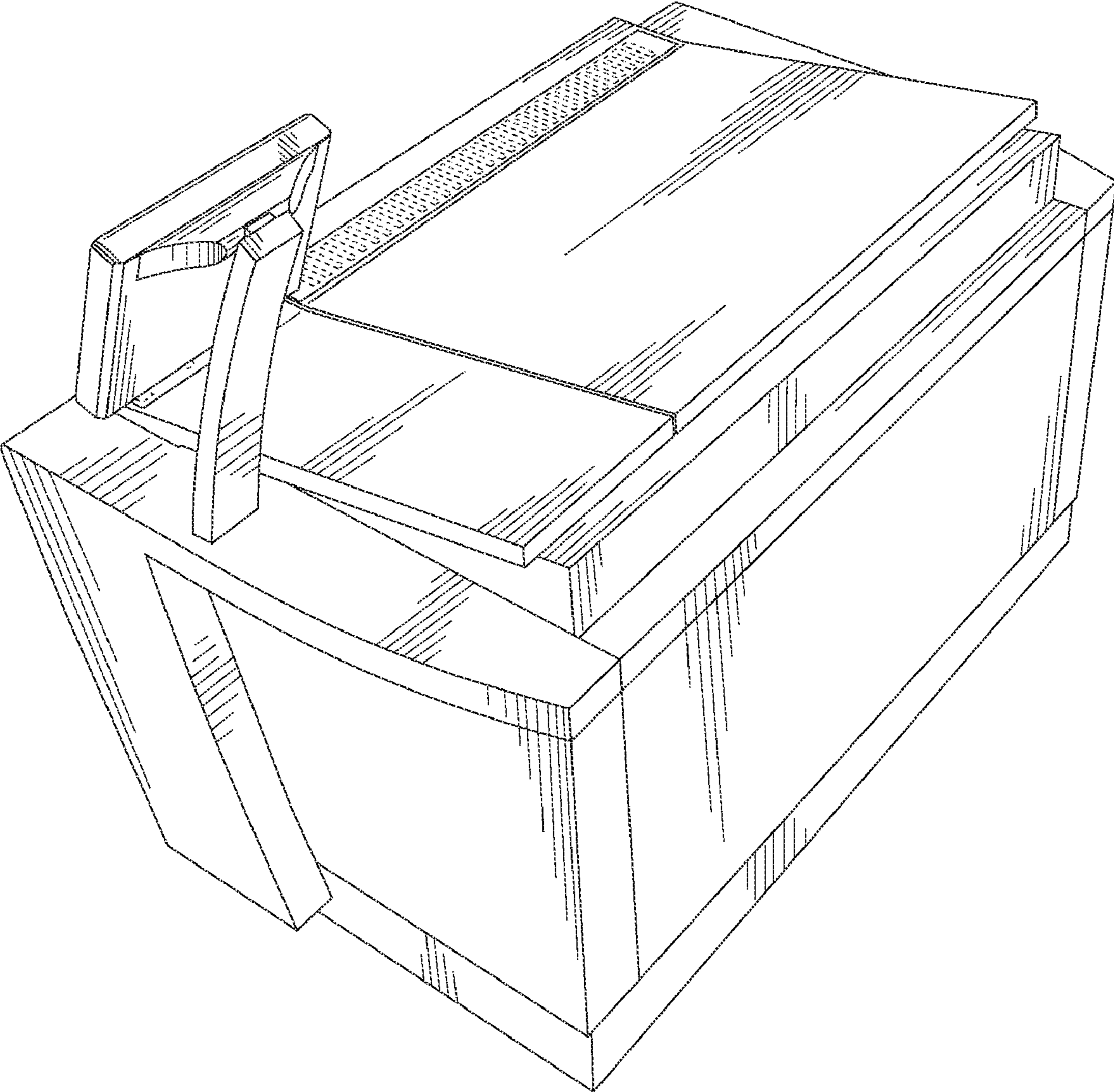


FIG. 1

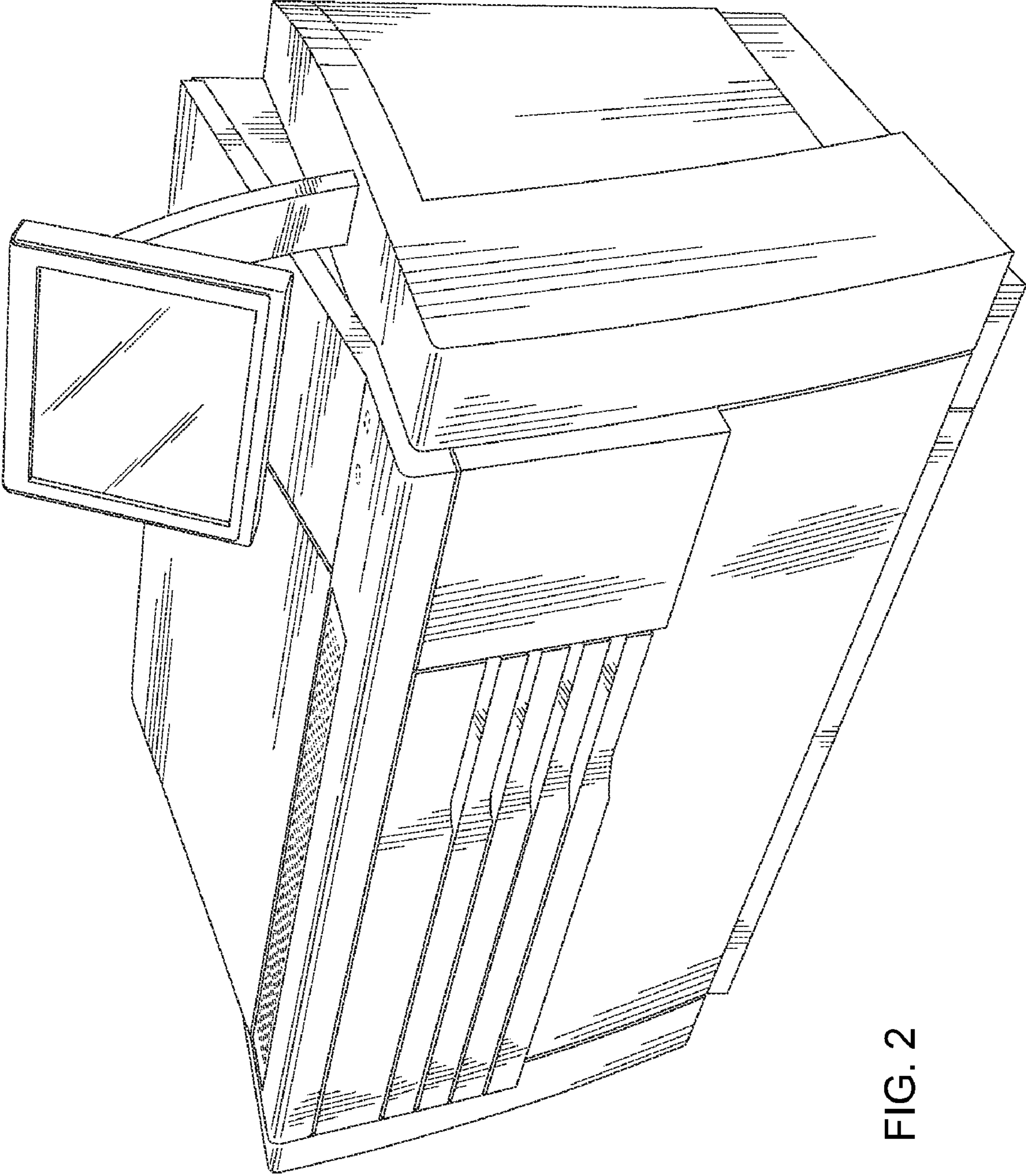


FIG. 2