



US00D605687S

(12) **United States Design Patent**
Dennis

(10) **Patent No.:** **US D605,687 S**
(45) **Date of Patent:** **** Dec. 8, 2009**

(54) **MUSICAL INSTRUMENT VIBRATO MOUNTING ADAPTER PLATE**

(75) Inventor: **Terrance Dennis**, Ringoes, NJ (US)

(73) Assignee: **E.U. Corp.**, Ringoes, NJ (US)

(**) Term: **14 Years**

(21) Appl. No.: **29/338,797**

(22) Filed: **Jun. 18, 2009**

(51) **LOC (9) Cl.** **17-03**

(52) **U.S. Cl.** **D17/21**

(58) **Field of Classification Search** D17/14,
D17/20, 21, 99; 84/267, 290-292

See application file for complete search history.

(56) **References Cited**

U.S. PATENT DOCUMENTS

D32,245	S *	2/1900	Nightingale	D17/99
3,834,266	A *	9/1974	Robinson	84/267
4,867,031	A *	9/1989	Fender	84/313
D356,328	S *	3/1995	Pozzobon	D17/21
6,875,910	B2 *	4/2005	Naimish	84/298

D523,467	S *	6/2006	Riopelle et al.	D17/99
2008/0141843	A1 *	6/2008	Thompson	84/313

* cited by examiner

Primary Examiner—Ian Simmons

Assistant Examiner—R. Johnson

(74) *Attorney, Agent, or Firm*—Lawrence E. Lambelet, Jr.

(57) **CLAIM**

The ornamental design for a musical instrument vibrato mounting adapter plate, as shown and described.

DESCRIPTION

FIG. 1: is a front perspective view of a musical instrument vibrato mounting adapter plate showing my new design;

FIG. 2: is a front view thereof;

FIG. 3: is a back view thereof;

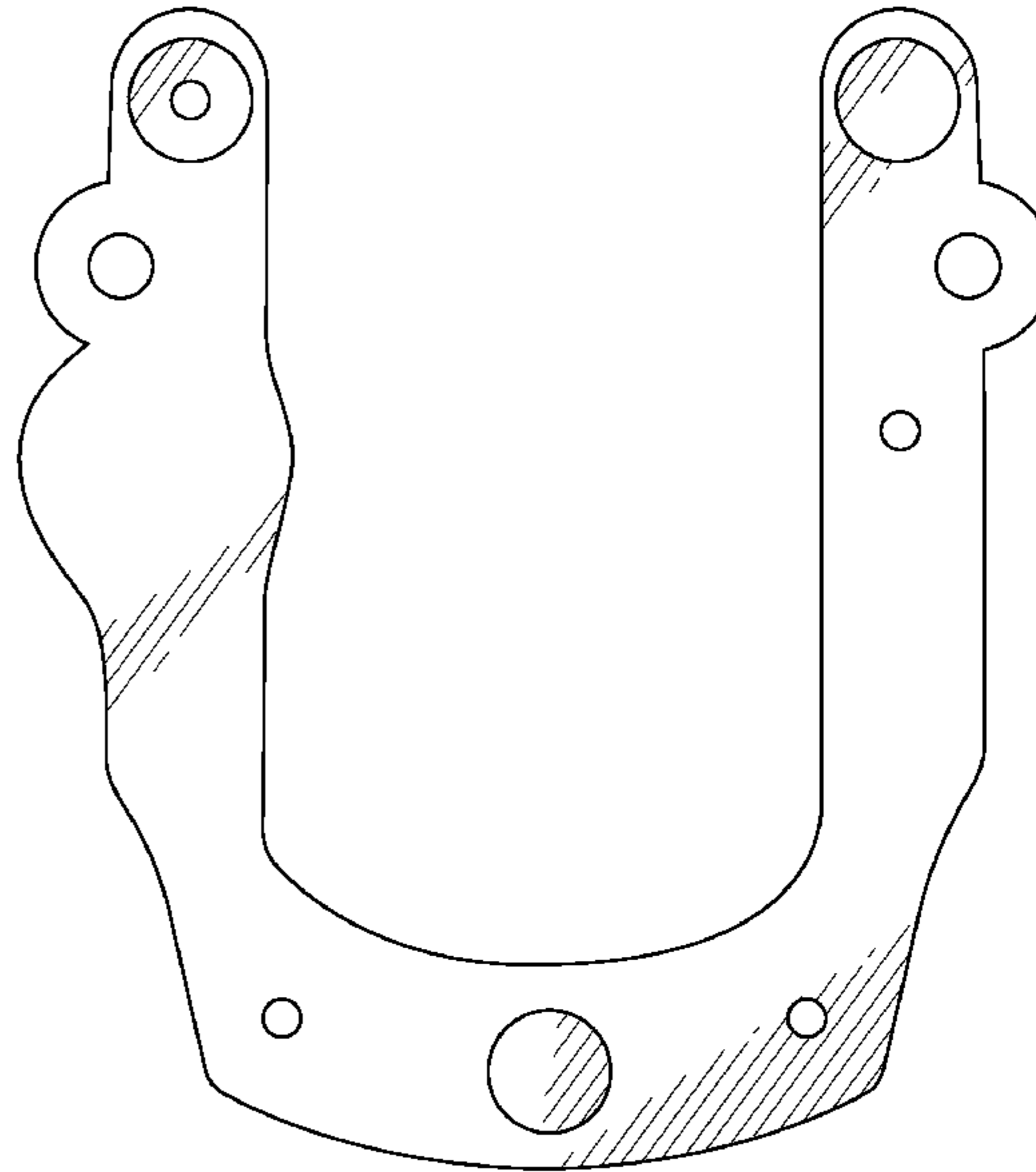
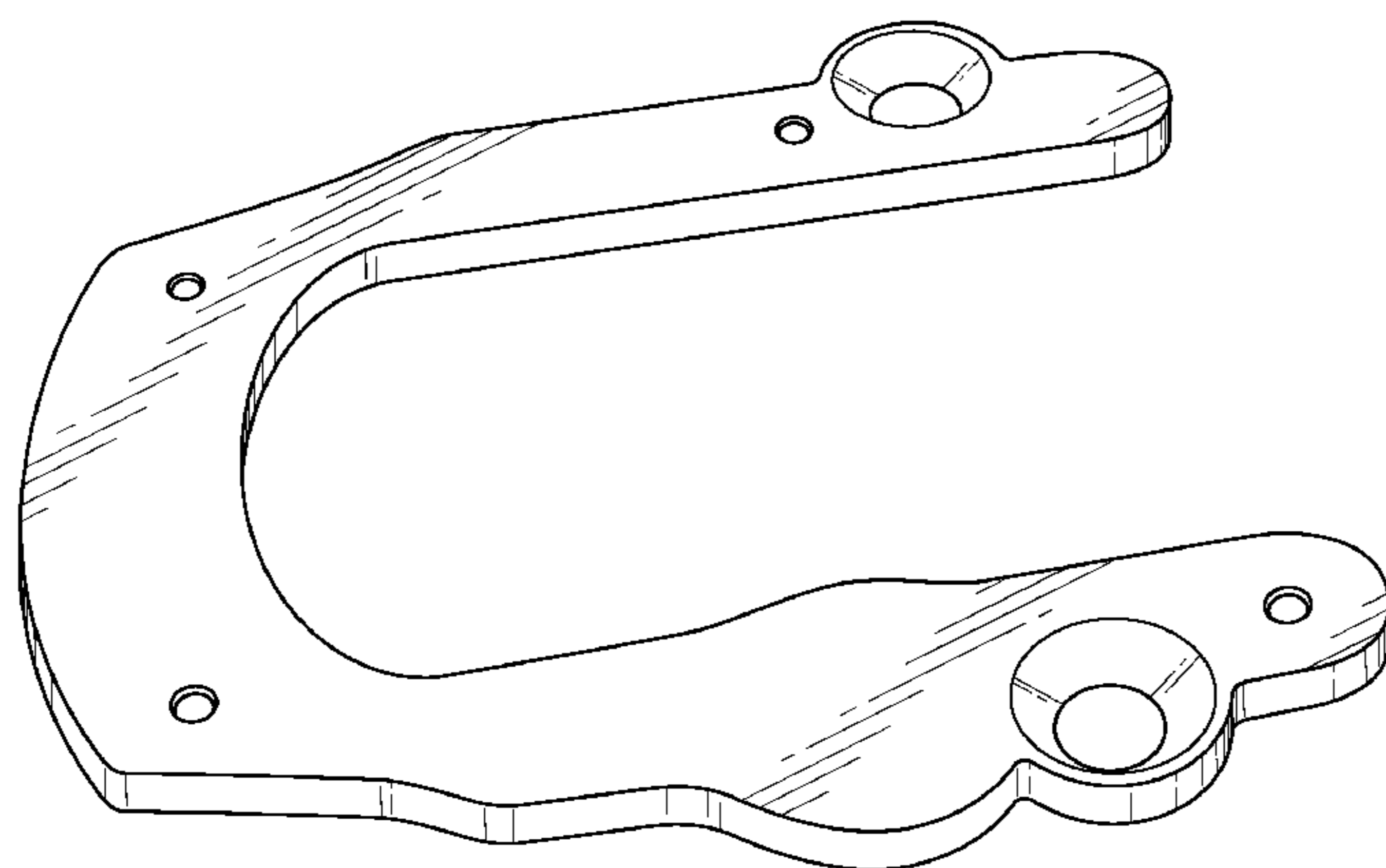
FIG. 4: is a left side view thereof;

FIG. 5: is a right side view thereof;

FIG. 6: is a bottom view thereof; and,

FIG. 7: is a top view thereof.

1 Claim, 5 Drawing Sheets



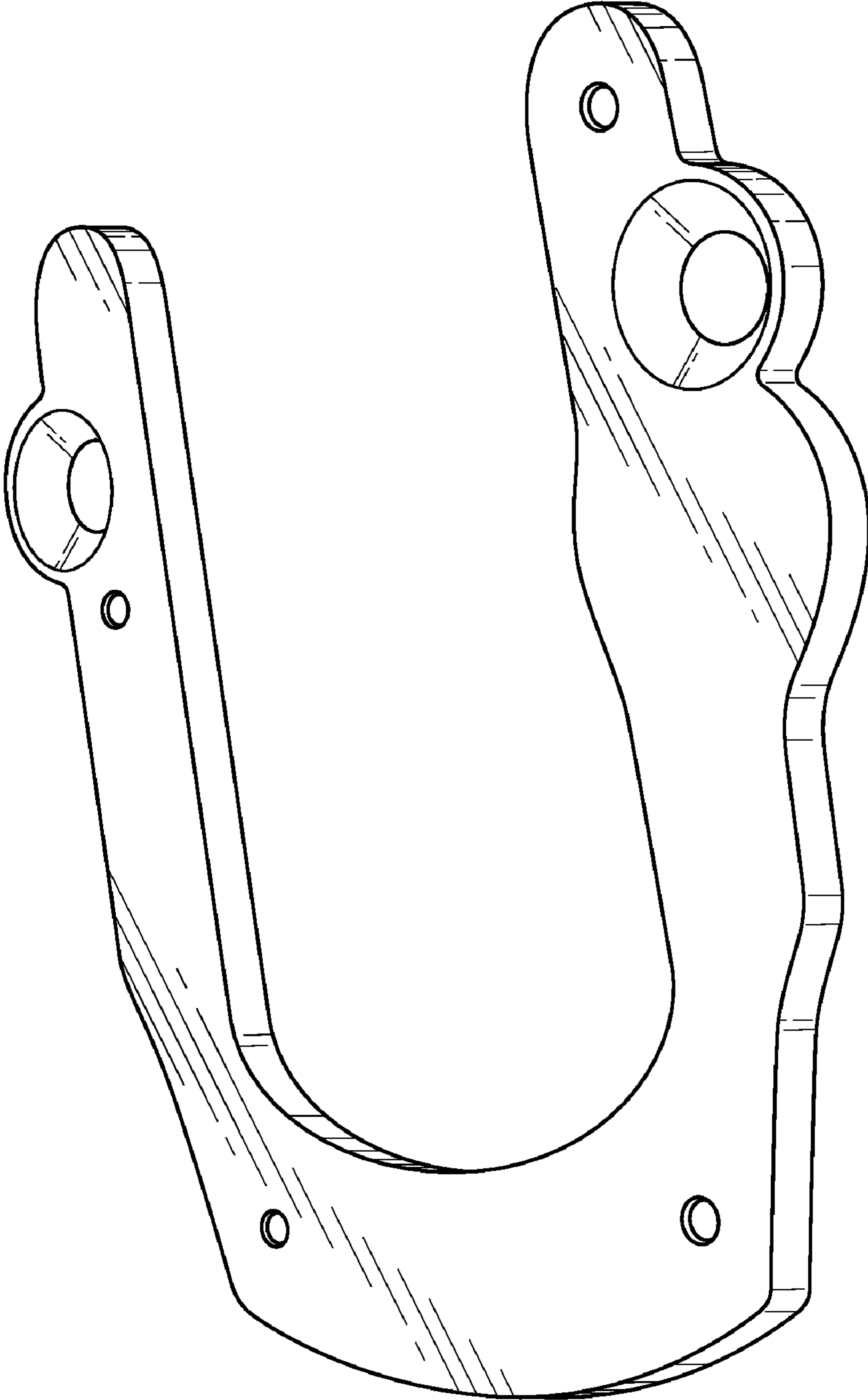


Fig. 1

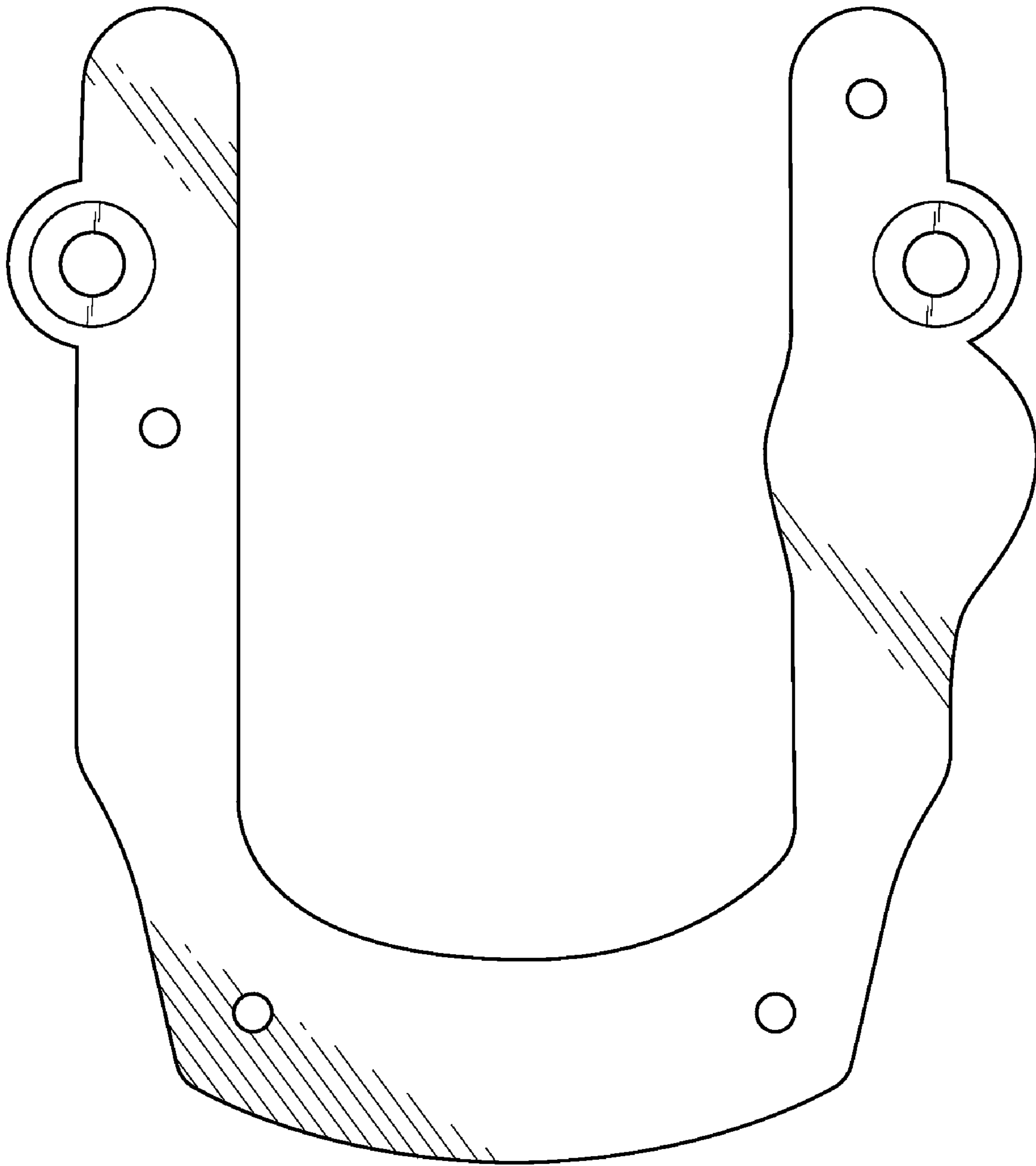


Fig. 2

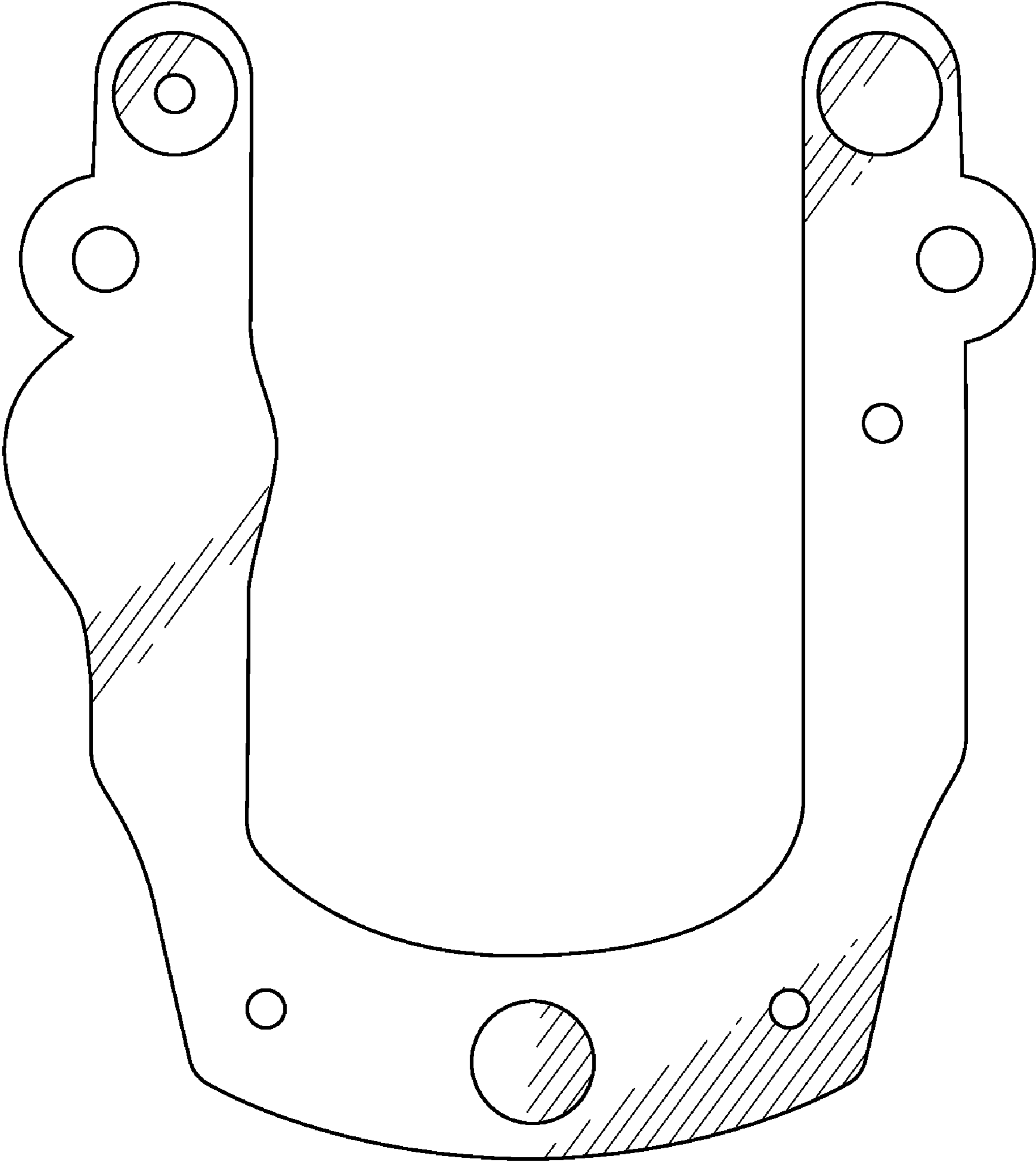


Fig. 3

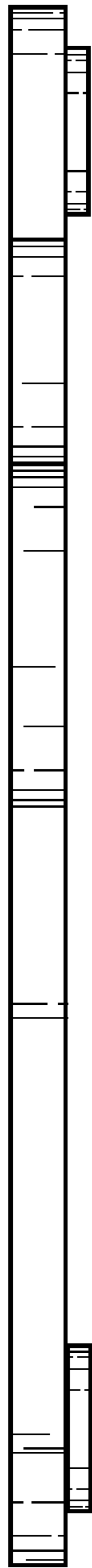


Fig. 4



Fig. 5

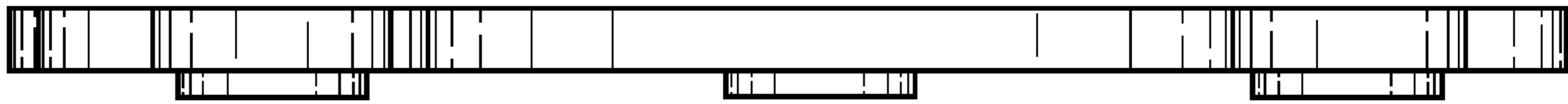


Fig. 6



Fig. 7

UNITED STATES PATENT AND TRADEMARK OFFICE
CERTIFICATE OF CORRECTION

PATENT NO. : Des. 605,687 S
APPLICATION NO. : 29/338797
DATED : December 8, 2009
INVENTOR(S) : Terrance Dennis

Page 1 of 1

It is certified that error appears in the above-identified patent and that said Letters Patent is hereby corrected as shown below:

Title page, item (73) Assignee: should read as follows

U.E. Corp., Ringoes, NJ (US)

Signed and Sealed this

Nineteenth Day of January, 2010

A handwritten signature in black ink that reads "David J. Kappos". The signature is written in a cursive, flowing style.

David J. Kappos
Director of the United States Patent and Trademark Office