



US00D605685S

(12) **United States Design Patent**  
**Scott**

(10) **Patent No.:** **US D605,685 S**

(45) **Date of Patent:** **\*\* Dec. 8, 2009**

(54) **CAMERA MOUNT**

2006/0197001 A1 9/2006 Parker et al.

(76) Inventor: **L. Dean Scott**, 12170 Highway 63  
South, Lucedale, MS (US) 39453

\* cited by examiner

(\*\*) Term: **14 Years**

*Primary Examiner*—Ian Simmons  
*Assistant Examiner*—Wan Laymon  
(74) *Attorney, Agent, or Firm*—Stephen R. Greiner

(21) Appl. No.: **29/309,424**

(22) Filed: **Aug. 15, 2008**

(57) **CLAIM**

(51) **LOC (9) Cl.** ..... **16-05**

The ornamental design for a camera mount, as shown and described.

(52) **U.S. Cl.** ..... **D16/242; D16/245**

(58) **Field of Classification Search** ..... D16/242–245;  
D8/354–355, 363, 373; 248/126, 121, 122.1,  
248/168, 185.1, 187.1, 538, 176.1; 352/178,  
352/243; 396/419, 421, 426, 428

**DESCRIPTION**

See application file for complete search history.

FIG. 1 is a perspective view of a camera mount showing my new design;

FIG. 2 is an enlarged, right side elevational view thereof;

FIG. 3 is an enlarged, front elevational view thereof;

FIG. 4 is an enlarged, left side elevational view thereof;

FIG. 5 is an enlarged, rear elevational view thereof;

FIG. 6 is an enlarged, top view thereof; and,

FIG. 7 is an enlarged, bottom view thereof.

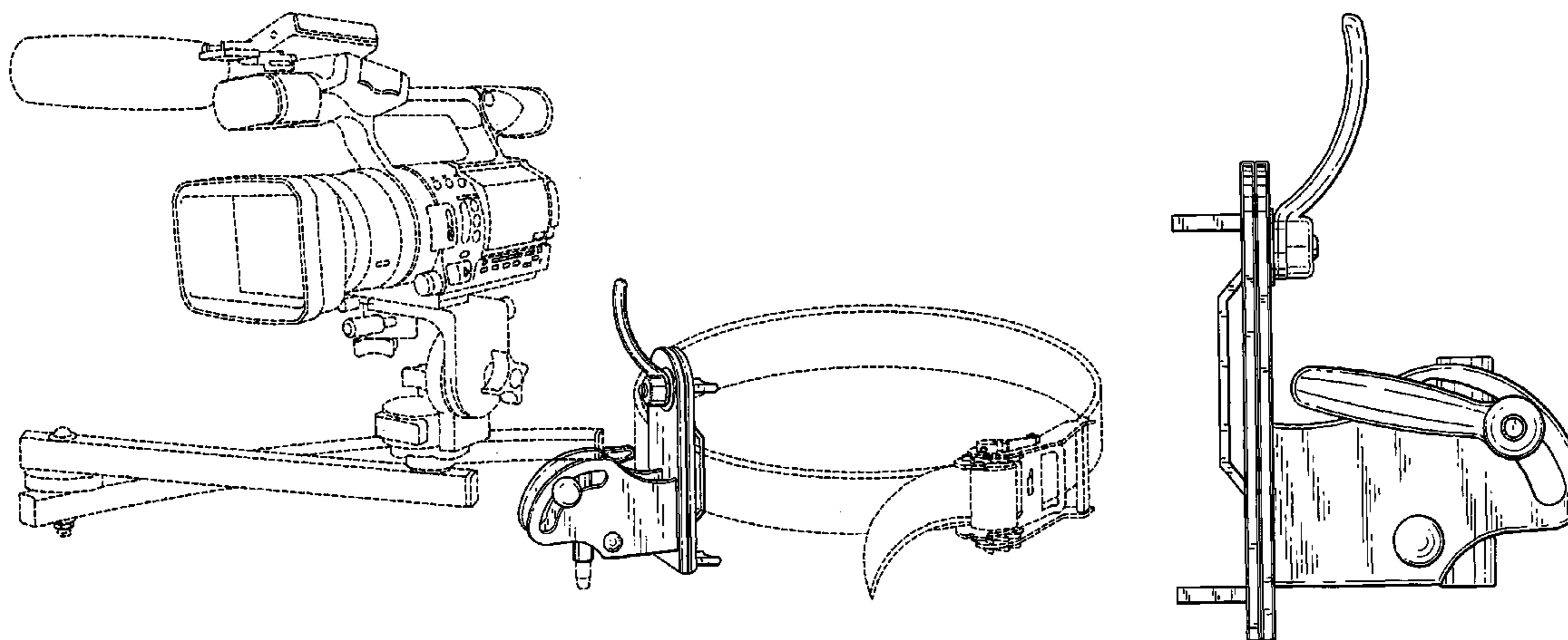
The broken lines in FIG. 1 showing: a retaining strap extending from the rear of the camera mount, a support arm extending from the front of the camera mount, and a video camera at the outer end of the support arm are for demonstrative purposes only and form no part of the claimed design.

(56) **References Cited**

**U.S. PATENT DOCUMENTS**

D363,945	S	*	11/1995	LaBree	.....	D16/242
5,497,214	A		3/1996	Labree		
5,622,342	A		4/1997	Mills		
5,649,257	A		7/1997	Kempka		
5,723,808	A		3/1998	Devall		
5,791,609	A	*	8/1998	Hankins	.....	248/124.1
5,823,658	A	*	10/1998	Doddy	.....	362/191
6,478,272	B1		11/2002	McKinsey et al.		
6,694,661	B1		2/2004	Langford		
D527,756	S	*	9/2006	Parker et al.	.....	D16/242
D591,324	S	*	4/2009	Sukhov	.....	D16/242

**1 Claim, 4 Drawing Sheets**



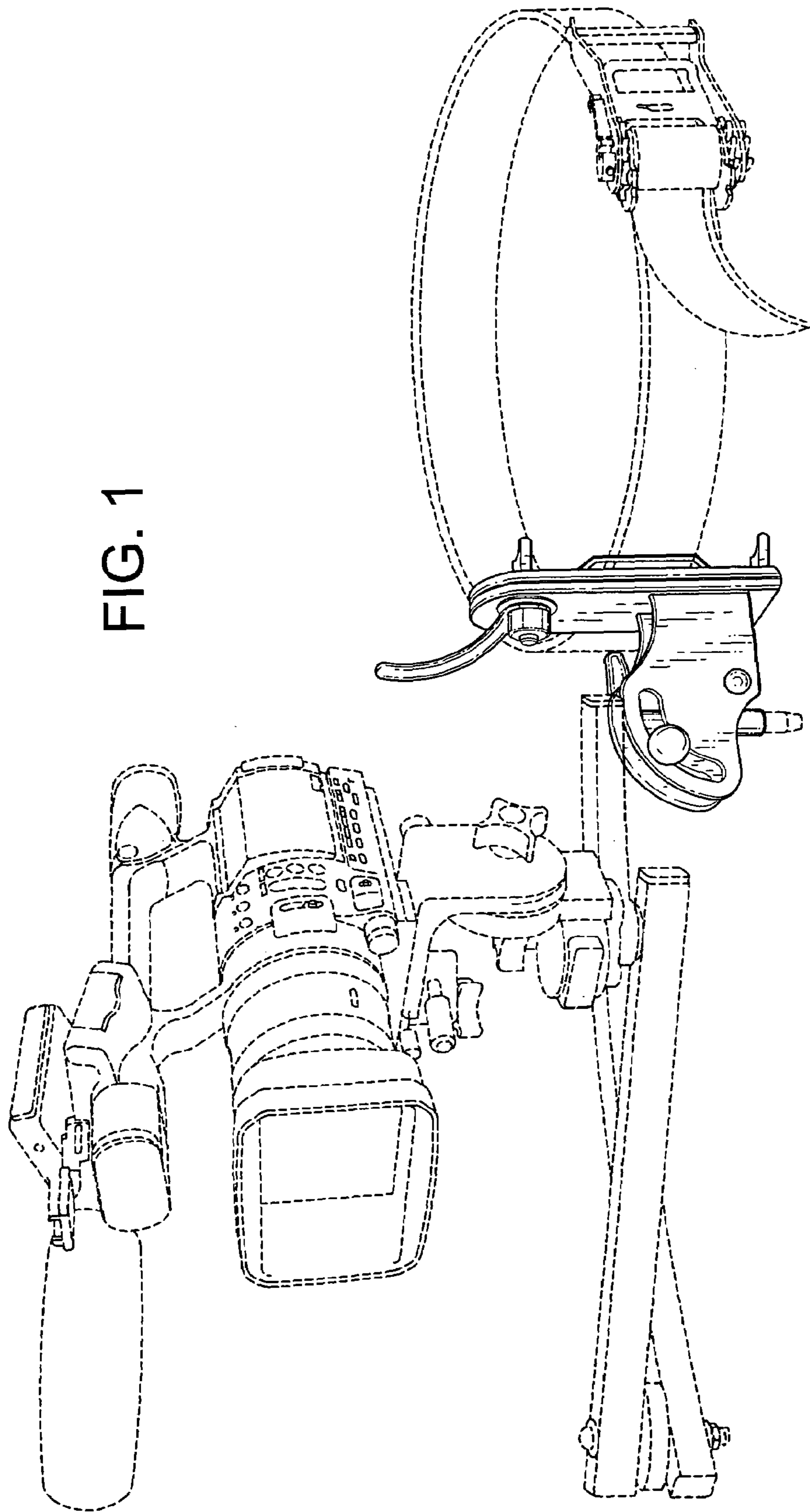


FIG. 1

FIG. 3

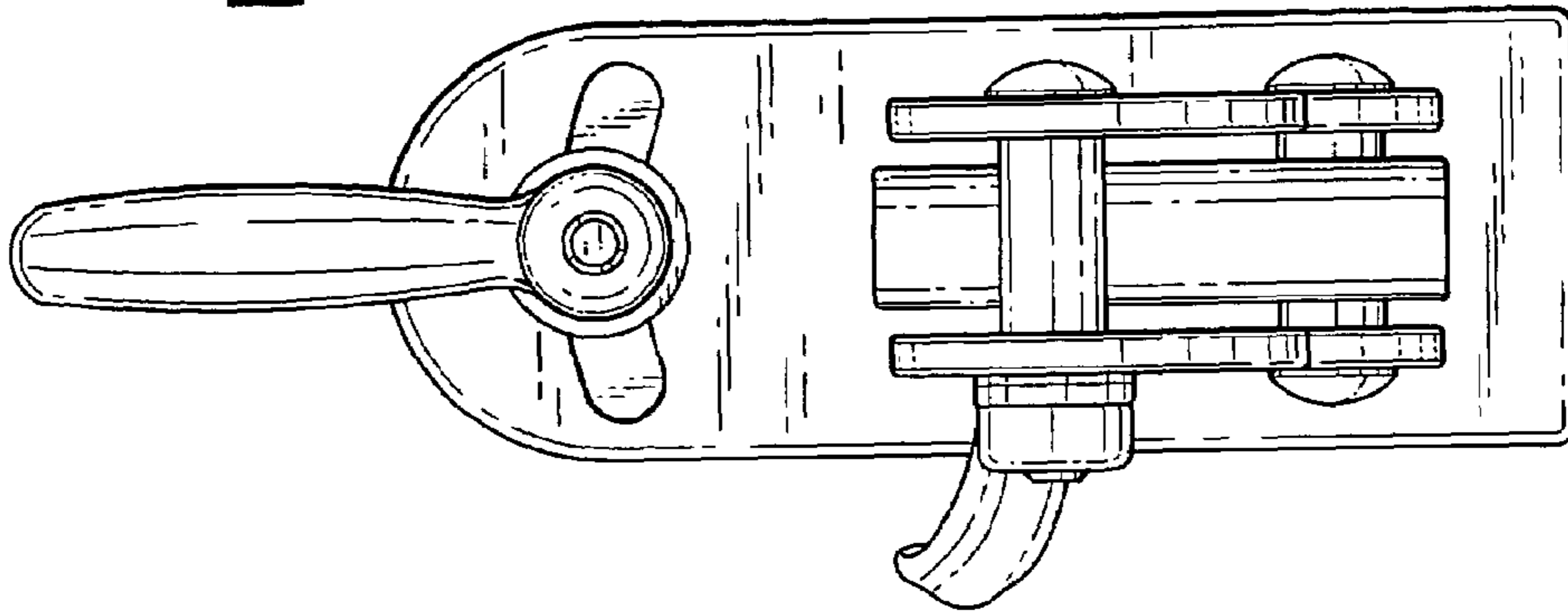


FIG. 2

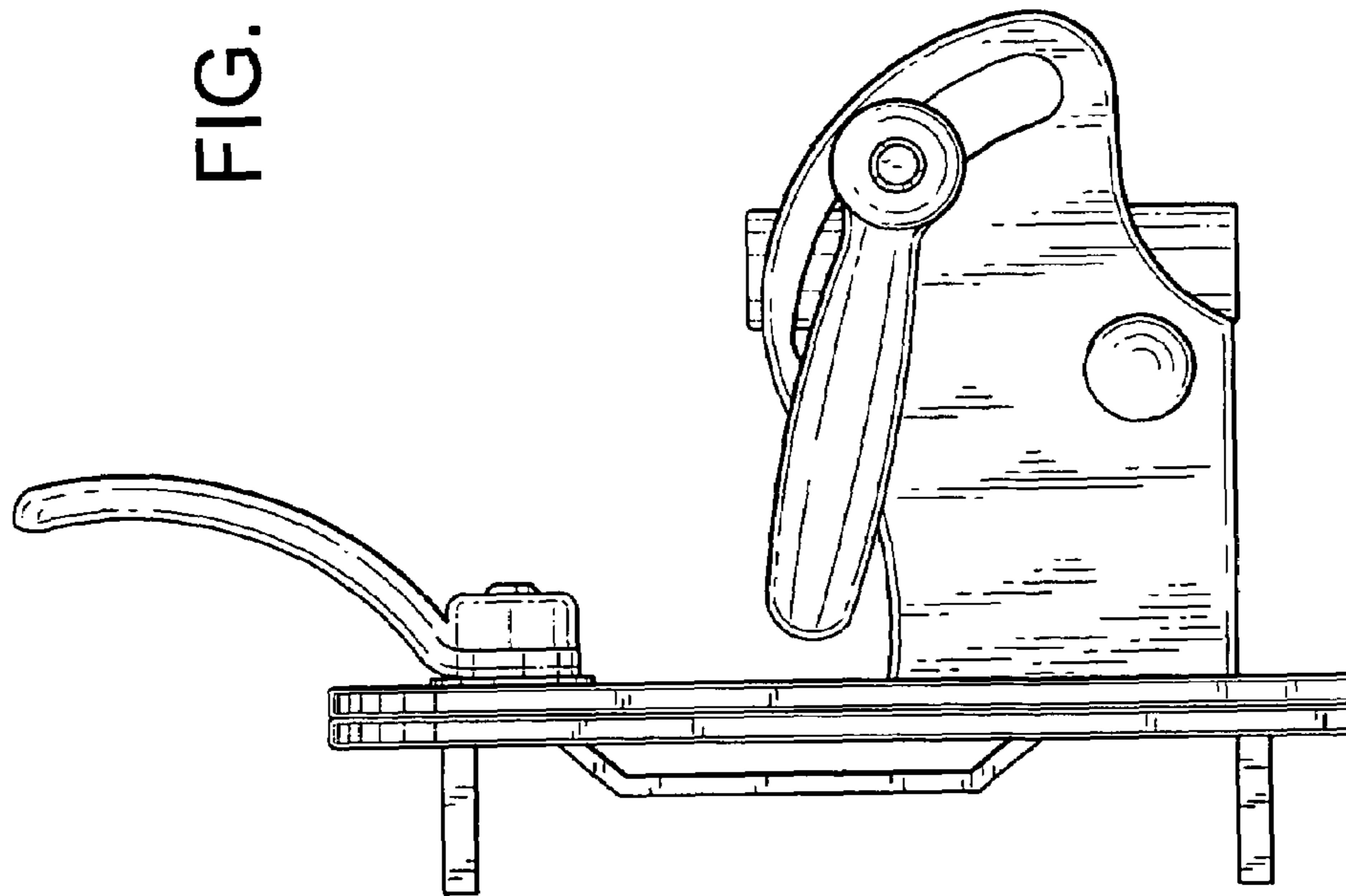


FIG. 5

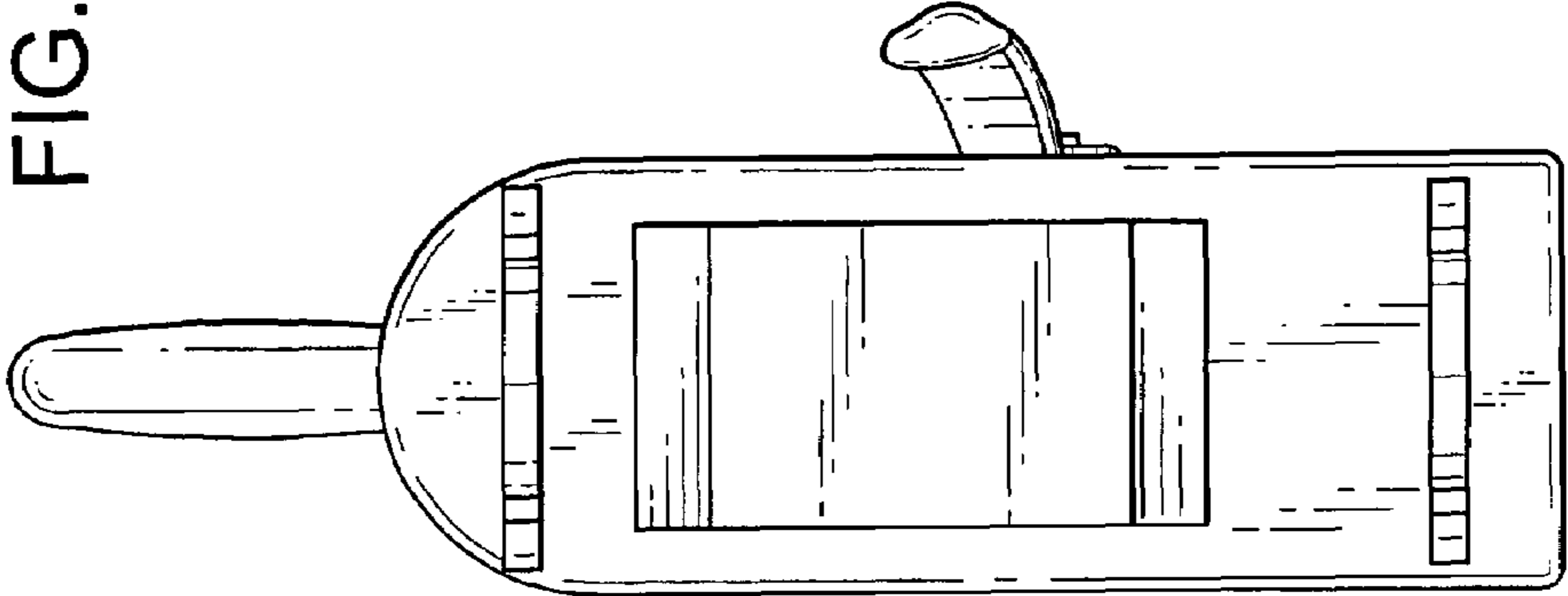


FIG. 4

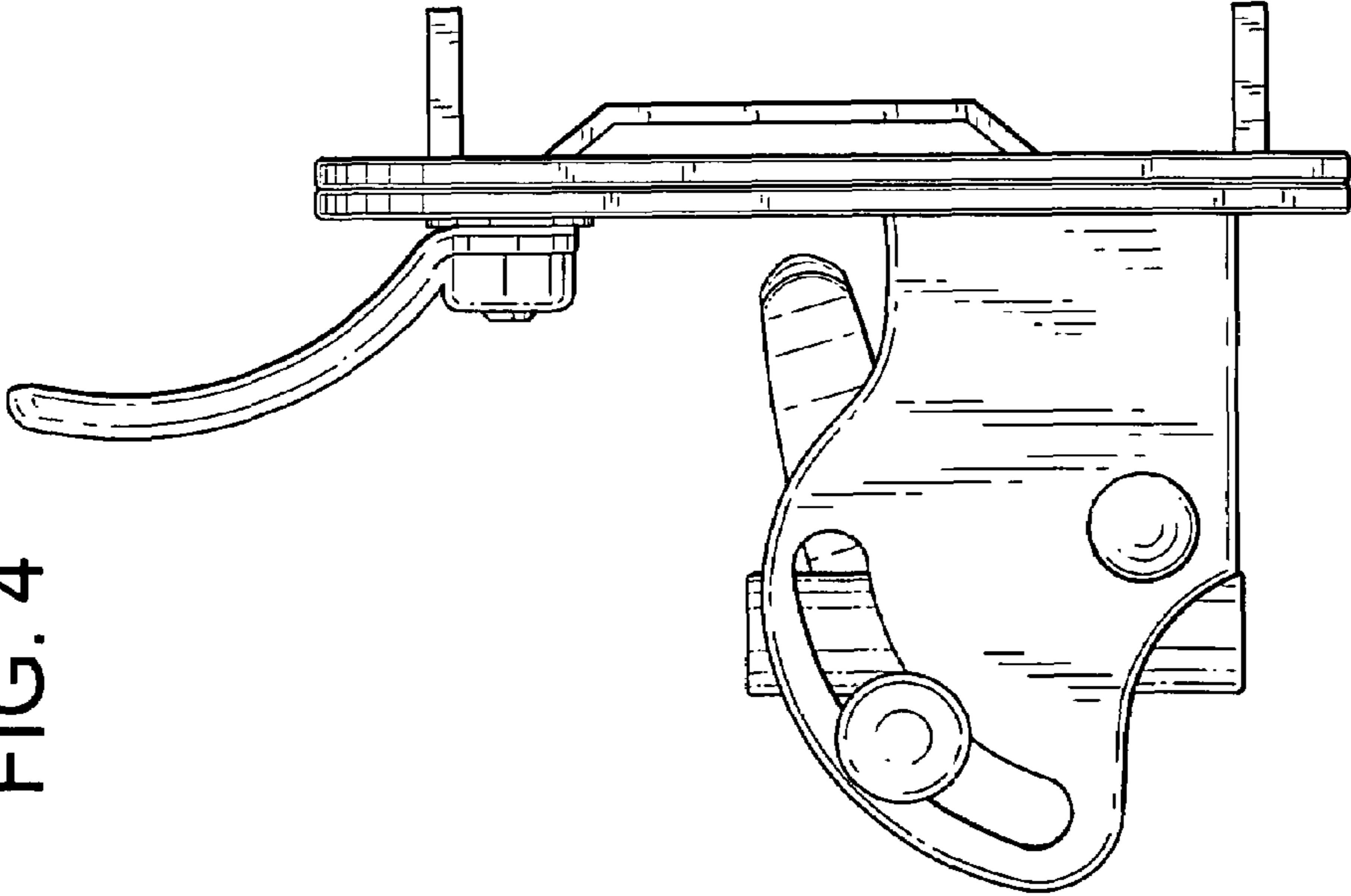


FIG. 7

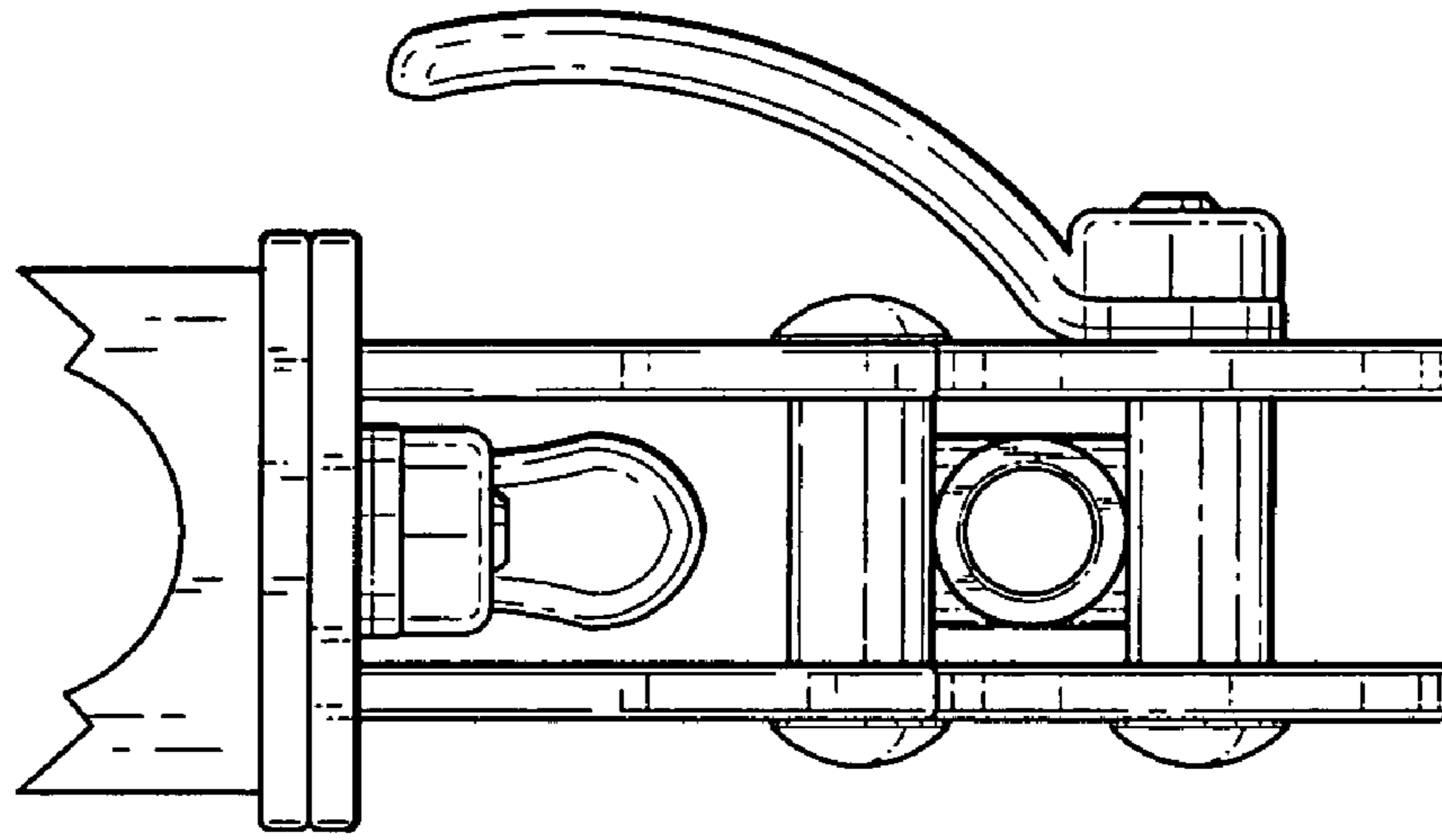


FIG. 6

